

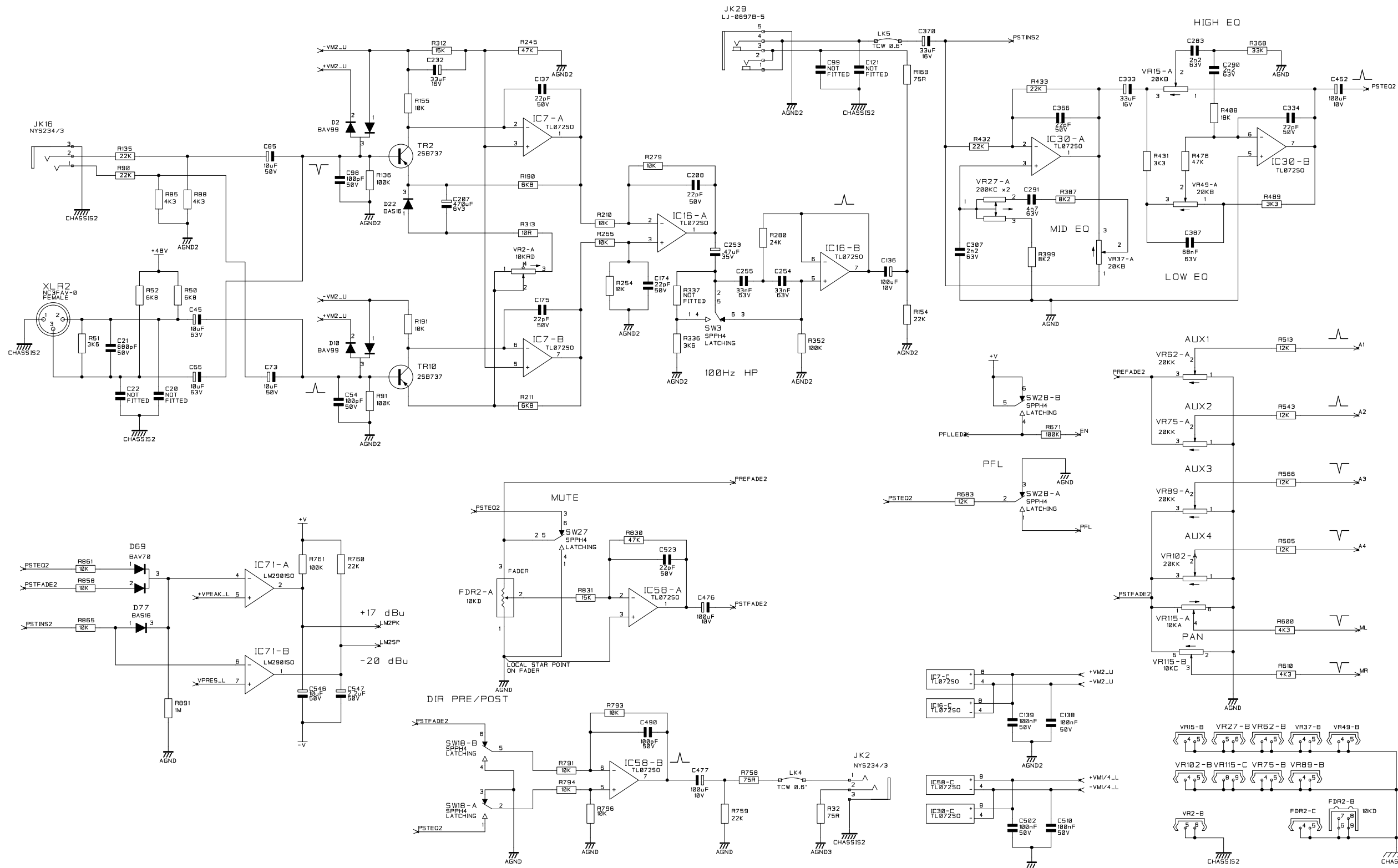
SOUNDCRAFT OWN THE COPYRIGHT OF THIS DRAWING WHICH IS NOT TO BE COPIED, REPRODUCED OR DISCLOSED, IN PART OR WHOLE TO A THIRD PARTY WITHOUT PRIOR WRITTEN PERMISSION.

SOUNDCRAFT
HARMAN INT. INDUSTRIES LTD.
CRANBORNE HOUSE,
CRANBORNE ROAD,
POTTERS BAR,
HERTS. EN9 3JN.
TEL: 01707 665000
FAX: 01707 660482

NOTES

DRN.	CN No.	INITIAL	DATE	ISSUE
MSW	PRE-PROD	MSW	09-01-01	05A
DATE	09-01-01			
MASTER IF RED				

TITLE	SPIRIT M8	
DRG NO.	ED4097-05A	SHT. 1 OF 19

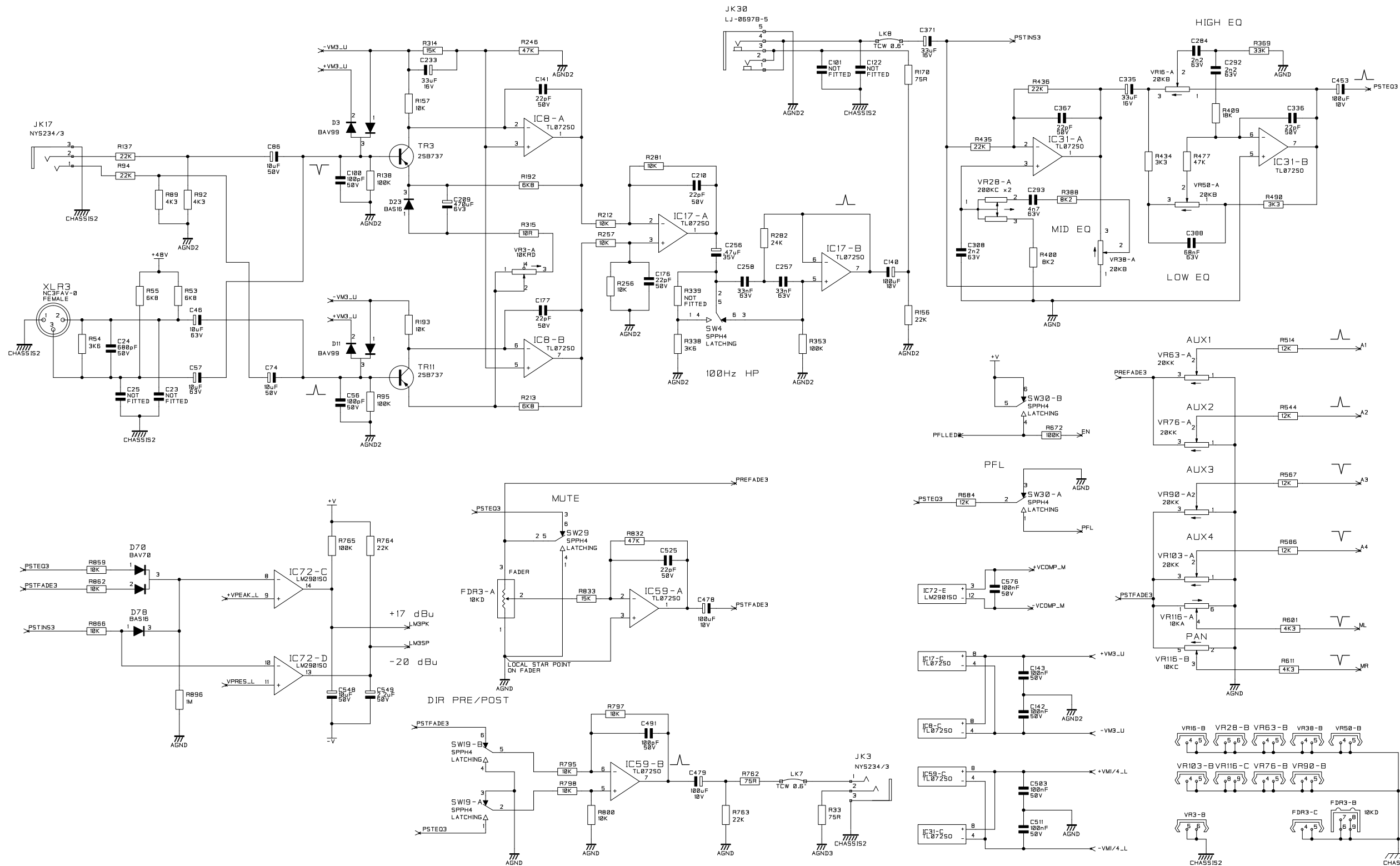


SOUNDCRAFT OWN THE COPYRIGHT OF THIS DRAWING WHICH IS NOT TO BE COPIED, REPRODUCED OR DISCLOSED, IN PART OR WHOLE TO A THIRD PARTY WITHOUT PRIOR WRITTEN PERMISSION.

SOUNDCRAFT
HARMAN INT. INDUSTRIES LTD.
CRANBORNE HOUSE,
CRANBORNE ROAD,
POTTERS BAR,
HERTS. EN9 3JN.
TEL: 01707 665000
FAX: 01707 660482

NOTES

DRN.	MSW	CN No.	INITIAL	DATE	ISSUE	TITLE
DATE	09-01-01	PRE-PROD	MSW	09-01-01	05A	SPIRIT M8 MONO INPUT CHANNEL 2
MASTER IF RED						DRG NO. ED4097-05A
						SHT. 3 OF 19

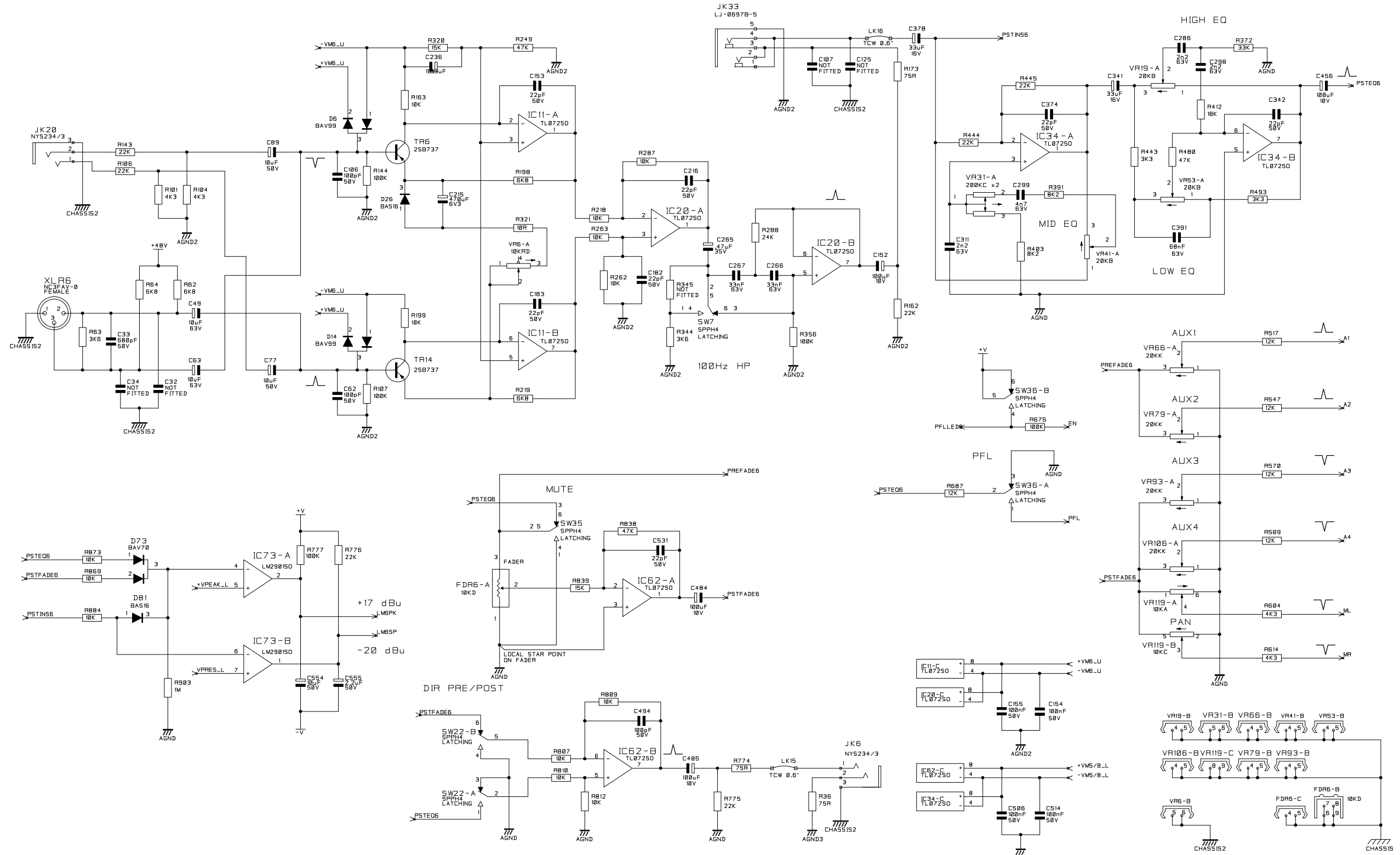


SOUNDCRAFT OWN THE COPYRIGHT OF THIS DRAWING WHICH IS NOT TO BE COPIED, REPRODUCED OR DISCLOSED, IN PART OR WHOLE TO A THIRD PARTY WITHOUT PRIOR WRITTEN PERMISSION.

SOUNDCRAFT
HARMAN INT. INDUSTRIES LTD.
CRANBORNE HOUSE,
CRANBORNE ROAD,
POTTERS BAR,
HERTS. EN9 3JN.
TEL: 01707 665000
FAX: 01707 660482

NOTES

DRN.	CN No.	INITIAL	DATE	ISSUE	TITLE
MSW	PRE-PROD	MSW	09-01-01	05A	SPIRIT M8 MONO INPUT CHANNEL 3
DATE	09-01-01				
MASTER IF RED					
DRG NO. ED4097-05A					SHT. 4 OF 19

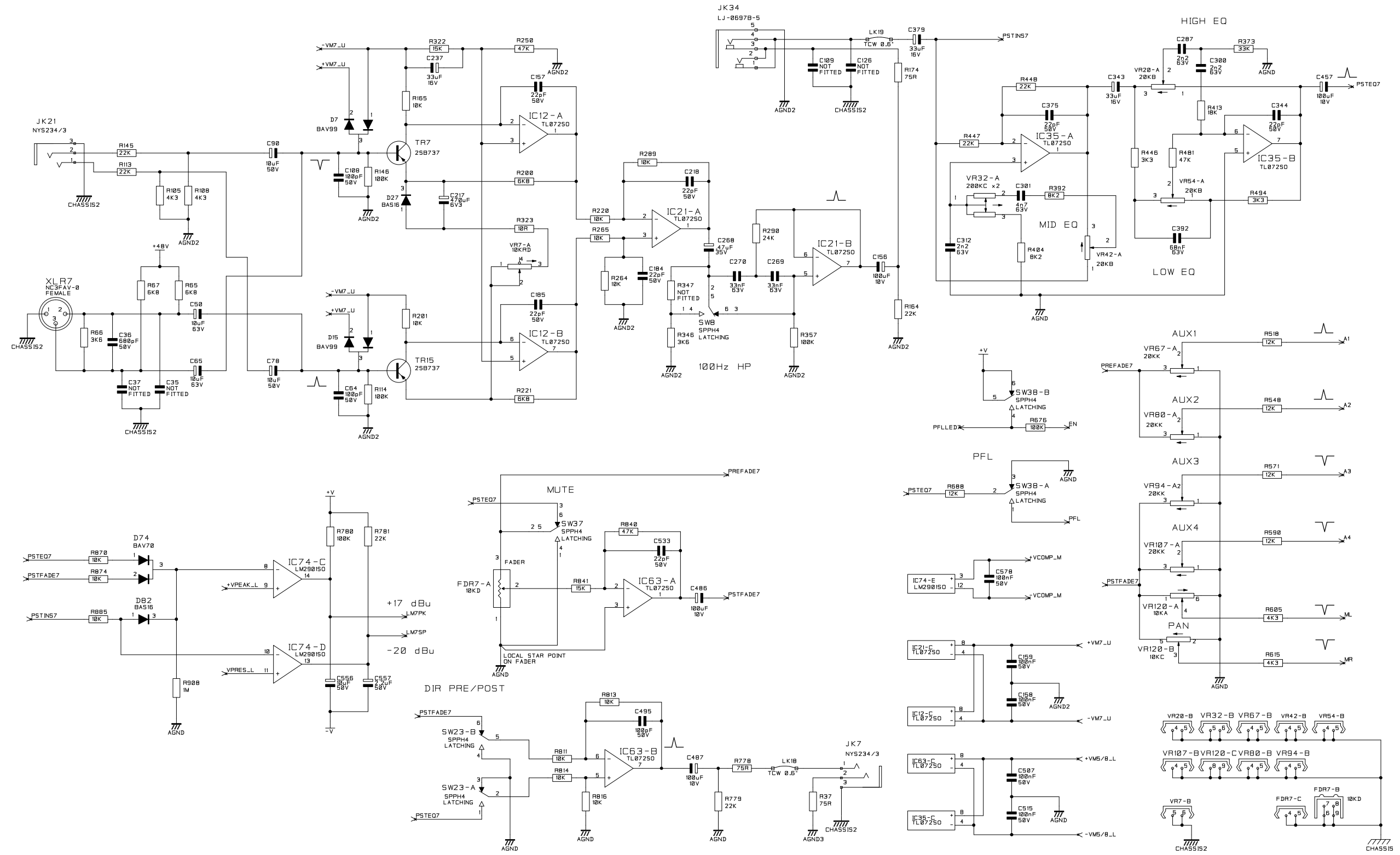


SOUNDCRAFT OWN THE COPYRIGHT OF THIS DRAWING WHICH IS NOT TO BE COPIED, REPRODUCED OR DISCLOSED, IN PART OR WHOLE TO A THIRD PARTY WITHOUT PRIOR WRITTEN PERMISSION.

SOUNDCRAFT
HARMAN INT. INDUSTRIES LTD.
CRANBORNE HOUSE,
CRANBORNE ROAD,
POTTERS BAR,
HERTS. EN9 3JN.
TEL: 01707 665000
FAX: 01707 660482

NOTES

DRN.	MSW	CN No.	INITIAL	DATE	ISSUE	TITLE
DATE	09-01-01	PRE-PROD	MSW	09-01-01	05A	SPIRIT M8 MONO INPUT CHANNEL 6
MASTER IF RED						DRG NO. ED4097-05A
						SHT. 7 OF 19

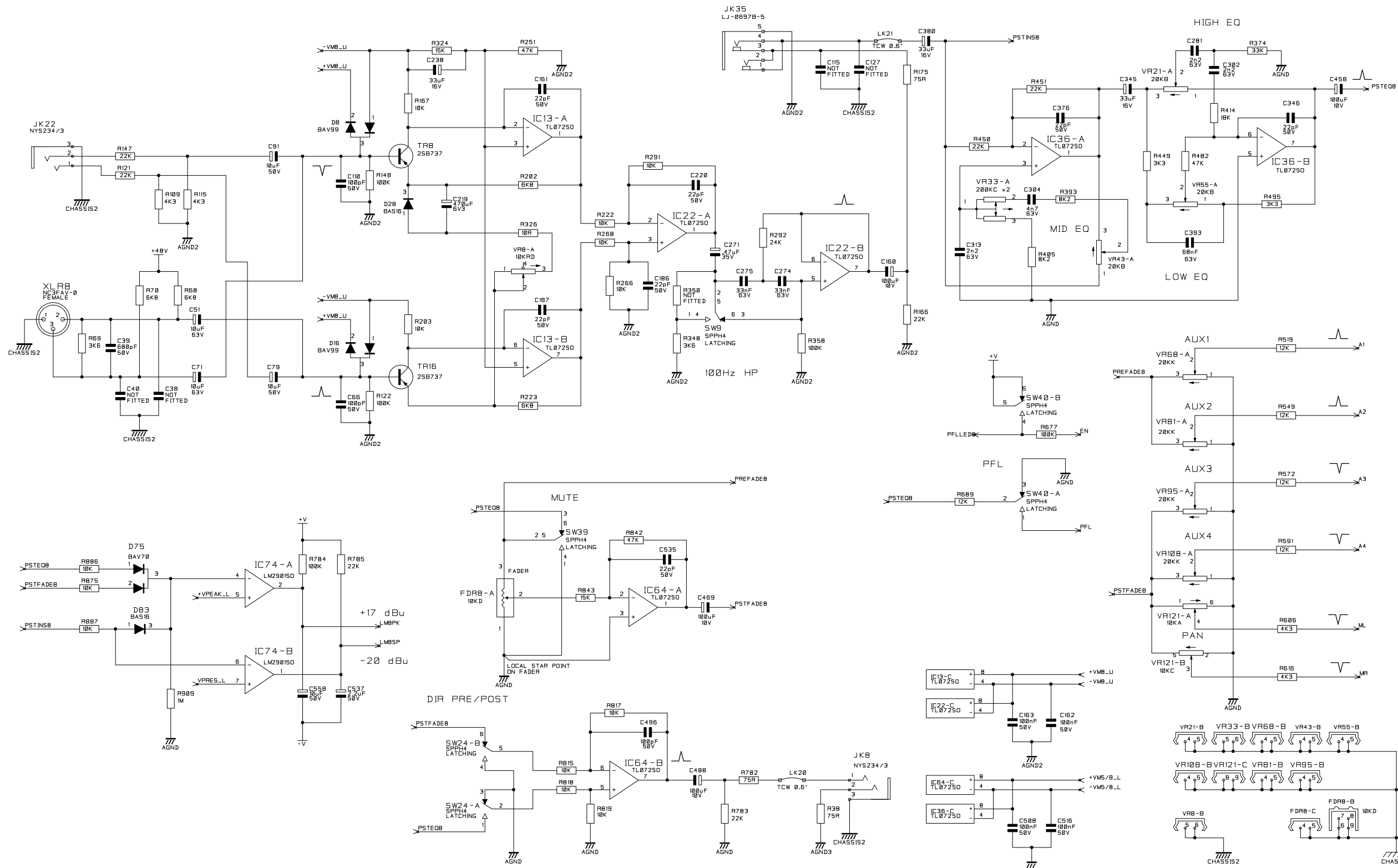


SOUNDCRAFT OWN THE COPYRIGHT OF THIS DRAWING WHICH IS NOT TO BE COPIED, REPRODUCED OR DISCLOSED, IN PART OR WHOLE TO A THIRD PARTY WITHOUT PRIOR WRITTEN PERMISSION.

SOUNDCRAFT
HARMAN INT. INDUSTRIES LTD.
CRANBORNE HOUSE,
CRANBORNE ROAD,
POTTERS BAR,
HERTS. EN9 3JN.
TEL: 01707 665000
FAX: 01707 660482

NOTES

DRN.	MSW	CN No.	PRE-PROD	INITIAL	MSW	DATE	09-01-01	ISSUE	05A	TITLE SPIRIT M8 MONO INPUT CHANNEL 7
DATE	09-01-01									
MASTER IF RED										
DRG NO. ED4097-05A										SHT. 8 OF 19

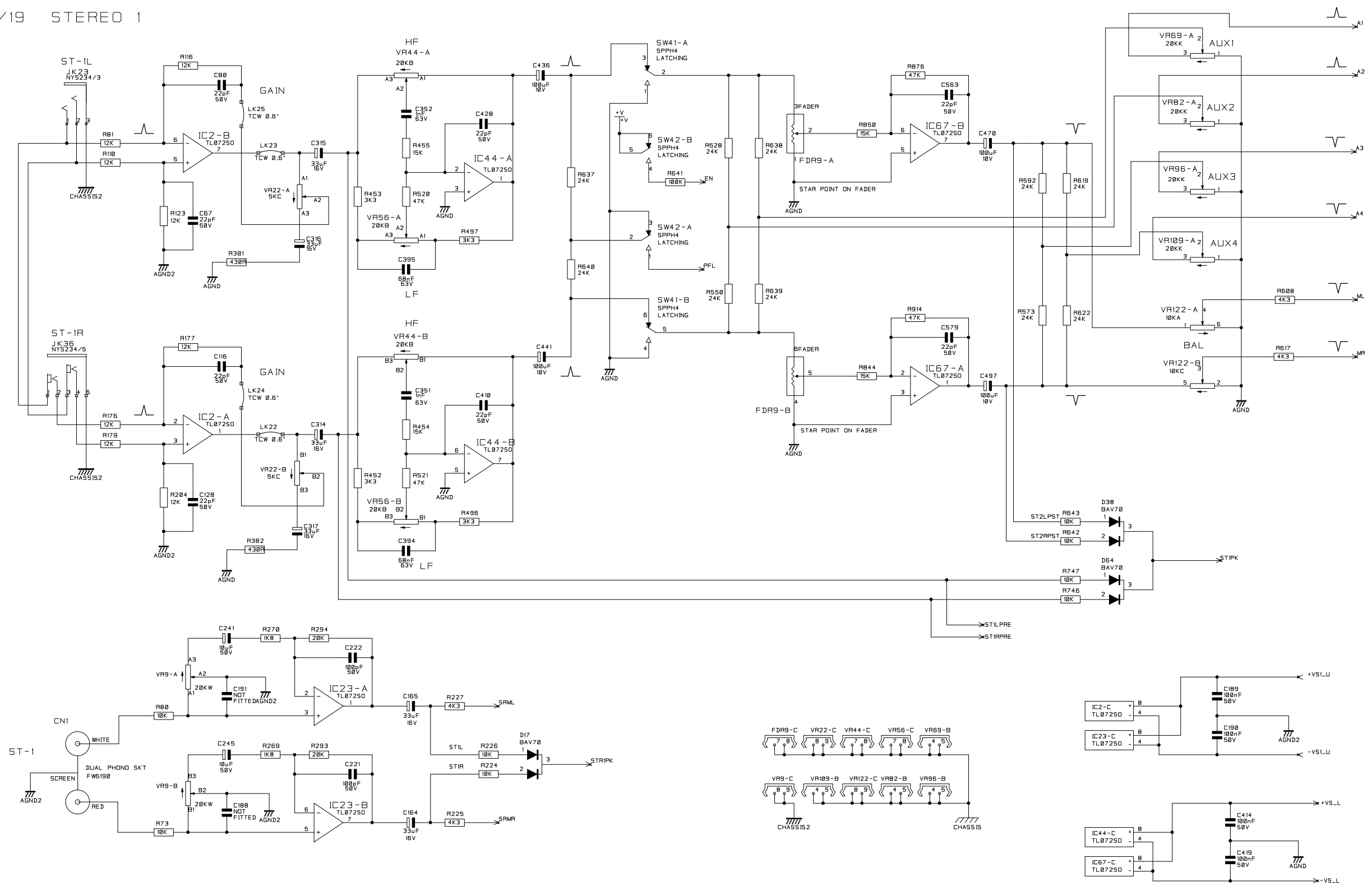


SOUNDCRAFT OWN THE COPYRIGHT OF THIS DRAWING WHICH IS NOT TO BE COPIED, REPRODUCED OR DISCLOSED, IN PART OR WHOLE TO A THIRD PARTY WITHOUT PRIOR WRITTEN PERMISSION.

SOUNDCRAFT
HARMAN INT. INDUSTRIES LTD.
CRANBORNE HOUSE,
CRANBORNE ROAD,
POTTERS BAR,
HERTS. EN9 3JN.
TEL: 01707 665000
FAX: 01707 660482

NOTES

DRN.	MSW	CN No.	INITIAL	DATE	ISSUE	TITLE
DATE	09-01-01	PRE-PROD	MSW	09-01-01	05A	SPiRiT M8 MONO INPUT CHANNEL 8
MASTER IF RED						DRG NO. ED4097-05A
						SHT. 9 OF 19

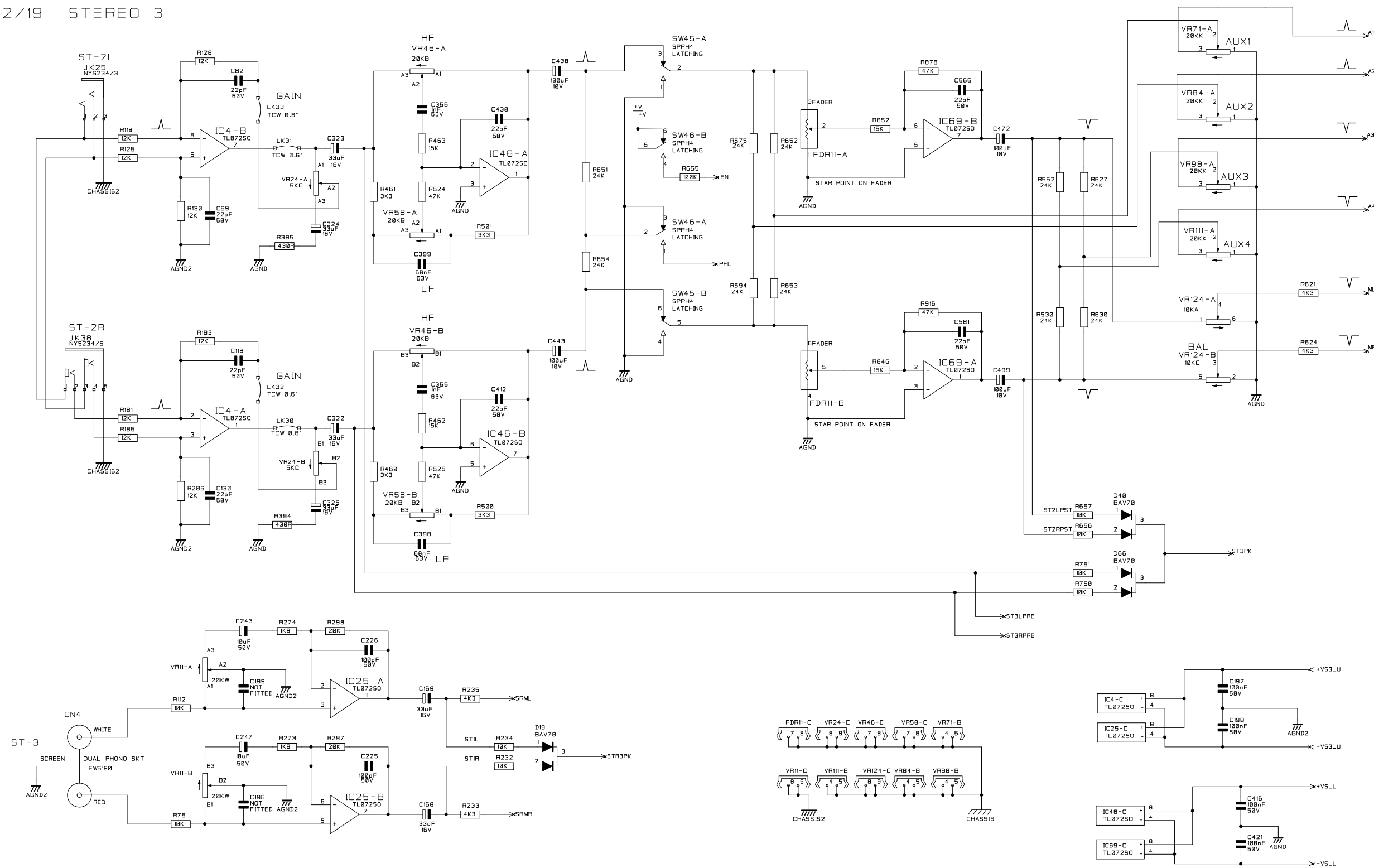


SOUNDCRAFT OWN THE COPYRIGHT OF THIS DRAWING WHICH IS NOT TO BE COPIED, REPRODUCED OR DISCLOSED, IN PART OR WHOLE TO A THIRD PARTY WITHOUT PRIOR WRITTEN PERMISSION.

SOUNDCRAFT
HARMAN INT. INDUSTRIES LTD.
CRANBORNE HOUSE,
CRANBORNE ROAD,
POTTERS BAR,
HERTS. EN6 3JN.
TEL: 01707 665000
FAX: 01707 660402

NOTES

DRN.	MSW	CN No.	INITIAL	DATE	ISSUE	TITLE
DATE	09-01-01	PRE-PROD	MSW	09-01-01	05A	STEREO INPUT 1
MASTER IF RED						
						DRG NO. ED4097-05A
						SHT. 10 OF 19



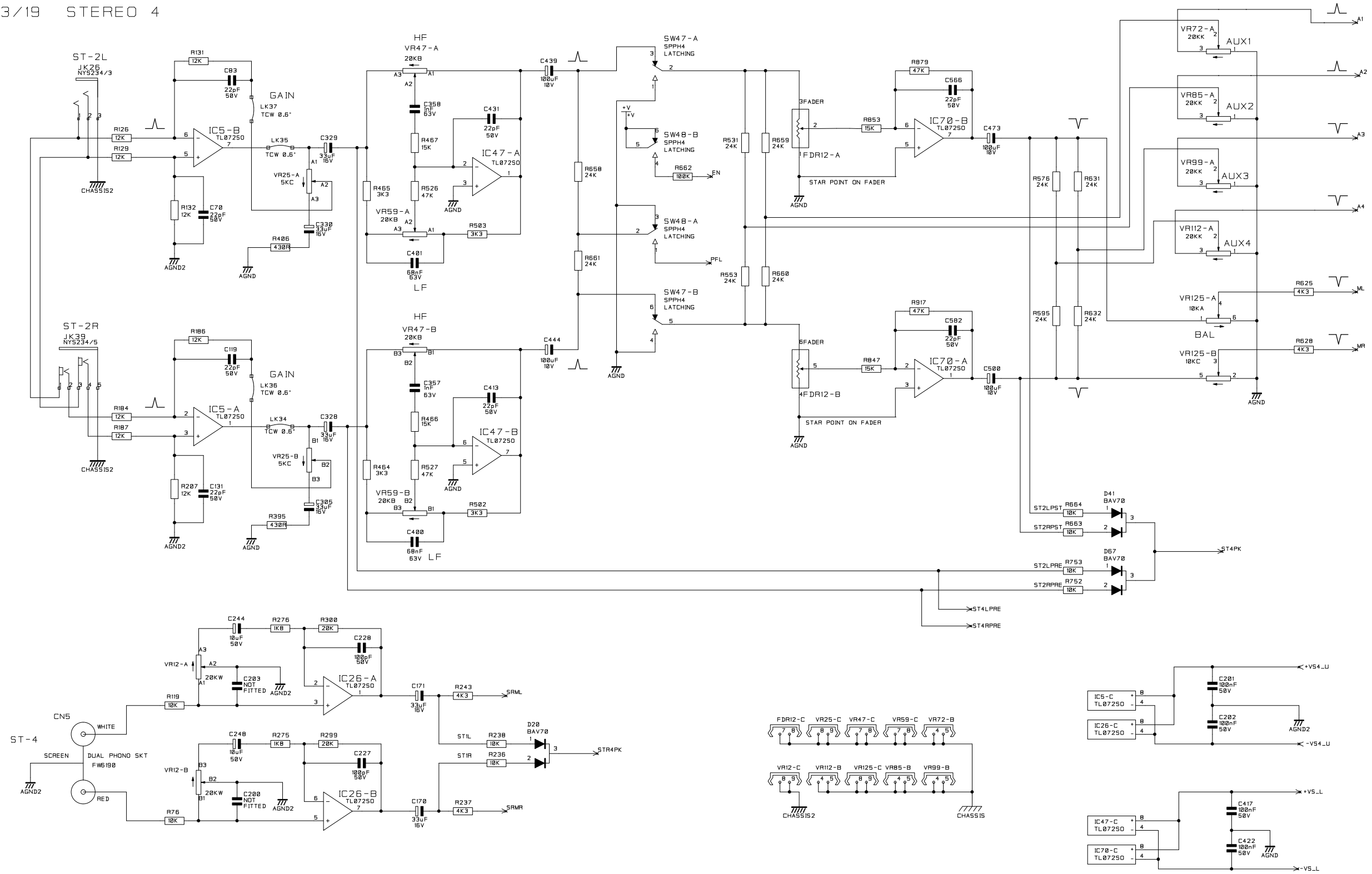
SOUNDCRAFT OWN THE COPYRIGHT OF THIS DRAWING WHICH IS NOT TO BE COPIED, REPRODUCED OR DISCLOSED, IN PART OR WHOLE TO A THIRD PARTY WITHOUT PRIOR WRITTEN PERMISSION.

SOUNDCRAFT
HARMAN INT. INDUSTRIES LTD.
CRANBORNE HOUSE,
CRANBORNE ROAD,
POTTERS BAR,
HERTS. EN9 3JN.
TEL: 01707 665000
FAX: 01707 660402

NOTES

DRN.	MSW	CN No.	INITIAL	DATE	ISSUE	TITLE
DATE	09-01-01	PRE-PROD	MSW	09-01-01	05A	SPIRIT M8 STEREO INPUT 3
MASTER IF RED						DRG NO. ED4097-05A

SHT.12
OF 19



SOUNDCRAFT OWN THE COPYRIGHT OF THIS DRAWING WHICH IS NOT TO BE COPIED, REPRODUCED OR DISCLOSED, IN PART OR WHOLE TO A THIRD PARTY WITHOUT PRIOR WRITTEN PERMISSION.

SOUNDCRAFT
HARMAN INT. INDUSTRIES LTD.
CRANBORNE HOUSE,
CRANBORNE ROAD,
POTTERS BAR,
HERTS. EN9 3JN.
TEL: 01707 665000
FAX: 01707 660482

NOTES

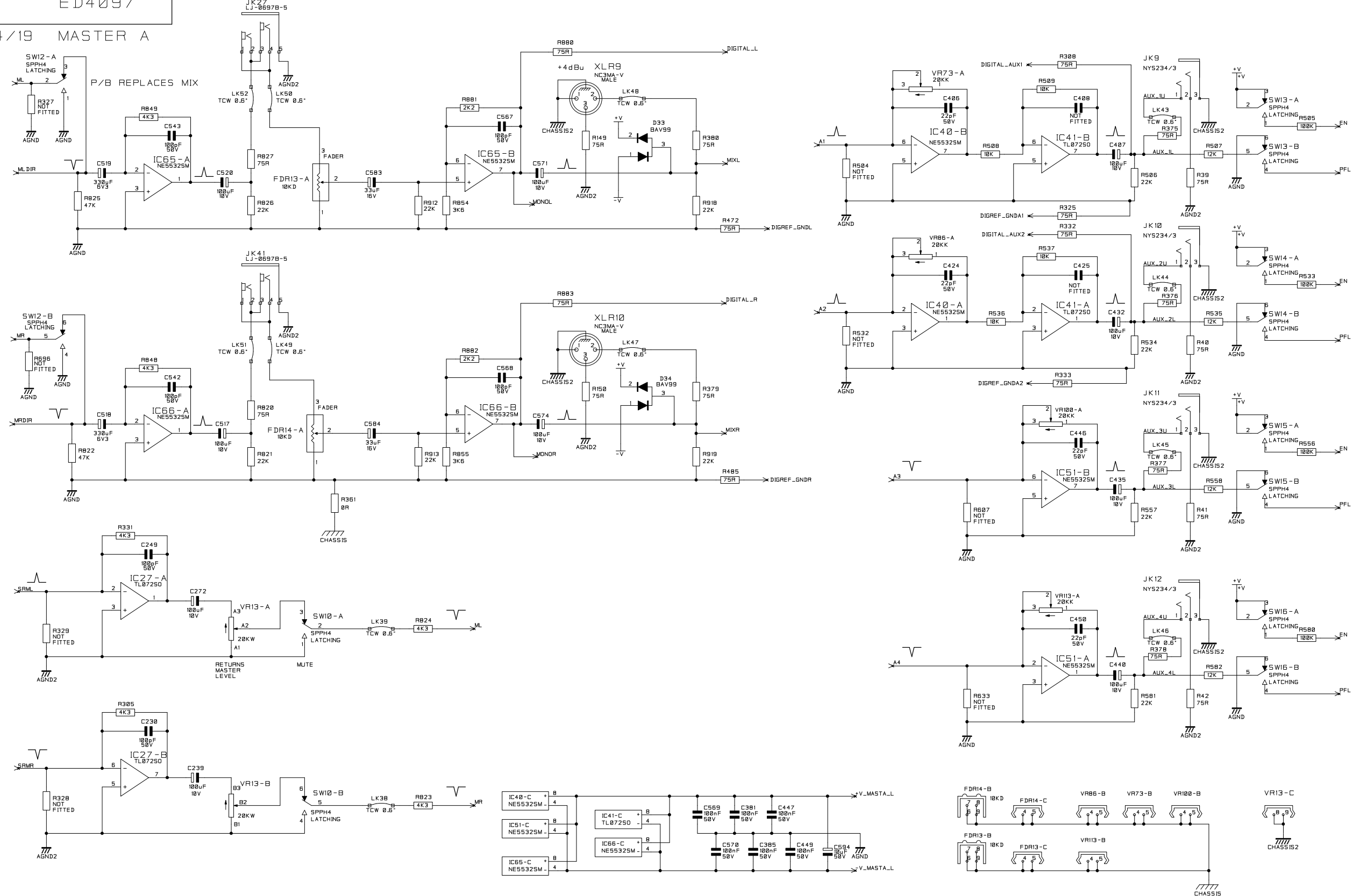
DRN.	MSW	CN No.	INITIAL	DATE	ISSUE	TITLE
DATE	09-01-01	PRE-PROD	MSW	09-01-01	05A	SPIRIT M8 STEREO INPUT 4
MASTER IF RED						DRG NO. ED4097-05A

SHT.13
OF 19

DRG NO.

ED4097

14/19 MASTER A

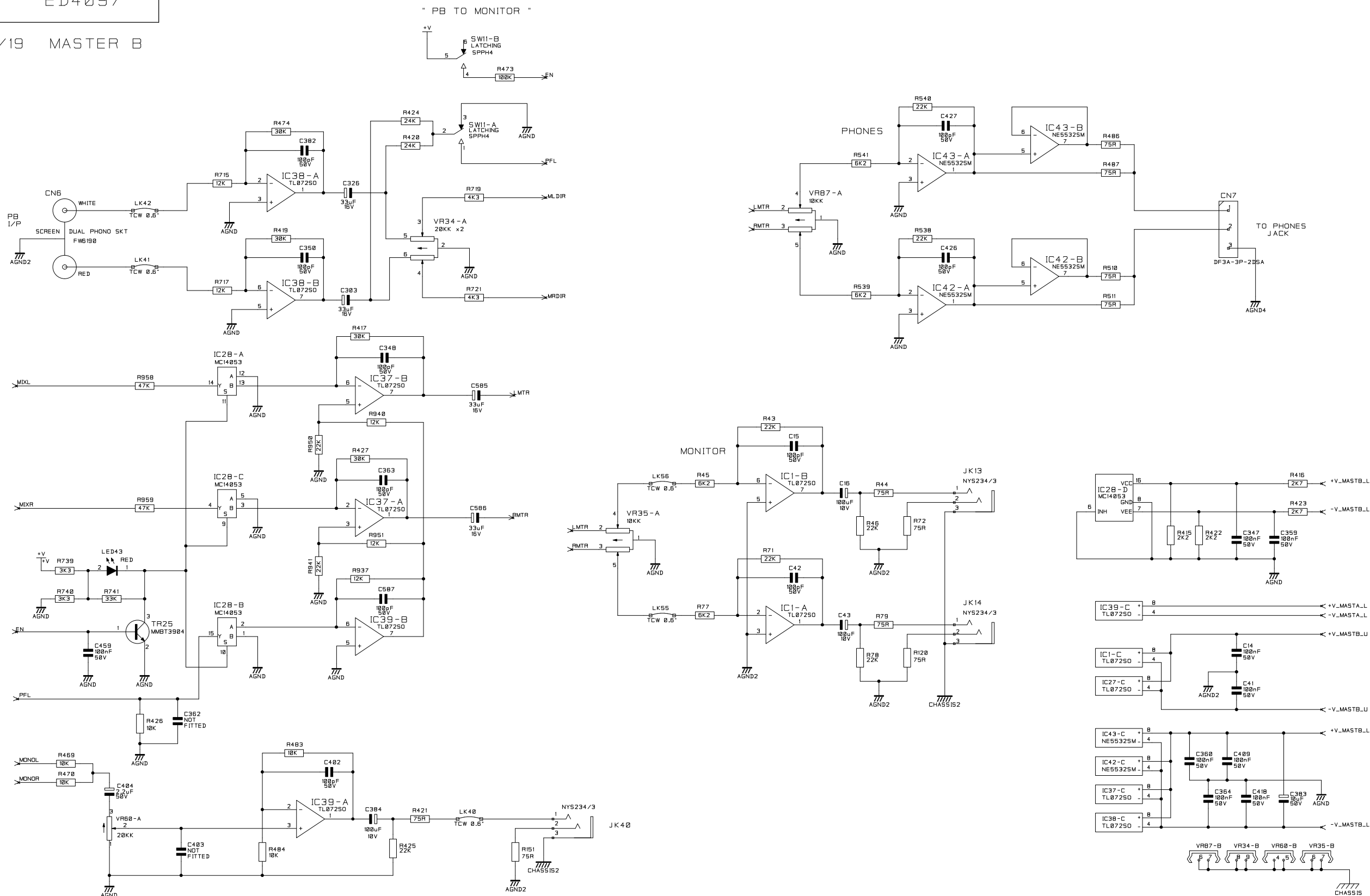


SOUNDCRAFT OWN THE COPYRIGHT OF THIS DRAWING WHICH IS NOT TO BE COPIED, REPRODUCED OR DISCLOSED, IN PART OR WHOLE TO A THIRD PARTY WITHOUT PRIOR WRITTEN PERMISSION.

SOUNDCRAFT
HARMAN INT. INDUSTRIES LTD.
CRANBORNE HOUSE,
CRANBORNE ROAD,
POTTERS BAR,
HERTS. EN9 3JN.
TEL: 01707 665000
FAX: 01707 660482

NOTES

DRN.	MSW	CN No.	INITIAL	DATE	ISSUE	TITLE
DATE	09-01-01	PRE-PROD	MSW	09-01-01	05A	SPiRiT M8 MASTER A
MASTER IF RED						DRG NO. ED4097-05A
						SHT.14 OF 19



SOUNDCRAFT OWN THE COPYRIGHT OF THIS DRAWING WHICH IS NOT TO BE COPIED, REPRODUCED OR DISCLOSED, IN PART OR WHOLE TO A THIRD PARTY WITHOUT PRIOR WRITTEN PERMISSION.

SOUNDCRAFT
HARMAN INT. INDUSTRIES LTD.
CRANBORNE HOUSE,
CRANBORNE ROAD,
POTTERS BAR,
HERTS. EN9 3JN.
TEL: 01707 665000
FAX: 01707 660482

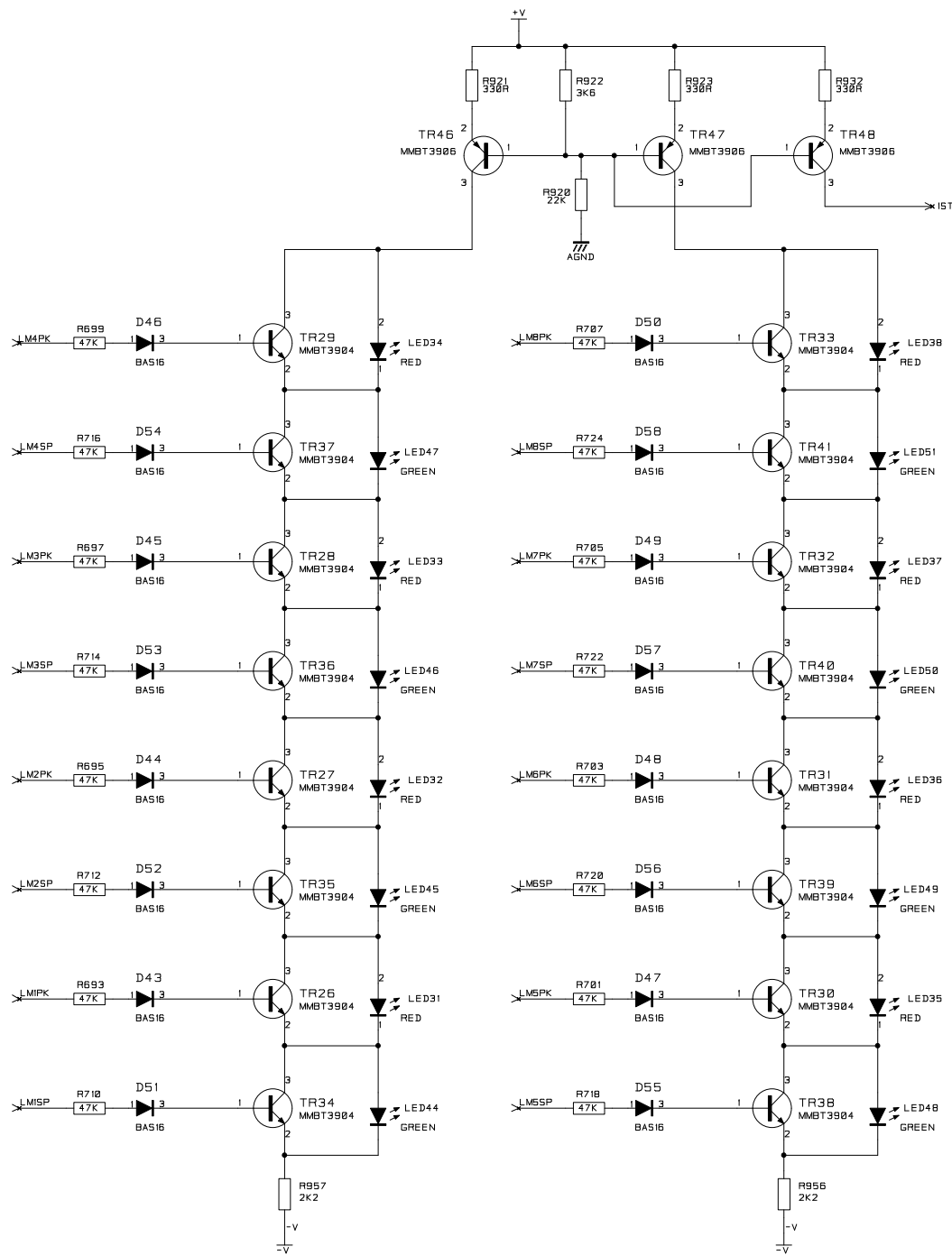
NOTES

DRN.	MSW	CN No.	INITIAL	DATE	ISSUE	TITLE
DATE	09-01-01	PRE-PROD	MSW	09-01-01	05A	SPiRiT M8 MASTER B
MASTER IF RED						DRG NO. ED4097-05A
						SHT.15 OF 19

DRG NO.

ED4097

16/19 MONO PEAK LEDS



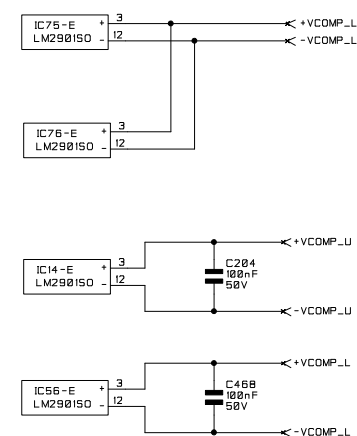
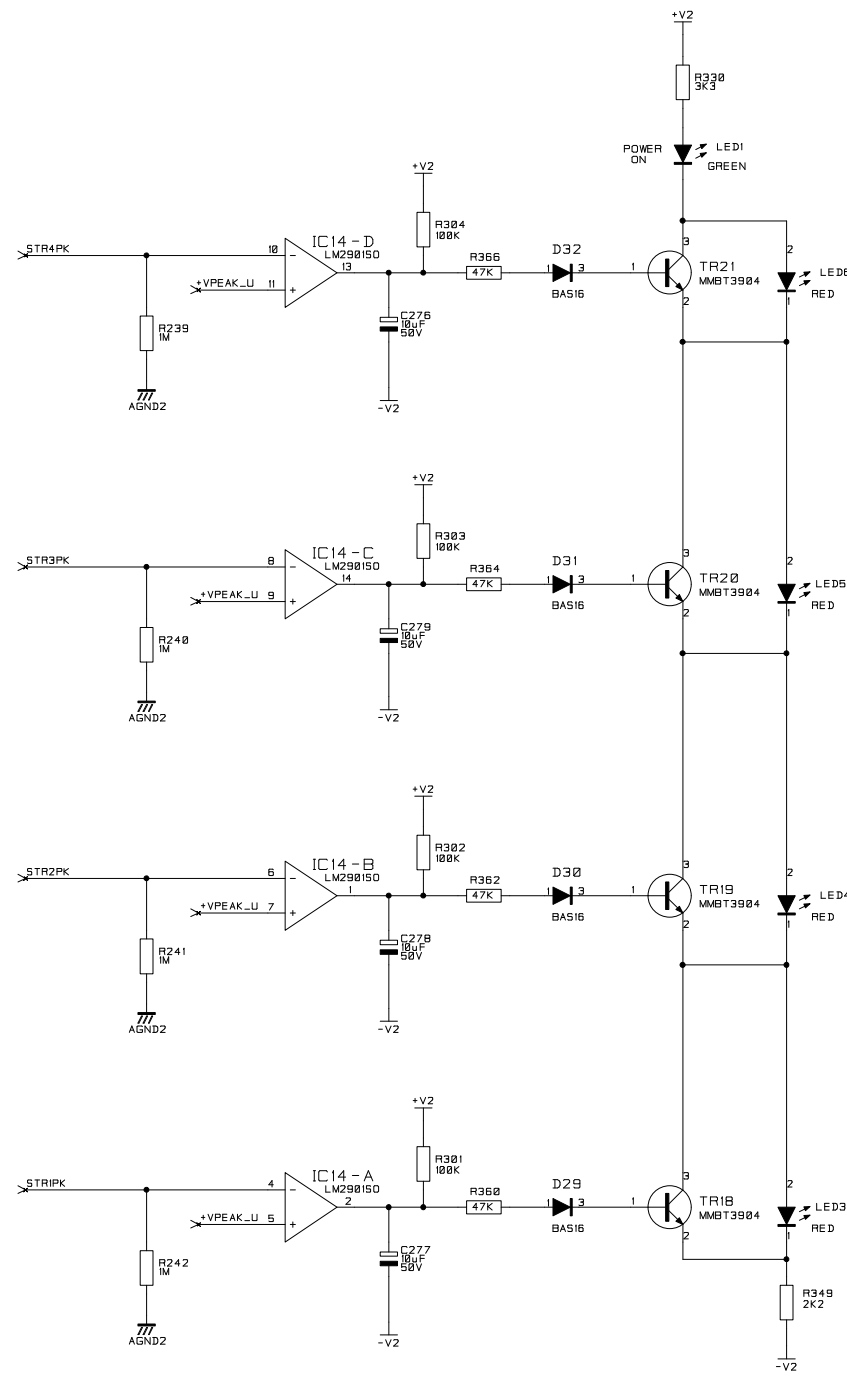
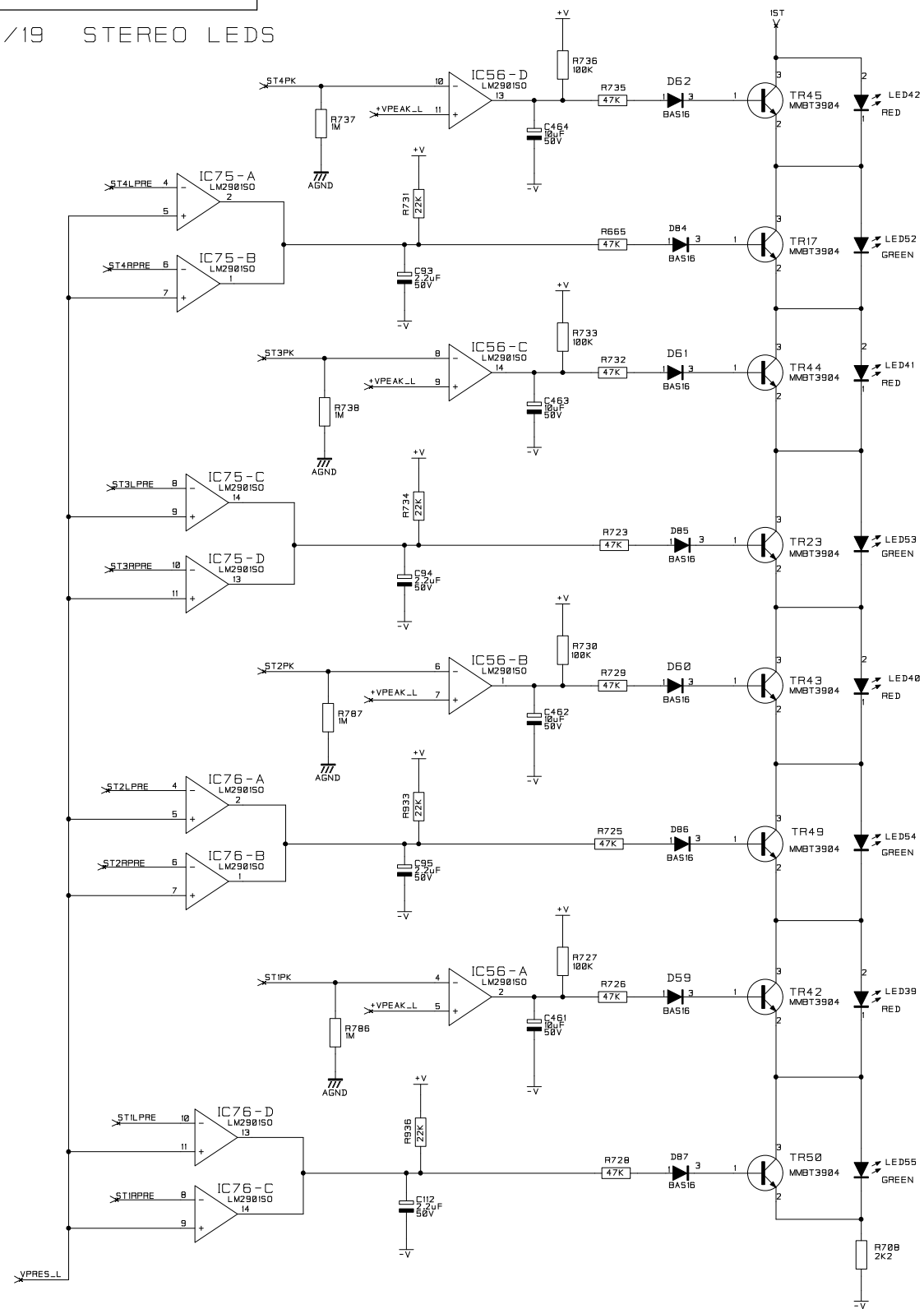
SOUNDCRAFT OWN THE COPYRIGHT OF THIS DRAWING WHICH IS NOT TO BE COPIED, REPRODUCED OR DISCLOSED, IN PART OR WHOLE TO A THIRD PARTY WITHOUT PRIOR WRITTEN PERMISSION.

SOUNDCRAFT
HARMAN INT. INDUSTRIES LTD.
CRANBORNE HOUSE,
CRANBORNE ROAD,
POTTERS BAR,
HERTS. EN6 3JN.
TEL: 01707 665000
FAX: 01707 660402

NOTES

DRN.	CN No.	INITIAL	DATE	ISSUE
MSW	PRE-PROD	MSW	09-01-01	05A
DATE				
09-01-01				
MASTER IF RED				

TITLE	SPIRIT M8 MONO PEAK LEDS
DRG NO.	
ED4097-05A	SHT.16 OF 19



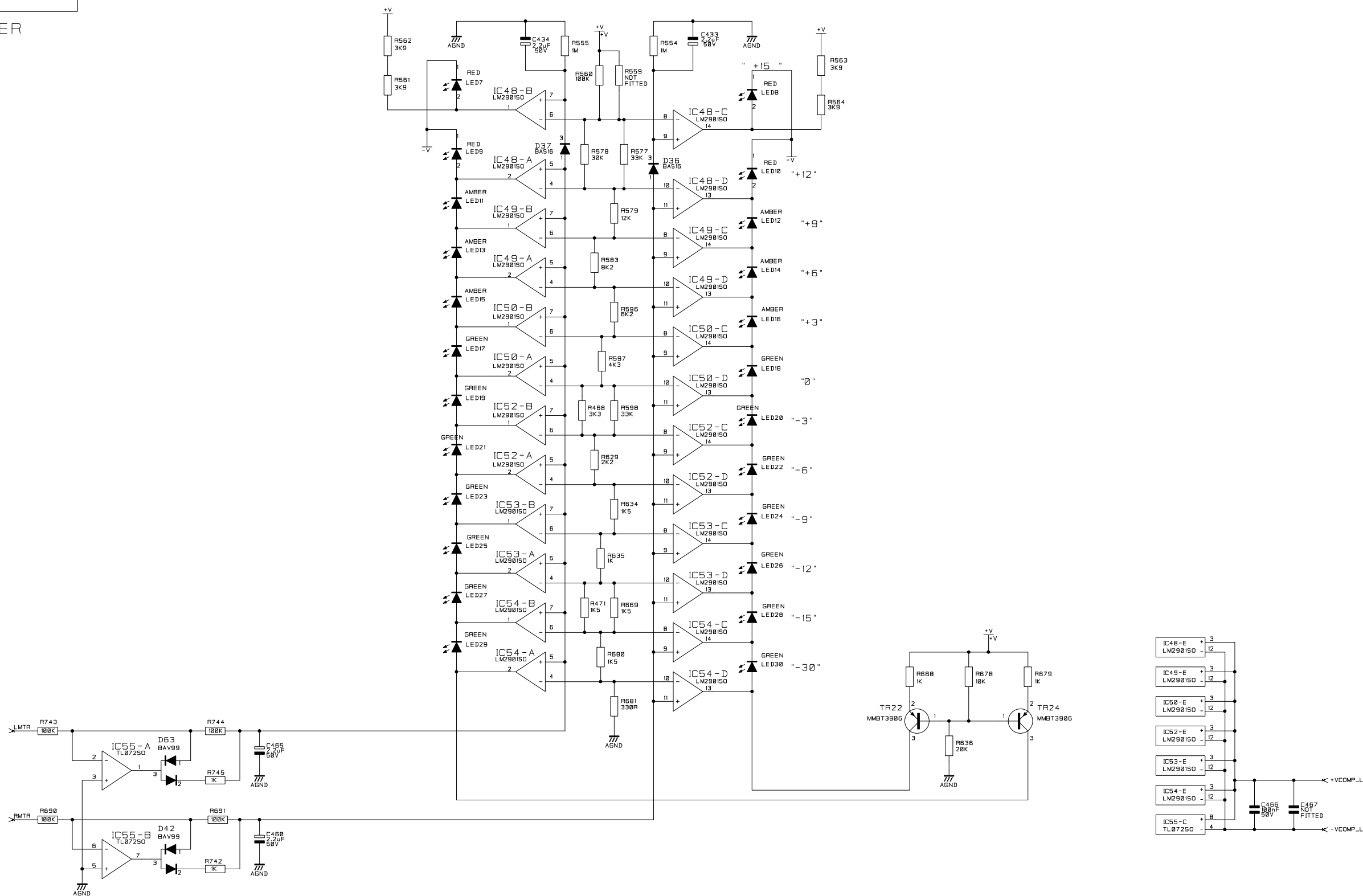
SOUNDCRAFT OWN THE COPYRIGHT OF THIS DRAWING WHICH IS NOT TO BE COPIED, REPRODUCED OR DISCLOSED, IN PART OR WHOLE TO A THIRD PARTY WITHOUT PRIOR WRITTEN PERMISSION.

SOUNDCRAFT
HARMAN INT. INDUSTRIES LTD.
CRANBORNE HOUSE,
CRANBORNE ROAD,
POTTERS BAR,
HERTS. EN9 3JN.
TEL: 01707 665000
FAX: 01707 660402

NOTES

DRN.	MSW	CN No.	INITIAL	DATE	ISSUE	TITLE
DATE	09-01-01	PRE-PROD	MSW	09-01-01	05A	SPIRIT M8 STEREO LEDS
MASTER IF RED						

DRG NO. ED4097-05A SHT.17 OF 19

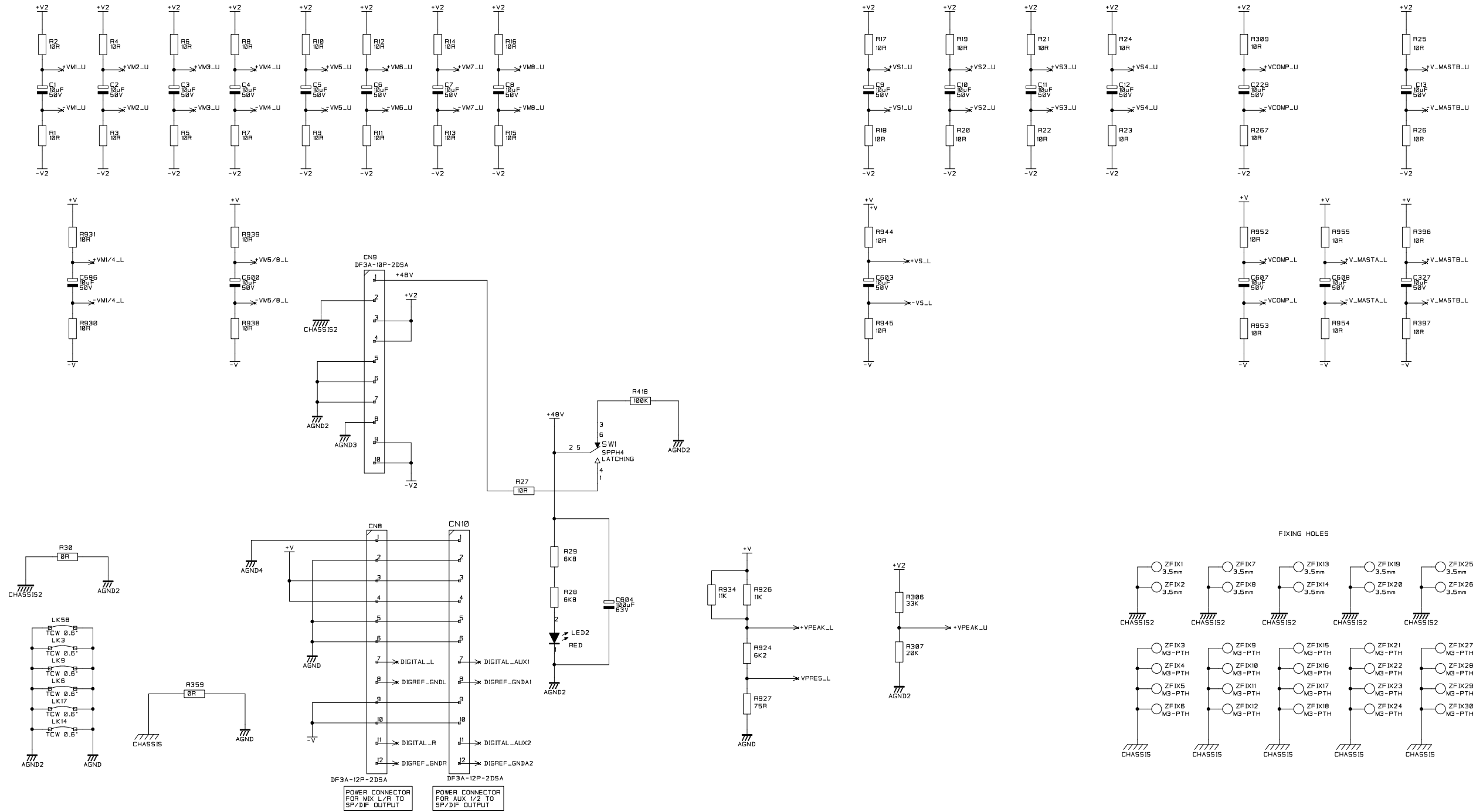


SOUNDCRAFT OWN THE COPYRIGHT OF THIS DRAWING WHICH IS NOT TO BE COPIED, REPRODUCED OR DISCLOSED, IN PART OR WHOLE TO A THIRD PARTY WITHOUT PRIOR WRITTEN PERMISSION.

SOUNDCRAFT
HARMAN INT. INDUSTRIES LTD.
CRANBORNE HOUSE,
CRANBORNE ROAD,
POTTERS BAR,
HERTS. EN6 3JN.
TEL: 01707 665000
FAX: 01707 660402

NOTES

DRN.	MSW	CN No.	INITIAL	DATE	ISSUE	TITLE
DATE	09-01-01	PRE-PROD	MSW	09-01-01	05A	SPIRIT M8 METER
MASTER IF RED						DRG NO. ED4097-05A
						SHT.18 OF 19



SOUNDCRAFT OWN THE COPYRIGHT OF THIS DRAWING WHICH IS NOT TO BE COPIED, REPRODUCED OR DISCLOSED, IN PART OR WHOLE TO A THIRD PARTY WITHOUT PRIOR WRITTEN PERMISSION.

SOUNDCRAFT
HARMAN INT. INDUSTRIES LTD.
CRANBORNE HOUSE,
CRANBORNE ROAD,
POTTERS BAR,
HERTS. EN9 3JN.
TEL: 01707 665000
FAX: 01707 660402

NOTES

DRN.	MSW	CN No.	INITIAL	DATE	ISSUE	TITLE	SPIRIT M8 POWER DRG NO. ED4097-05A SHT.19 OF 19
DATE	09-01-01	PRE-PROD	MSW	09-01-01	05A		
MASTER IF RED							