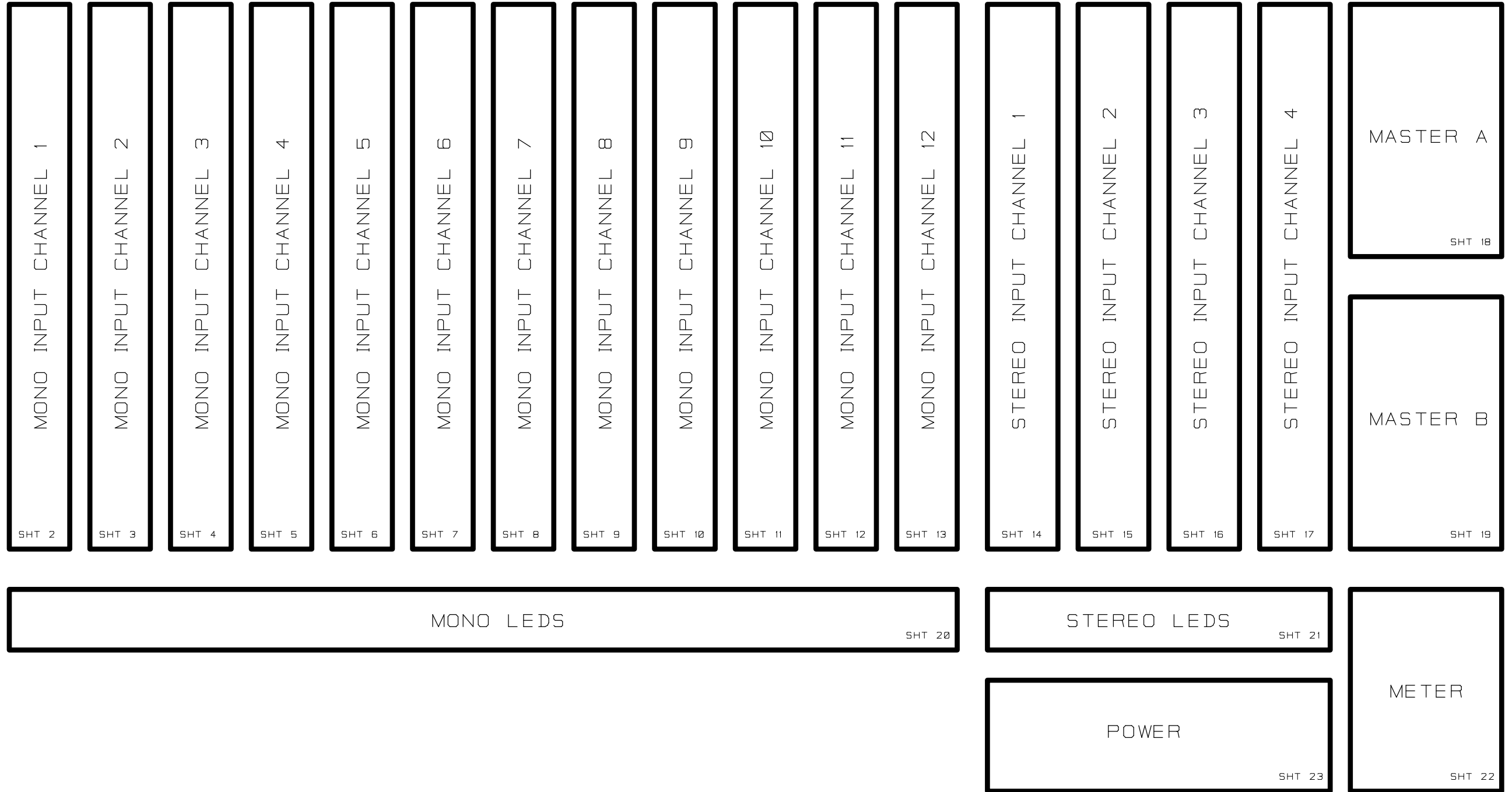


DRG NO. ED4098

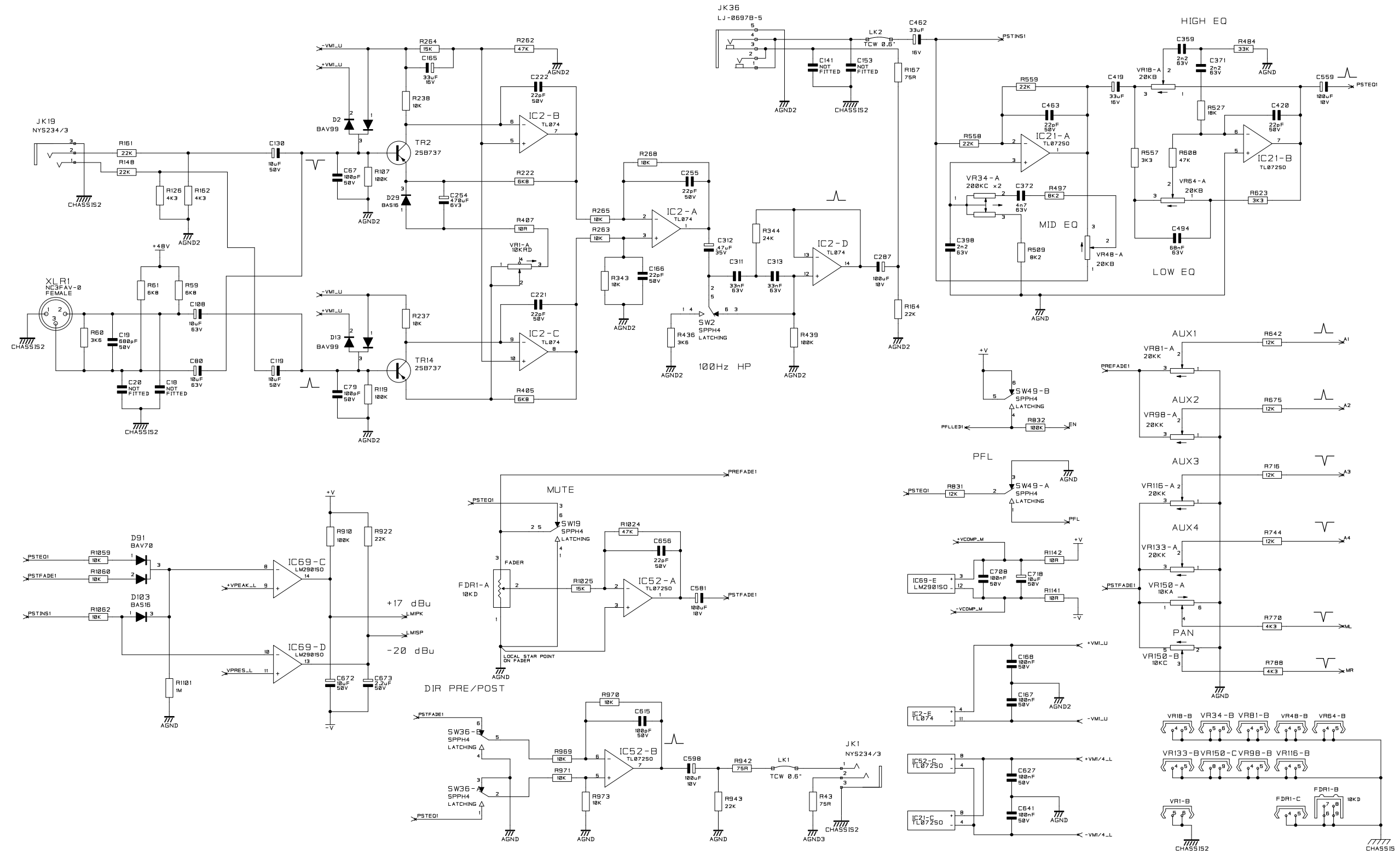


SOUNDCRAFT OWN THE COPYRIGHT OF THIS DRAWING WHICH IS NOT TO BE COPIED, REPRODUCED OR DISCLOSED, IN PART OR WHOLE TO A THIRD PARTY WITHOUT PRIOR WRITTEN PERMISSION.

SOUNDCRAFT
HARMAN INT. INDUSTRIES LTD.
CRANBORNE HOUSE,
CRANBORNE ROAD,
POTTERS BAR,
HERTS. EN9 3JN.
TEL: 01707 665000
FAX: 01707 660482

NOTES

DRN.	PMD	CN No.	INITIAL	DATE	ISSUE	TITLE SPIRIT M12
DATE	30-11-00	PRE-PROD	PMD	30-11-00	01A	
MASTER IF RED		PRE-PROD	PMD	09-02-01	02A	
						DRG NO. ED4098-02A
						SHT. 1 OF 23

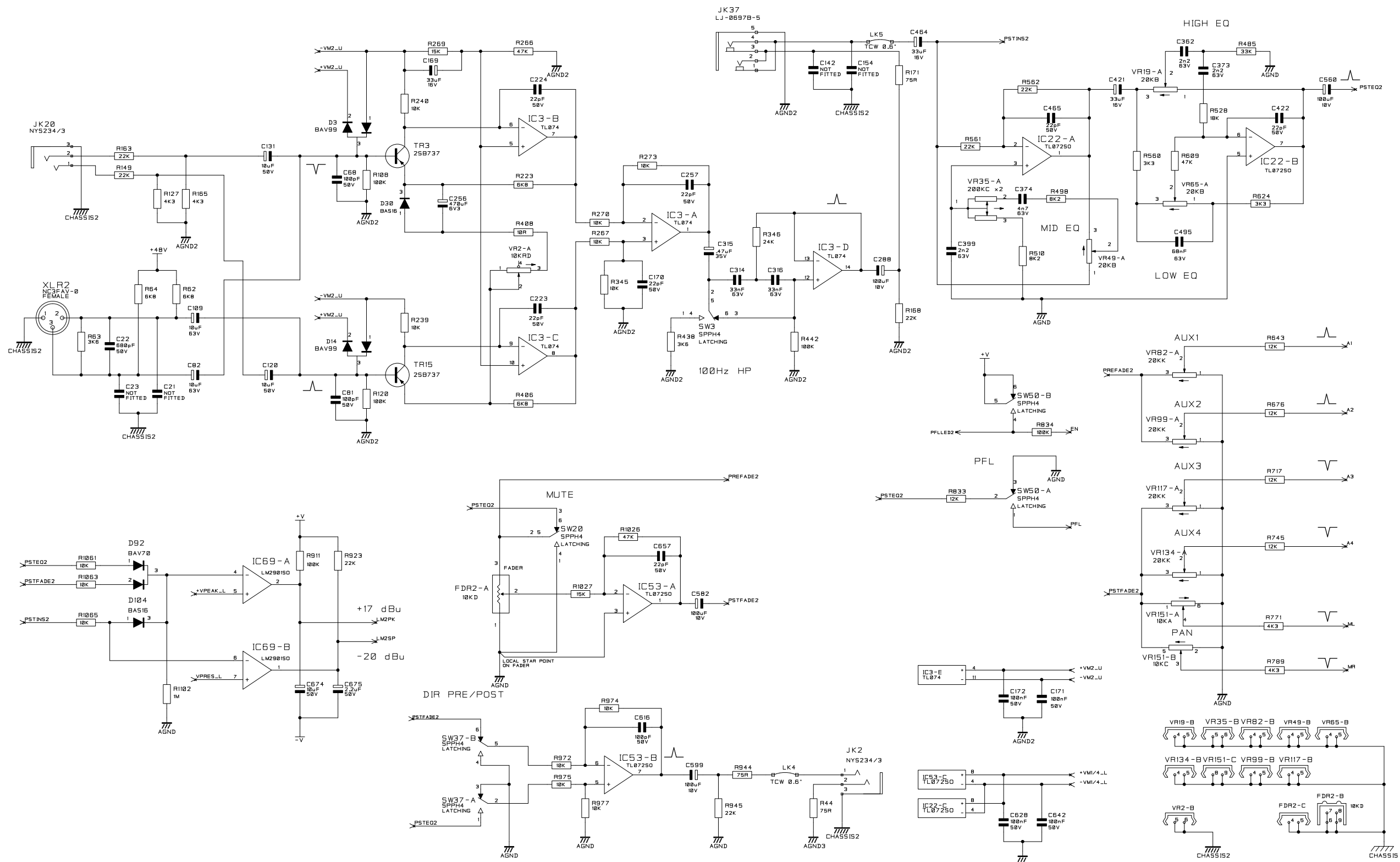


SOUNDCRAFT OWN THE COPYRIGHT OF THIS DRAWING WHICH IS NOT TO BE COPIED, REPRODUCED OR DISCLOSED, IN PART OR WHOLE TO A THIRD PARTY WITHOUT PRIOR WRITTEN PERMISSION.

SOUNDCRAFT
HARMAN INT. INDUSTRIES LTD.
CRANBORNE HOUSE,
CRANBORNE ROAD,
POTTERS BAR,
HERTS. EN9 3JN.
TEL: 01707 665000
FAX: 01707 660482

NOTES

DRN.	PMD	CN No.	INITIAL	DATE	ISSUE	TITLE
DATE	30-11-00	PRE-PROD	PMD	30-11-00	01A	SPIRIT M12 MONO INPUT CHANNEL 1
		PRE-PROD	PMD	09-02-01	02A	
MASTER IF RED						DRG NO. ED4098-02A
						SHT. 2 OF 23

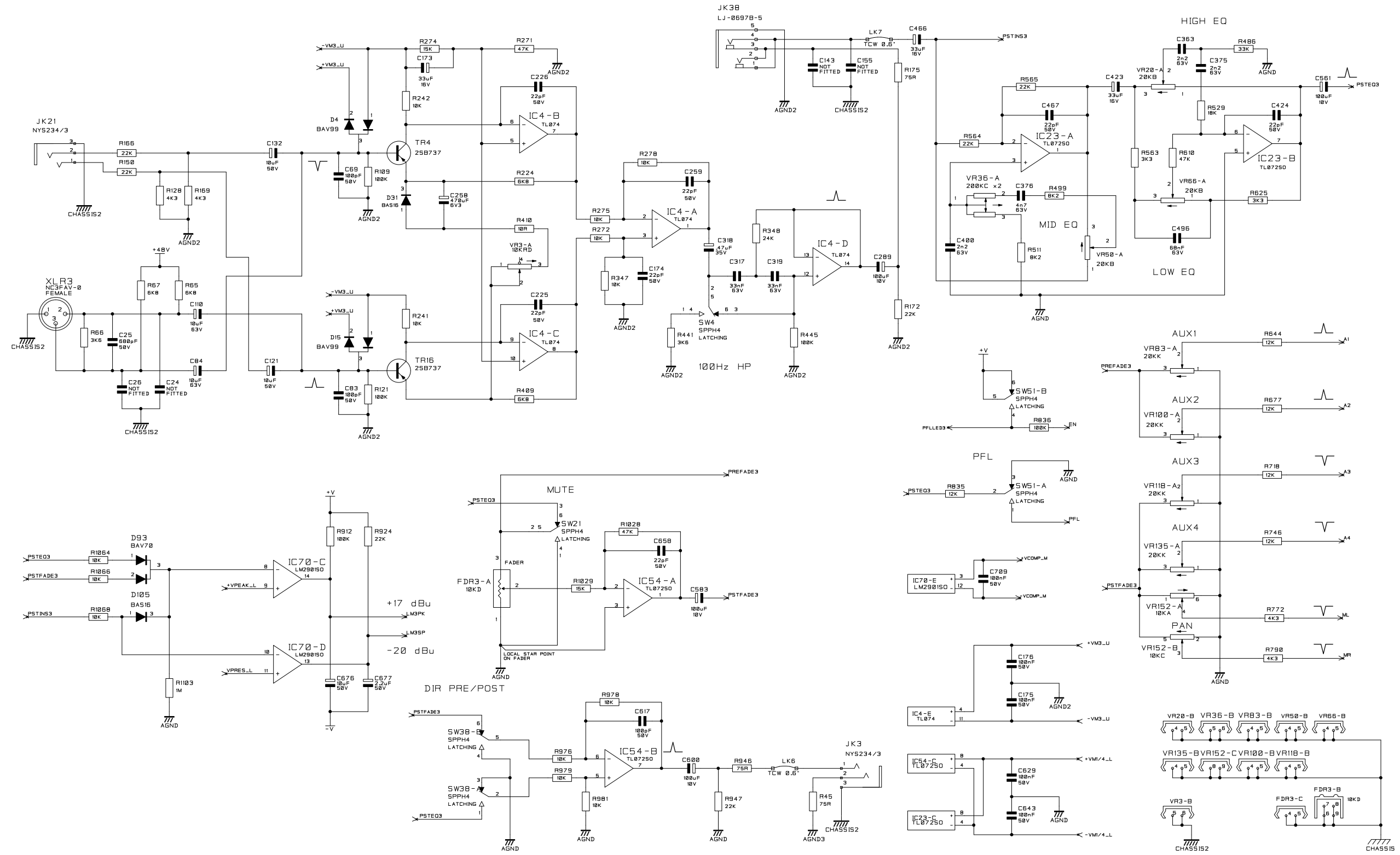


SOUNDCRAFT OWN THE COPYRIGHT OF THIS DRAWING WHICH IS NOT TO BE COPIED, REPRODUCED OR DISCLOSED, IN PART OR WHOLE TO A THIRD PARTY WITHOUT PRIOR WRITTEN PERMISSION.

SOUNDCRAFT
HARMAN INT. INDUSTRIES LTD.
CRANBORNE HOUSE,
CRANBORNE ROAD,
POTTERS BAR,
HERTS. EN9 3JN.
TEL: 01707 665000
FAX: 01707 660482

NOTES

DRN.	CN No.	INITIAL	DATE	ISSUE	TITLE
PMD	PRE-PROD	PMD	30-11-00	01A	SPIRIT M12 MONO INPUT CHANNEL 2
DATE	PRE-PROD	PMD	09-02-01	02A	
MASTER IF RED					DRG NO. ED4098-02A

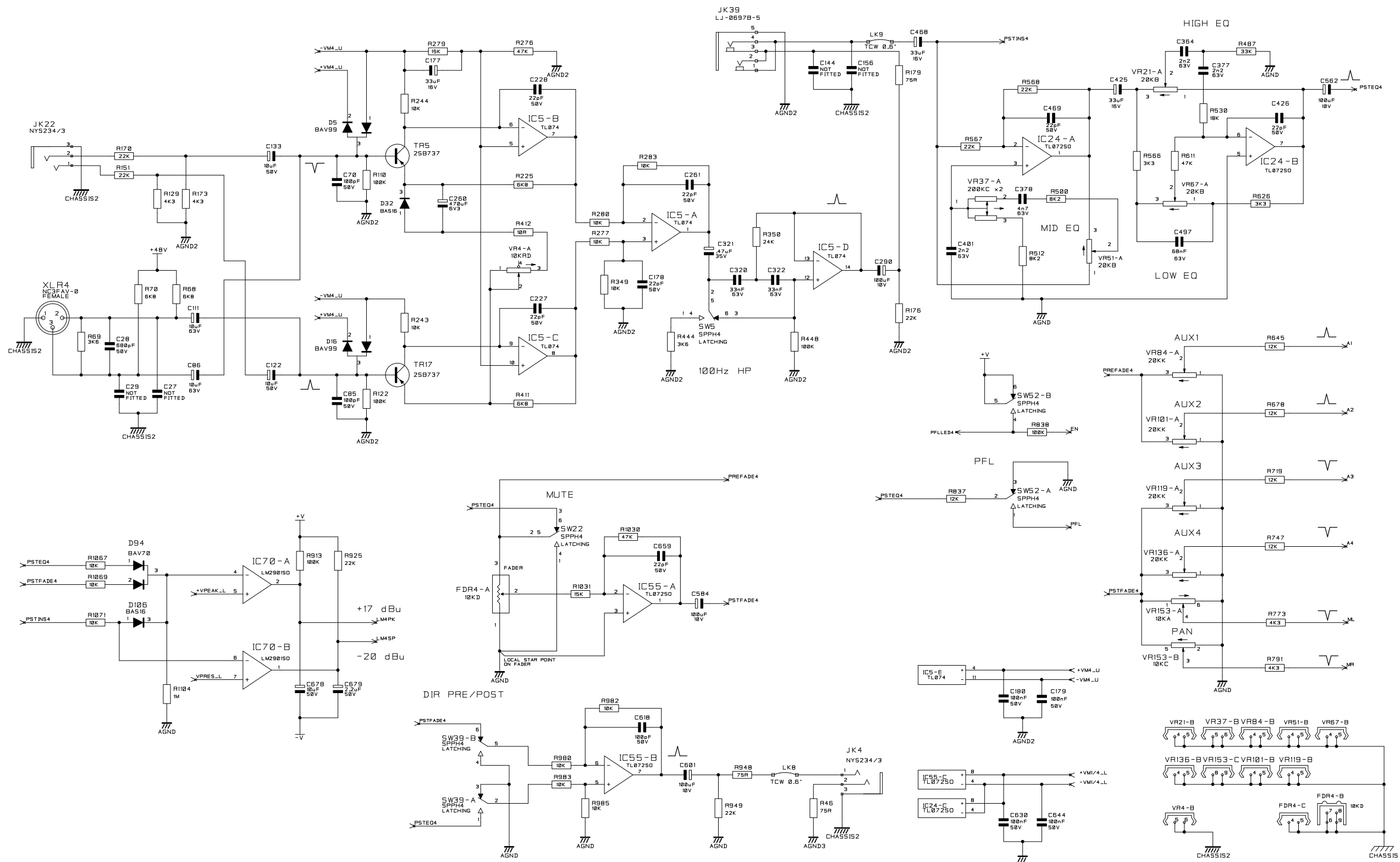


SOUNDCRAFT OWN THE COPYRIGHT OF THIS DRAWING WHICH IS NOT TO BE COPIED, REPRODUCED OR DISCLOSED, IN PART OR WHOLE TO A THIRD PARTY WITHOUT PRIOR WRITTEN PERMISSION.

SOUNDCRAFT
HARMAN INT. INDUSTRIES LTD.
CRANBORNE HOUSE,
CRANBORNE ROAD,
POTTERS BAR,
HERTS. EN9 3JN.
TEL: 01707 665000
FAX: 01707 660482

NOTES

DRN.	PMD	CN No.	INITIAL	DATE	ISSUE	TITLE
		PRE-PROD	PMD	30-11-00	01A	SPIRIT M12 MONO INPUT CHANNEL 3
		PRE-PROD	PMD	09-02-01	02A	
	30-11-00					
	MASTER IF RED					
						DRG NO. ED4098-02A
						SHT. 4 OF 23

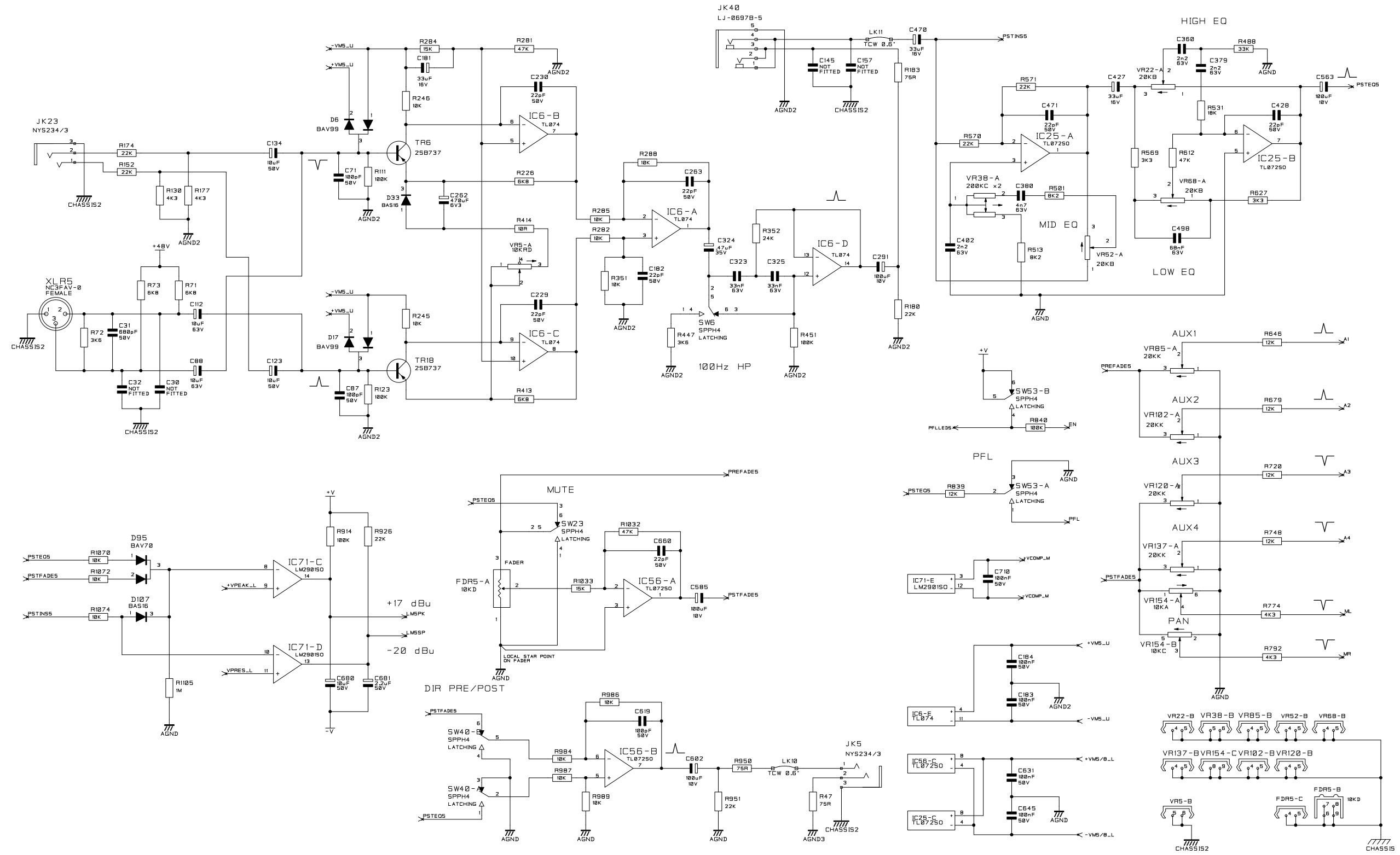


SOUNDCRAFT OWN THE COPYRIGHT OF THIS DRAWING WHICH IS NOT TO BE COPIED, REPRODUCED OR DISCLOSED, IN PART OR WHOLE TO A THIRD PARTY WITHOUT PRIOR WRITTEN PERMISSION.

SOUNDCRAFT
HARMAN INT. INDUSTRIES LTD.
CRANBORNE HOUSE,
CRANBORNE ROAD,
POTTERS BAR,
HERTS. EN9 3JN.
TEL: 01707 665000
FAX: 01707 660482

NOTES

DRN.	CN No.	INITIAL	DATE	ISSUE	TITLE
PMD	PRE-PROD	PMD	30-11-00	01A	SPIRIT M12 MONO INPUT CHANNEL 4
DATE	PRE-PROD	PMD	09-02-01	02A	
30-11-00					
MASTER IF RED					

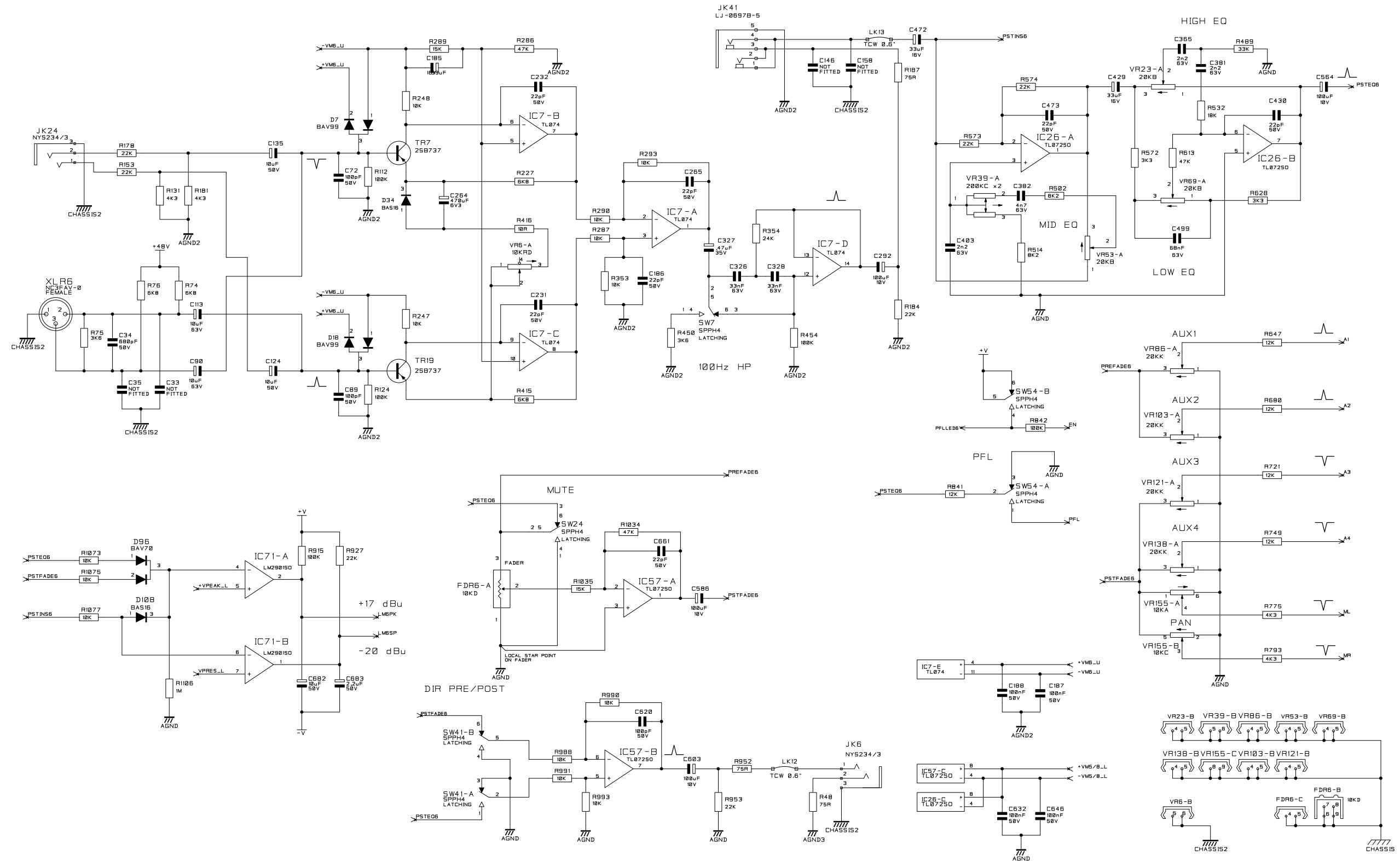


SOUNDCRAFT OWN THE COPYRIGHT OF THIS DRAWING WHICH IS NOT TO BE COPIED, REPRODUCED OR DISCLOSED, IN PART OR WHOLE TO A THIRD PARTY WITHOUT PRIOR WRITTEN PERMISSION.

SOUNDCRAFT
HARMAN INT. INDUSTRIES LTD.
CRANBORNE HOUSE,
CRANBORNE ROAD,
POTTERS BAR,
HERTS. EN9 3JN.
TEL: 01707 665000
FAX: 01707 660482

NOTES

DRN.	CN No.	INITIAL	DATE	ISSUE	TITLE
PMD	PRE-PROD	PMD	30-11-00	01A	SPIRIT M12 MONO INPUT CHANNEL 5
DATE	PRE-PROD	PMD	09-02-01	02A	
30-11-00					
MASTER IF RED					DRG NO. ED4098-02A

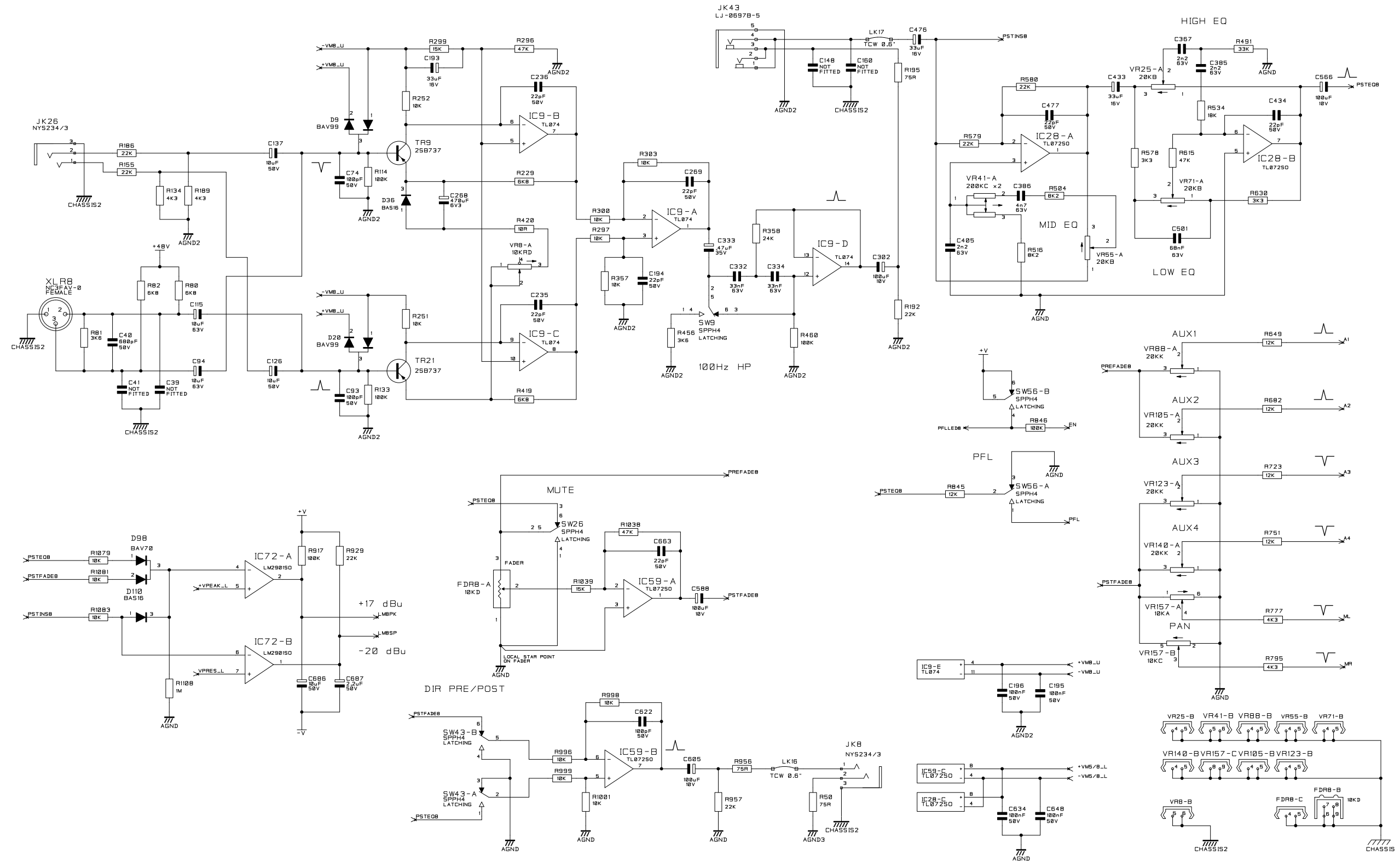


SOUNDCRAFT OWN THE COPYRIGHT OF THIS DRAWING WHICH IS NOT TO BE COPIED, REPRODUCED OR DISCLOSED, IN PART OR WHOLE TO A THIRD PARTY WITHOUT PRIOR WRITTEN PERMISSION.

SOUNDCRAFT
HARMAN INT. INDUSTRIES LTD.
CRANBORNE HOUSE,
CRANBORNE ROAD,
POTTERS BAR,
HERTS. EN9 3JN.
TEL: 01707 665000
FAX: 01707 660482

NOTES

DRN.	CN No.	INITIAL	DATE	ISSUE	TITLE
PMD	PRE-PROD	PMD	30-11-00	01A	SPIRIT M12 MONO INPUT CHANNEL 6
DATE	PRE-PROD	PMD	09-02-01	02A	
30-11-00					
MASTER IF RED					

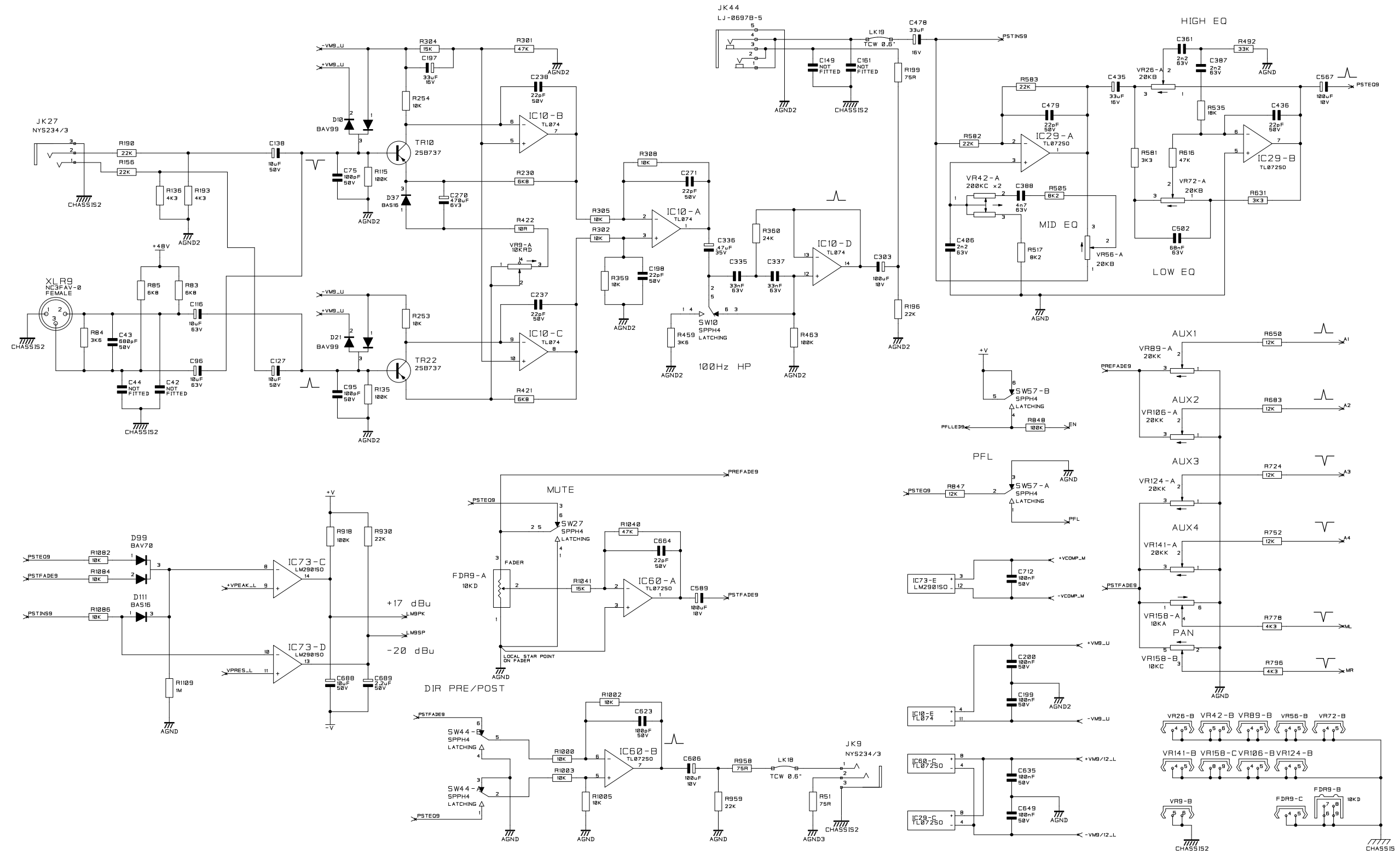


SOUNDCRAFT OWN THE COPYRIGHT OF THIS DRAWING WHICH IS NOT TO BE COPIED, REPRODUCED OR DISCLOSED, IN PART OR WHOLE TO A THIRD PARTY WITHOUT PRIOR WRITTEN PERMISSION.

SOUNDCRAFT
HARMAN INT. INDUSTRIES LTD.
CRANBORNE HOUSE,
CRANBORNE ROAD,
POTTERS BAR,
HERTS. EN9 3JN.
TEL: 01707 665000
FAX: 01707 660482

NOTES

DRN.	CN No.	INITIAL	DATE	ISSUE	TITLE
PMD	PRE-PROD	PMD	30-11-00	01A	SPIRIT M12 MONO INPUT CHANNEL 8
DATE	PRE-PROD	PMD	09-02-01	02A	
30-11-00					
MASTER IF RED					

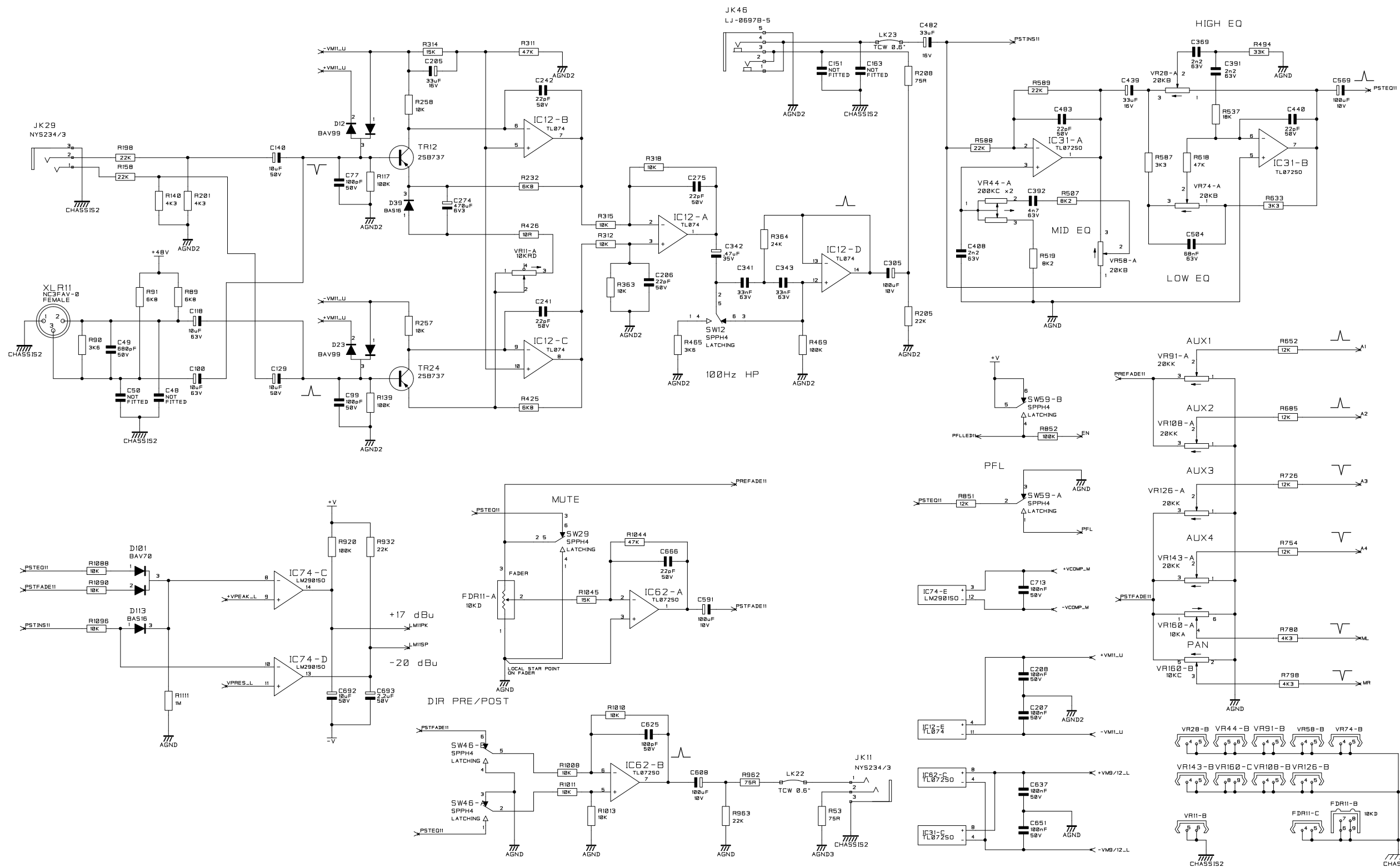


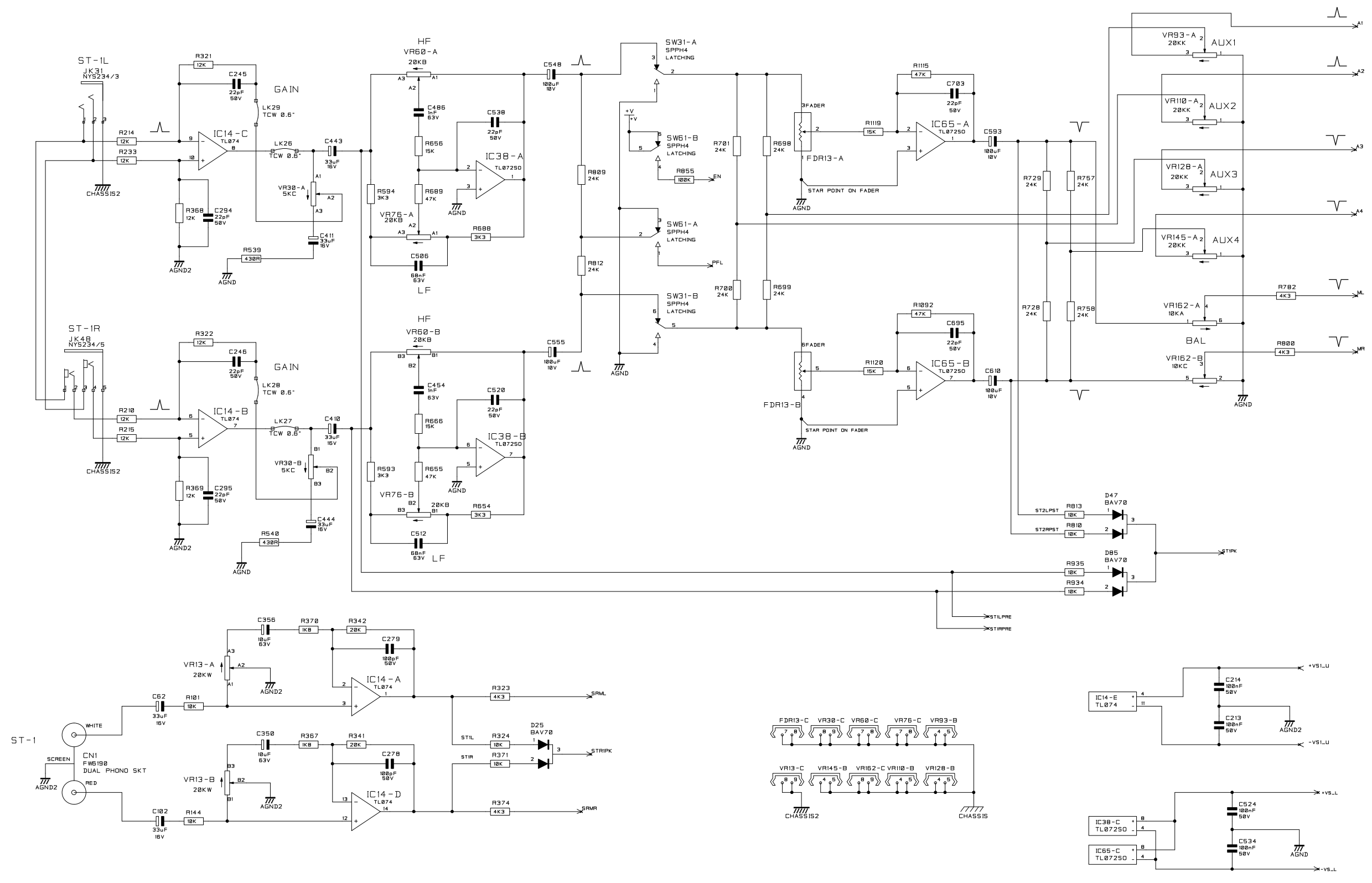
SOUNDCRAFT OWN THE COPYRIGHT OF THIS DRAWING WHICH IS NOT TO BE COPIED, REPRODUCED OR DISCLOSED, IN PART OR WHOLE TO A THIRD PARTY WITHOUT PRIOR WRITTEN PERMISSION.

SOUNDCRAFT
HARMAN INT. INDUSTRIES LTD.
CRANBORNE HOUSE,
CRANBORNE ROAD,
POTTERS BAR,
HERTS. EN9 3JN.
TEL: 01707 665000
FAX: 01707 660482

NOTES

DRN.	PMD	CN No.	INITIAL	DATE	ISSUE	TITLE
DATE	30-11-00	PRE-PROD	PMD	30-11-00	01A	SPIRIT M12 MONO INPUT CHANNEL 9
		PRE-PROD	PMD	09-02-01	02A	
MASTER IF RED						DRG NO. ED4098-02A
						SHT. 10 OF 23



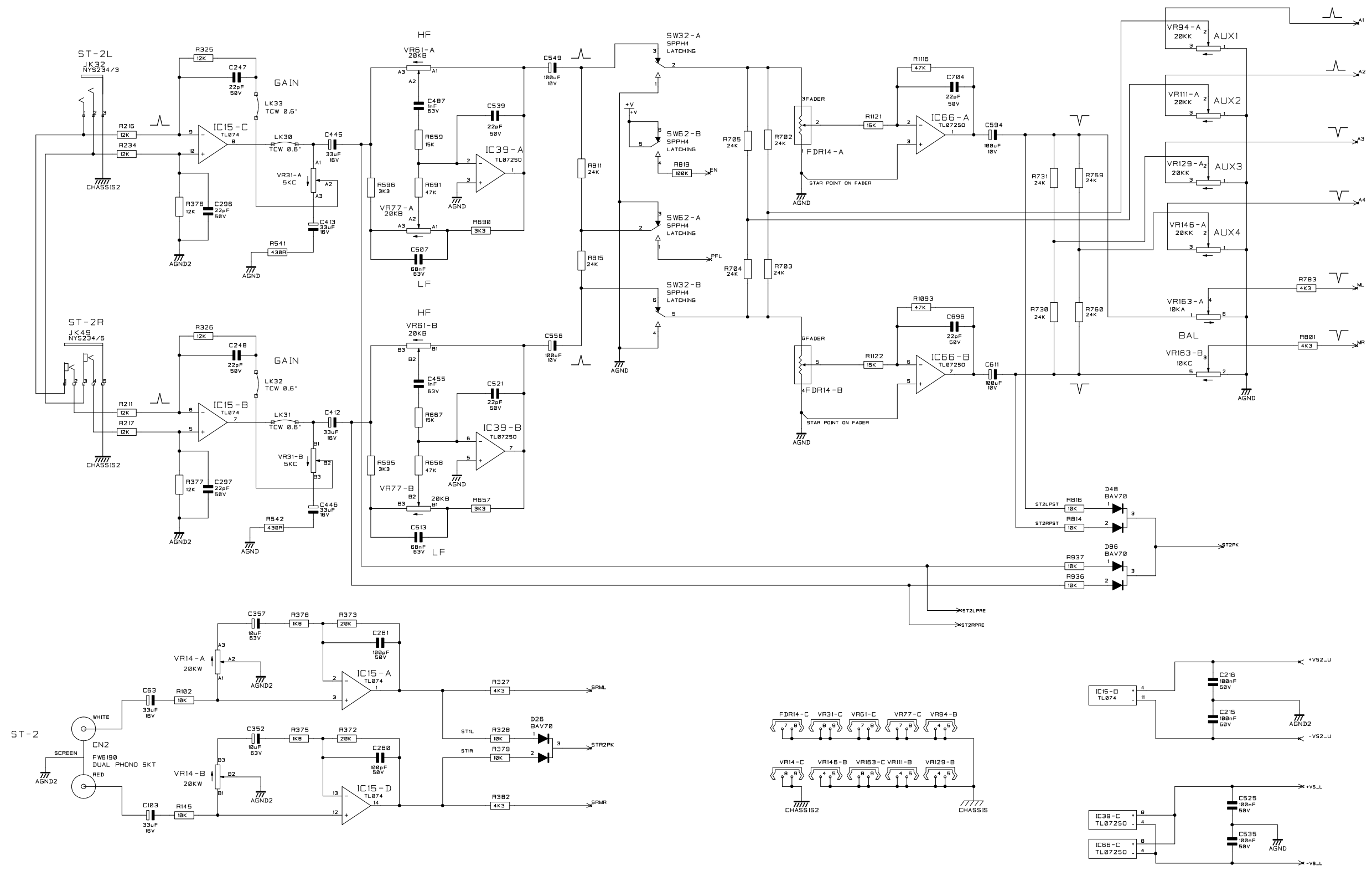


SOUNDCRAFT OWN THE COPYRIGHT OF THIS DRAWING WHICH IS NOT TO BE COPIED, REPRODUCED OR DISCLOSED, IN PART OR WHOLE TO A THIRD PARTY WITHOUT PRIOR WRITTEN PERMISSION.

SOUNDCRAFT
HARMAN INT. INDUSTRIES LTD.
CRANBORNE HOUSE,
CRANBORNE ROAD,
POTTERS BAR,
HERTS. EN9 3JN.
TEL: 01707 665000
FAX: 01707 660402

NOTES

DRN.	PMD	CN No.	INITIAL	DATE	ISSUE	TITLE
DATE	30-11-00	PRE-PROD	PMD	30-11-00	01A	SPIRIT M12 STEREO INPUT 1
		PRE-PROD	PMD	09-02-01	02A	
MASTER IF RED						DRG NO. ED4098-02A
						SHT.14 OF 23

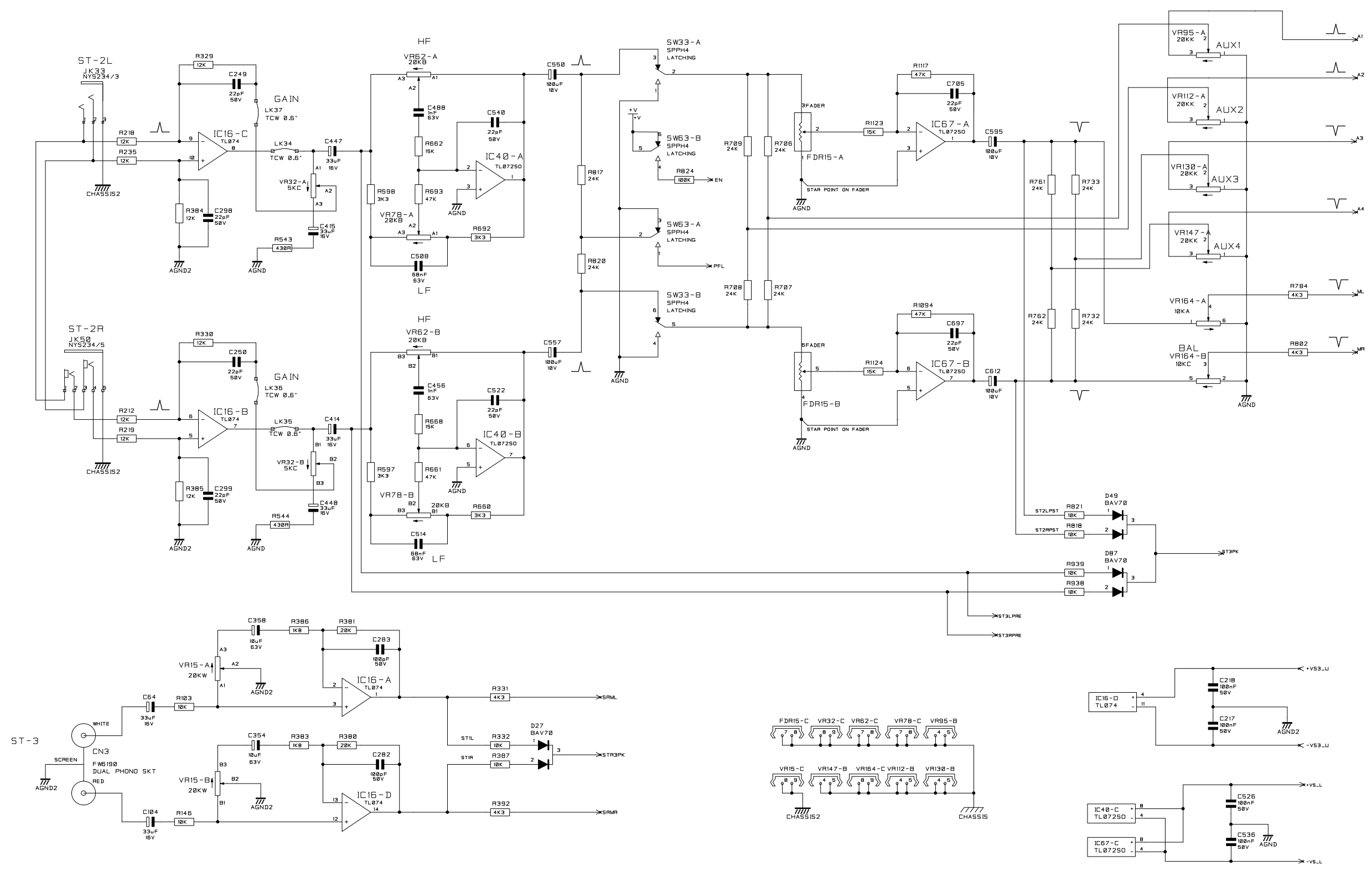


SOUNDCRAFT OWN THE COPYRIGHT OF THIS DRAWING WHICH IS NOT TO BE COPIED, REPRODUCED OR DISCLOSED, IN PART OR WHOLE TO A THIRD PARTY WITHOUT PRIOR WRITTEN PERMISSION.

SOUNDCRAFT
HARMAN INT. INDUSTRIES LTD.
CRANBORNE HOUSE,
CRANBORNE ROAD,
POTTERS BAR,
HERTS. EN9 3JN.
TEL: 01707 665000
FAX: 01707 660482

NOTES

DRN.	PMD	CN No.	INITIAL	DATE	ISSUE	TITLE	
DATE	30-11-00	PRE-PROD	PMD	30-11-00	01A	SPIRIT M12 STEREO INPUT 2	
MASTER IF RED		PRE-PROD	PMD	09-02-01	02A		
						DRG NO.	ED4098-02A
						SHT.15	OF 23



SOUNDCRAFT OWN THE COPYRIGHT OF THIS DRAWING WHICH IS NOT TO BE COPIED, REPRODUCED OR DISCLOSED, IN PART OR WHOLE TO A THIRD PARTY WITHOUT PRIOR WRITTEN PERMISSION.

SOUNDCRAFT
HARMAN INT. INDUSTRIES LTD.
CRANBORNE HOUSE,
CRANBORNE ROAD,
POTTERS BAR,
HERTS. EN9 3JN.
TEL: 01707 665000
FAX: 01707 660482

NOTES

DRN. PMD
DATE 30-11-00
MASTER IF RED

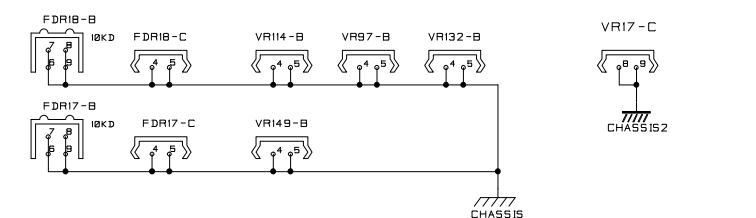
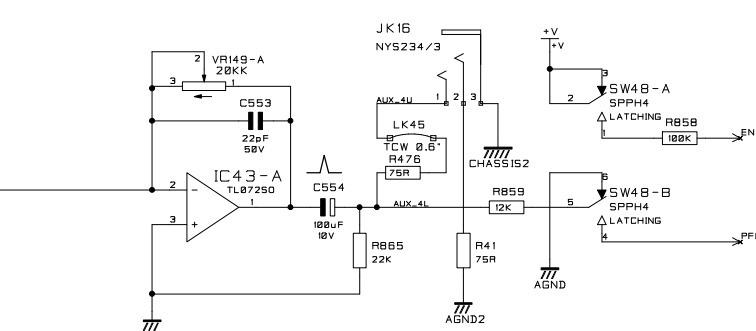
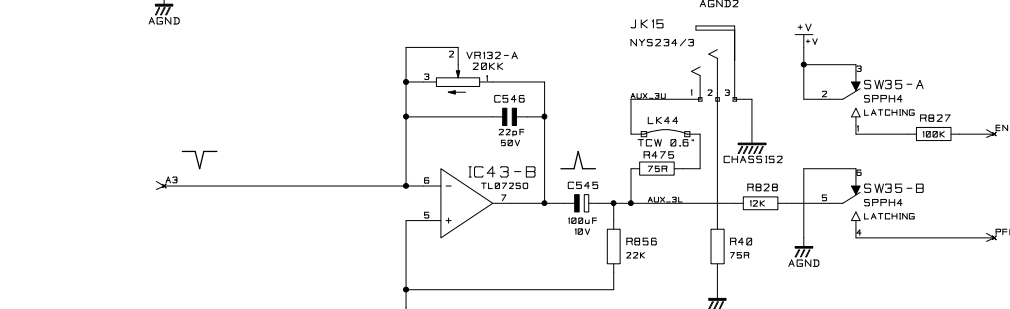
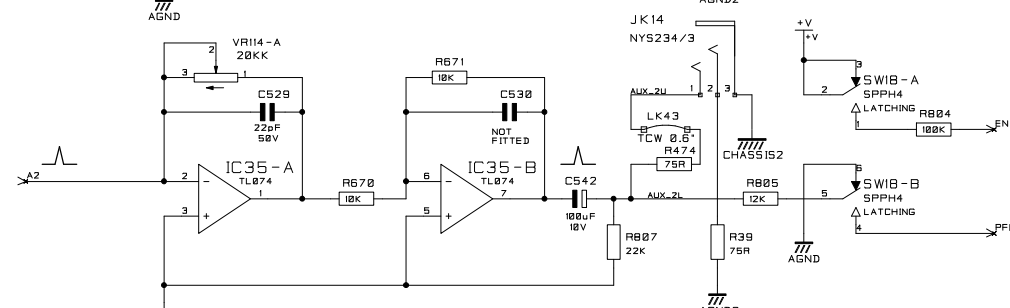
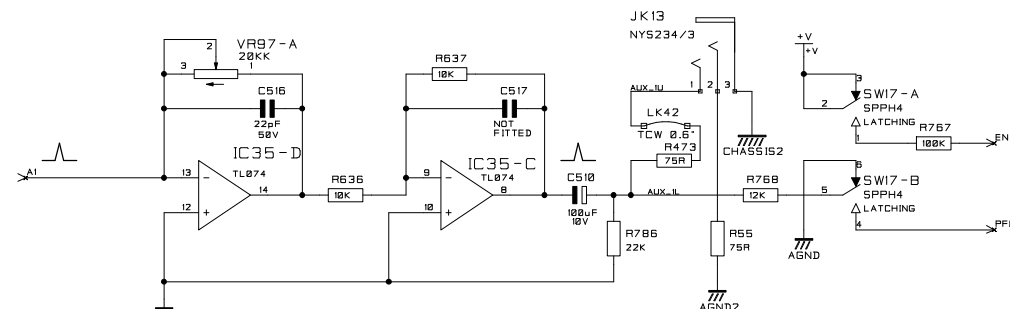
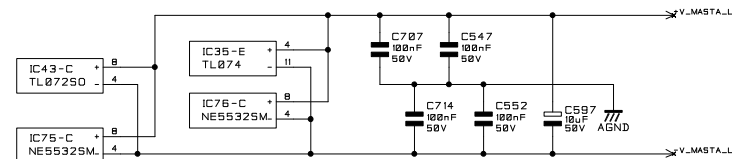
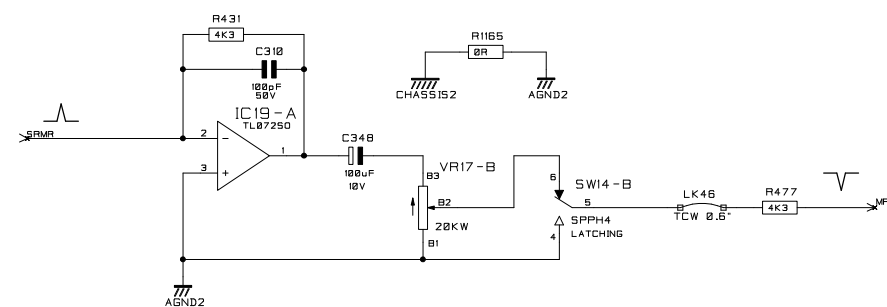
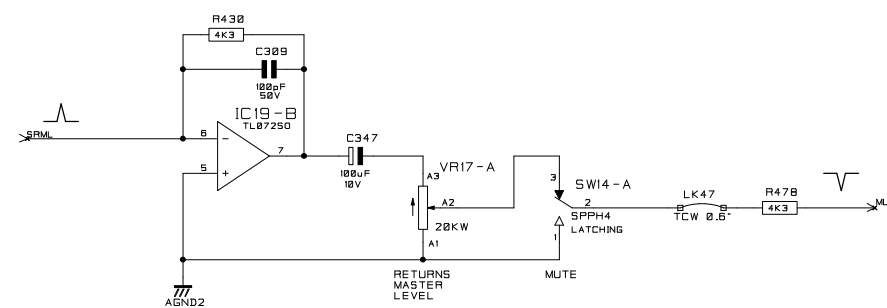
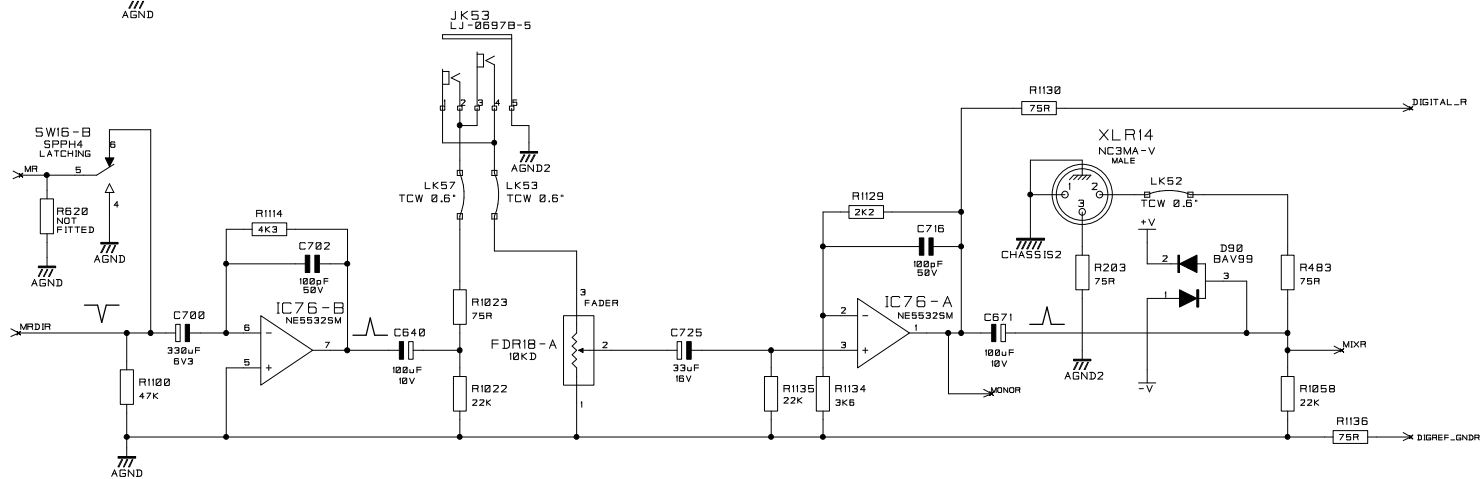
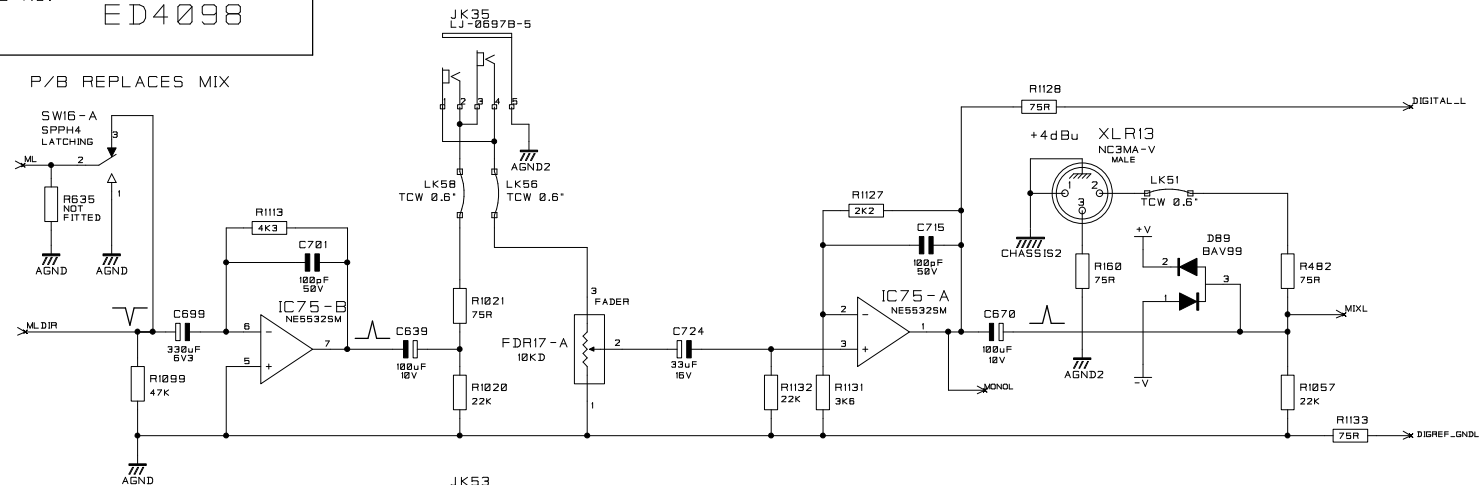
CN No.	INITIAL	DATE	ISSUE	TITLE
PRE-PROD	PMD	30-11-00	01A	SPIRIT M12 STEREO INPUT 3
PRE-PROD	PMD	09-02-01	02A	

DRG NO. ED4098-02A SHT.16 OF 23

DRG NO.

ED4098

P/B REPLACES MIX



SOUNDCRAFT OWN THE COPYRIGHT OF THIS DRAWING WHICH IS NOT TO BE COPIED, REPRODUCED OR DISCLOSED, IN PART OR WHOLE TO A THIRD PARTY WITHOUT PRIOR WRITTEN PERMISSION.

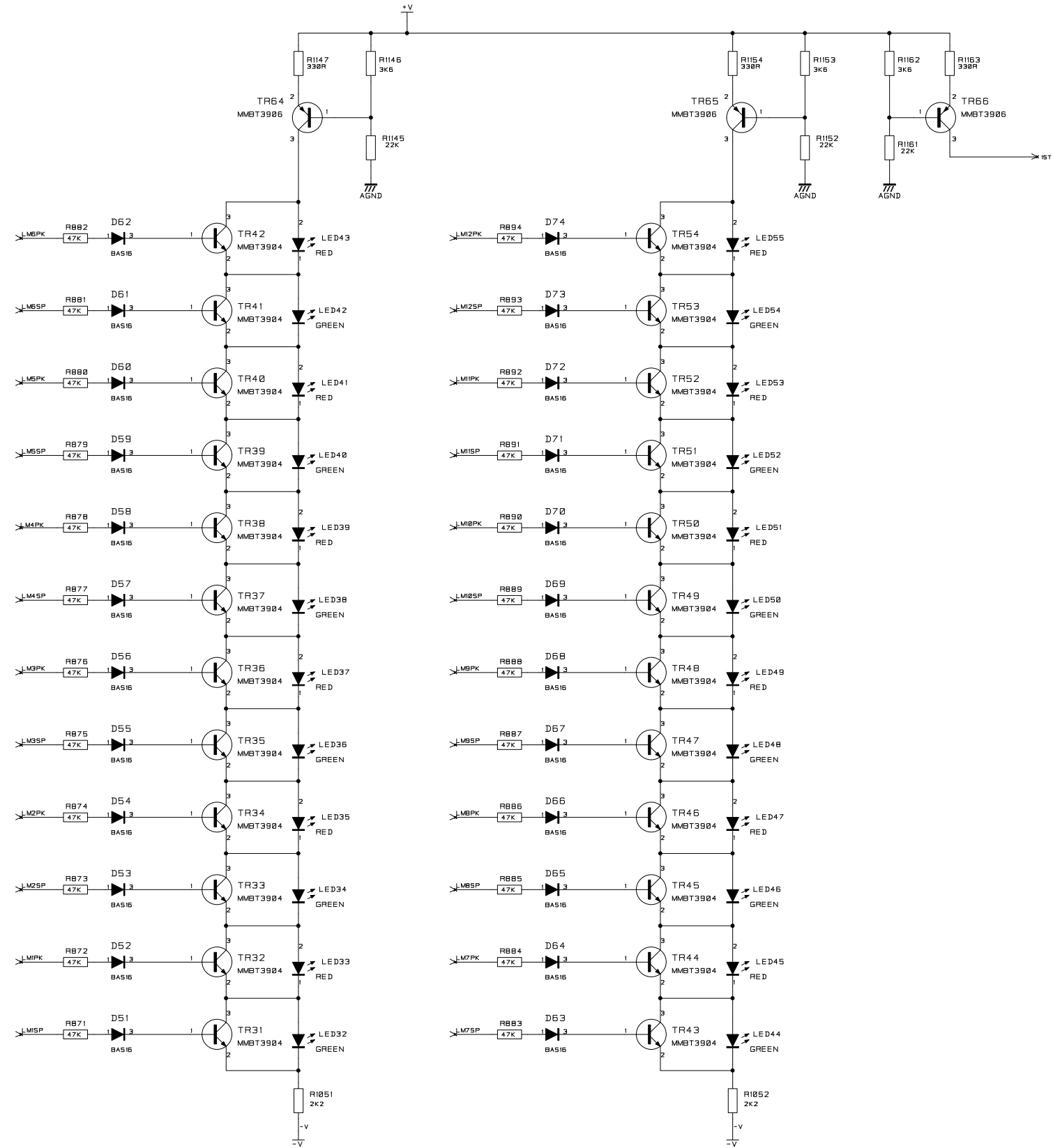
SOUNDCRAFT
HARMAN INT. INDUSTRIES LTD.
CRANBORNE HOUSE,
CRANBORNE ROAD,
POTTERS BAR,
HERTS. EN9 3JN.
TEL: 01707 665000
FAX: 01707 660482

NOTES

DRN.	PMD	CN No.	INITIAL	DATE	ISSUE	TITLE
DATE	30-11-00	PRE-PROD	PMD	30-11-00	01A	SPIRIT M12 MASTER A
MASTER IF RED		PRE-PROD	PMD	09-02-01	02A	
						DRG NO. ED4098-02A
						SHT.18 OF 23

DRG NO.

ED4098



SOUNDCRAFT OWN THE COPYRIGHT OF THIS DRAWING WHICH IS NOT TO BE COPIED, REPRODUCED OR DISCLOSED, IN PART OR WHOLE TO A THIRD PARTY WITHOUT PRIOR WRITTEN PERMISSION.

SOUNDCRAFT
HARMAN INT. INDUSTRIES LTD.
CRANBORNE HOUSE,
CRANBORNE ROAD,
POTTERS BAR,
HERTS. EN6 3JN.
TEL: 01707 665000
FAX: 01707 660482

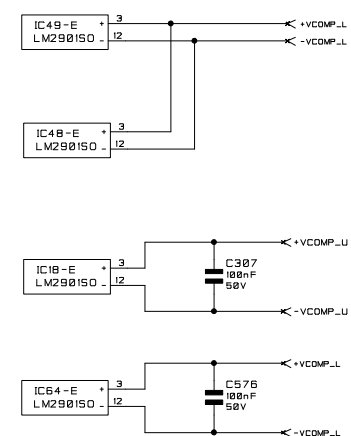
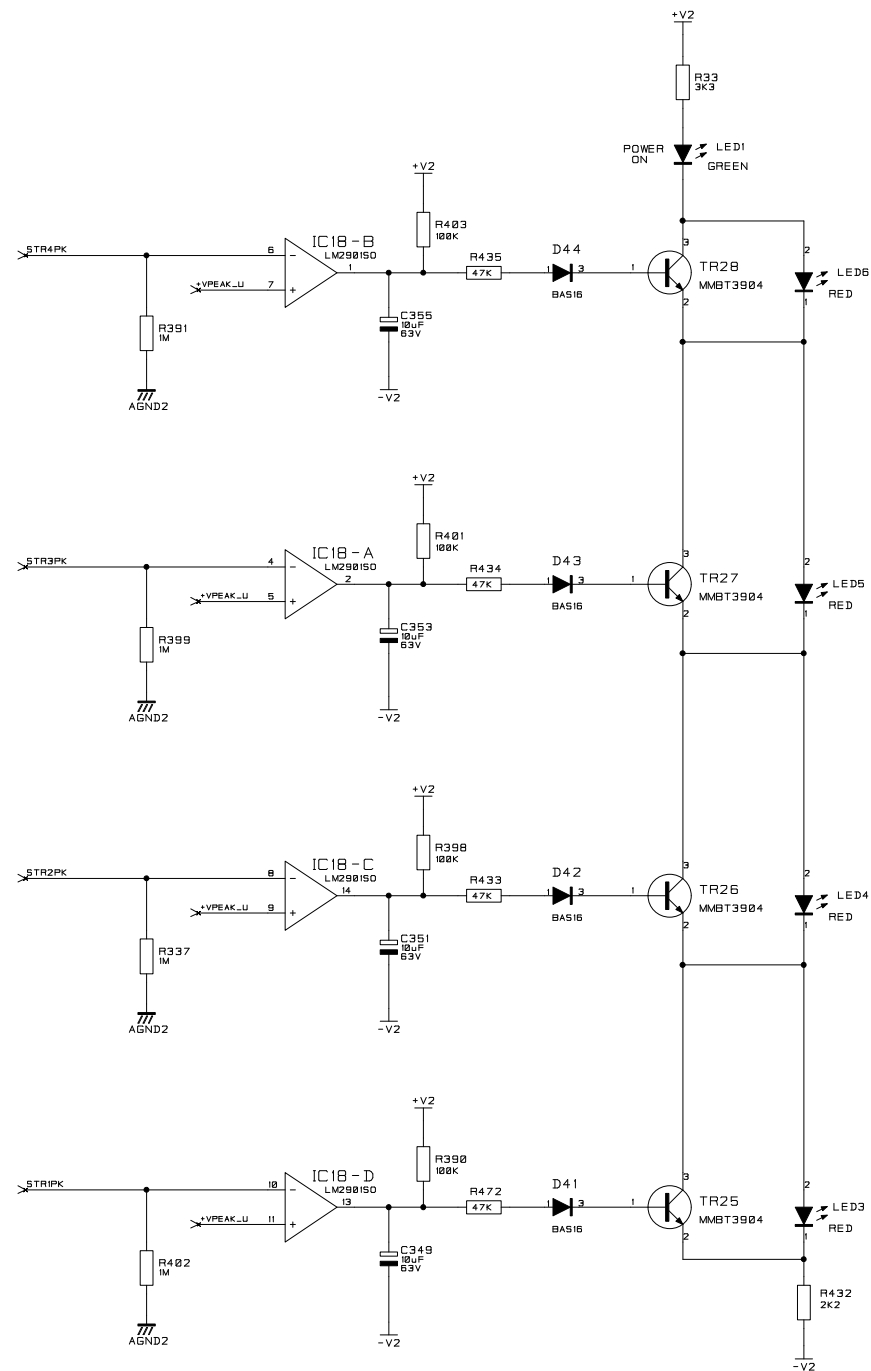
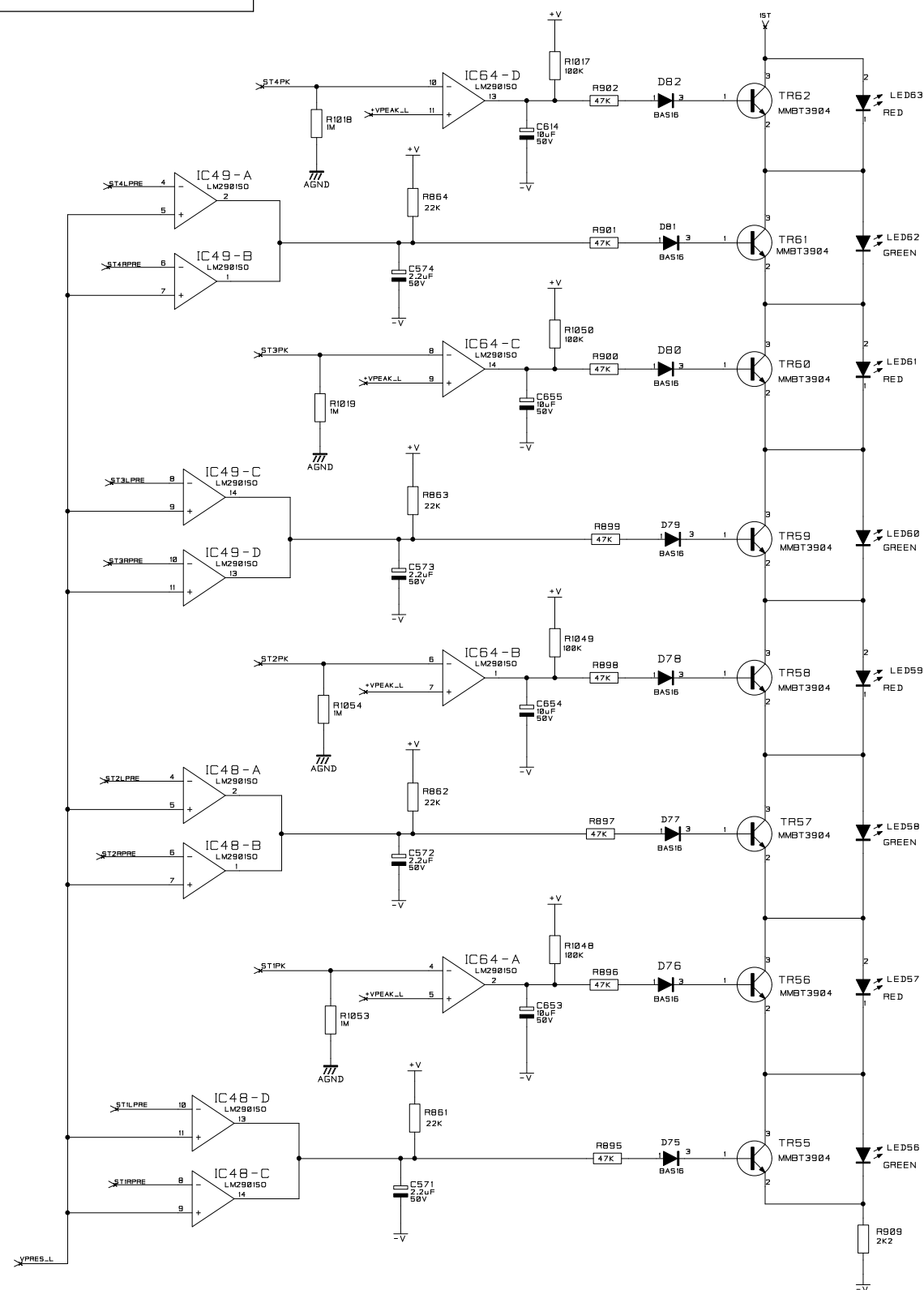
NOTES

DRN.	CN No.	INITIAL	DATE	ISSUE	TITLE
PMD	PRE-PROD	PMD	30-11-00	01A	SPIRIT M12 MONO PEAK LEDS
DATE	PRE-PROD	PMD	09-02-01	02A	
30-11-00					
MASTER IF RED					

DRG NO. ED4098-02A SHT.20 OF 23

DRG NO.

ED4098



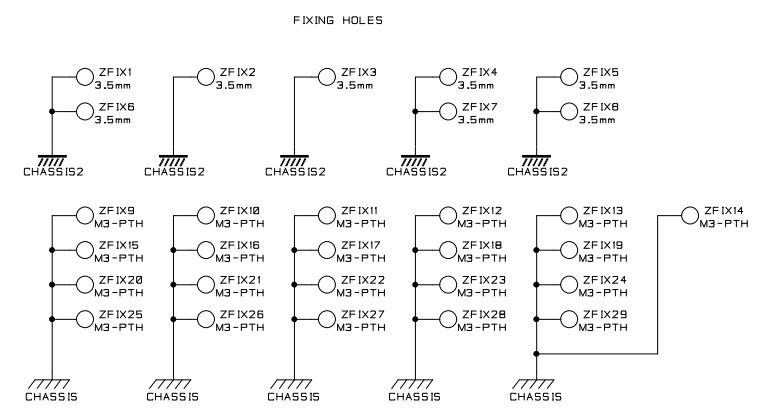
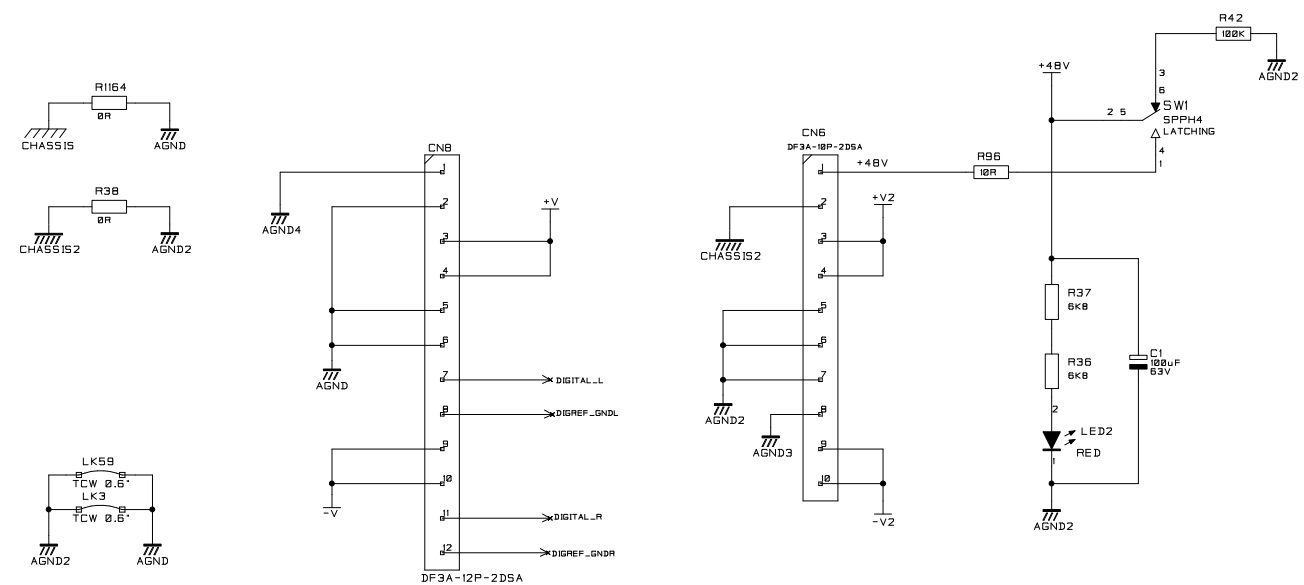
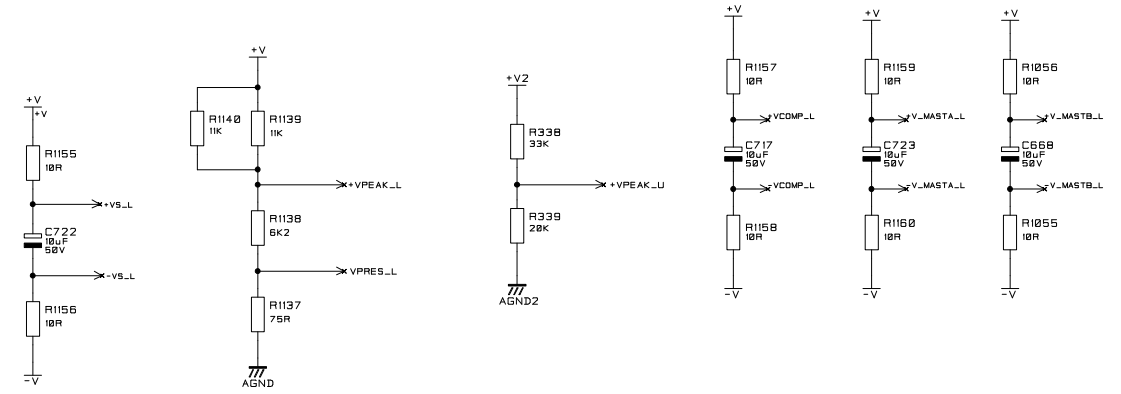
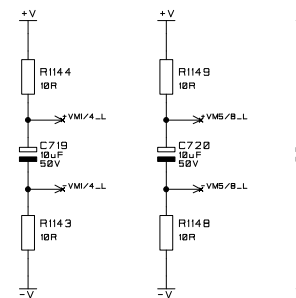
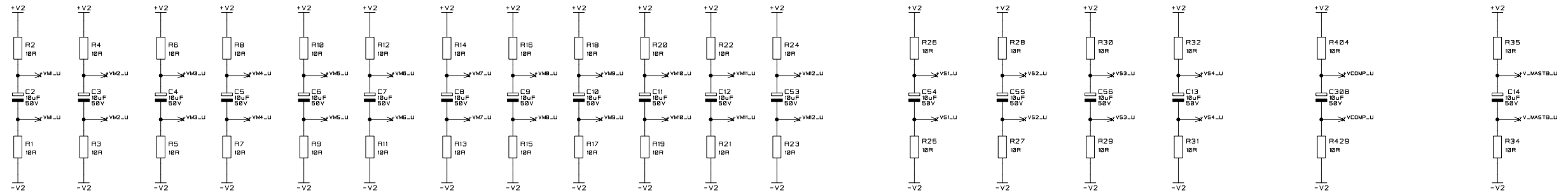
SOUNDCRAFT OWN THE COPYRIGHT OF THIS DRAWING WHICH IS NOT TO BE COPIED, REPRODUCED OR DISCLOSED, IN PART OR WHOLE TO A THIRD PARTY WITHOUT PRIOR WRITTEN PERMISSION.

SOUNDCRAFT
HARMAN INT. INDUSTRIES LTD.
CRANBORNE HOUSE,
CRANBORNE ROAD,
POTTERS BAR,
HERTS. EN9 3JN.
TEL: 01707 665000
FAX: 01707 660402

NOTES

DRN.	PMD	CN No.	INITIAL	DATE	ISSUE	TITLE
DATE	30-11-00	PRE-PROD	PMD	30-11-00	01A	SPIRIT M12 STEREO LEDS
MASTER IF RED		PRE-PROD	PMD	09-02-01	02A	

DRG NO. ED4098-02A SHT.21 OF 23



SOUNDCRAFT OWN THE COPYRIGHT OF THIS DRAWING WHICH IS NOT TO BE COPIED, REPRODUCED OR DISCLOSED, IN PART OR WHOLE TO A THIRD PARTY WITHOUT PRIOR WRITTEN PERMISSION.

SOUNDCRAFT
HARMAN INT. INDUSTRIES LTD.
CRANBORNE HOUSE,
CRANBORNE ROAD,
POTTERS BAR,
HERTS. EN6 3JN.
TEL: 01707 665000
FAX: 01707 660402

NOTES

DRN.	PMD	CN No.	INITIAL	DATE	ISSUE	TITLE	SPIRIT M12 POWER
DATE	30-11-00	PRE-PROD	PMD	30-11-00	01A	DRG NO. ED4098-02A	
MASTER IF RED		PRE-PROD	PMD	09-02-01	02A		