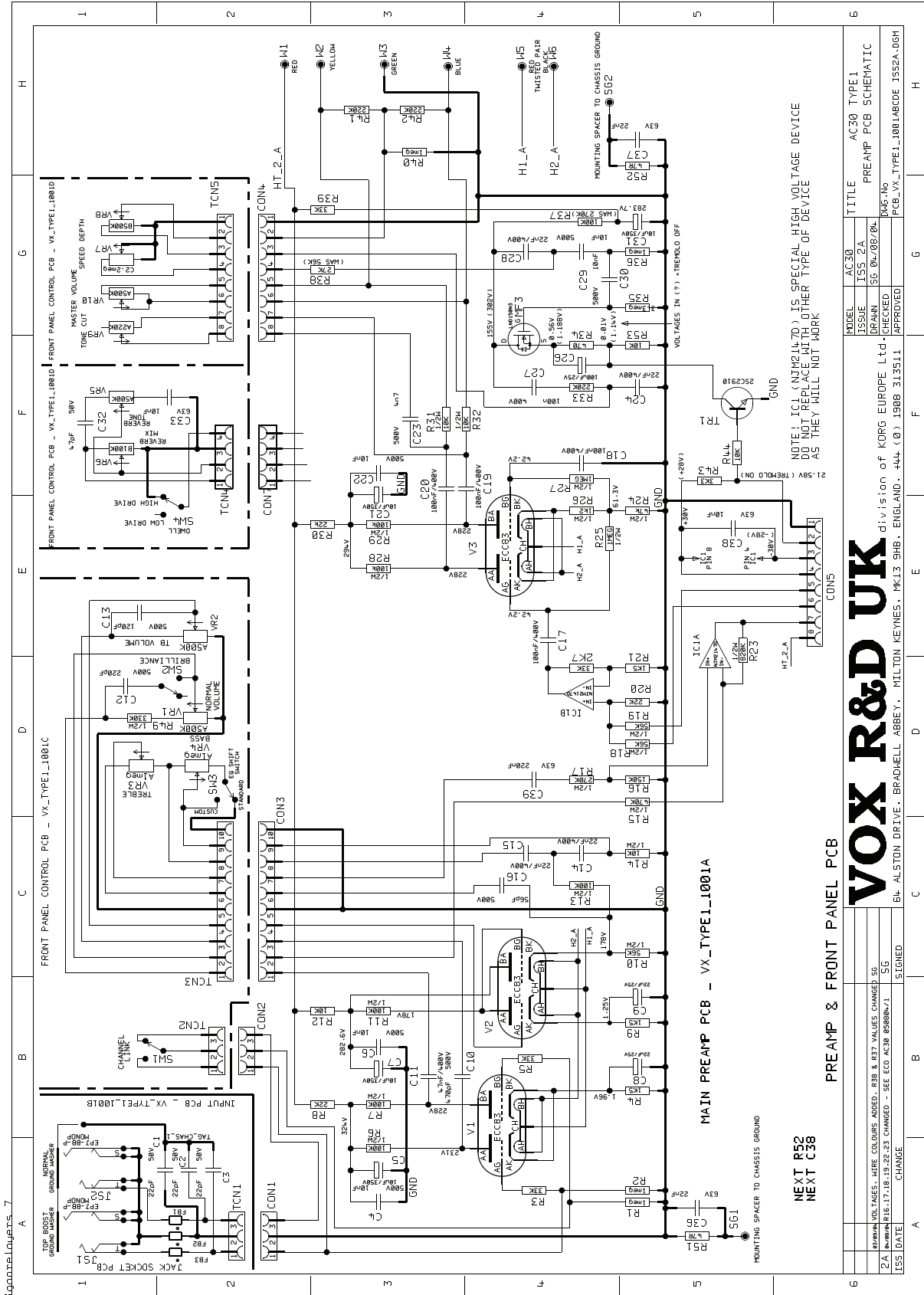


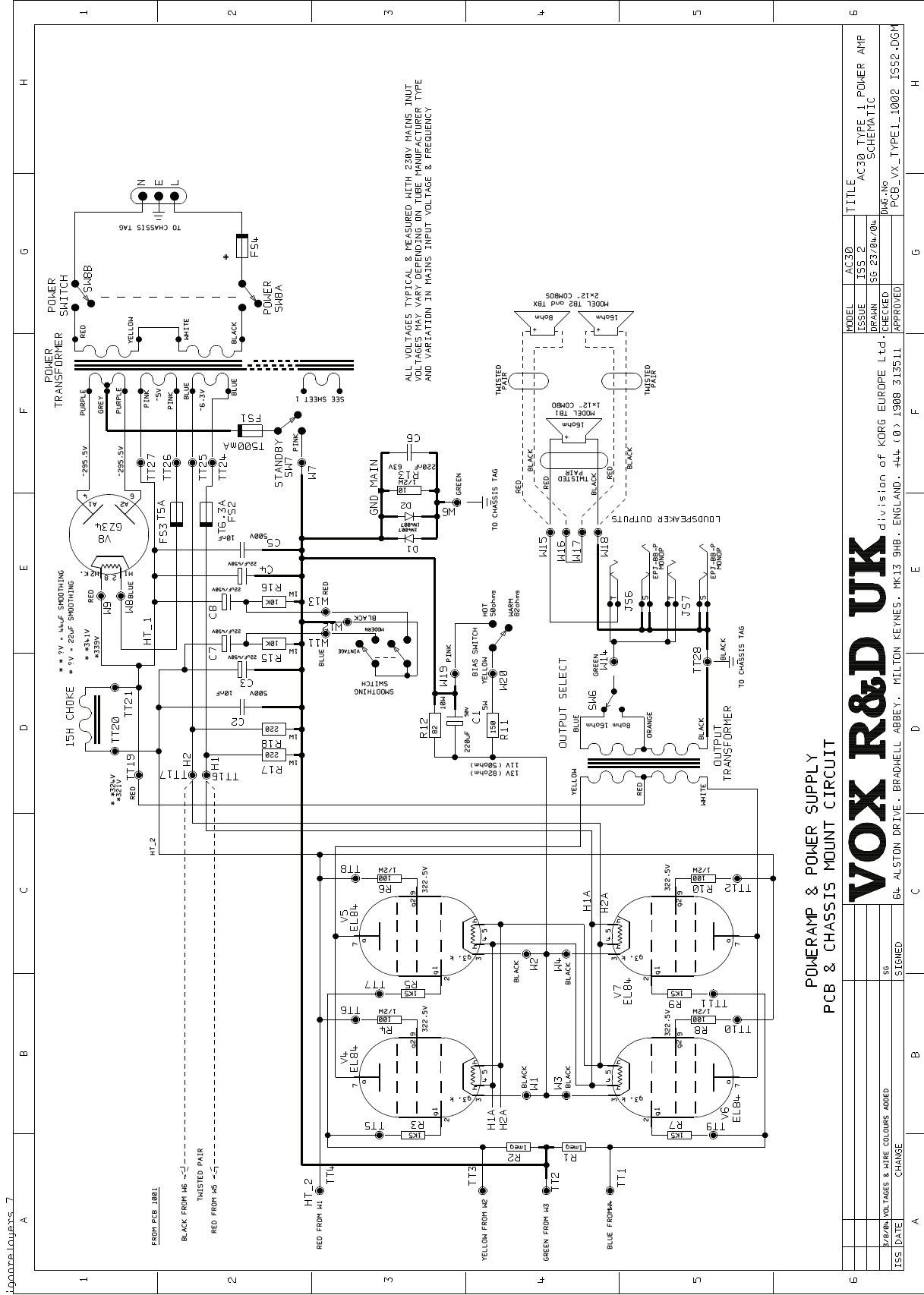
★ SCHEMATIC DIAGRAM (AMP)

AC30CC2



★ SCHEMATIC DIAGRAM(AMP)

AC30CC2



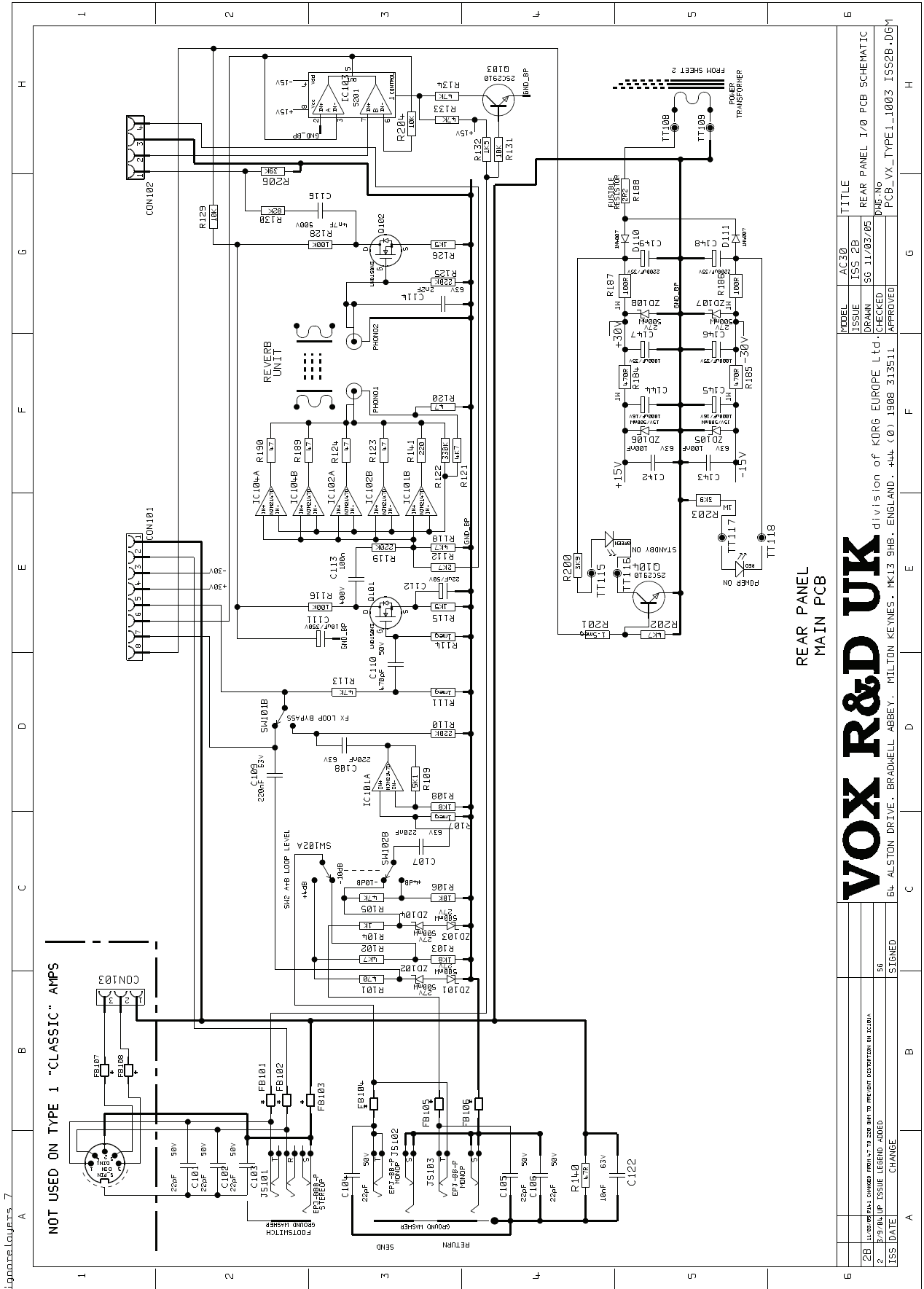
POWERAMP & POWER SUPPLY
PCB & CHASSIS MOUNT CIRCUIT

VOX R&D UK

division of KORG EUROPE Ltd.
64 ALSTON DRIVE, BRADWELL ABBEY, MILTON KEYNES, MK13 9BH, ENGLAND. +44 (0) 1908 313511

★ SCHEMATIC DIAGRAM(AMP)

AC30CC2



REAR PANEL
MAIN PCB

MODEL	AC30	TITLE	REAR PANEL I/O PCB SCHEMATIC
ISSUE	ISS 2B	DRAWN	SG 11/03/05
ISS DATE	11/03/05	CHECKED	
DESIGN	ISS 2B	APPROVED	
PCB_VX_TYPE	ISS2B.DG1		

division of KORG EUROPE Ltd.
MILTON KEYNES, MK13 9HB, ENGLAND. +44 (0) 1908 313511

VOX R&D UK

REVISION	DESCRIPTION
2B	ISS 2B FINAL CHANGE FROM V1 TO 2B DUE TO PRELIMINARY OBSERVATION ON IC101A
2	5/2/05 PULL UP ISSUE LEGEND ADDED
1	ISS DATE CHANGE