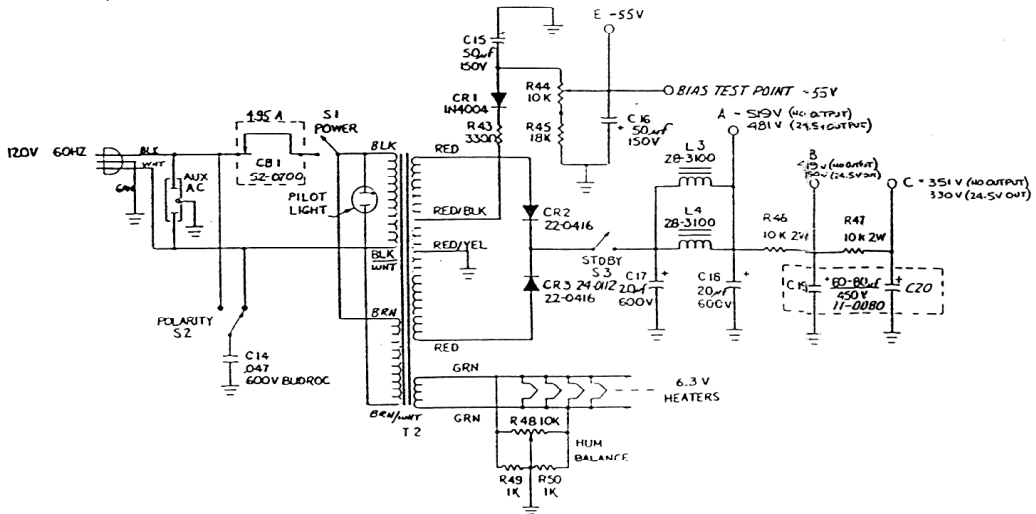


VOLTAGE CHART

| NO SIGNAL | 150 W RMS OUTPUT | NO SIGNAL | 150 W RMS OUTPUT |
|-----------|------------------|-----------|------------------|
| 207 | 210 | 251 | 251 |
| 171 | 165 | 507 | 472 |
| 232 | 219 | 504 | 459 |
| 203 | 193 | -53 | -53 |
| 191 | 191 | -53 | -53 |
| N.A. | N.A. | 505 | 456 |
| 1.3 | 1.2 | 508 | 472 |
| 271 | 271 | 25 | 24 |
| 30 | 30 | 22.5 | 22.5 |



- VOLTAGES TAKEN UNDER FOLLOWING CONDITIONS:
- INPUT = 1KHz SINE WAVE INTO "BOTH IN" JACK (SEE 5)
 - CONTROLS: BOTH BRITE & NORMAL VOLUMES SET AT "10"
BASS, MID, TREBLE & MASTER VOL SET AT "10"
PRESENCE CONTROL SET FOR "10"
 - LOAD: 4 OHM RESISTIVE OUTPUT SELECTOR SET AT 4Ω - ADD INPUT SIGNAL LEVEL TO GIVE 24.5V RMS ACROSS LOAD
- HUM BALANCE:
HUM BALANCE SET FOR MIN. HUM WITH INPUT "BOTH IN" OPEN.
NOTE: PREAMP STAGES MUST BE SHIELDED FOR THIS ADJUSTMENT.
IF NO SHIELD AVAILABLE, ADJUST WITH AMPLIFIER IN ITS CABINET. ALL CONTROLS SET AT "10"
- BIAS: BIAS SET FOR -55 VOLTS WITH STANDBY SWITCH "ON"

ABBREVIATIONS

| | |
|-----|--------|
| YEL | YELLOW |
| BLU | BLUE |
| BLK | BLACK |
| GRN | GREEN |
| WHT | WHITE |
| BRN | BROWN |

NOTES

ALL RESISTORS 1/2W 5% UNLESS NOTED

TONE POTS R15 R16 R18 ALSO R44 R48 ARE LINEAR TAPER

R23 IS REVERSE LOG

R8 R9 R19 ARE LINEAR TAPER

A ECN 441 9/25 1973

SUNN
Sunn Musical Equipment Company
10000 10th Street
Berkeley, CA 94702

MODEL "T" D-1029 A