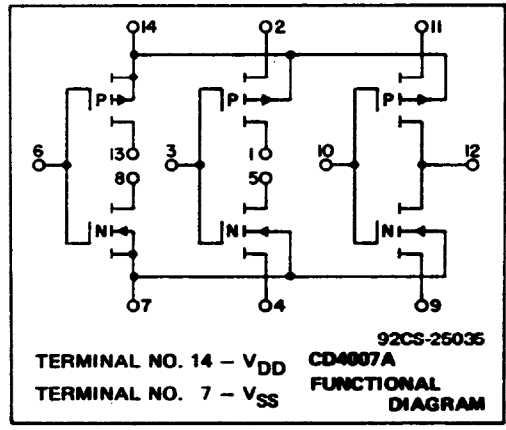
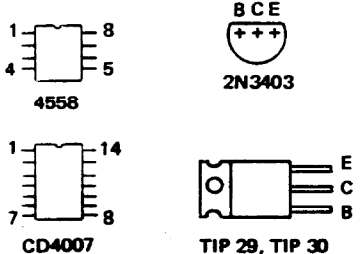


NOTES:

- UNLESS OTHERWISE SPECIFIED - ALL RESISTORS ARE IN OHMS $\times W$, + 5% ALL CAPACITORS ARE IN MFD (μf) ALL DIODES ARE 1N4148
- 2. SELECTED PRODUCTION RUNS WILL HAVE PARTS ELEVATED ABOVE PRINTED CIRCUIT BOARD.
- 3. COMPONENT BASING DIAGRAMS, TOP VIEWS:



MODEL L3

FIGURE 6-4 L3 GUITAR AMPLIFIER COMPOSITE SCHEMATIC DIAGRAM