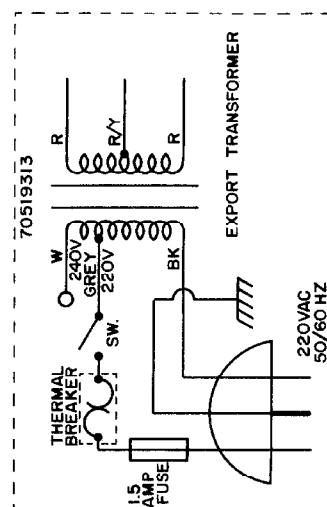
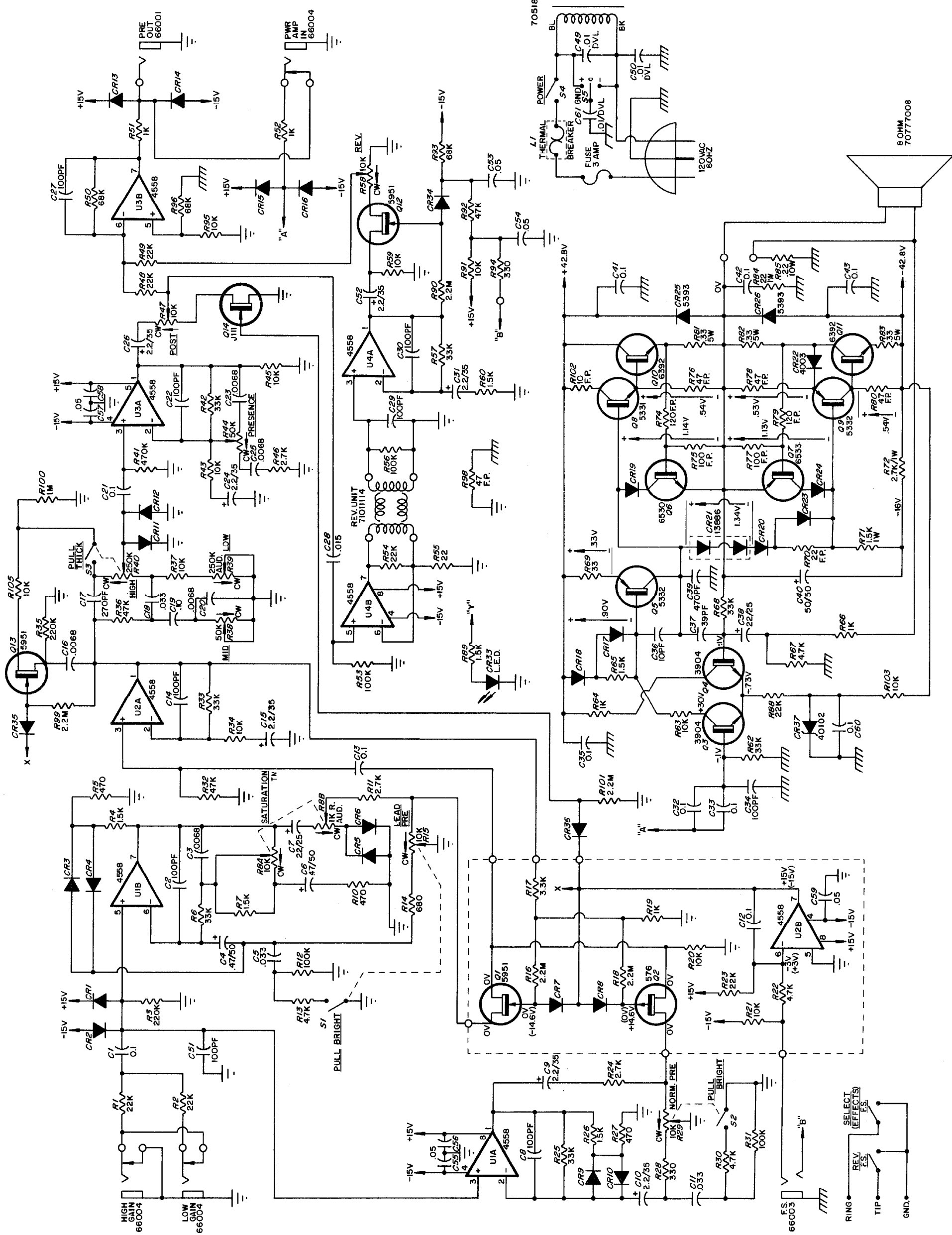


# BANDIT 65

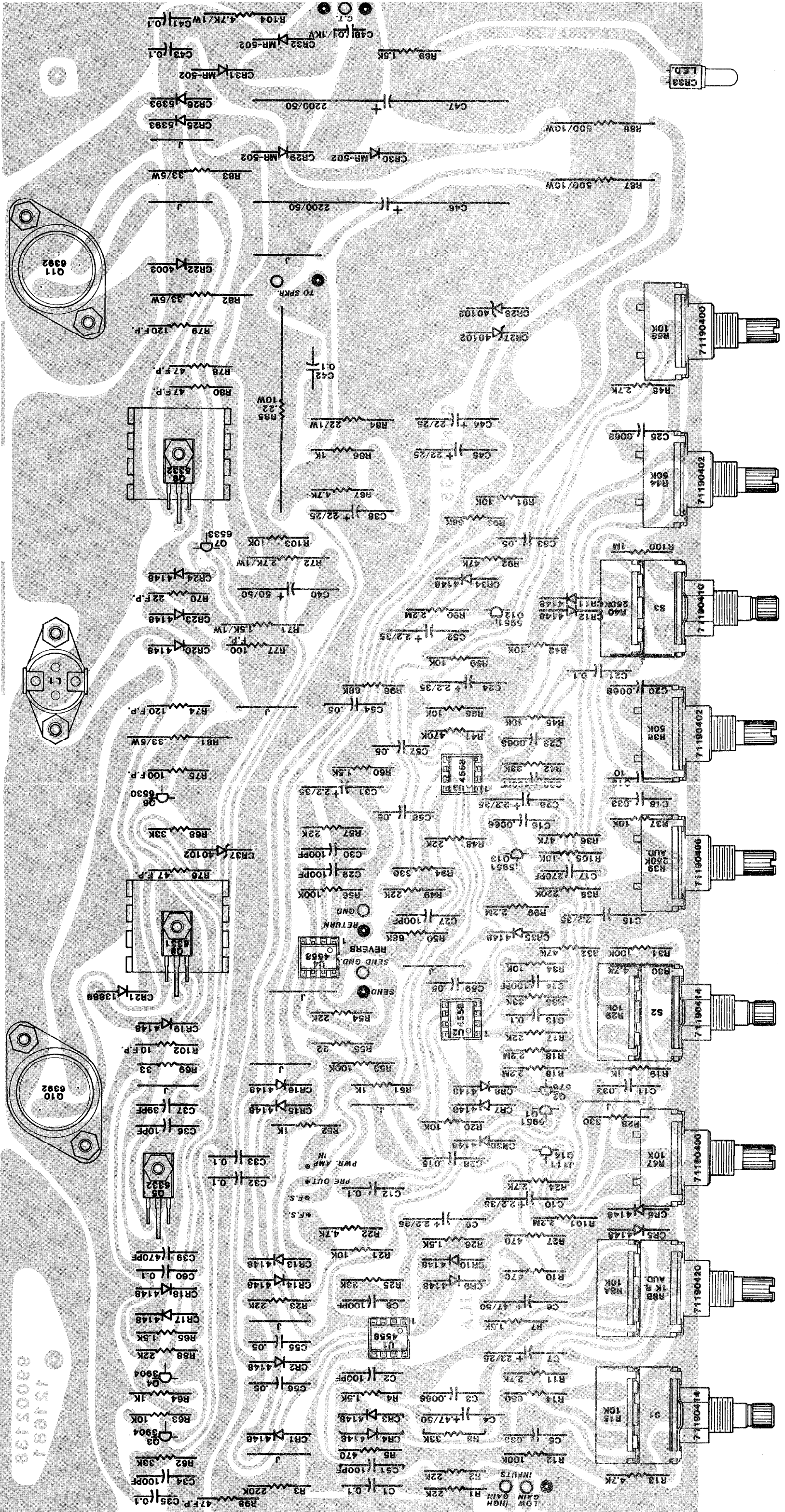
BD.# 99002138  
(12/16/81)  
(2/1/82)

**NOTES**  
ALL POTS ARE LINEAR UNLESS NOTED  
ALL RESISTORS 1/4W UNLESS NOTED  
ALL RESISTORS IN OHMS UNLESS NOTED  
ALL CAPACITORS IN MFD UNLESS NOTED  
ALL DIODES IN4148 UNLESS NOTED  
LAST REF. DESIGNATOR USED:  
R105 C61 CR37 Q14 S5 U4  
VOLTAGES IN ( ) ARE WITH FOOTSWITCH CLOSED  
VOLTAGES MAY VARY FROM UNIT TO UNIT  
**BUILT UNDER U.S. PATENT NO. 4,405,832**



REVISED 2/21/83 R24	DATE 10-21-80
REVISED 2/3/82 R24	
PEAVEY ELECTRONICS CORP. MERIDIAN, MS.	
DRAWN BY R24	C.B. CHECK BY R24
APPR. BY R24	

151801  
8815000



PRE/PULL BRIGHT  
SATURATION LEAD GAIN  
POST  
PRE/PULL BRIGHT NORM. GAIN  
LOW  
MID  
HIGH/PULL THICK  
PRESENCE  
REVERB MASTER

**BANDIT® 65**