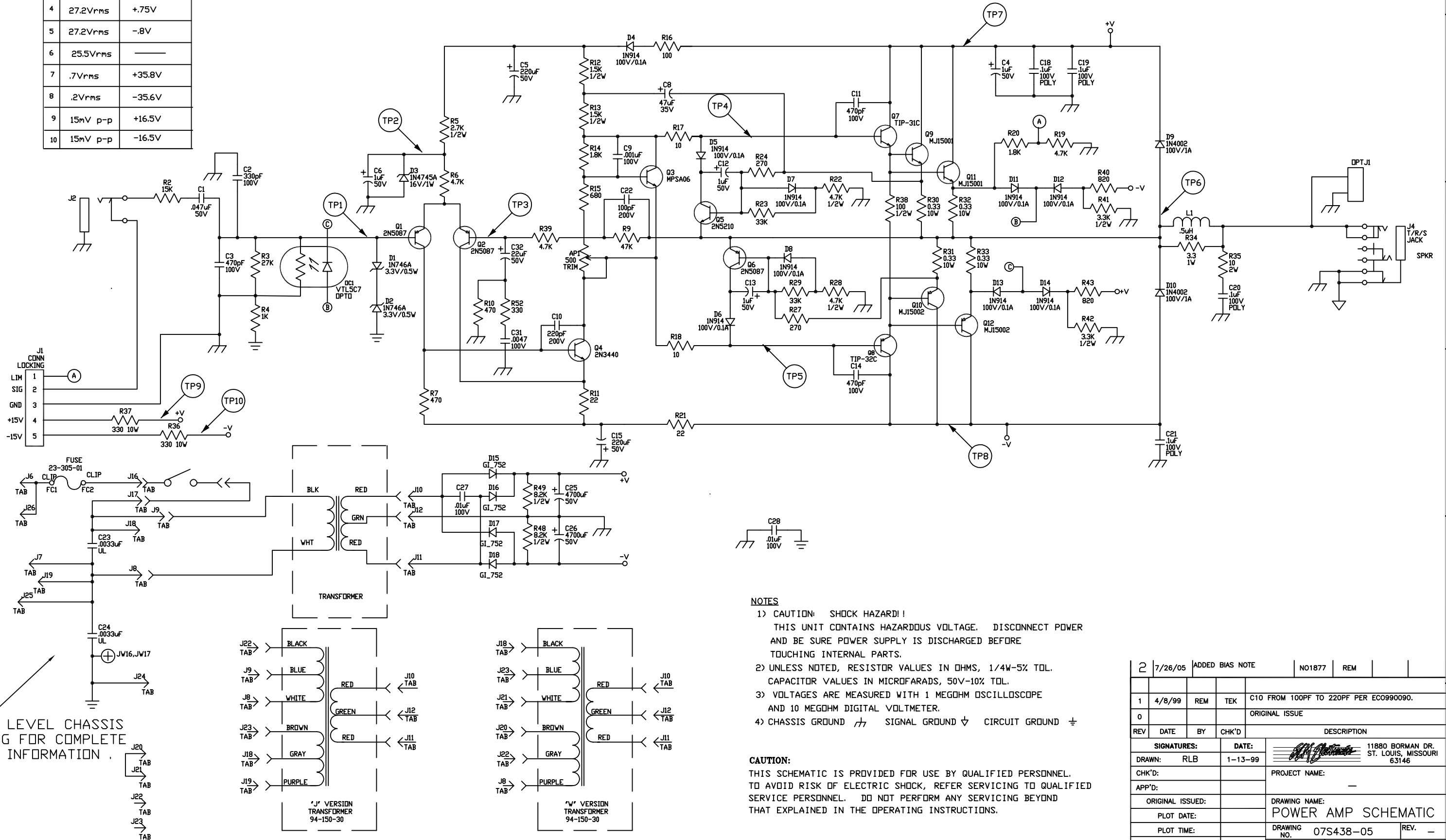


INPUT SIGNAL : 1.07p-p LIMITER DEFEATED @ 1KHz
4 OHM LOAD, 1 KHZ INPUT

T.P.	AC VOLTAGE	DC VOLTAGE
1	256mVrms	—
2	2.8mVrms	15.6V
3	244mVrms	—
4	27.2Vrms	+7.5V
5	27.2Vrms	-8V
6	25.5Vrms	—
7	.7Vrms	+35.8V
8	.2Vrms	-35.6V
9	15mV p-p	+16.5V
10	15mV p-p	-16.5V

TO SET BIAS VOLTAGE, ADJUST AP1 FOR 4-7mV ACROSS R30, NO SIGNAL, NO LOAD.



NOTES

- 1) CAUTION: SHOCK HAZARD!! THIS UNIT CONTAINS HAZARDOUS VOLTAGE. DISCONNECT POWER AND BE SURE POWER SUPPLY IS DISCHARGED BEFORE TOUCHING INTERNAL PARTS.
- 2) UNLESS NOTED, RESISTOR VALUES IN OHMS, 1/4W-5% TOL. CAPACITOR VALUES IN MICROFARADS, 50V-10% TOL.
- 3) VOLTAGES ARE MEASURED WITH 1 MEGOHM OSCILLOSCOPE AND 10 MEGOHM DIGITAL VOLTMETER.
- 4) CHASSIS GROUND ⏏ SIGNAL GROUND ⏏ CIRCUIT GROUND ⏏

CAUTION:
THIS SCHEMATIC IS PROVIDED FOR USE BY QUALIFIED PERSONNEL. TO AVOID RISK OF ELECTRIC SHOCK, REFER SERVICING TO QUALIFIED SERVICE PERSONNEL. DO NOT PERFORM ANY SERVICING BEYOND THAT EXPLAINED IN THE OPERATING INSTRUCTIONS.

2	7/26/05	ADDED BIAS NOTE		N01877	REM	
1	4/8/99	REM	TEK	C10 FROM 100PF TO 220PF PER ECO990090.		
0				ORIGINAL ISSUE		
REV	DATE	BY	CHK'D	DESCRIPTION		
SIGNATURES:		DATE:		11880 BORMAN DR. ST. LOUIS, MISSOURI 63146		
DRAWN: RLB		1-13-99		PROJECT NAME:		
CHK'D:				DRAWING NAME: POWER AMP SCHEMATIC		
APP'D:				DRAWING NO. 07S438-05		
ORIGINAL ISSUED:				REV. —		
PLOT DATE:				SCALE: 1:1		
PLOT TIME:				SHEET: 1 OF 1		
FILE NAME:						

SEE 16 LEVEL CHASSIS DRAWING FOR COMPLETE WIRING INFORMATION.