

# ALLEN & HEATH



## PA Series

1kW Powered & Unpowered Audio Consoles

## SERVICE INFORMATION

Publication AP5288

## Introduction

This publication provides technical information on servicing the Allen & Heath **PA Series** consoles. Included are system block diagram, internal layout drawing and circuit schematics with board layouts and spare parts lists. Whilst we believe this information to be reliable we do not assume responsibility for inaccuracies. We also reserve the right to make changes in the interest of further product development.

## Additional Resources

Allen & Heath web site	<a href="http://www.allen-heath.com">www.allen-heath.com</a>	Product information Technical downloads Distribution contacts Company contacts
Technical support	<a href="mailto:support@allen-heath.com">support@allen-heath.com</a>	See web for local contact
Effects editor software	PA-FX Editor	Download from web site
<b>PA-CP</b> user guide	AP4956	Operating instructions Performance specification
<b>PA</b> user guide	AP5195	Operating instructions Performance specification

### PA Series Service Information

Issue status: pa\_series\_ap5288\_6.doc

Print date: 08 December 2004

Copyright © 2004 Allen & Heath. All rights reserved

# ALLEN&HEATH

Allen & Heath Limited

Kernick Industrial Estate, Penryn, Cornwall, TR10 9LU, UK

<http://www.allen-heath.com>



## Servicing Precautions – General Notes

- Service personnel:** Service work should be carried out by technically qualified service personnel only. Mains power is dangerous and can kill. Do not attempt to work on a linear or switched mode power supply if you are not suitably qualified to do so. Do not attempt to repair surface mount circuit assemblies unless you are suitably qualified and have the necessary facilities to do so. Replacement circuit assemblies can be ordered.
- Service facilities:** Ensure a suitably sized work surface is available. Ensure this is clear of dirt, debris and obstructions which may damage the equipment surfaces. Ensure adequate lighting. Use the correct tools for the job and ensure they are in good working order. Ensure all workshop safety requirements are adhered to.
- Service information:** Check that you have all the information you need before starting the service job. Refer to the Allen & Heath web site or contact Allen & Heath technical support for details on the latest information. Full technical information can be downloaded from the web site Distributor Zone (password required).
- Mains power:** Connect the equipment to mains power only of the type described in the user guide and marked on the rear panel. The power source must provide a good ground connection. Ensure you always use an isolation transformer when working on any mains power supply unit.
- Mains cord and fuse:** Use the correct power cord as supplied with the equipment. Do not remove or tamper with the ground connection in the power cord. Heed the Important Mains Plug Wiring Instructions printed in the user guide if it is necessary to rewire the mains cord. Always replace the equipment mains fuse with the correct type and rating as described in the user guide and marked on the equipment panel.
- Opening the unit:** Switch off and remove the mains power cord before opening the equipment. Ensure all power supply covers and safety shields are in place before applying power with the unit open for diagnostic fault finding.
- Closing the unit:** Before finishing, check the quality and accuracy of the service work carried out. Remove any dirt or debris as this may cause equipment failure in the future. Ensure all assemblies, harnesses and connectors are correctly aligned and plugged in. Ensure that jumper settings and control configurations are correctly set according to the requirements of the customer.
- Testing the unit:** Before operating the equipment, read and adhere to the Important Safety Instructions printed in the user guide. Test that the service work has been successfully carried out.
- Shipping the unit:** Use adequate packing such as the original packaging or purpose designed flight case if you need to ship the unit. To avoid injury to yourself or damage to the equipment take care when lifting, moving or carrying the equipment.



## Servicing Notes – PA-CP

- User maintenance:** There are no user serviceable parts inside. It should not be necessary for the user to remove the cover or access internal parts.
- Technology:** The PA-CP uses conventional thru-hole and SMT (surface mount) PCB technology. It has a built-in linear regulated power supply which should be serviced by suitably qualified personnel only.
- Operation:** To test the console make sure it is connected as described in the user guide. Check that the voltage setting marked on the rear panel is correct for the local mains supply.
- Fault finding:** For effective fault diagnosis trace the signal flow through the circuit path. Refer to the system block diagram. Replacement circuit assemblies are available from Allen & Heath.

## Contents Log

Internal Layout drawing .....	pa_series_layout_3.pdf
Surface and Main Parts.....	pa_series_parts_4.pdf
PA-CP System Block Diagram.....	pa-cp_blockdiagram_2.pdf
PA System Block Diagram.....	pa_blockdiagram_2.pdf
PA-CP Mono Input Pcb.....	pa-cp_003-034_monoinput_1.1.pdf
PA Series Stereo Input PCB .....	pa_series_003-035_stereoinput_2.1.pdf
PA Series Aux / FX PCB.....	pa_series_003-036_auxfx_2.1.pdf
PA Series Sub 1 PCB.....	pa_series_003-037_sub1_1.1.pdf
PA Series FB1 / Phones PCB .....	pa_series_003-038_fb1phones_2.1.pdf
PA Series FB2 PCB.....	pa_series_003-039_fb2_1.1.pdf
PA-CP LR Master PCB .....	pa-cp_003-040_lrmaster_3.pdf
PA-CP Distribution PCB.....	pa-cp_003-041_distribution_2.pdf
PA Series Effects PCB .....	pa_series_003-042_effects_2.pdf
PA-CP Amplifier PCB .....	pa-cp_003-043_amplifier_4.pdf
PA-CP Power Supply PCB.....	pa-cp_003-069_linearpsu_3.2.pdf
PA-CP Power Supply PCB.....	pa-cp_003-069_linearpsu_3.3.pdf
PA Series FX LED PCB .....	pa_series_003-070_fxled_2.1.pdf
PA Mono Input PCB .....	pa_003-091_monoinput_1.2.pdf
PA LR Master PCB .....	pa_003-092_lrmaster_1.pdf
PA Distribution PCB .....	pa_003-093_distribution_1.pdf
PA Switched Mode Power Supply PCB .....	pa_003-094_smps_2.pdf
PA Switched Mode Power Supply PCB .....	pa_003-094_smps_4.pdf

## PA Series – Historical Change Log

The following list identifies historical changes to the **PA Series**. The effective dates, serial numbers and related change note documentation are included for reference to help identify the correct issue circuit boards and components. Whilst we believe this information to be reliable we do not assume responsibility for inaccuracies. We also reserve the right to make changes in the interest of further product development.

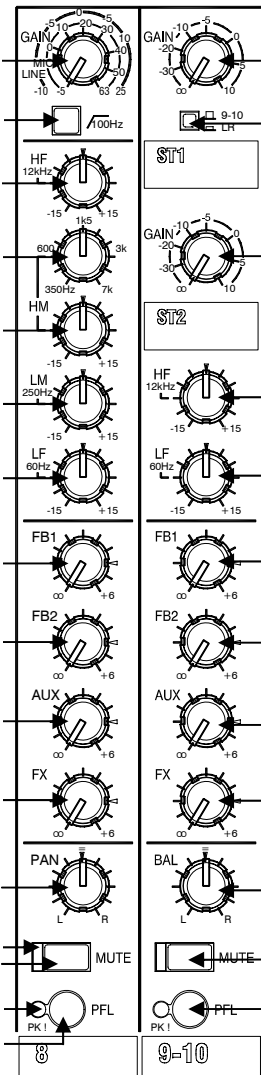
<b>Assembly</b>	<b>Description</b>	<b>From Serial Number</b>	<b>Date</b>	<b>Change Note Number</b>
<b>Main</b>	Fader change to add extra master fader	<b>019388</b>	16/06/03	917
<b>003-094</b>	PA SMPSU PCB Minimum current increase for TL783	<b>018930</b>	23/09/03	949
<b>003-069</b>	PA-CP Linear PSU PCB +/- 15V rail fuse value changes	<b>018780</b>	23/09/03	950
<b>003-094</b>	PA SMPSU PCB post regulation added – up-issue to issue 4	-	13/11/03	966
<b>003-034</b>	PA CP Mono Input 48V 22R type change	-	25/02/04	990

# PA Series Surface Parts



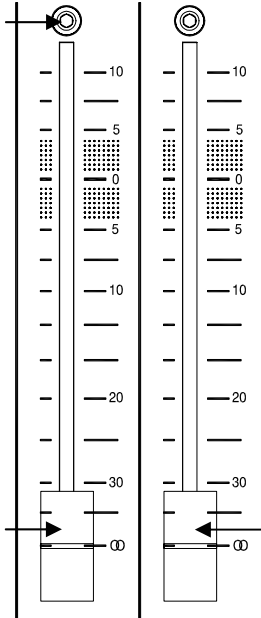
9MM POT NUT **AB8050**

- GREY-RED KNOB **AJ2074**  
14MM 5KRDx2 POT **AI8174**
- GREY PUSH BUTTON **AJ2864**  
LATCHING SWITCH **AL0162**
- GREY-L/BLUE KNOB **AJ2076**  
11MM 20KB C/D POT **AI8004**
- GREY-GREEN KNOB **AJ2077**  
11MM 200KCx2 POT **AI8005**
- 11MM 20KB C/D POT **AI8004**
- 11MM 20KB C/D POT **AI8004**
- 11MM 20KB C/D POT **AI8004**
- GREY-GREY KNOB **AJ2078**  
11MM 20KK POT **AI8003**
- 11MM 20KK POT **AI8003**
- GREY-BLUE KNOB **AJ2075**  
11MM 20KK POT **AI8003**
- GREY-YELLOW KNOB **AJ2079**  
11MM 20KK POT **AI8003**
- GREY-BROWN KNOB **AJ2080**  
14MM 10KACx2 C/D POT **AI8008**
- RED TOMBSTONE LED **AE4863**  
WHITE PUSH BUTTON **AJ2962**  
LATCHING SWITCH **AL0162**
- RED LED **AE0086**
- ROUND GREY PUSH BUTTON **AJ2864**  
LATCHING SWITCH **AL0162**

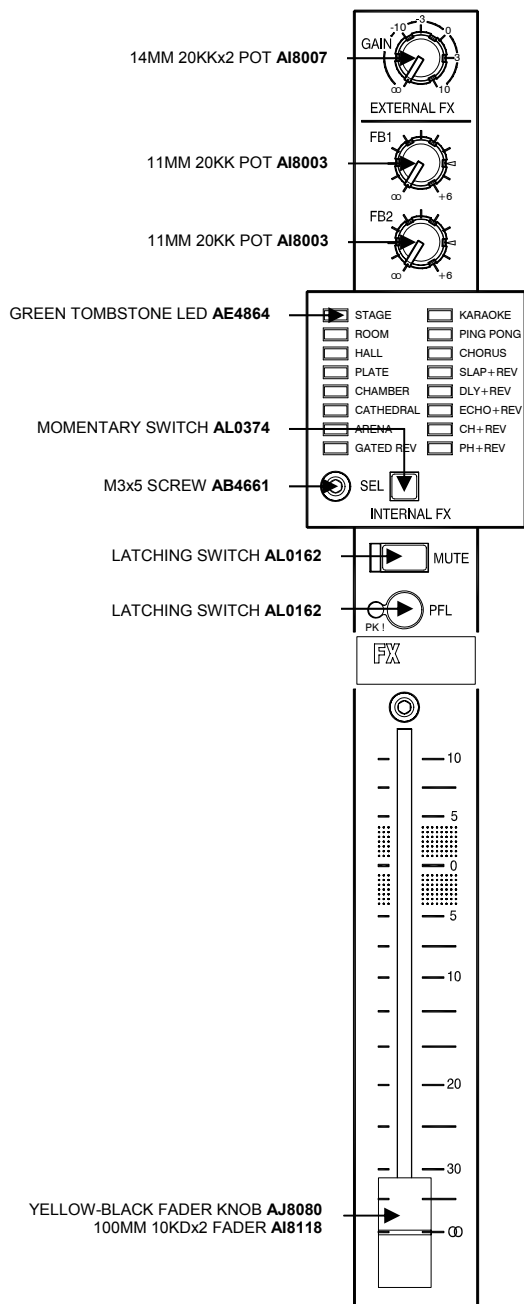


- 14MM 20KKx2 POT **AI8007**
- LATCHING SWITCH **AL0162**
- 14MM 20KKx2 POT **AI8007**
- 14MM 20KBx2 C/D POT **AI8006**
- 14MM 20KBx2 C/D POT **AI8006**
- 11MM 20KK POT **AI8003**
- 11MM 20KK POT **AI8003**
- 11MM 20KK POT **AI8003**
- 11MM 20KK POT **AI8003**
- 14MM 10KACx2 C/D POT **AI8008**
- LATCHING SWITCH **AL0162**
- LATCHING SWITCH **AL0162**

- M3x5 SCREW **AB4661**
- WHITE-BLACK FADER KNOB **AJ8078**  
100MM 10KD FADER **AI8117**

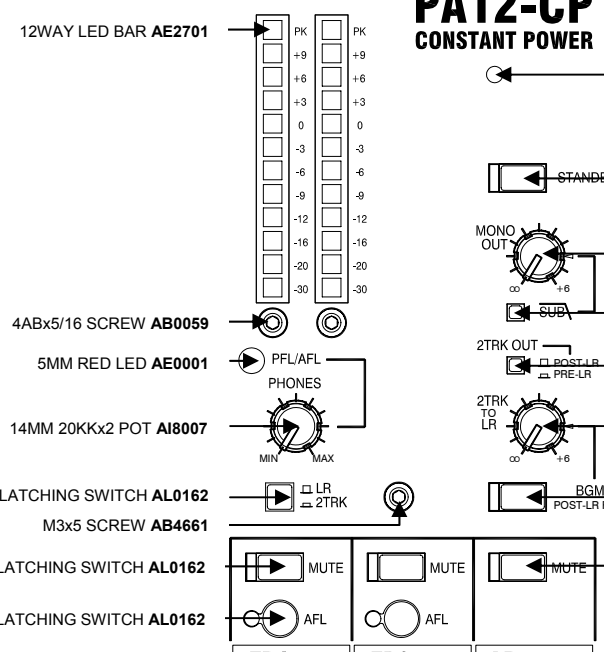
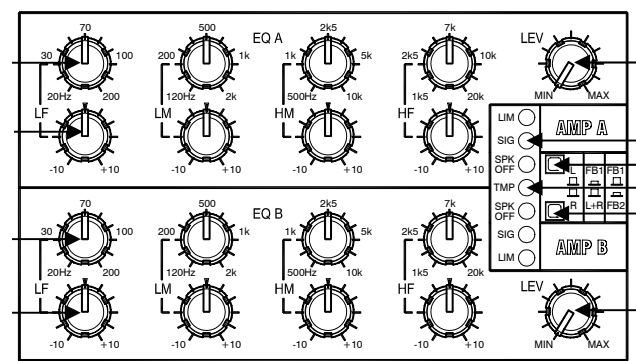


- BLUE-BLACK FADER KNOB **AJ8081**  
100MM 10KDx2 FADER **AI8118**



- YELLOW-BLACK FADER KNOB **AJ8080**  
100MM 10KDx2 FADER **AI8118**

- 11MM 200KCx2 POT **AI8005**
- 11MM 20KB C/D POT **AI8004**
- 11MM 200KCx2 POT **AI8005**
- 11MM 20KB C/D POT **AI8004**



- BLACK-WHITE FADER KNOB **AJ3503**  
100MM 10KD FADER **AI8117**

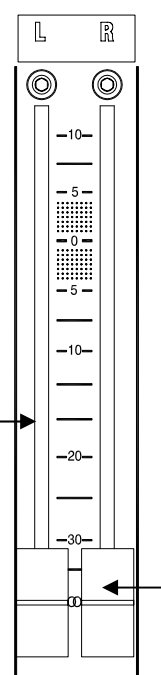
- 11MM 20KK POT **AI8003**
- GREEN LED **AE0085**
- LATCHING SWITCH **AL0162**
- YELLOW LED **AE0084**
- LATCHING SWITCH **AL0162**

- BLUE LED **AE4041**
- LATCHING SWITCH **AL0162**
- 11MM 20KK POT **AI8003**
- LATCHING SWITCH **AL8065**
- LATCHING SWITCH **AL8065**
- 14MM 20KKx2 POT **AI8007**
- GREEN TOMBSTONE LED **AE4864**
- LATCHING SWITCH **AL0162**

- LATCHING SWITCH **AL0162**
- LATCHING SWITCH **AL0162**

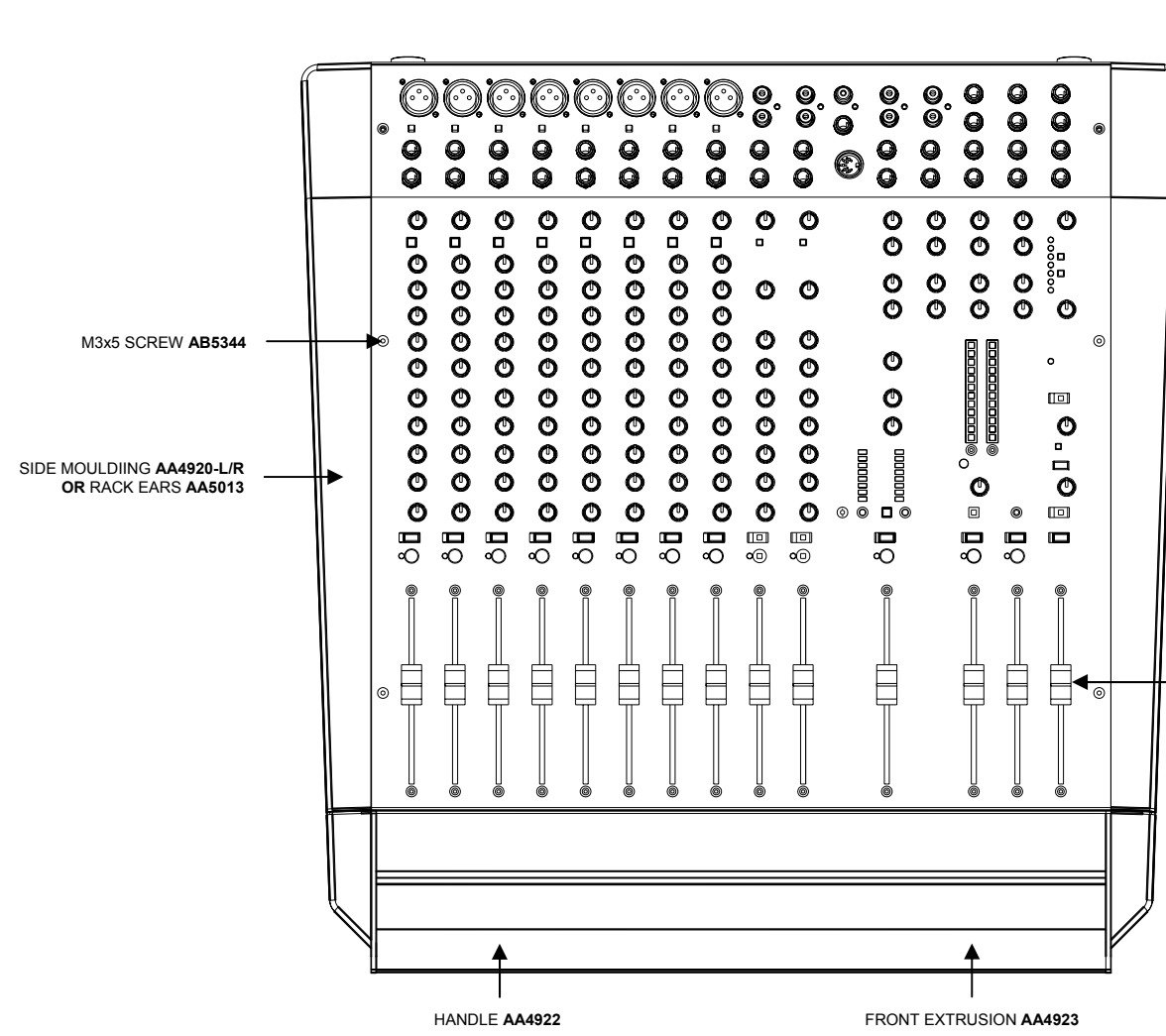
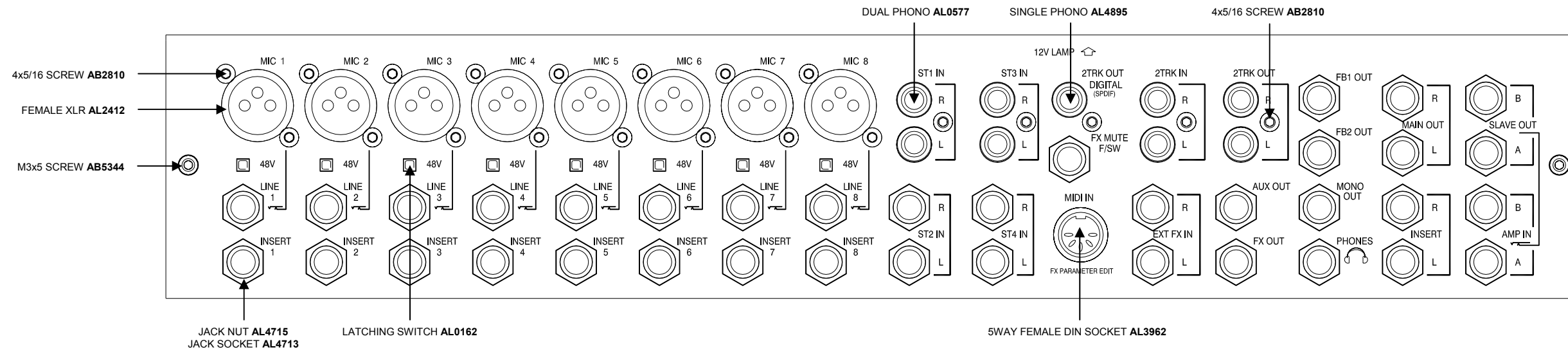
PA series products up to serial number **019388** have x1 stereo MASTER LR FADER  
PA series products from serial number **019388** have x2 mono MASTER L & R FADERS

- RED-BLACK FADER KNOB **AJ8079**  
100MM 10KDx2 FADER **AI8118**



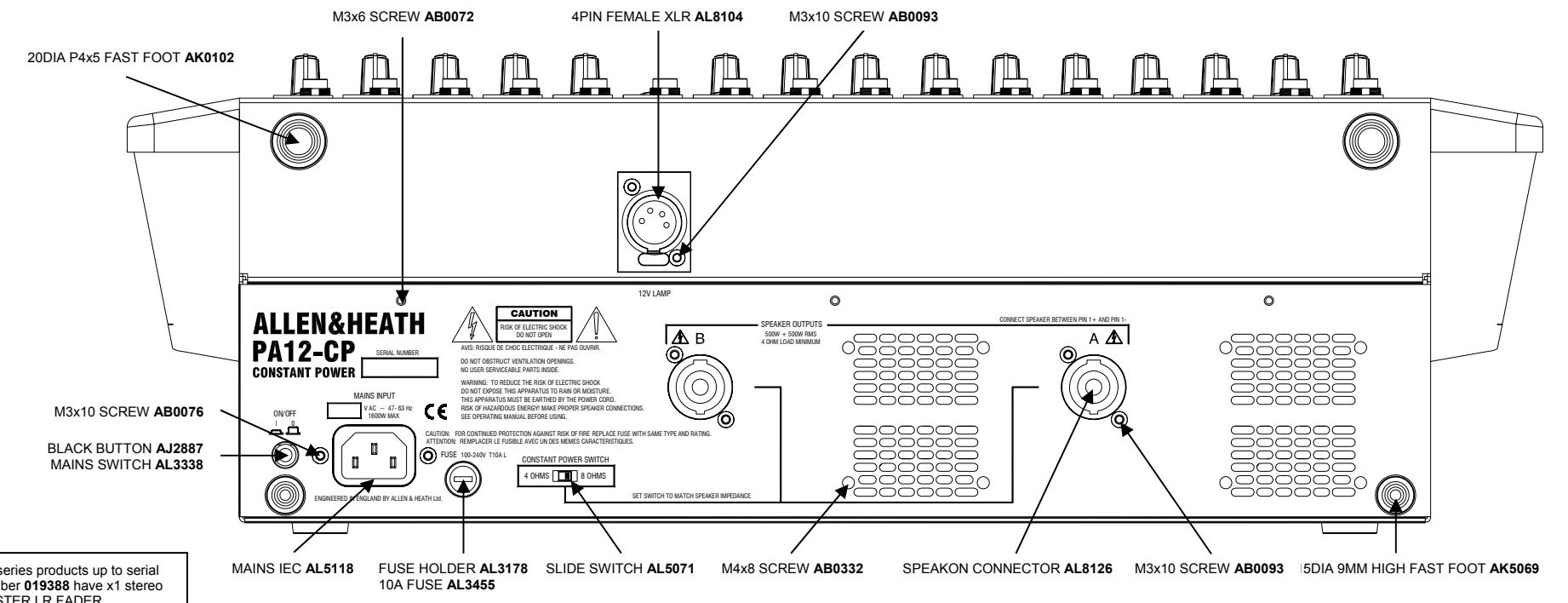
- RED-BLACK FADER KNOB **AJ8079**  
100MM 10KD FADER **AI8117**

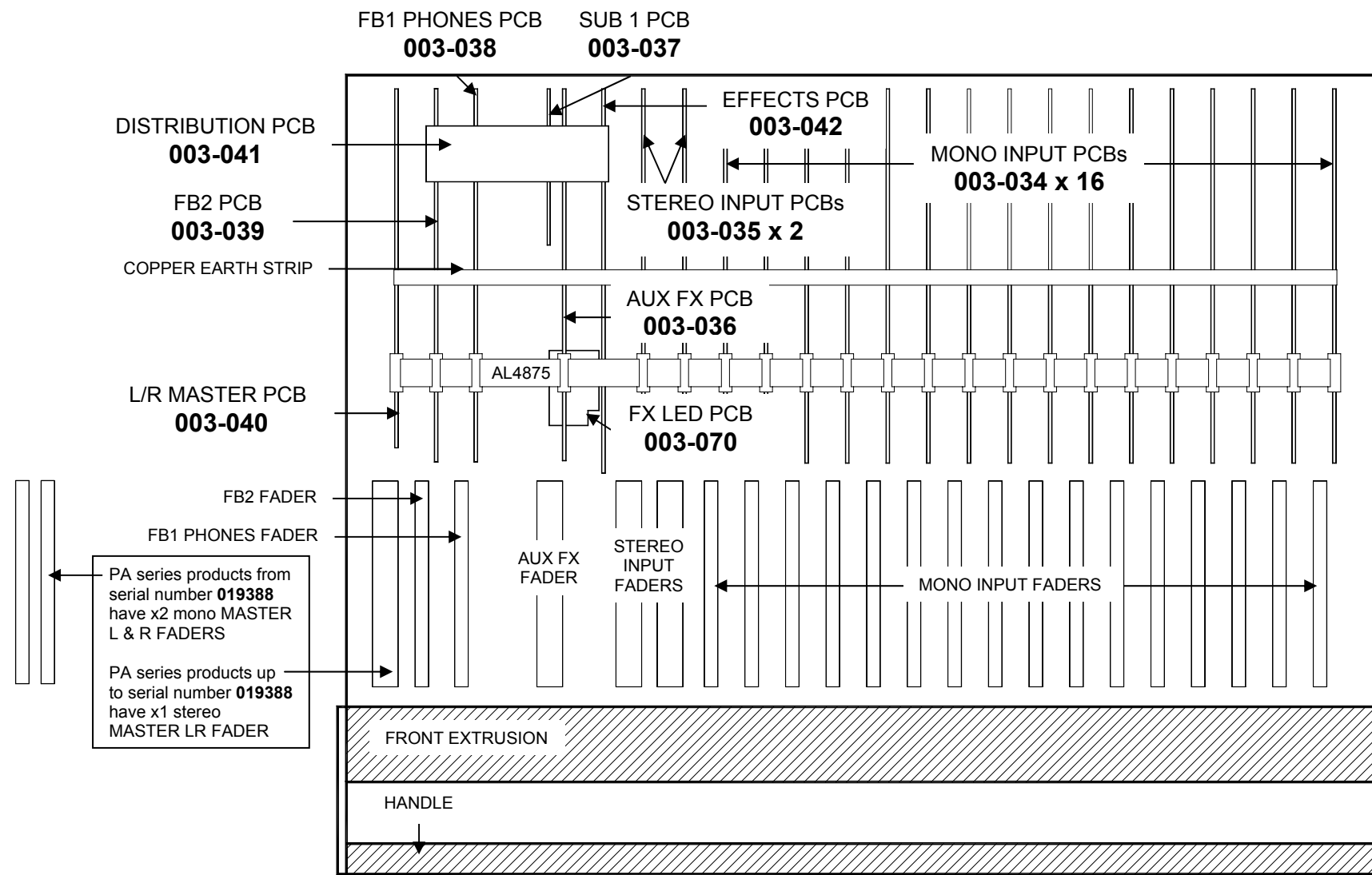
# PA Series Surface Parts



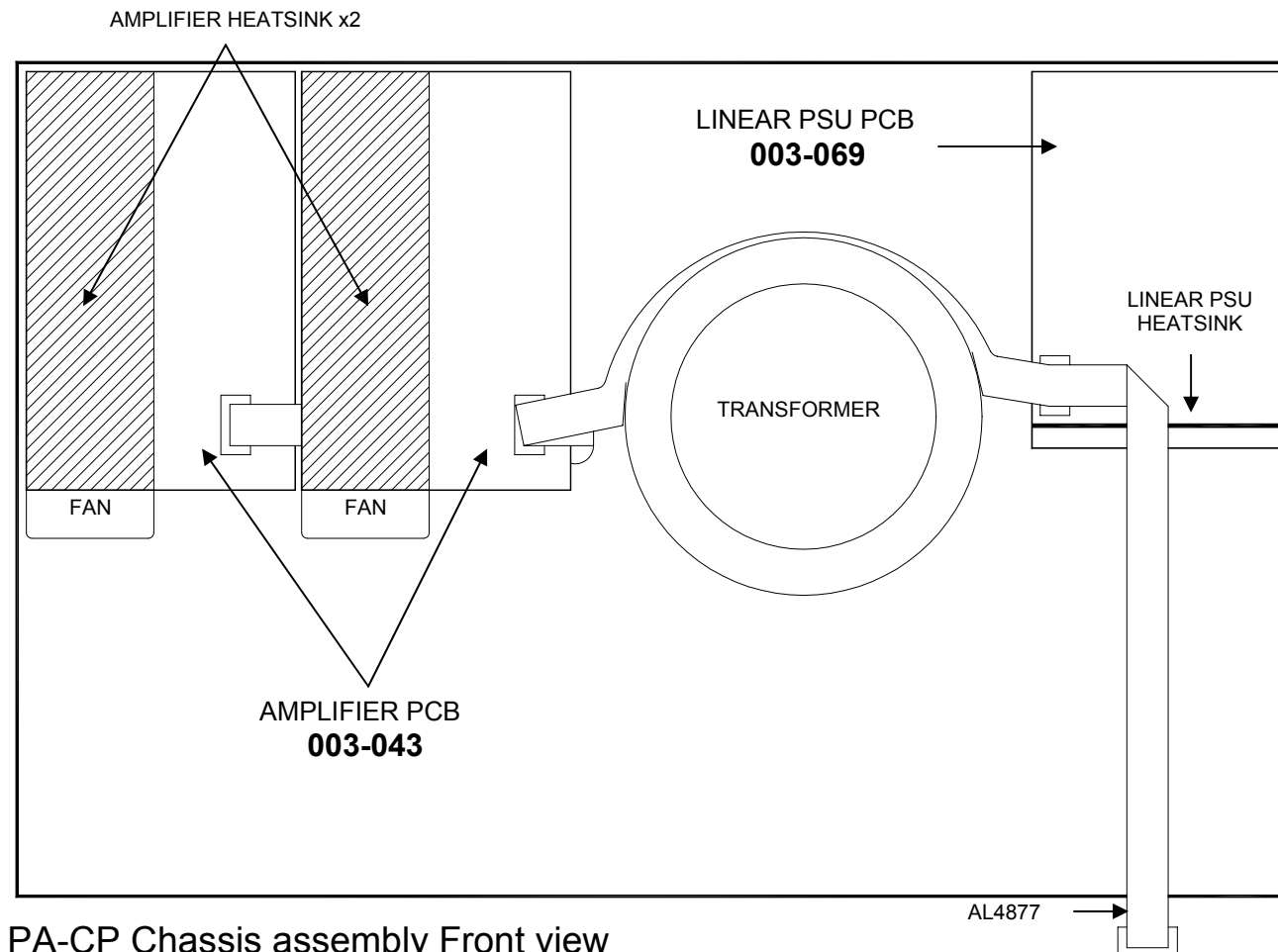
PA series products up to serial number **019388** have x1 stereo MASTER LR FADER

PA series products from serial number **019388** have x2 mono MASTER L & R FADERS





PA-CP Front Panel assembly Front view (20ch. shown)



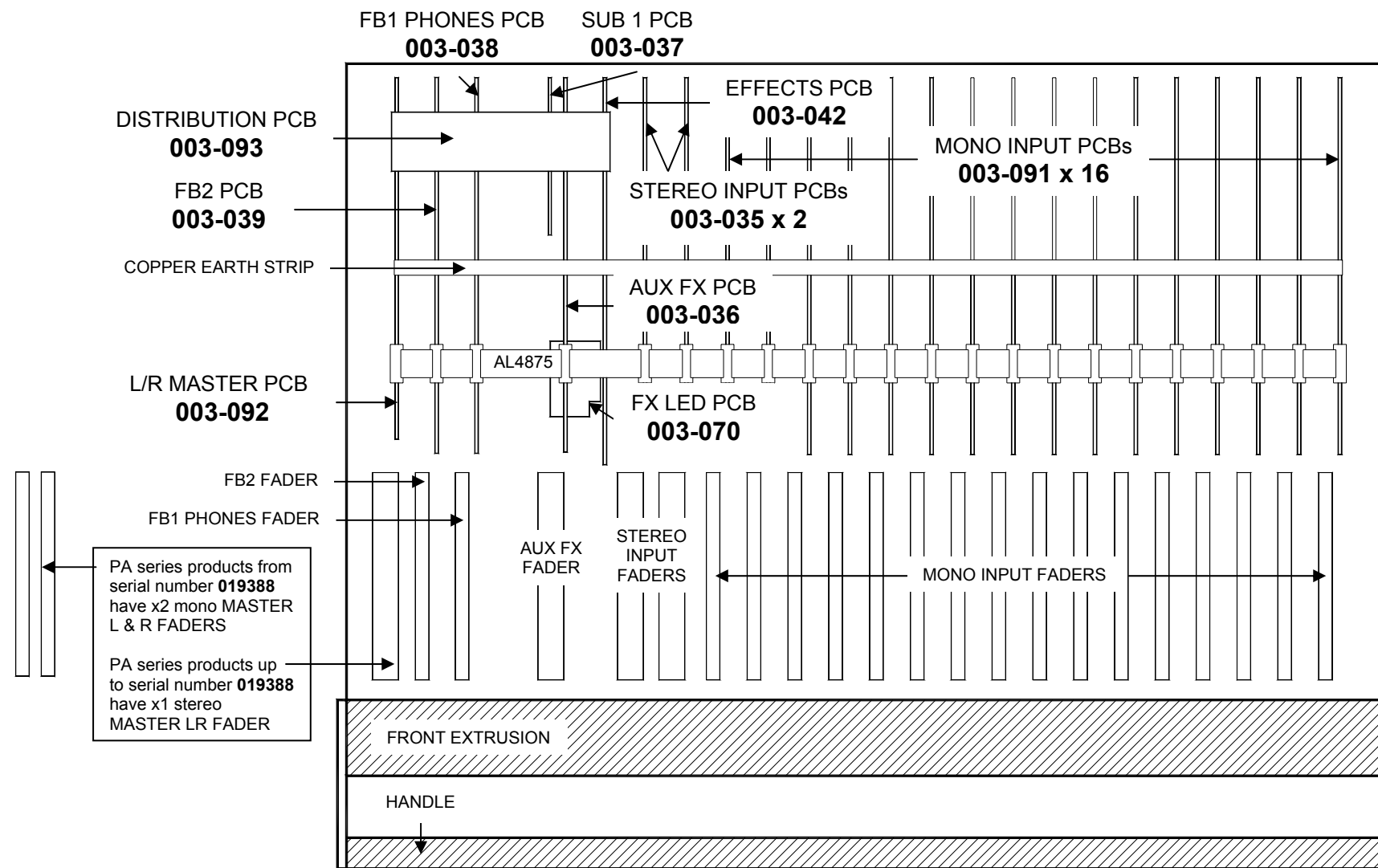
PA-CP Chassis assembly Front view

**PA-CP Powered version**

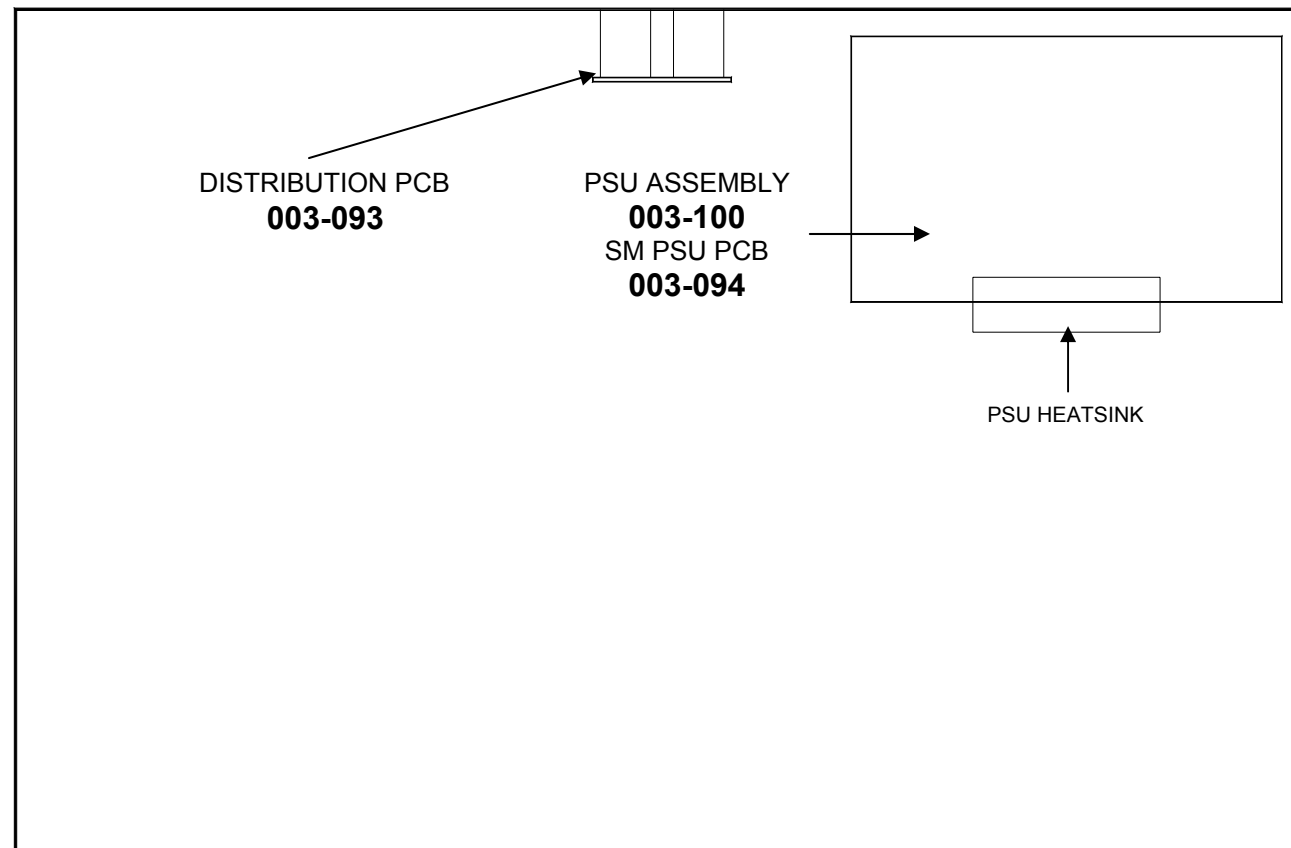
Product.....	PA12-CP/100
.....	PA12-CP/120
.....	PA12-CP/220
.....	PA12-CP/240
.....	PA20-CP/100
.....	PA20-CP/120
.....	PA20-CP/220
.....	PA20-CP/240
PA12-CP Pack Assembly.....	003-030
PA12-CP Main Assembly.....	003-031
PA12-CP Top Panel Assy.....	003-032
PA12-CP Base Panel Assy.....	003-033
PA12-CP Rack Ear Assy.....	003-071
PA20-CP Pack Assy.....	003-083
PA20-CP Main Assy.....	003-084
PA20-CP Top Panel Assy.....	003-085
PA20-CP Base Panel Assy.....	003-086

Mono Input PCB.....	003-034
Stereo Input PCB.....	003-035
Aux FX PCB.....	003-036
Sub 1 PCB.....	003-037
FB1 Phones PCB.....	003-038
FB2 PCB.....	003-039
Master L/R PCB.....	003-040
Distribution PCB.....	003-041
Effects PCB.....	003-042
Amplifier PCB.....	003-043
Linear PSU PCB.....	003-069
FX LED PCB.....	003-070





PA Front Panel assembly Front view (20ch. shown)



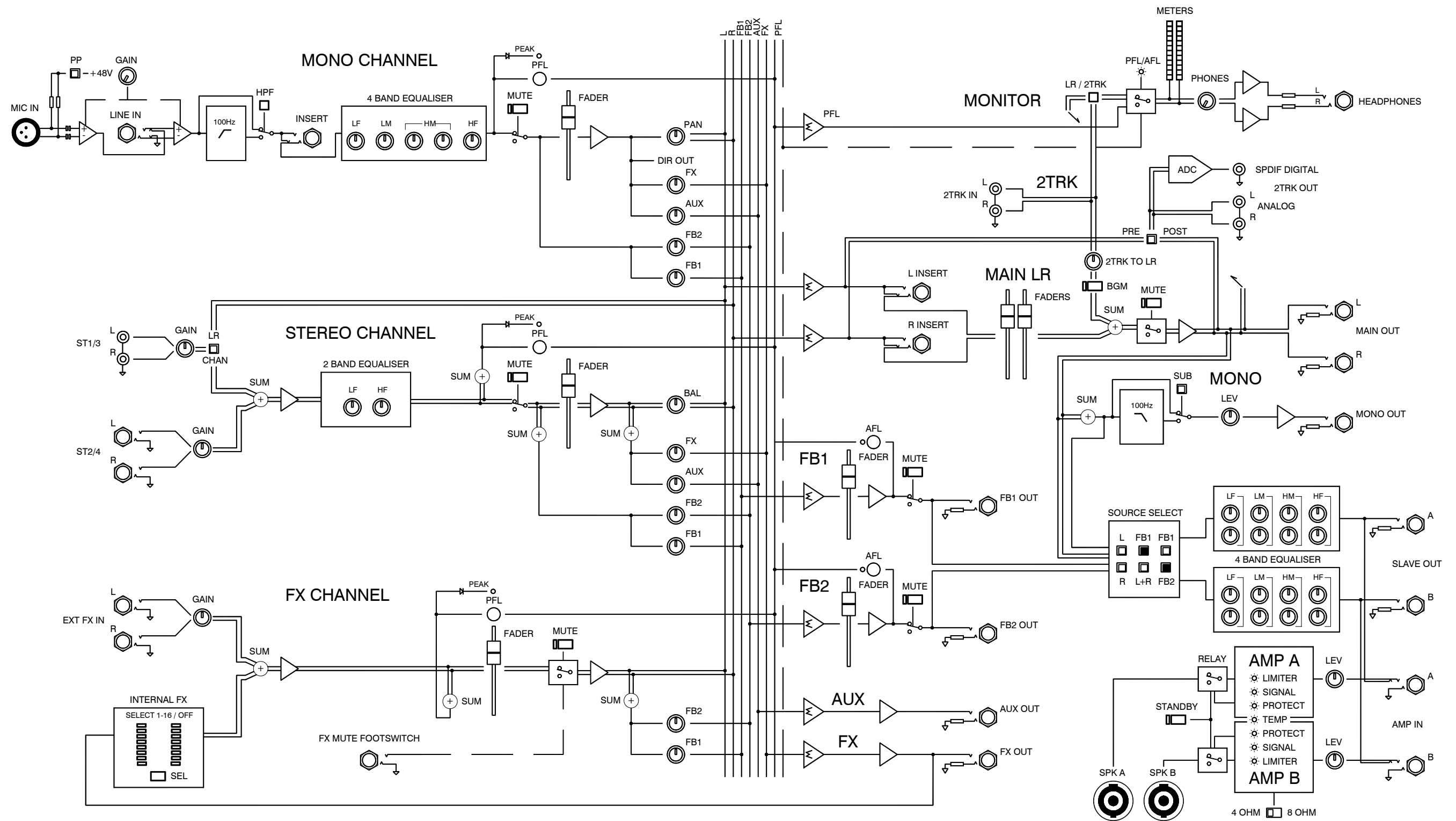
PA Chassis assembly Front view

**PA unpowered version**

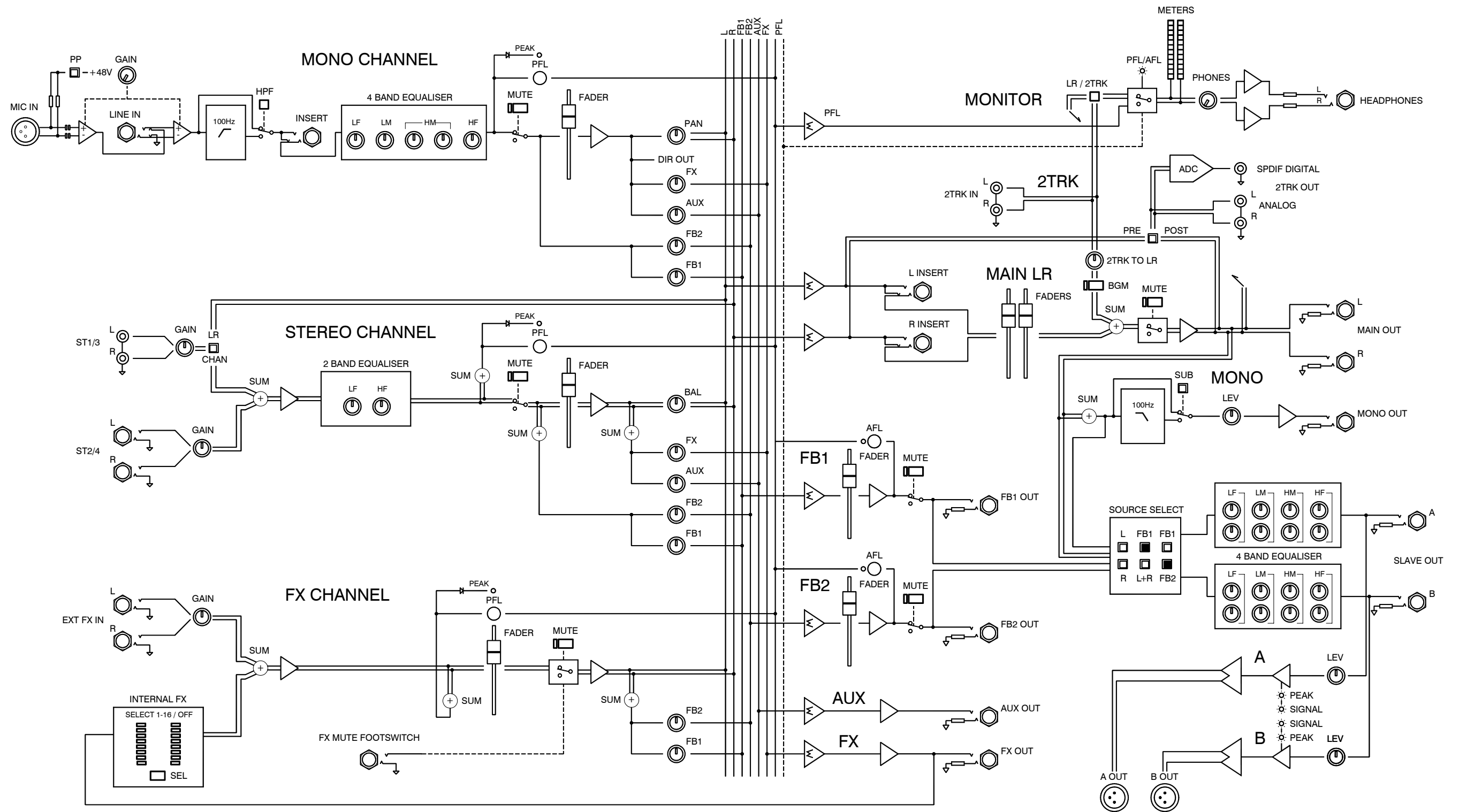
Product .....	PA12/100
.....	PA12/120
.....	PA12/220
.....	PA12/240
.....	PA20/100
.....	PA20/120
.....	PA20/220
.....	PA20/240
.....	PA28/100
.....	PA28/120
.....	PA28/220
.....	PA28/240
PA12-CP Rack Ear Assy. ....	003-071
PA12 Top Panel Assy. ....	003-095
PA12 Base Panel Assy. ....	003-096
PA12 Pack Assembly .....	003-097
PA12 Main Assembly .....	003-098
PA PSU Assy. ....	003-100
PA20 Pack Assembly .....	003-101
PA20 Main Assy. ....	003-102
PA20 Base Panel Assy. ....	003-103
PA20 Top Panel Assy. ....	003-104
PA28 Pack Assembly .....	003-105
PA28 Main Assembly .....	003-106
PA28 Base Panel Assy. ....	003-107
PA28 Top Panel Assy. ....	003-108

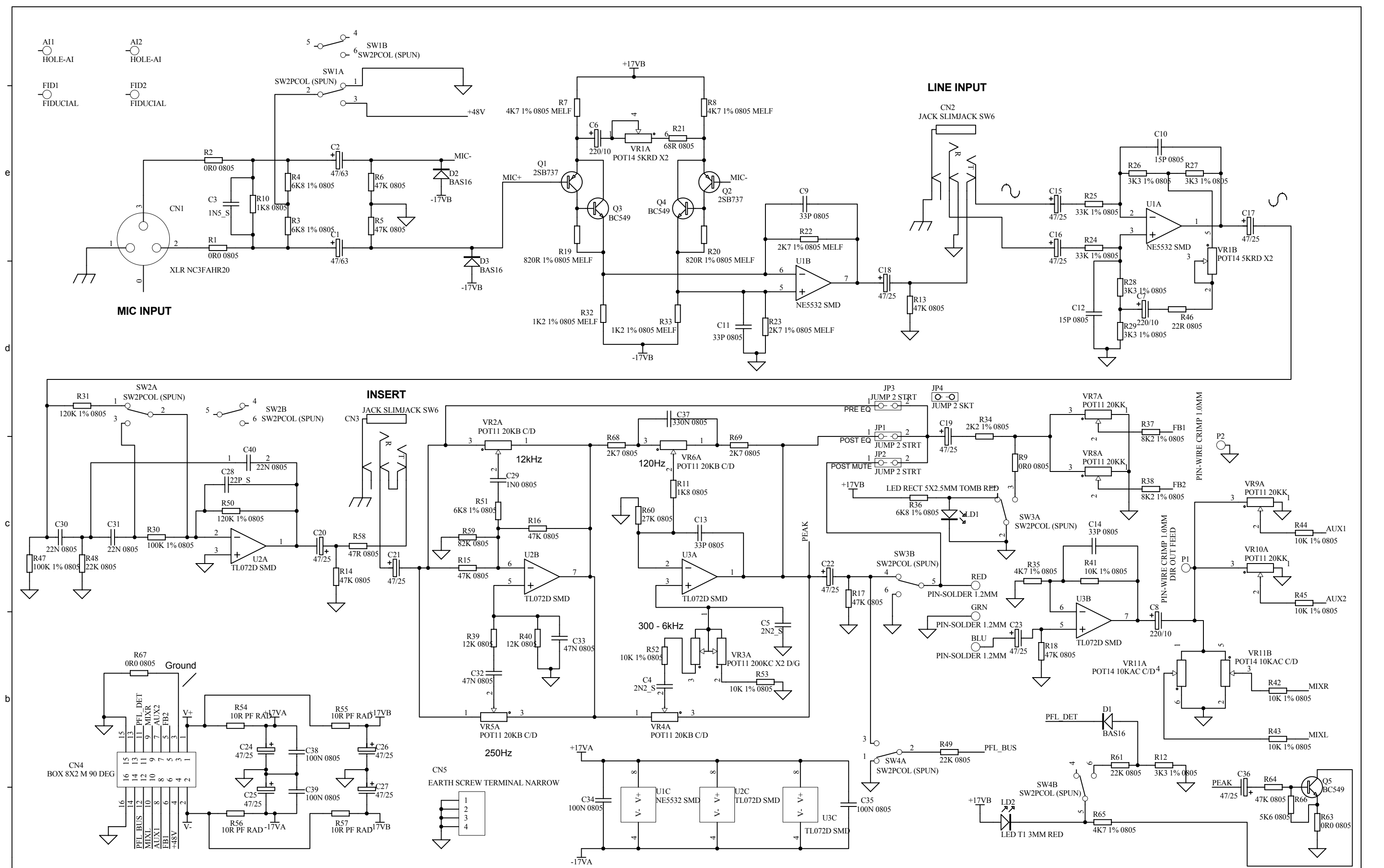
Stereo Input PCB .....	003-035
Aux FX PCB .....	003-036
Sub 1 PCB.....	003-037
FB1 Phones PCB .....	003-038
FB2 PCB .....	003-039
Effects PCB .....	003-042
FX LED PCB .....	003-070
Mono Input PCB .....	003-091
Master L/R PCB .....	003-092
Distribution PCB .....	003-093
SM PSU PCB .....	003-094

### PA-CP SERIES BLOCK DIAGRAM



### PA SERIES BLOCK DIAGRAM





**ALLEN&HEATH**  
 Kernick Industrial Estate,  
 Penryn, Cornwall,  
 England. TR10 9LU  
 Tel: +44 (0)8707 556250  
 Fax: +44 (0)8707 556251

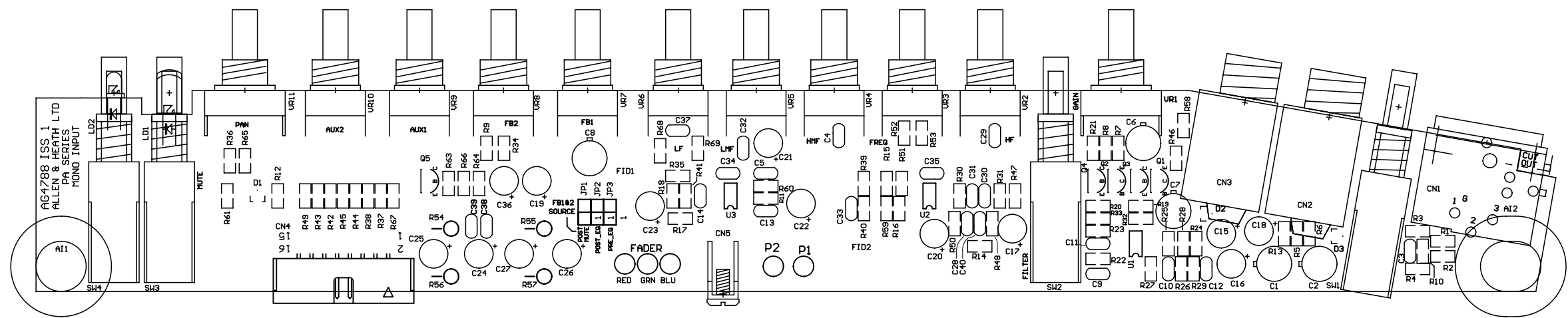
ISSUE	BY	DATE
A	MG	25-02-02
B	MG	03-05-02
C	MG	25-06-02
1	MG	22-7-02

VR1C POT14 5KR D X2	VR2B POT11 20KB C/D	VR3B 200KC X2 D/G	VR4B POT11 20KB C/D	VR5B POT11 20KB C/D	VR6B POT11 20KB C/D	VR7B POT11 20K	VR8B POT11 20KK	VR9B POT11 20KK	VR10B POT11 20KK	VR11C POT14 10KAC C/D
------------------------	------------------------	----------------------	------------------------	------------------------	------------------------	-------------------	--------------------	--------------------	---------------------	--------------------------

FILE: C4788\_1P1.Sch      PRINTED: 15:59:16    26-Mar-2003

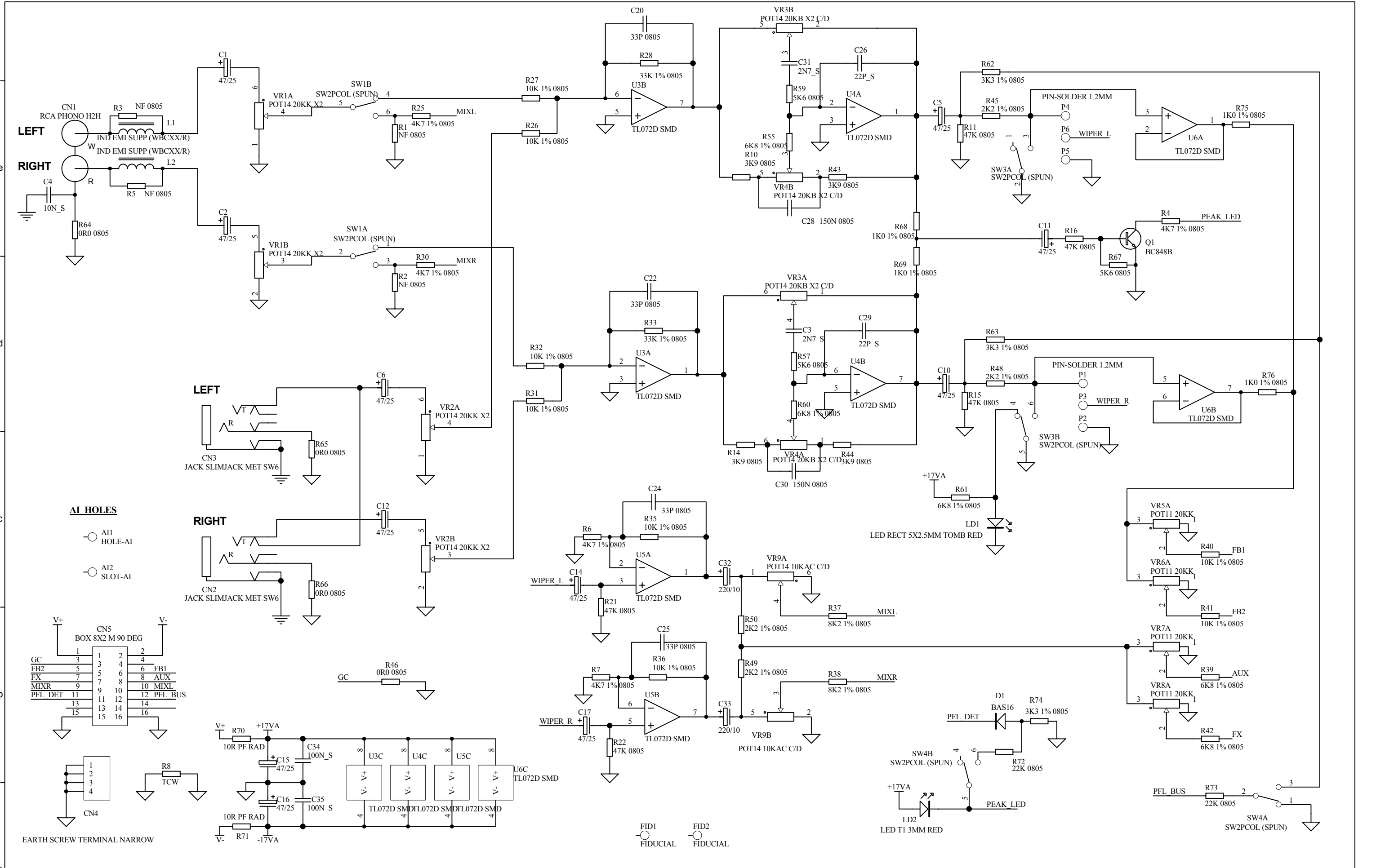
TITLE: **PA SERIES MONO INPUT**  
 PAGE:  
 DRG No: **C4788**    ISSUE: 1    SHEET: 1 OF 1



TOP OVERLAY

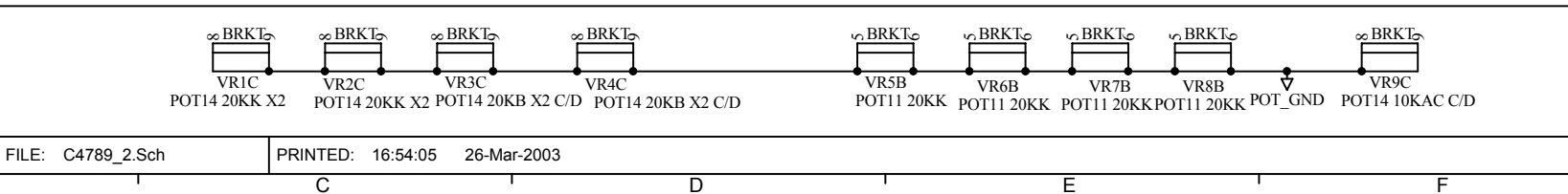
.GTO

Designator	Description	Designator	Description
C1	CAPACITOR ELECTROLYTIC 47uF 63V (AF0217)	R30	RESISTOR METAL FILM SMD0805 100K 1% (AC2843)
C2	CAPACITOR ELECTROLYTIC 47uF 63V (AF0217)	R31	RESISTOR SMD 120K 1% 0805 (AC5109)
C3	CAPACITOR CERAMIC SMD0805 1N5 (AF2991)	R32	RESISTOR SMD MELF 1K2 1% 0805 METAL (AC5039)
C4	CAPACITOR CERAMIC SMD0805 2N2 (AF3548)	R33	RESISTOR SMD MELF 1K2 1% 0805 METAL (AC5039)
C5	CAPACITOR CERAMIC SMD0805 2N2 (AF3548)	R34	RESISTOR METAL FILM SMD0805 2K2 1% (AC0370)
C6	CAPACITOR ELECTROLYTIC 220uF 10V (AF0225)	R35	RESISTOR METAL FILM SMD0805 4K7 1% (AC3062)
C7	CAPACITOR ELECTROLYTIC 220uF 10V (AF0225)	R36	RESISTOR METAL FILM SMD0805 6K8 1% (AC3064)
C8	CAPACITOR ELECTROLYTIC 220uF 10V (AF0225)	R37	RESISTOR METAL FILM SMD0805 8K2 1% (AC5017)
C9	CAPACITOR SMD0805 33P XXV (AF4887)	R38	RESISTOR METAL FILM SMD0805 8K2 1% (AC5017)
C10	CAPACITOR CERAMIC SMD0805 15P 50V (AF5034)	R39	RESISTOR CARBON SMD0805 12K 5% (AC4107)
C11	CAPACITOR SMD0805 33P XXV (AF4887)	R40	RESISTOR CARBON SMD0805 12K 5% (AC4107)
C12	CAPACITOR CERAMIC SMD0805 15P 50V (AF5034)	R41	RESISTOR METAL FILM SMD0805 10K 1% (AC2841)
C13	CAPACITOR SMD0805 33P XXV (AF4887)	R42	RESISTOR METAL FILM SMD0805 10K 1% (AC2841)
C14	CAPACITOR SMD0805 33P XXV (AF4887)	R43	RESISTOR METAL FILM SMD0805 10K 1% (AC2841)
C15	CAPACITOR ELECTROLYTIC 47uF 25V (AF0208)	R44	RESISTOR METAL FILM SMD0805 10K 1% (AC2841)
C16	CAPACITOR ELECTROLYTIC 47uF 25V (AF0208)	R45	RESISTOR METAL FILM SMD0805 10K 1% (AC2841)
C17	CAPACITOR ELECTROLYTIC 47uF 25V (AF0208)	R46	RESISTOR SMD 22R 5% 0805 (AC4100)
C18	CAPACITOR ELECTROLYTIC 47uF 25V (AF0208)	R47	RESISTOR METAL FILM SMD0805 100K 1% (AC2843)
C19	CAPACITOR ELECTROLYTIC 47uF 25V (AF0208)	R48	RESISTOR CARBON SMD0805 22K 5% (AC3540)
C20	CAPACITOR ELECTROLYTIC 47uF 25V (AF0208)	R49	RESISTOR CARBON SMD0805 22K 5% (AC3540)
C21	CAPACITOR ELECTROLYTIC 47uF 25V (AF0208)	R50	RESISTOR SMD 120K 1% 0805 (AC5109)
C22	CAPACITOR ELECTROLYTIC 47uF 25V (AF0208)	R51	RESISTOR METAL FILM SMD0805 6K8 1% (AC3064)
C23	CAPACITOR ELECTROLYTIC 47uF 25V (AF0208)	R52	RESISTOR METAL FILM SMD0805 10K 1% (AC2841)
C24	CAPACITOR ELECTROLYTIC 47uF 25V (AF0208)	R53	RESISTOR METAL FILM SMD0805 10K 1% (AC2841)
C25	CAPACITOR ELECTROLYTIC 47uF 25V (AF0208)	R54	RESISTOR CARBON 10R PRE FORMED 1/4W 5% (AC0378)
C26	CAPACITOR ELECTROLYTIC 47uF 25V (AF0208)	R55	RESISTOR CARBON 10R PRE FORMED 1/4W 5% (AC0378)
C27	CAPACITOR ELECTROLYTIC 47uF 25V (AF0208)	R56	RESISTOR CARBON 10R PRE FORMED 1/4W 5% (AC0378)
C28	CAPACITOR SMD 22P CERAMIC 0805 (AF2992)	R57	RESISTOR CARBON 10R PRE FORMED 1/4W 5% (AC0378)
C29	CAPACITOR CERAMIC SMD0805 1N0 (AF5040)	R58	RESISTOR CARBON SMD0805 47R 5% (AC3036)
C30	CAPACITOR CERAMIC SMD0805 22N (AF5035)	R59	RESISTOR CARBON SMD0805 82K 5% (AC4894)
C31	CAPACITOR CERAMIC SMD0805 22N (AF5035)	R60	RESISTOR CARBON SMD0805 27K 5% (AC4693)
C32	CAPACITOR SMD0805 47N XXV CERAMIC (AF4889)	R61	RESISTOR CARBON SMD0805 22K 5% (AC3540)
C33	CAPACITOR SMD0805 47N XXV CERAMIC (AF4889)	R63	RESISTOR CARBON SMD0805 0R0 5% (AC2838)
C34	CAPACITOR CERAMIC SMD0805 100N (AF2851)	R64	RESISTOR CARBON SMD0805 47K 5% (AC3035)
C35	CAPACITOR CERAMIC SMD0805 100N (AF2851)	R65	RESISTOR METAL FILM SMD0805 4K7 1% (AC3062)
C36	CAPACITOR ELECTROLYTIC 47uF 25V (AF0208)	R66	RESISTOR CARBON SMD0805 5K6 5% (AC4106)
C37	CAPACITOR CERAMIC SMD0805 330N (AF5070)	R67	RESISTOR METAL FILM SMD0805 10K 1% (AC2841)
C38	CAPACITOR CERAMIC SMD0805 100N (AF2851)	R68	RESISTOR CARBON SMD0805 2K7 5% (AC4698)
C39	CAPACITOR CERAMIC SMD0805 100N (AF2851)	R69	RESISTOR CARBON SMD0805 2K7 5% (AC4698)
C40	CAPACITOR CERAMIC SMD0805 22N (AF5035)	SW1	SWITCH DPDT ALPS (SPUN) LATCHING (AL0162)
CN1	XLR 3 PIN FEMALE WITH GROUND (AL2412)	SW2	SWITCH DPDT ALPS (SPUN) LATCHING (AL0162)
CN2	JACK SOCKET HORIZONTAL 6 PIN MET HEADPHONE (AL4713)	SW3	SWITCH DPDT ALPS (SPUN) LATCHING (AL0162)
CN3	JACK SOCKET HORIZONTAL 6 PIN MET HEADPHONE (AL4713)	SW4	SWITCH DPDT ALPS (SPUN) LATCHING (AL0162)
CN4	Connector IDC,Molex Type 0.1 Pitch 8x2 pins (AL4335)*	U1	IC SMD NE5532 OP AMP (AE4699)
CN5	EARTH SCREW TERMINAL NARROW HORIZONTAL TYPE (AA9000)	U2	IC SMD DUAL OP-AMP TL072 (AE3335)
D1	DIODE SIGNAL SMD BAS16 (AE3352)	U3	IC SMD DUAL OP-AMP TL072 (AE3335)
D2	DIODE SIGNAL SMD BAS16 (AE3352)	VR1	POT ALPS 14mm 5KRD x2 502RD (AI8174)
D3	DIODE SIGNAL SMD BAS16 (AE3352)	VR2	POT ALPS 11mm 20KB C/D 203B (AI8004)
JP1	JUMP 2 OPTION LINK (AL8068)	VR3	POT ALPS 11mm 200KC X2 DUAL GANG 204C (AI8005)
JP2	JUMP 2 OPTION LINK (AL8068)	VR4	POT ALPS 11mm 20KB C/D 203B (AI8004)
JP2	JUMPER SKT TWO WAY (AL0334)	VR5	POT ALPS 11mm 20KB C/D 203B (AI8004)
JP3	JUMP 2 OPTION LINK (AL8068)	VR6	POT ALPS 11mm 20KB C/D 203B (AI8004)
LD1	LED RED 5X2.5 TOMBSTONE (AE4863)	VR7	POT ALPS 11mm 20KK 203K (AI8003)
LD2	LED T1 3mm RED (AE0086)	VR8	POT ALPS 11mm 20KK 203K (AI8003)
Q1	TRANSISTOR PNP 2SB737 (AE8069)	VR9	POT ALPS 11mm 20KK 203K (AI8003)
Q2	TRANSISTOR PNP 2SB737 (AE8069)	VR10	POT ALPS 11mm 20KK 203K (AI8003)
Q3	TRANSISTOR NPN BC549 (AE0020)	VR11	POT ALPS 14mm 10KAC x2 C/D 103AC (AI8008)
Q4	TRANSISTOR NPN BC549 (AE0020)		
Q5	TRANSISTOR NPN BC549 (AE0020)		
R1	RESISTOR SMD 22R 5% 0805 (AC4100)		
R2	RESISTOR SMD 22R 5% 0805 (AC4100)		
R3	RESISTOR METAL FILM SMD0805 6K8 1% (AC3064)		
R4	RESISTOR METAL FILM SMD0805 6K8 1% (AC3064)		
R5	RESISTOR CARBON SMD0805 47K 5% (AC3035)		
R6	RESISTOR CARBON SMD0805 47K 5% (AC3035)		
R7	RESISTOR SMD MELF 4K7 1% 0805 (AC5038)		
R8	RESISTOR SMD MELF 4K7 1% 0805 (AC5038)		
R9	RESISTOR CARBON SMD0805 0R0 5% (AC2838)		
R10	RESISTOR CARBON SMD0805 1K8 5% (AC3029)		
R11	RESISTOR CARBON SMD0805 1K8 5% (AC3029)		
R12	RESISTOR METAL FILM SMD0805 3K3 1% (AC3061)		
R13	RESISTOR CARBON SMD0805 47K 5% (AC3035)		
R14	RESISTOR CARBON SMD0805 47K 5% (AC3035)		
R15	RESISTOR CARBON SMD0805 47K 5% (AC3035)		
R16	RESISTOR CARBON SMD0805 47K 5% (AC3035)		
R17	RESISTOR CARBON SMD0805 47K 5% (AC3035)		
R18	RESISTOR CARBON SMD0805 47K 5% (AC3035)		
R19	RESISTOR SMD MELF 820R 1% 0805 METAL (AC5037)		
R20	RESISTOR SMD MELF 820R 1% 0805 METAL (AC5037)		
R21	RESISTOR CARBON SMD0805 68R 5% (AC4101)		
R22	RESISTOR SMD MELF 2K7 1% 0805 (AC5108)		
R23	RESISTOR SMD MELF 2K7 1% 0805 (AC5108)		
R24	RESISTOR METAL FILM SMD0805 33K 1% (AC3532)		
R25	RESISTOR METAL FILM SMD0805 33K 1% (AC3532)		
R26	RESISTOR METAL FILM SMD0805 3K3 1% (AC3061)		
R27	RESISTOR METAL FILM SMD0805 3K3 1% (AC3061)		
R28	RESISTOR METAL FILM SMD0805 3K3 1% (AC3061)		
R29	RESISTOR METAL FILM SMD0805 3K3 1% (AC3061)		

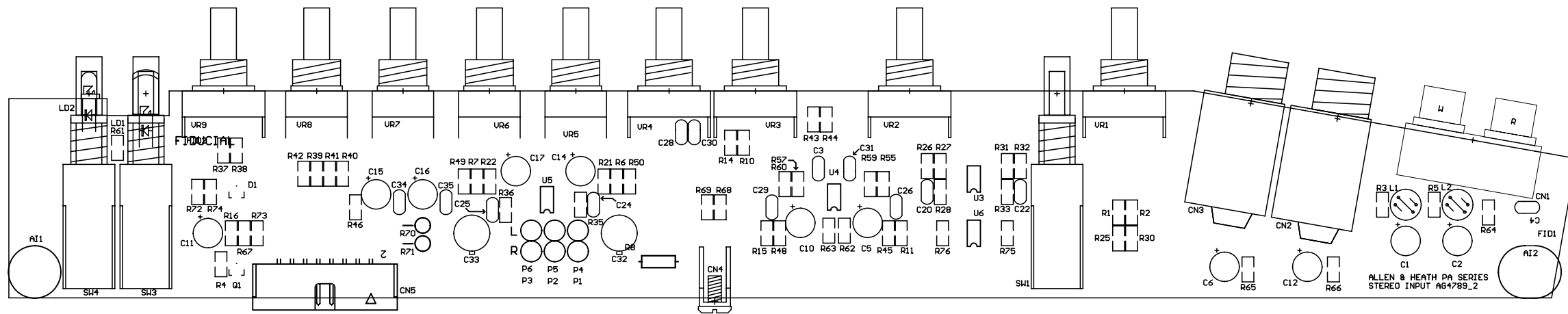


**ALLEN & HEATH**  
 Kernick Industrial Estate,  
 Penryn, Cornwall,  
 England. TR10 9LU  
 Tel: +44 (0)8707 556250  
 Fax: +44 (0)8707 556251

ISSUE	BY	DATE
1	MG	23-07-02
2	AAT	25-09-02



TITLE: PA SERIES STEREO INPUT CCT  
 PAGE:  
 DRG No: AG4789 ISSUE: 2 SHEET: 1 OF 1

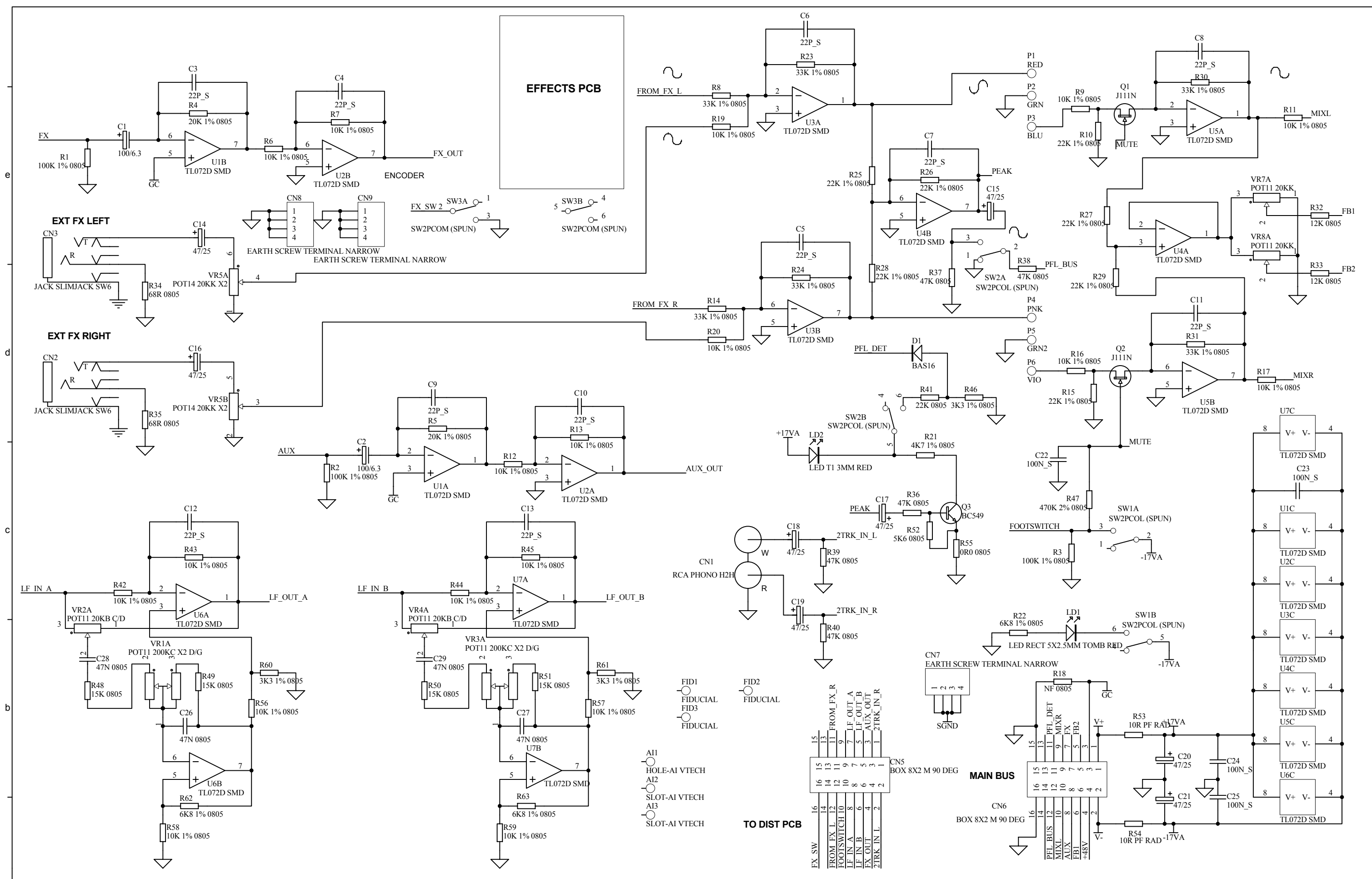


TOP OVERLAY

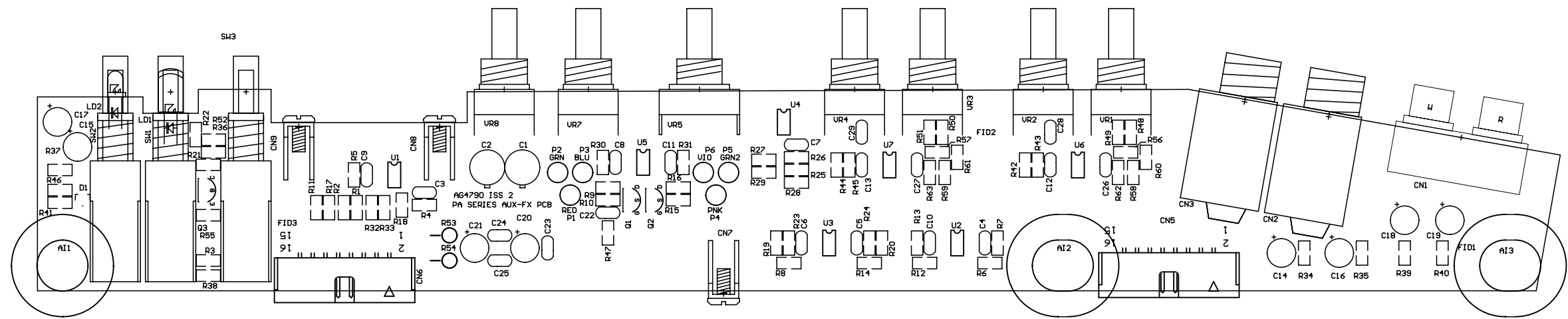
.GTO



Designator	Description	Designator	Description
C1	CAPACITOR ELECTROLYTIC 47uF 25V (AF0208)	R74	RESISTOR METAL FILM SMD0805 3K3 1% (AC3061)
C2	CAPACITOR ELECTROLYTIC 47uF 25V (AF0208)	R75	RESISTOR METAL FILM SMD0805 1K0 1% (AC0369)
C3	CAPACITOR CERAMIC SMD0805 2N7 (AF2993)	R76	RESISTOR METAL FILM SMD0805 1K0 1% (AC0369)
C4	CAPACITOR SMD 10N CERAMIC 0805 (AF2849)	SW1	SWITCH DPDT ALPS (SPUN) LATCHING (AL0162)
C5	CAPACITOR ELECTROLYTIC 47uF 25V (AF0208)	SW3	SWITCH DPDT ALPS (SPUN) LATCHING (AL0162)
C6	CAPACITOR ELECTROLYTIC 47uF 25V (AF0208)	SW4	SWITCH DPDT ALPS (SPUN) LATCHING (AL0162)
C10	CAPACITOR ELECTROLYTIC 47uF 25V (AF0208)	U3	IC SMD DUAL OP-AMP TL072 (AE3335)
C11	CAPACITOR ELECTROLYTIC 47uF 25V (AF0208)	U4	IC SMD DUAL OP-AMP TL072 (AE3335)
C12	CAPACITOR ELECTROLYTIC 47uF 25V (AF0208)	U5	IC SMD DUAL OP-AMP TL072 (AE3335)
C14	CAPACITOR ELECTROLYTIC 47uF 25V (AF0208)	U6	IC SMD DUAL OP-AMP TL072 (AE3335)
C15	CAPACITOR ELECTROLYTIC 47uF 25V (AF0208)	VR1	POT ALPS 14mm 20KK x2 203K (AI8007)
C16	CAPACITOR ELECTROLYTIC 47uF 25V (AF0208)	VR2	POT ALPS 14mm 20KK x2 203K (AI8007)
C17	CAPACITOR ELECTROLYTIC 47uF 25V (AF0208)	VR3	POT ALPS 14mm 20KB x2 C/D 203B (AI8006)
C20	CAP SM 33pF (AF4887)	VR4	POT ALPS 14mm 20KB x2 C/D 203B (AI8006)
C22	CAP SM 33pF (AF4887)	VR5	POT ALPS 11mm 20KK 203K (AI8003)
C24	CAP SM 33pF (AF4887)	VR6	POT ALPS 11mm 20KK 203K (AI8003)
C25	CAP SM 33pF (AF4887)	VR7	POT ALPS 11mm 20KK 203K (AI8003)
C26	CAPACITOR CERAMIC SMD0805 22P (AF2992)	VR8	POT ALPS 11mm 20KK 203K (AI8003)
C28	CAPACITOR CERAMIC SMD 150nF 25V (AF4888)	VR9	POT ALPS 14mm 10KAC x2 C/D 103AC (AI8008)
C29	CAPACITOR CERAMIC SMD0805 22P (AF2992)		
C30	CAPACITOR CERAMIC SMD 150nF 25V (AF4888)		
C31	CAPACITOR CERAMIC SMD0805 2N7 (AF2993)		
C32	CAPACITOR ELECTROLYTIC 220uF 10V (AF0225)		
C33	CAPACITOR ELECTROLYTIC 220uF 10V (AF0225)		
C34	CAPACITOR CERAMIC SMD0805 100N (AF2851)		
C35	CAPACITOR CERAMIC SMD0805 100N (AF2851)		
CN1	RCA PHONO DUAL HORIZONTAL R/W (AL0577)		
CN2	JACK SOCKET HORIZONTAL 6 PIN MET HEADPHONE (AL4713)		
CN3	JACK SOCKET HORIZONTAL 6 PIN MET HEADPHONE (AL4713)		
CN4	EARTH SCREW TERMINAL NARROW HORIZONTAL TYPE (AA9000)		
CN5	Connector IDC,Molex Type 0.1 Pitch 8x2 pins (AL4335)		
D1	DIODE SIGNAL SMD BAS16 (AE3352)		
LD1	LED RECT 5x2.5MM TOMBSTONE RED (AE4863)		
LD2	LED T1 3mm RED (AE0086)		
Q1	TRANSISTOR NPN BC848B (AE3332)		
R3	RESISTOR CARBON SMD0805 0R0 5% (AC2838)		
R4	RESISTOR METAL FILM SMD0805 4K7 1% (AC3062)		
R5	RESISTOR CARBON SMD0805 0R0 5% (AC2838)		
R6	RESISTOR METAL FILM SMD0805 4K7 1% (AC3062)		
R7	RESISTOR METAL FILM SMD0805 4K7 1% (AC3062)		
R8	TC LINK 22SWG (AH0070)		
R10	RESISTOR CARBON SMD0805 3K9 5% (AC4105)		
R11	RESISTOR CARBON SMD0805 47K 5% (AC3035)		
R14	RESISTOR CARBON SMD0805 3K9 5% (AC4105)		
R15	RESISTOR CARBON SMD0805 47K 5% (AC3035)		
R16	RESISTOR CARBON SMD0805 47K 5% (AC3035)		
R21	RESISTOR CARBON SMD0805 47K 5% (AC3035)		
R22	RESISTOR CARBON SMD0805 47K 5% (AC3035)		
R25	RESISTOR METAL FILM SMD0805 4K7 1% (AC3062)		
R26	RESISTOR METAL FILM SMD0805 10K 1% (AC2841)		
R27	RESISTOR METAL FILM SMD0805 10K 1% (AC2841)		
R28	RESISTOR METAL FILM SMD0805 33K 1% (AC3532)		
R30	RESISTOR METAL FILM SMD0805 4K7 1% (AC3062)		
R31	RESISTOR METAL FILM SMD0805 10K 1% (AC2841)		
R32	RESISTOR METAL FILM SMD0805 10K 1% (AC2841)		
R33	RESISTOR METAL FILM SMD0805 33K 1% (AC3532)		
R35	RESISTOR METAL FILM SMD0805 10K 1% (AC2841)		
R36	RESISTOR METAL FILM SMD0805 10K 1% (AC2841)		
R37	RESISTOR METAL FILM SMD0805 8K2 1% (AC5017)		
R38	RESISTOR METAL FILM SMD0805 8K2 1% (AC5017)		
R39	RESISTOR METAL FILM SMD0805 6K8 1% (AC3064)		
R40	RESISTOR METAL FILM SMD0805 10K 1% (AC2841)		
R41	RESISTOR METAL FILM SMD0805 10K 1% (AC2841)		
R42	RESISTOR METAL FILM SMD0805 6K8 1% (AC3064)		
R43	RESISTOR CARBON SMD0805 3K9 5% (AC4105)		
R44	RESISTOR CARBON SMD0805 3K9 5% (AC4105)		
R45	RESISTOR METAL FILM SMD0805 2K2 1% (AC0370)		
R46	RESISTOR METAL FILM SMD0805 10K 1% (AC2841)		
R48	RESISTOR METAL FILM SMD0805 2K2 1% (AC0370)		
R49	RESISTOR METAL FILM SMD0805 2K2 1% (AC0370)		
R50	RESISTOR METAL FILM SMD0805 2K2 1% (AC0370)		
R55	RESISTOR METAL FILM SMD0805 6K8 1% (AC3064)		
R57	RESISTOR CARBON SMD0805 5K6 5% (AC4106)		
R59	RESISTOR CARBON SMD0805 5K6 5% (AC4106)		
R60	RESISTOR METAL FILM SMD0805 6K8 1% (AC3064)		
R61	RESISTOR METAL FILM SMD0805 6K8 1% (AC3064)		
R62	RESISTOR METAL FILM SMD0805 3K3 1% (AC3061)		
R63	RESISTOR METAL FILM SMD0805 3K3 1% (AC3061)		
R64	RESISTOR CARBON SMD0805 0R0 5% (AC2838)		
R65	RESISTOR CARBON SMD0805 0R0 5% (AC2838)		
R66	RESISTOR CARBON SMD0805 0R0 5% (AC2838)		
R67	RESISTOR CARBON SMD0805 5K6 5% (AC4106)		
R68	RESISTOR METAL FILM SMD0805 1K0 1% (AC0369)		
R69	RESISTOR METAL FILM SMD0805 1K0 1% (AC0369)		
R70	RESISTOR CARBON 10R PRE FORMED 1/4W 5% (AC5077)		
R71	RESISTOR CARBON 10R PRE FORMED 1/4W 5% (AC5077)		
R72	RESISTOR CARBON SMD0805 22K 5% (AC3540)		
R73	RESISTOR CARBON SMD0805 22K 5% (AC3540)		



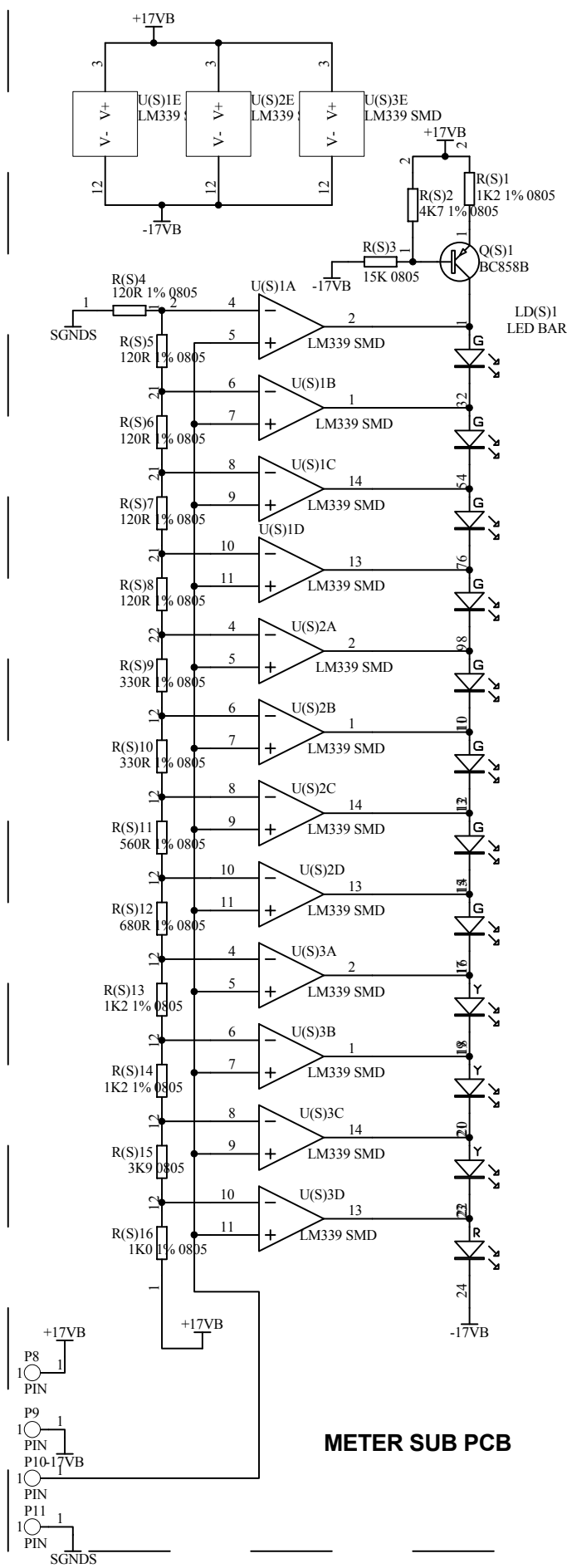
<b>ALLEN&amp;HEATH</b> Kernick Industrial Estate, Penryn, Cornwall, England. TR10 9LU Tel: +44 (0)8707 556250 Fax: +44 (0)8707 556251	ISSUE	BY	DATE	VR1B POT11 200KC X2 D/G BRKT	VR2B POT11 20KB C/D BRKT	VR3B POT11 200KC X2 D/G BRKT	VR4B POT11 20KB C/D BRKT	VR5C POT14 20KK X2 BRKT	TITLE: PA SERIES AUX-FX PCB PAGE: DRG No: C4790 ISSUE: 2.1 SHEET: 1 OF 1
	A	MG	25-02-02						
	B	AAT	30-04-02						
	1	AAT	04-07-02						
	2	AAT	09-09-02						
			FILE: C4790_2.1.SCH	PRINTED: 09:14:03	27-Mar-2003				



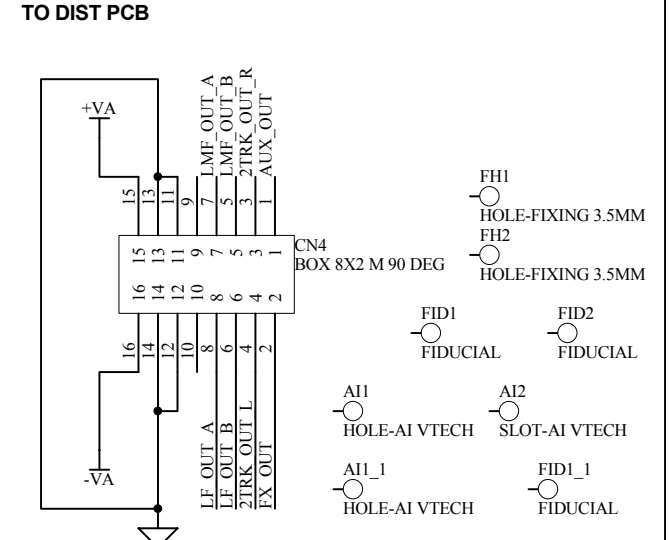
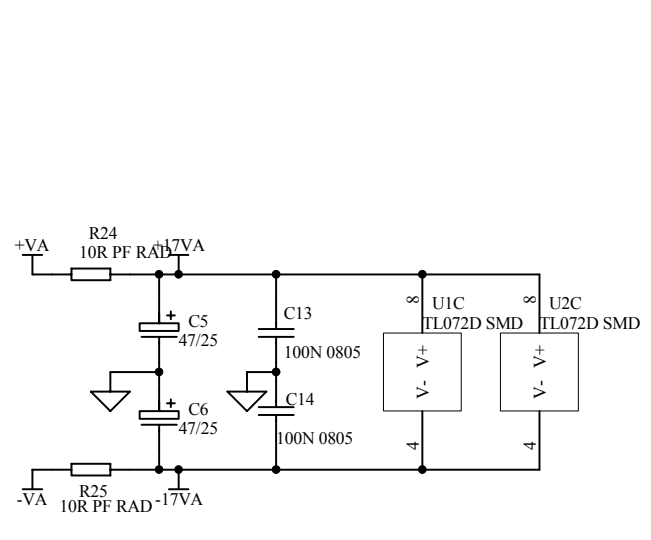
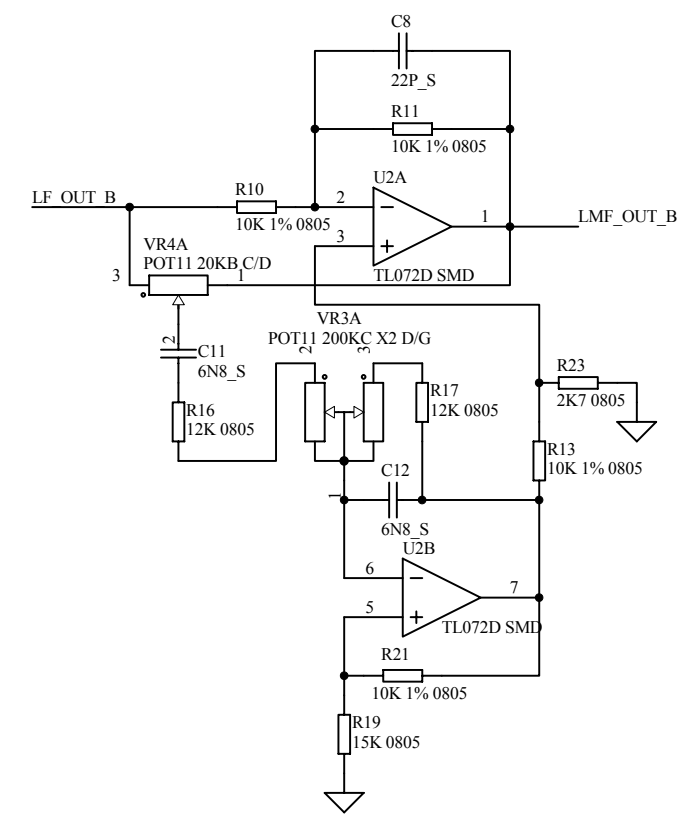
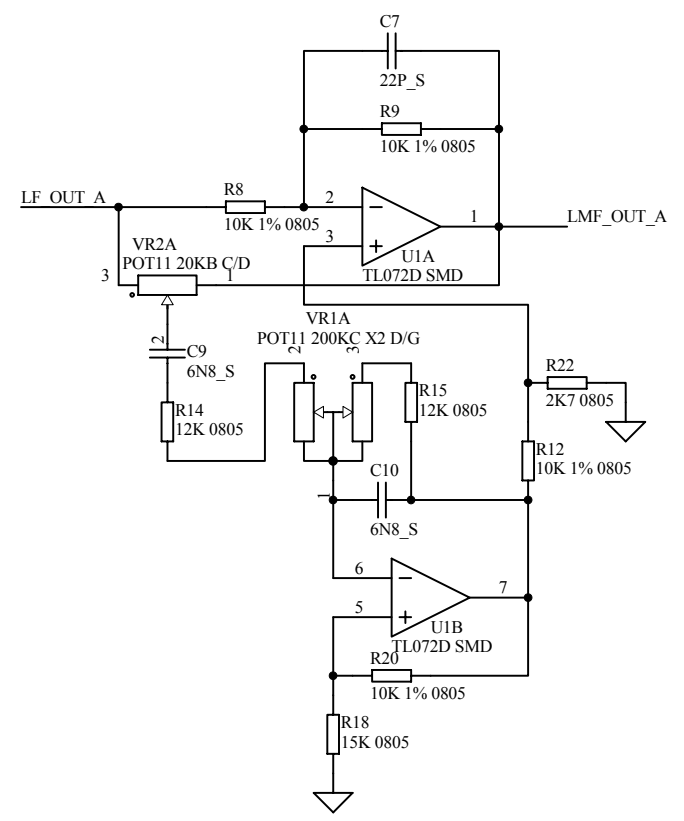
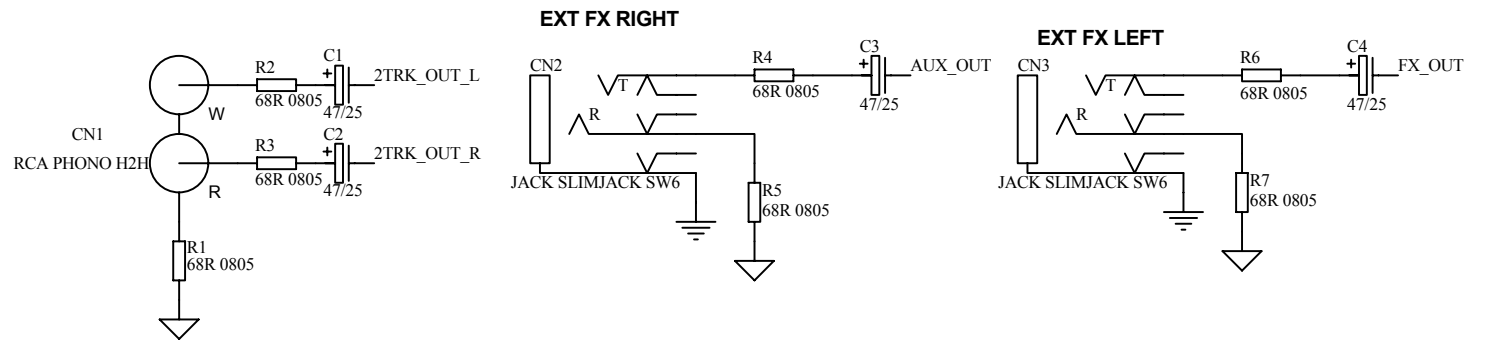
TOP OVERLAY

.GTO

Designator	Description	Designator	Description
C1	CAPACITOR ELECTROLYTIC 100uF 6.3V (AF2984)	R47	RESISTOR METAL FILM SMD0805 470K 2% (AC2844)
C2	CAPACITOR ELECTROLYTIC 100uF 6.3V (AF2984)	R48	RESISTOR CARBON SMD0805 15K 5% (AC3486)
C3	CAPACITOR CERAMIC SMD0805 22P (AF2992)	R49	RESISTOR CARBON SMD0805 15K 5% (AC3486)
C4	CAPACITOR CERAMIC SMD0805 22P (AF2992)	R50	RESISTOR CARBON SMD0805 15K 5% (AC3486)
C5	CAPACITOR CERAMIC SMD0805 22P (AF2992)	R51	RESISTOR CARBON SMD0805 15K 5% (AC3486)
C6	CAPACITOR CERAMIC SMD0805 22P (AF2992)	R52	RESISTOR CARBON SMD0805 5K6 5% (AC4106)
C7	CAPACITOR CERAMIC SMD0805 22P (AF2992)	R53	RESISTOR CARBON 10R PRE FORMED 1/4W 5% (AC5077)
C8	CAPACITOR CERAMIC SMD0805 22P (AF2992)	R54	RESISTOR CARBON 10R PRE FORMED 1/4W 5% (AC5077)
C9	CAPACITOR CERAMIC SMD0805 22P (AF2992)	R55	RESISTOR CARBON SMD0805 0R0 5% (AC2838)
C10	CAPACITOR CERAMIC SMD0805 22P (AF2992)	R56	RESISTOR METAL FILM SMD0805 10K 1% (AC2841)
C11	CAPACITOR CERAMIC SMD0805 22P (AF2992)	R57	RESISTOR METAL FILM SMD0805 10K 1% (AC2841)
C12	CAPACITOR CERAMIC SMD0805 22P (AF2992)	R58	RESISTOR METAL FILM SMD0805 10K 1% (AC2841)
C13	CAPACITOR CERAMIC SMD0805 22P (AF2992)	R59	RESISTOR METAL FILM SMD0805 10K 1% (AC2841)
C14	CAPACITOR ELECTROLYTIC 47uF 25V (AF0208)	R60	RESISTOR METAL FILM SMD0805 3K3 1% (AC3061)
C15	CAPACITOR ELECTROLYTIC 47uF 25V (AF0208)	R61	RESISTOR METAL FILM SMD0805 3K3 1% (AC3061)
C16	CAPACITOR ELECTROLYTIC 47uF 25V (AF0208)	R62	RESISTOR METAL FILM SMD0805 6K8 1% (AC3064)
C17	CAPACITOR ELECTROLYTIC 47uF 25V (AF0208)	R63	RESISTOR METAL FILM SMD0805 6K8 1% (AC3064)
C18	CAPACITOR ELECTROLYTIC 47uF 25V (AF0208)	SW1	SWITCH DPDT ALPS (SPUN) LATCHING (AL0162)
C19	CAPACITOR ELECTROLYTIC 47uF 25V (AF0208)	SW2	SWITCH DPDT ALPS (SPUN) LATCHING (AL0162)
C20	CAPACITOR ELECTROLYTIC 47uF 25V (AF0208)	SW3	SWITCH 2 POLE MOMENTARY (AL0374)
C21	CAPACITOR ELECTROLYTIC 47uF 25V (AF0208)	U1	IC SMD DUAL OP-AMP TL072 (AE3335)
C22	CAPACITOR CERAMIC SMD0805 100N (AF2851)	U2	IC SMD DUAL OP-AMP TL072 (AE3335)
C23	CAPACITOR CERAMIC SMD0805 100N (AF2851)	U3	IC SMD DUAL OP-AMP TL072 (AE3335)
C24	CAPACITOR CERAMIC SMD0805 100N (AF2851)	U4	IC SMD DUAL OP-AMP TL072 (AE3335)
C25	CAPACITOR CERAMIC SMD0805 100N (AF2851)	U5	IC SMD DUAL OP-AMP TL072 (AE3335)
C26	CAPACITOR CERAMIC SMD0805 47N (AF4889)	U6	IC SMD DUAL OP-AMP TL072 (AE3335)
C27	CAPACITOR CERAMIC SMD0805 47N (AF4889)	U7	IC SMD DUAL OP-AMP TL072 (AE3335)
C28	CAPACITOR CERAMIC SMD0805 47N (AF4889)	VR1	POT ALPS 11mm 200K X2 DUAL GANG 204C (AI8005)
C29	CAPACITOR CERAMIC SMD0805 47N (AF4889)	VR2	POT ALPS 11mm 20KB C/D 203B (AI8004)
CN1	RCA PHONO DUAL HORIZONTAL R/W (AL0577)	VR3	POT ALPS 11mm 200K X2 DUAL GANG 204C (AI8005)
CN2	JACK SOCKET HORIZONTAL 6 PIN MET HEADPHONE (AL4713)	VR4	POT ALPS 11mm 20KB C/D 203B (AI8004)
CN3	JACK SOCKET HORIZONTAL 6 PIN MET HEADPHONE (AL4713)	VR5	POT ALPS 14mm 20KK x2 203K (AI8007)
CN5	Connector IDC,Molex Type 0.1 Pitch 8x2 pins (AL4335)	VR7	POT ALPS 11mm 20KK 203K (AI8003)
CN6	Connector IDC,Molex Type 0.1 Pitch 8x2 pins (AL4335)	VR8	POT ALPS 11mm 20KK 203K (AI8003)
CN7	EARTH SCREW TERMINAL NARROW HORIZONTAL TYPE (AA9000)		
CN8	EARTH SCREW TERMINAL NARROW HORIZONTAL TYPE (AA9000)		
CN9	EARTH SCREW TERMINAL NARROW HORIZONTAL TYPE (AA9000)		
D1	DIODE SIGNAL SMD BAS16 (AE3352)		
LD1	LED RECT 5x2.5MM TOMBSTONE RED (AE4863)		
LD2	LED T1 3mm RED (AE0086)		
Q1	TRANSISTOR JFET N CHANNEL J111N (AE0083)		
Q2	TRANSISTOR JFET N CHANNEL J111N (AE0083)		
Q3	TRANSISTOR NPN BC549 (AE0020)		
R1	RESISTOR METAL FILM SMD0805 100K 1% (AC2843)		
R2	RESISTOR METAL FILM SMD0805 100K 1% (AC2843)		
R3	RESISTOR METAL FILM SMD0805 100K 1% (AC2843)		
R4	RESISTOR METAL FILM SMD0805 20K 1% (AC5057)		
R5	RESISTOR SMD 20K 1% 0805 (AC5057)		
R6	RESISTOR METAL FILM SMD0805 10K 1% (AC2841)		
R7	RESISTOR METAL FILM SMD0805 10K 1% (AC2841)		
R8	RESISTOR METAL FILM SMD0805 33K 1% (AC3532)		
R9	RESISTOR METAL FILM SMD0805 10K 1% (AC2841)		
R10	RESISTOR METAL FILM SMD0805 22K 1% (AC2842)		
R11	RESISTOR METAL FILM SMD0805 10K 1% (AC2841)		
R12	RESISTOR METAL FILM SMD0805 10K 1% (AC2841)		
R13	RESISTOR METAL FILM SMD0805 10K 1% (AC2841)		
R14	RESISTOR METAL FILM SMD0805 33K 1% (AC3532)		
R15	RESISTOR METAL FILM SMD0805 22K 1% (AC2842)		
R16	RESISTOR METAL FILM SMD0805 10K 1% (AC2841)		
R17	RESISTOR METAL FILM SMD0805 10K 1% (AC2841)		
R19	RESISTOR METAL FILM SMD0805 10K 1% (AC2841)		
R20	RESISTOR METAL FILM SMD0805 10K 1% (AC2841)		
R21	RESISTOR METAL FILM SMD0805 4K7 1% (AC3062)		
R22	RESISTOR METAL FILM SMD0805 6K8 1% (AC3064)		
R23	RESISTOR METAL FILM SMD0805 33K 1% (AC3532)		
R24	RESISTOR METAL FILM SMD0805 33K 1% (AC3532)		
R25	RESISTOR METAL FILM SMD0805 22K 1% (AC2842)		
R26	RESISTOR METAL FILM SMD0805 22K 1% (AC2842)		
R27	RESISTOR METAL FILM SMD0805 22K 1% (AC2842)		
R28	RESISTOR METAL FILM SMD0805 22K 1% (AC2842)		
R29	RESISTOR METAL FILM SMD0805 22K 1% (AC2842)		
R30	RESISTOR METAL FILM SMD0805 33K 1% (AC3532)		
R31	RESISTOR METAL FILM SMD0805 33K 1% (AC3532)		
R32	RESISTOR CARBON SMD0805 12K 5% (AC4107)		
R33	RESISTOR CARBON SMD0805 12K 5% (AC4107)		
R34	RESISTOR CARBON SMD0805 68R 5% (AC4101)		
R35	RESISTOR CARBON SMD0805 68R 5% (AC4101)		
R36	RESISTOR CARBON SMD0805 47K 5% (AC3035)		
R37	RESISTOR CARBON SMD0805 47K 5% (AC3035)		
R38	RESISTOR CARBON SMD0805 47K 5% (AC3035)		
R39	RESISTOR CARBON SMD0805 47K 5% (AC3035)		
R40	RESISTOR CARBON SMD0805 47K 5% (AC3035)		
R41	RESISTOR CARBON SMD0805 22K 5% (AC3540)		
R42	RESISTOR METAL FILM SMD0805 10K 1% (AC2841)		
R43	RESISTOR METAL FILM SMD0805 10K 1% (AC2841)		
R44	RESISTOR METAL FILM SMD0805 10K 1% (AC2841)		
R45	RESISTOR METAL FILM SMD0805 10K 1% (AC2841)		
R46	RESISTOR METAL FILM SMD0805 3K3 1% (AC3061)		



METER SUB PCB

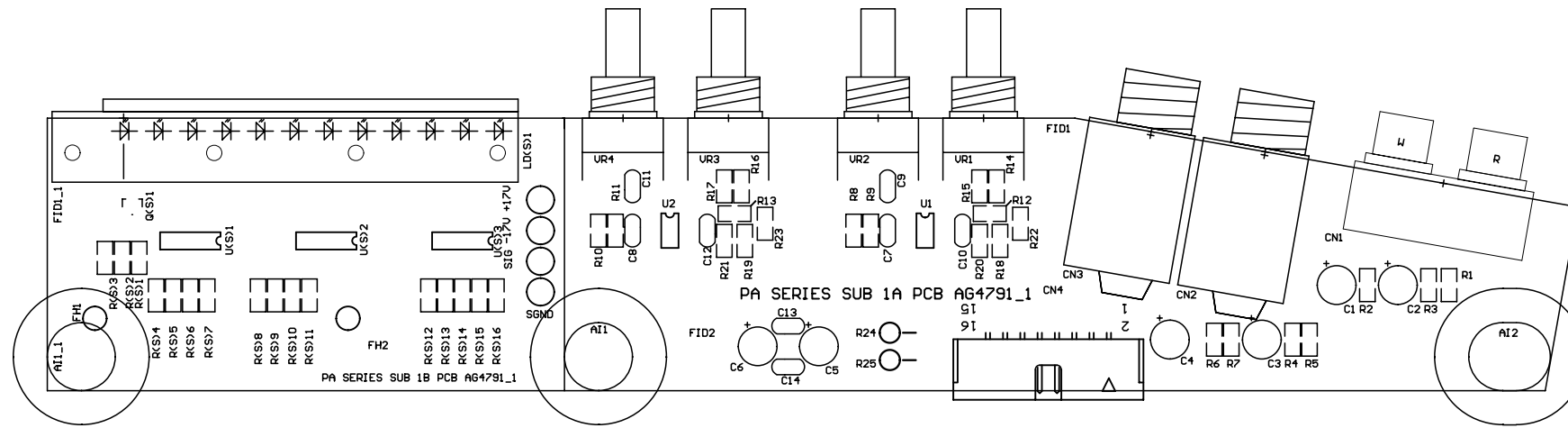


**ALLEN&HEATH**  
 Kernick Industrial Estate,  
 Penryn, Cornwall,  
 England. TR10 9LU  
 Tel: +44 (0)8707 556250  
 Fax: +44 (0)8707 556251

ISSUE	BY	DATE	VR1B	VR2B	VR3B	VR4B
A	MG	25-02-02	POT11 200KC X2 D/G	POT11 20KB C/D	POT11 200KC X2 D/G	POT11 20KB C/D
B	AAT	22-04-02	BRKT	BRKT	BRKT	BRKT
1	AAT	27-06-02				

FILE: C4791\_1P1.SCH      PRINTED: 09:36:03      27-Mar-2003

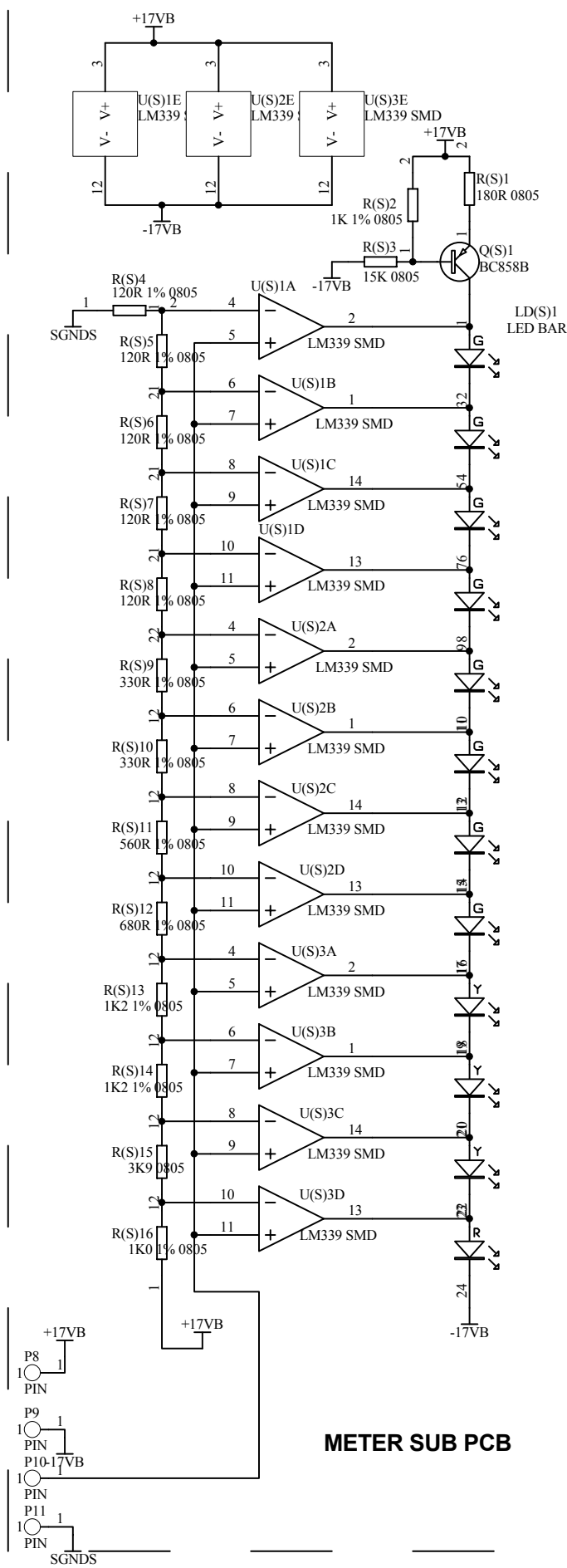
TITLE: PA SERIES SUB 1 PCB  
 PAGE:  
 DRG No: C4791      ISSUE: 1      SHEET: 1 OF 1



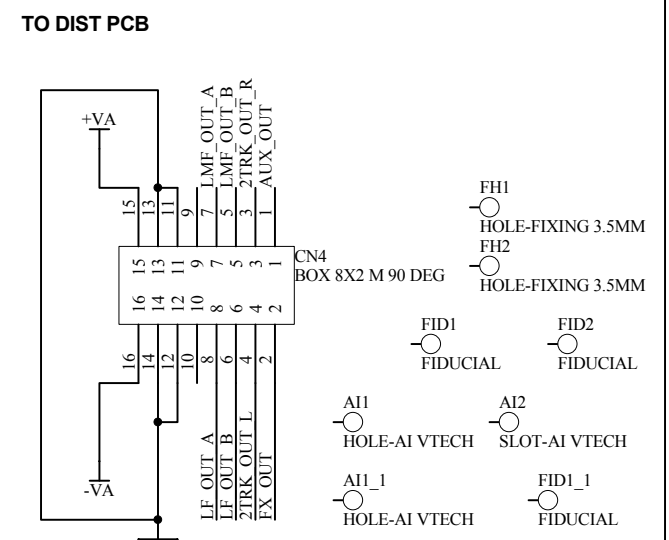
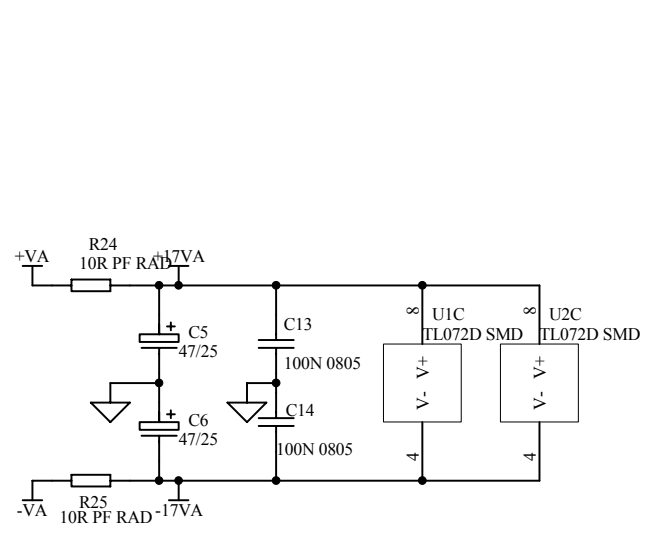
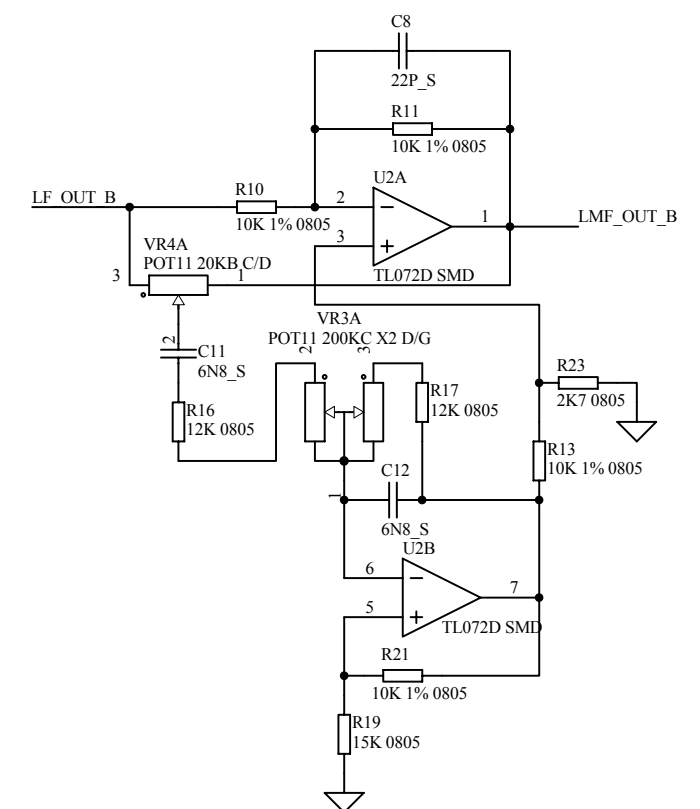
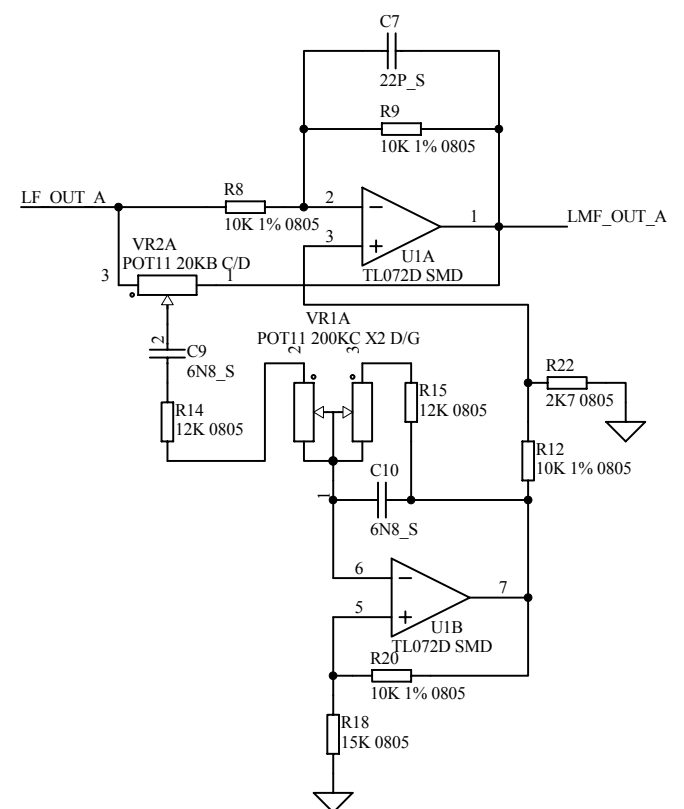
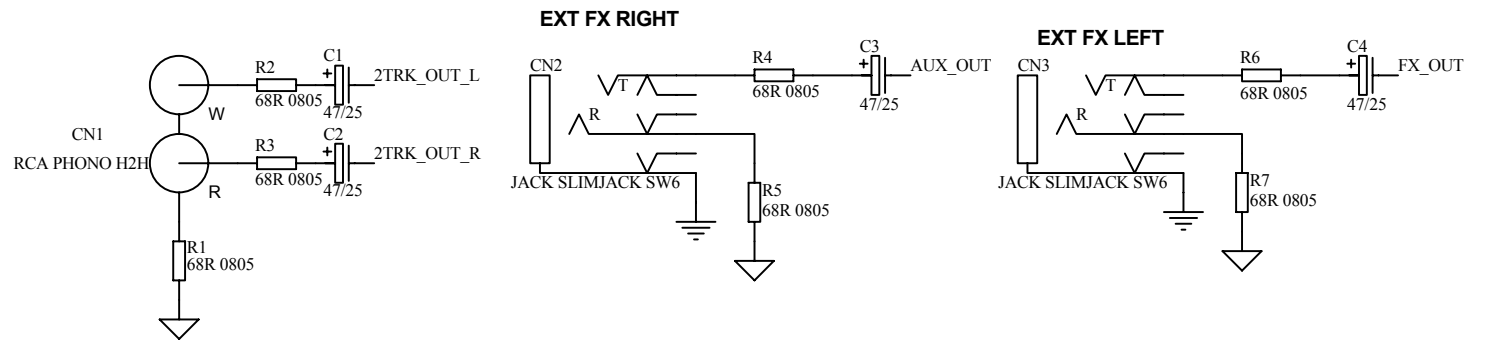
TOP OVERLAY

.GTO

Designator	Description
C1	CAPACITOR ELECTROLYTIC 47uF 25V (AF0208)
C2	CAPACITOR ELECTROLYTIC 47uF 25V (AF0208)
C3	CAPACITOR ELECTROLYTIC 47uF 25V (AF0208)
C4	CAPACITOR ELECTROLYTIC 47uF 25V (AF0208)
C5	CAPACITOR ELECTROLYTIC 47uF 25V (AF0208)
C6	CAPACITOR ELECTROLYTIC 47uF 25V (AF0208)
C7	CAPACITOR CERAMIC SMD0805 22P (AF2992)
C8	CAPACITOR CERAMIC SMD0805 22P (AF2992)
C9	CAPACITOR SMD 6N8 CERAMIC 0805 (AF2994)
C10	CAPACITOR SMD 6N8 CERAMIC 0805 (AF2994)
C11	CAPACITOR SMD 6N8 CERAMIC 0805 (AF2994)
C12	CAPACITOR SMD 6N8 CERAMIC 0805 (AF2994)
C13	CAPACITOR CERAMIC SMD0805 100N (AF2851)
C14	CAPACITOR CERAMIC SMD0805 100N (AF2851)
CN1	RCA PHONO DUAL HORIZONTAL R/W (AL0577)
CN2	JACK SOCKET HORIZONTAL 6 PIN MET HEADPHONE (AL4713)
CN3	JACK SOCKET HORIZONTAL 6 PIN MET HEADPHONE (AL4713)
CN4	Connector IDC,Molex Type 0.1 Pitch 8x2 pins (AL4335)
LD(S)1	LED BAR MB12 SQUARE LEDS IN HOUSING 8G,3Y,1R (AE2701)
Q(S)1	TRANSISTOR PNP BC858B (AE3042)
R1	RESISTOR CARBON SMD0805 68R 5% (AC4101)
R2	RESISTOR CARBON SMD0805 68R 5% (AC4101)
R3	RESISTOR CARBON SMD0805 68R 5% (AC4101)
R4	RESISTOR CARBON SMD0805 68R 5% (AC4101)
R5	RESISTOR CARBON SMD0805 68R 5% (AC4101)
R6	RESISTOR CARBON SMD0805 68R 5% (AC4101)
R7	RESISTOR CARBON SMD0805 68R 5% (AC4101)
R8	RESISTOR METAL FILM SMD0805 10K 1% (AC2841)
R9	RESISTOR METAL FILM SMD0805 10K 1% (AC2841)
R10	RESISTOR METAL FILM SMD0805 10K 1% (AC2841)
R11	RESISTOR METAL FILM SMD0805 10K 1% (AC2841)
R12	RESISTOR METAL FILM SMD0805 10K 1% (AC2841)
R13	RESISTOR METAL FILM SMD0805 10K 1% (AC2841)
R14	RESISTOR CARBON SMD0805 12K 5% (AC4107)
R15	RESISTOR CARBON SMD0805 12K 5% (AC4107)
R16	RESISTOR CARBON SMD0805 12K 5% (AC4107)
R17	RESISTOR CARBON SMD0805 12K 5% (AC4107)
R18	RESISTOR CARBON SMD0805 15K 5% (AC3486)
R19	RESISTOR CARBON SMD0805 15K 5% (AC3486)
R20	RESISTOR METAL FILM SMD0805 10K 1% (AC2841)
R21	RESISTOR METAL FILM SMD0805 10K 1% (AC2841)
R22	RESISTOR CARBON SMD0805 2K7 5% (AC4698)
R23	RESISTOR CARBON SMD0805 2K7 5% (AC4698)
R24	RESISTOR CARBON 10R PRE FORMED 1/4W 5% (AC5077)
R25	RESISTOR CARBON 10R PRE FORMED 1/4W 5% (AC5077)
R(S)1	RESISTOR METAL FILM SMD0805 1K2 1% (AC3059)
R(S)2	RESISTOR METAL FILM SMD0805 4K7 1% (AC3062)
R(S)3	RESISTOR CARBON SMD0805 15K 5% (AC3486)
R(S)4	RESISTOR METAL FILM SMD0805 120R 1% (AC3055)
R(S)5	RESISTOR METAL FILM SMD0805 120R 1% (AC3055)
R(S)6	RESISTOR METAL FILM SMD0805 120R 1% (AC3055)
R(S)7	RESISTOR METAL FILM SMD0805 120R 1% (AC3055)
R(S)8	RESISTOR METAL FILM SMD0805 120R 1% (AC3055)
R(S)9	RESISTOR METAL FILM SMD0805 330R 1% (AC3056)
R(S)10	RESISTOR METAL FILM SMD0805 330R 1% (AC3056)
R(S)11	RESISTOR METAL FILM SMD0805 560R 1% (AC3057)
R(S)12	RESISTOR METAL FILM SMD0805 680R 1% (AC3058)
R(S)13	RESISTOR METAL FILM SMD0805 1K2 1% (AC3059)
R(S)14	RESISTOR METAL FILM SMD0805 1K2 1% (AC3059)
R(S)15	RESISTOR CARBON SMD0805 3K9 5% (AC4105)
R(S)16	RESISTOR METAL FILM SMD0805 1K0 1% (AC0369)
U1	IC SMD DUAL OP-AMP TL072 (AE3335)
U2	IC SMD DUAL OP-AMP TL072 (AE3335)
U(S)1	IC LM339 COMPARATOR SMD (AE4890)
U(S)2	IC LM339 COMPARATOR SMD (AE4890)
U(S)3	IC LM339 COMPARATOR SMD (AE4890)
VR1	POT ALPS 11mm 200KC X2 DUAL GANG 204C (AI8005)
VR2	POT ALPS 11mm 20KB C/D 203B (AI8004)
VR3	POT ALPS 11mm 200KC X2 DUAL GANG 204C (AI8005)
VR4	POT ALPS 11mm 20KB C/D 203B (AI8004)



METER SUB PCB



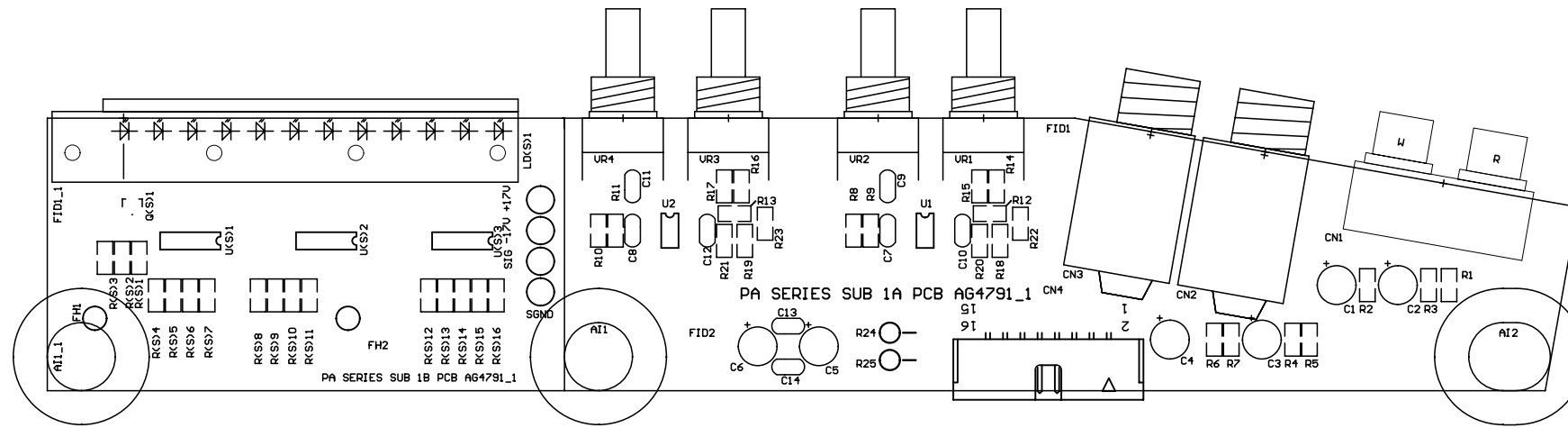
**ALLEN&HEATH**  
 Kernick Industrial Estate,  
 Penryn, Cornwall,  
 England. TR10 9LU  
 Tel: +44 (0)8707 556250  
 Fax: +44 (0)8707 556251

ISSUE	BY	DATE	VR1B	VR2B	VR3B	VR4B
A	MG	25-02-02	POT11 200KC X2 D/G	POT11 200KC X2 D/G	POT11 200KC X2 D/G	POT11 20KB C/D
B	AAT	22-04-02	BRKT	BRKT	BRKT	BRKT
1	AAT	27-06-02				
1.1	MG	07-07-03				

FILE: C4791\_1.1.SCH PRINTED: 15:53:44 29-Jul-2003

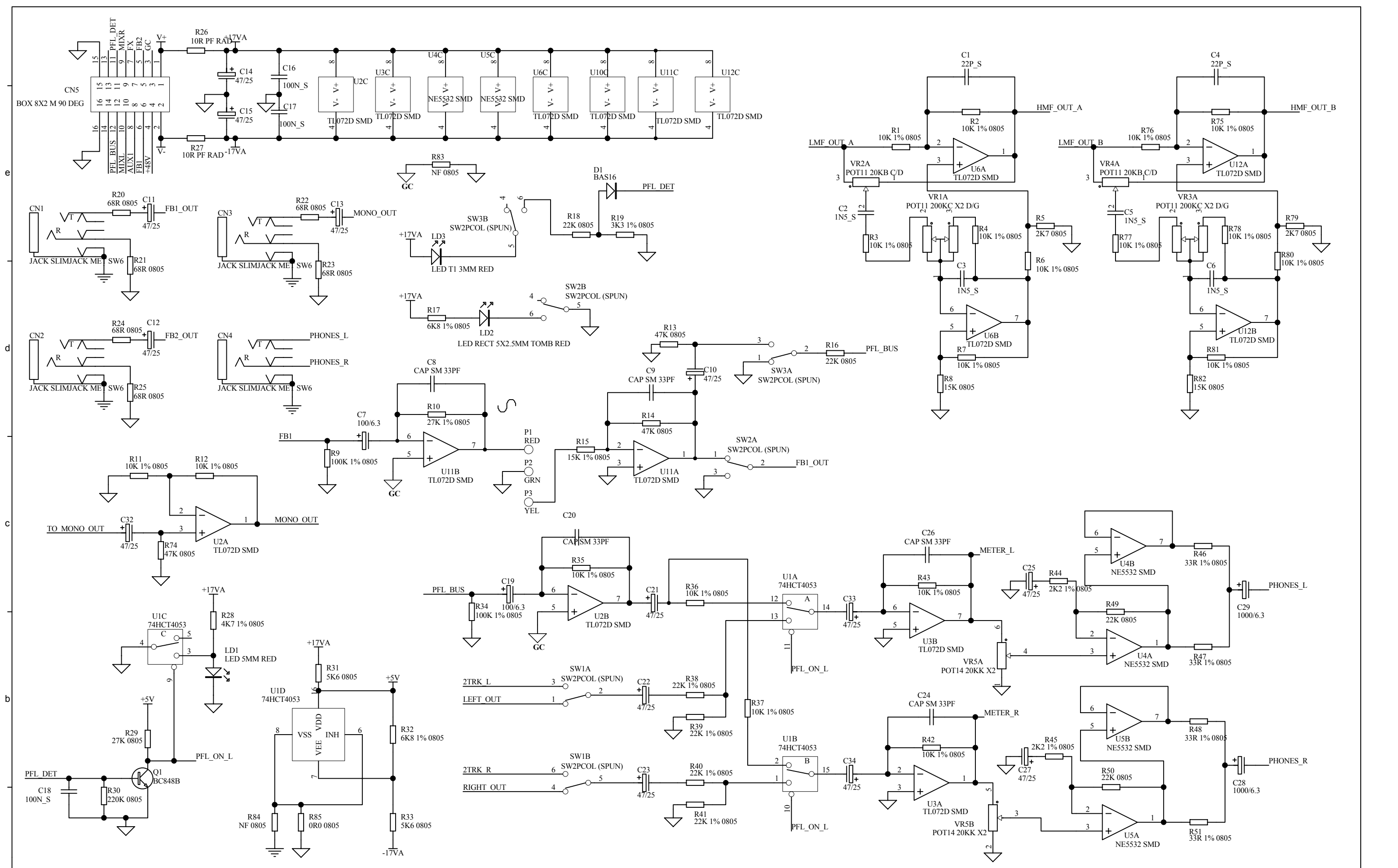
TITLE: PA SERIES SUB 1 PCB  
 PAGE:  
 DRG No: C4791 ISSUE: 1.1 SHEET: 1 OF 1





TOP OVERLAY

.GTO



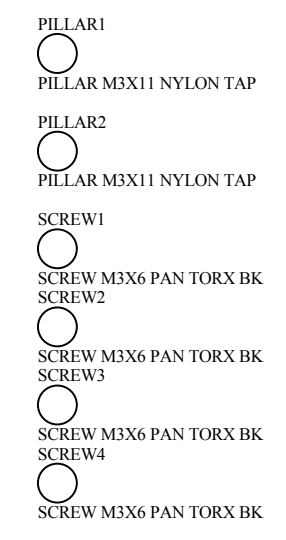
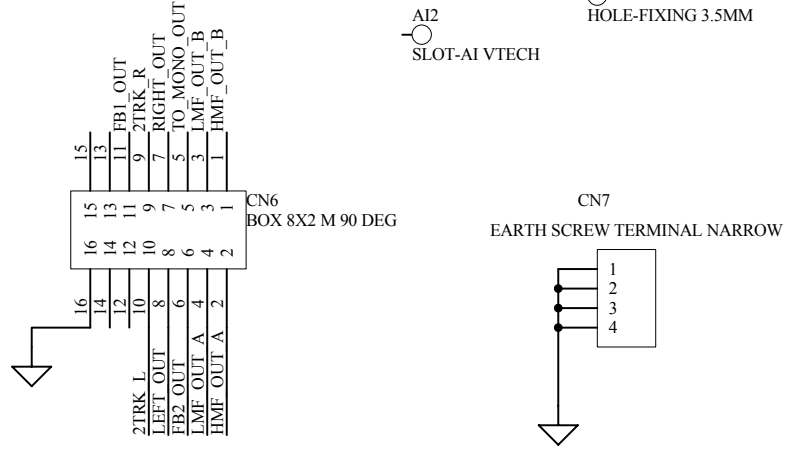
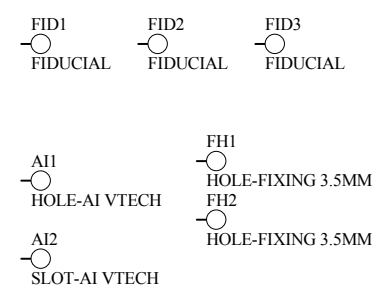
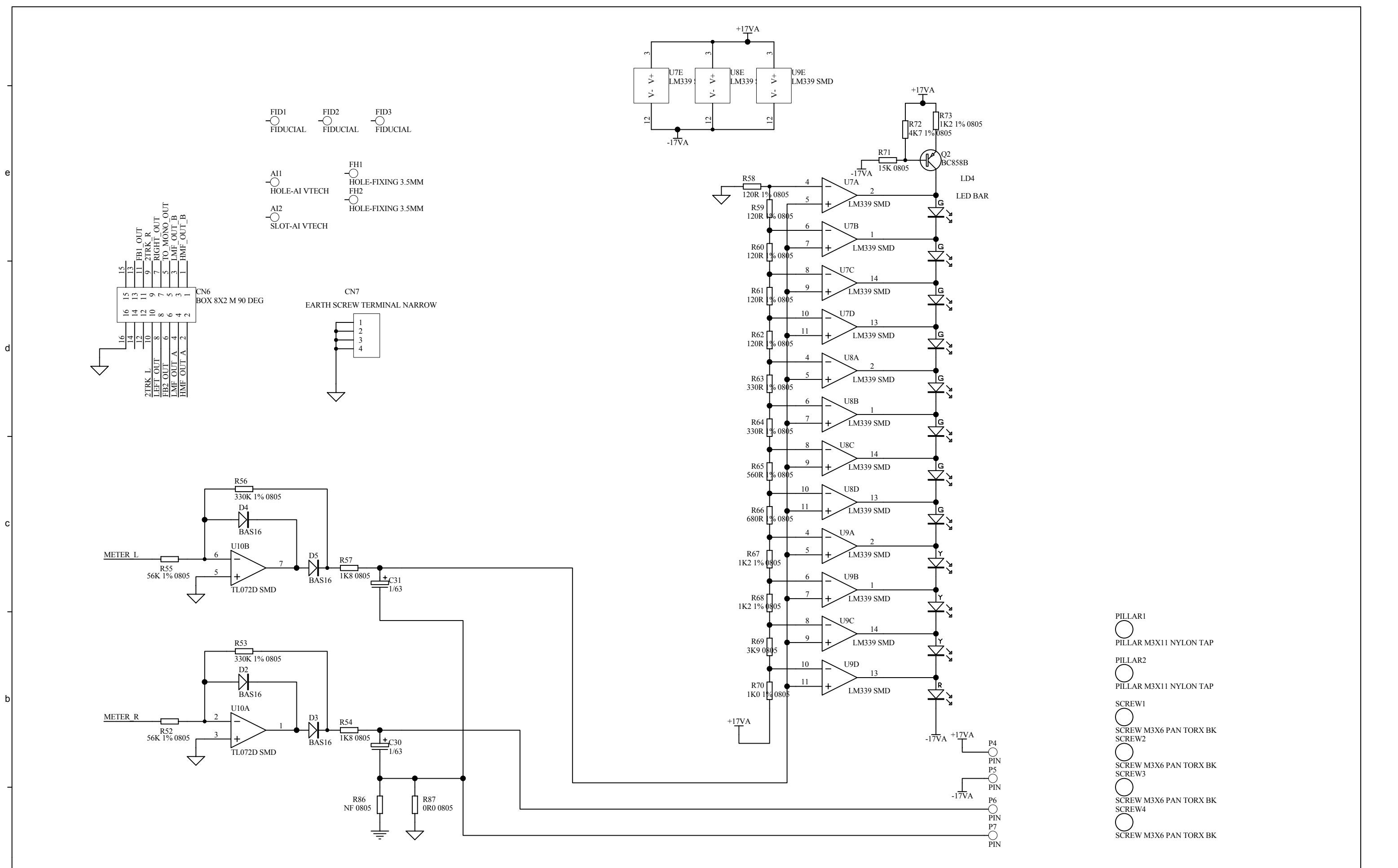
**ALLEN&HEATH**  
 Kernick Industrial Estate,  
 Penryn, Cornwall,  
 England. TR10 9LU  
 Tel: +44 (0)8707 556250  
 Fax: +44 (0)8707 556251

ISSUE	BY	DATE
A	JB	7/3/02
B	JB	29/4/02
C	AAT	01-05-02
1	AAT	24-07-02
2	MG	21-10-02

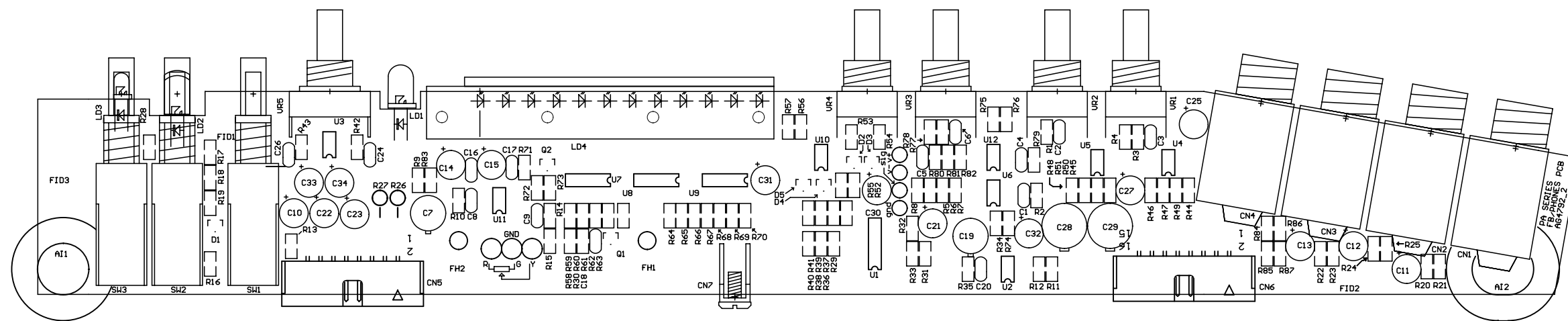
VR1B	VR2B	VR3B	VR4B	VR5C
POT11 200KC X2 D/G	POT11 20KB C/D	POT11 200KC X2 D/G	POT11 20KB C/D	POT11 20KB C/D

FILE: C4792\_2P2.Sch      PRINTED: 09:59:09      27-Mar-2003

TITLE: PA Series Foldback/Phones pcb  
 PAGE:  
 DRG No: C4792      ISSUE: 2      SHEET: 1 OF 2



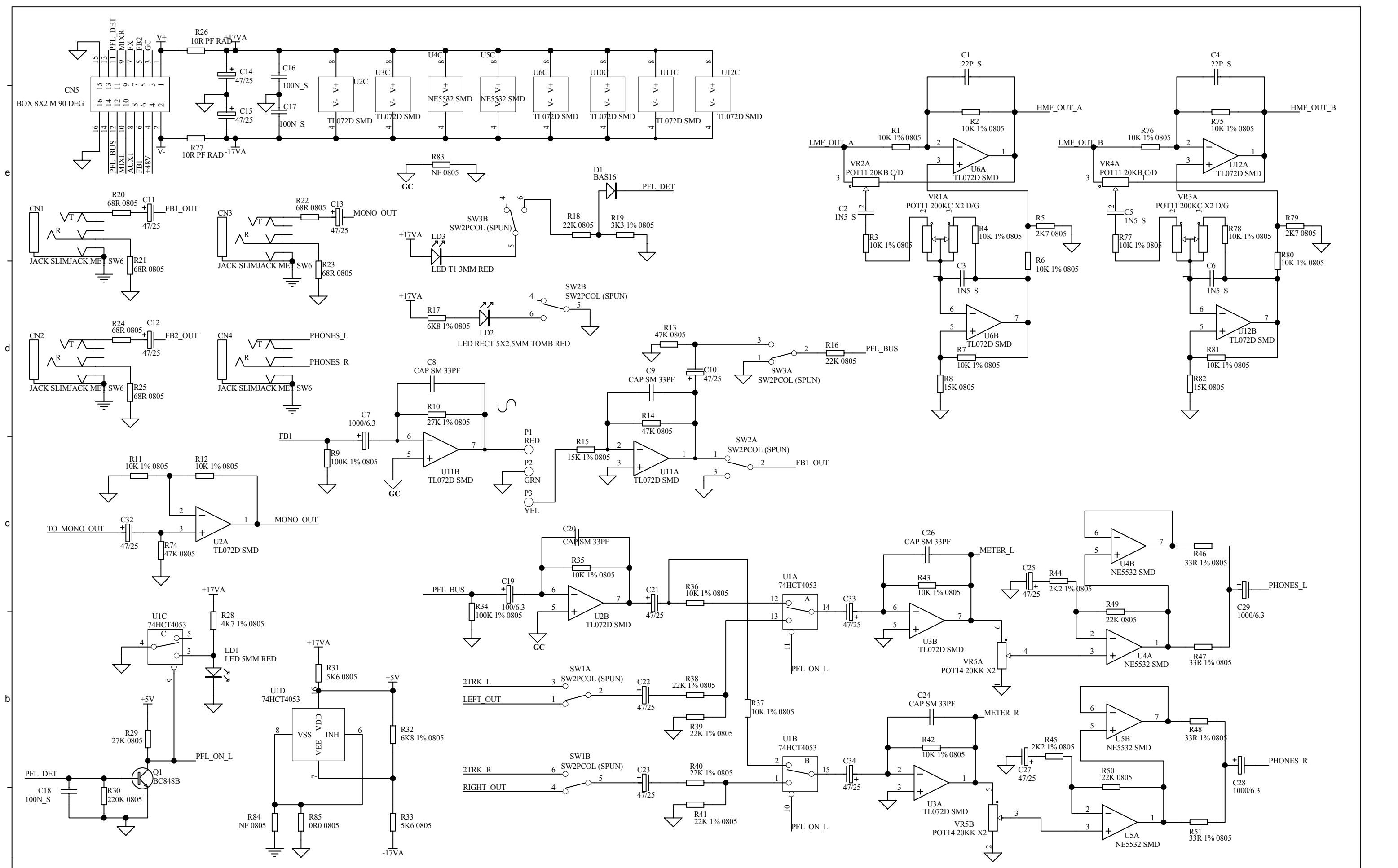
<b>ALLEN&amp;HEATH</b> Kernick Industrial Estate, Penryn, Cornwall, England. TR10 9LU Tel: +44 (0)8707 556250 Fax: +44 (0)8707 556251	ISSUE	BY	DATE	TITLE: PA Series Foldback/Phones pcb PAGE:
	ORIGIN			
	A	JB	7/3/02	DRG No: C4792 ISSUE: 2 SHEET: 2 OF 2
	B	JB	29/4/02	
	C	AAT	01-05-02	
	1	AAT	24-07-02	
	2	MG	21-10-02	
FILE: C4792_2P3.Sch	PRINTED: 09:59:09	27-Mar-2003		



TOP OVERLAY

.GTO

Designator	Description	Designator	Description
C1	CAPACITOR CERAMIC SMD0805 22P (AF2992)	R37	RESISTOR METAL FILM SMD0805 10K 1% (AC2841)
C2	CAPACITOR SMD 1N5 CERAMIC SMD (AF2991)	R38	RESISTOR SMD 22K 1% 0805 (AC2842)
C3	CAPACITOR SMD 1N5 CERAMIC SMD (AF2991)	R39	RESISTOR SMD 22K 1% 0805 (AC2842)
C4	CAPACITOR CERAMIC SMD0805 22P (AF2992)	R40	RESISTOR SMD 22K 1% 0805 (AC2842)
C5	CAPACITOR SMD 1N5 CERAMIC SMD (AF2991)	R41	RESISTOR SMD 22K 1% 0805 (AC2842)
C6	CAPACITOR SMD 1N5 CERAMIC SMD (AF2991)	R42	RESISTOR METAL FILM SMD0805 10K 1% (AC2841)
C7	CAPACITOR ELECTROLYTIC 100uF 6.3V (AF2984)	R43	RESISTOR METAL FILM SMD0805 10K 1% (AC2841)
C8	CAP SM 33pF (AF4887)	R44	RESISTOR METAL FILM SMD0805 2K2 1% (AC0370)
C9	CAP SM 33pF (AF4887)	R45	RESISTOR METAL FILM SMD0805 2K2 1% (AC0370)
C10	CAPACITOR ELECTROLYTIC 47uF 25V (AF0208)	R46	RESISTOR METAL FILM SMD0805 33R 1% (AC2839)
C11	CAPACITOR ELECTROLYTIC 47uF 25V (AF0208)	R47	RESISTOR METAL FILM SMD0805 33R 1% (AC2839)
C12	CAPACITOR ELECTROLYTIC 47uF 25V (AF0208)	R48	RESISTOR METAL FILM SMD0805 33R 1% (AC2839)
C13	CAPACITOR ELECTROLYTIC 47uF 25V (AF0208)	R49	RESISTOR CARBON SMD0805 22K 5% (AC3540)
C14	CAPACITOR ELECTROLYTIC 47uF 25V (AF0208)	R50	RESISTOR CARBON SMD0805 22K 5% (AC3540)
C15	CAPACITOR ELECTROLYTIC 47uF 25V (AF0208)	R51	RESISTOR METAL FILM SMD0805 33R 1% (AC2839)
C16	CAPACITOR CERAMIC SMD0805 100N (AF2851)	R52	RESISTOR SMD 56K 1% 0805 METAL (AC5051)
C17	CAPACITOR CERAMIC SMD0805 100N (AF2851)	R53	RESISTOR METAL FILM SMD0805 330K 1% (AC3087)
C18	CAPACITOR CERAMIC SMD0805 100N (AF2851)	R54	RESISTOR CARBON SMD0805 1K8 5% (AC3029)
C19	CAPACITOR ELECTROLYTIC 100uF 6.3V (AF2984)	R55	RESISTOR SMD 56K 1% 0805 METAL (AC5051)
C20	CAP SM 33pF (AF4887)	R56	RESISTOR METAL FILM SMD0805 330K 1% (AC3087)
C21	CAPACITOR ELECTROLYTIC 47uF 25V (AF0208)	R57	RESISTOR CARBON SMD0805 1K8 5% (AC3029)
C22	CAPACITOR ELECTROLYTIC 47uF 25V (AF0208)	R58	RESISTOR METAL FILM SMD0805 120R 1% (AC3055)
C23	CAPACITOR ELECTROLYTIC 47uF 25V (AF0208)	R59	RESISTOR METAL FILM SMD0805 120R 1% (AC3055)
C24	CAP SM 33pF (AF4887)	R60	RESISTOR METAL FILM SMD0805 120R 1% (AC3055)
C25	CAPACITOR ELECTROLYTIC 47uF 25V (AF0208)	R61	RESISTOR METAL FILM SMD0805 120R 1% (AC3055)
C26	CAP SM 33pF (AF4887)	R62	RESISTOR METAL FILM SMD0805 120R 1% (AC3055)
C27	CAPACITOR ELECTROLYTIC 47uF 25V (AF0208)	R63	RESISTOR METAL FILM SMD0805 330R 1% (AC3056)
C28	CAPACITOR ELECTROLYTIC 1000uF 6.3V (AF8123)	R64	RESISTOR METAL FILM SMD0805 330R 1% (AC3056)
C29	CAPACITOR ELECTROLYTIC 1000uF 6.3V (AF8123)	R65	RESISTOR METAL FILM SMD0805 560R 1% (AC3057)
C30	CAPACITOR ELECTROLYTIC 1uF 63V (AF0210)	R66	RESISTOR METAL FILM SMD0805 680R 1% (AC3058)
C31	CAPACITOR ELECTROLYTIC 1uF 63V (AF0210)	R67	RESISTOR METAL FILM SMD0805 1K2 1% (AC3059)
C32	CAPACITOR ELECTROLYTIC 47uF 25V (AF0208)	R68	RESISTOR METAL FILM SMD0805 1K2 1% (AC3059)
C33	CAPACITOR ELECTROLYTIC 47uF 25V (AF0208)	R69	RESISTOR CARBON SMD0805 3K9 5% (AC4105)
C34	CAPACITOR ELECTROLYTIC 47uF 25V (AF0208)	R70	RESISTOR METAL FILM SMD0805 1K0 1% (AC0369)
CN1	JACK SOCKET HORIZONTAL 6 PIN MET HEADPHONE (AL4713)	R71	RESISTOR CARBON SMD0805 15K 5% (AC3486)
CN2	JACK SOCKET HORIZONTAL 6 PIN MET HEADPHONE (AL4713)	R72	RESISTOR METAL FILM SMD0805 4K7 1% (AC3062)
CN3	JACK SOCKET HORIZONTAL 6 PIN MET HEADPHONE (AL4713)	R73	RESISTOR METAL FILM SMD0805 1K2 1% (AC3059)
CN4	JACK SOCKET HORIZONTAL 6 PIN MET HEADPHONE (AL4713)	R74	RESISTOR CARBON SMD0805 47K 5% (AC3035)
CN5	Connector IDC,Molex Type 0.1 Pitch 8x2 pins (AL4335)	R75	RESISTOR METAL FILM SMD0805 10K 1% (AC2841)
CN6	Connector IDC,Molex Type 0.1 Pitch 8x2 pins (AL4335)	R76	RESISTOR METAL FILM SMD0805 10K 1% (AC2841)
CN7	EARTH SCREW TERMINAL NARROW HORIZONTAL TYPE (AA9000)	R77	RESISTOR METAL FILM SMD0805 10K 1% (AC2841)
D1	DIODE SIGNAL SMD BAS16 (AE3352)	R78	RESISTOR METAL FILM SMD0805 10K 1% (AC2841)
D2	DIODE SIGNAL SMD BAS16 (AE3352)	R79	RESISTOR SMD 2K7 5% 0805 (AC4698)
D3	DIODE SIGNAL SMD BAS16 (AE3352)	R80	RESISTOR METAL FILM SMD0805 10K 1% (AC2841)
D4	DIODE SIGNAL SMD BAS16 (AE3352)	R81	RESISTOR METAL FILM SMD0805 10K 1% (AC2841)
D5	DIODE SIGNAL SMD BAS16 (AE3352)	R82	RESISTOR CARBON SMD0805 15K 5% (AC3486)
LD1	LED 0.2" RED (AE0001)	R85	RESISTOR SMD 0R 5% 0805 (AC2838)
LD3	LED T1 3MM RED (AE0086)	R87	RESISTOR SMD 0R 5% 0805 (AC2838)
LD2	LED RECT 5x2.5MM TOMBSTONE RED (AE4863)	SW1	SWITCH DPDT ALPS (SPUN) LATCHING (AL0162)
LD4	LED BAR MB12 SQUARE LEDS IN HOUSING 8G,3Y,1R (AE2701)	SW2	SWITCH DPDT ALPS (SPUN) LATCHING (AL0162)
Q1	TRANSISTOR NPN BC848B (AE3332)	SW3	SWITCH DPDT ALPS (SPUN) LATCHING (AL0162)
Q2	TRANSISTOR PNP BC858B (AE3042)	U1	IC SMD 74HC4053 (AE3355)
R1	RESISTOR METAL FILM SMD0805 10K 1% (AC2841)	U2	IC SMD DUAL OP-AMP TL072 (AE3335)
R2	RESISTOR METAL FILM SMD0805 10K 1% (AC2841)	U3	IC SMD DUAL OP-AMP TL072 (AE3335)
R3	RESISTOR METAL FILM SMD0805 10K 1% (AC2841)	U4	IC SMD DUAL OP-AMP NE5532 (AE4699)
R4	RESISTOR METAL FILM SMD0805 10K 1% (AC2841)	U5	IC SMD DUAL OP-AMP NE5532 (AE4699)
R5	RESISTOR SMD 2K7 5% 0805 (AC4698)	U6	IC SMD DUAL OP-AMP TL072 (AE3335)
R6	RESISTOR METAL FILM SMD0805 10K 1% (AC2841)	U7	IC LM339 COMPARATOR SMD (AE4890)
R7	RESISTOR METAL FILM SMD0805 10K 1% (AC2841)	U8	IC LM339 COMPARATOR SMD (AE4890)
R8	RESISTOR CARBON SMD0805 15K 5% (AC3486)	U9	IC LM339 COMPARATOR SMD (AE4890)
R9	RESISTOR METAL FILM SMD0805 100K 1% (AC2843)	U10	IC SMD DUAL OP-AMP TL072 (AE3335)
R10	RESISTOR SMD 27K 1% 0805 METAL (AC5049)	U11	IC SMD DUAL OP-AMP TL072 (AE3335)
R11	RESISTOR METAL FILM SMD0805 10K 1% (AC2841)	U12	IC SMD DUAL OP-AMP TL072 (AE3335)
R12	RESISTOR METAL FILM SMD0805 10K 1% (AC2841)	VR1	POT ALPS 11mm 200K X2 DUAL GANG 204C (AI8005)
R13	RESISTOR SMD 47K 5% 0805 (AC3035)	VR2	POT ALPS 11mm 20KB C/D 203B (AI8004)
R14	RESISTOR SMD 47K 5% 0805 (AC3035)	VR3	POT ALPS 11mm 200K X2 DUAL GANG 204C (AI8005)
R15	RESISTOR SMD 15K 1% 0805 METAL (AC5050)	VR4	POT ALPS 11mm 20KB C/D 203B (AI8004)
R16	RESISTOR CARBON SMD0805 22K 5% (AC3540)	VR5	POT ALPS 14mm 20KK x2 203K (AI8007)
R17	RESISTOR METAL FILM SMD0805 6K8 1% (AC3064)	modification	CAP ML CER 100NF 100V 104
R18	RESISTOR CARBON SMD0805 22K 5% (AC3540)		
R19	RESISTOR METAL FILM SMD0805 3K3 1% (AC3061)		
R20	RESISTOR CARBON SMD0805 68R 5% (AC4101)		
R21	RESISTOR CARBON SMD0805 68R 5% (AC4101)		
R22	RESISTOR CARBON SMD0805 68R 5% (AC4101)		
R23	RESISTOR CARBON SMD0805 68R 5% (AC4101)		
R24	RESISTOR CARBON SMD0805 68R 5% (AC4101)		
R25	RESISTOR CARBON SMD0805 68R 5% (AC4101)		
R26	RESISTOR CARBON 10R PRE FORMED 1/4W 5% (AC5077)		
R27	RESISTOR CARBON 10R PRE FORMED 1/4W 5% (AC5077)		
R28	RESISTOR METAL FILM SMD0805 4K7 1% (AC3062)		
R29	RES SMD 56K 1% 0805 METAL FILM (AC5051)		
R30	RESISTOR CARBON SMD0805 220K 5% (AC4108)		
R31	RESISTOR CARBON SMD0805 5K6 5% (AC4106)		
R32	RESISTOR METAL FILM SMD0805 6K8 1% (AC3064)		
R33	RESISTOR CARBON SMD0805 5K6 5% (AC4106)		
R34	RESISTOR METAL FILM SMD0805 100K 1% (AC2843)		
R35	RESISTOR METAL FILM SMD0805 10K 1% (AC2841)		
R36	RESISTOR METAL FILM SMD0805 10K 1% (AC2841)		

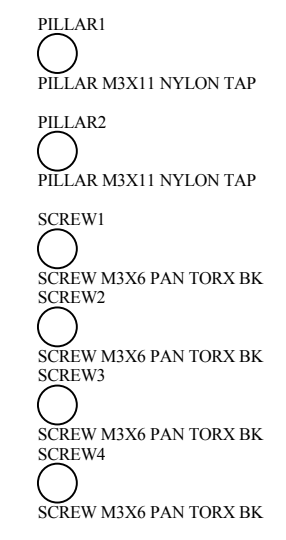
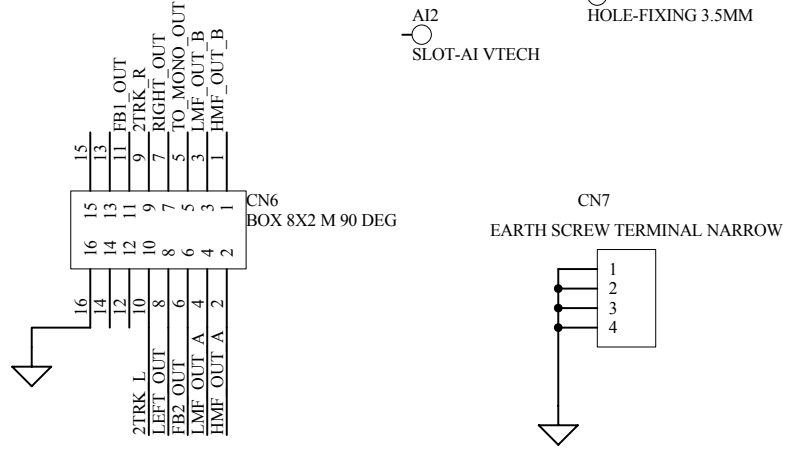
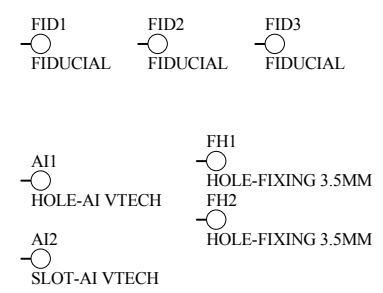
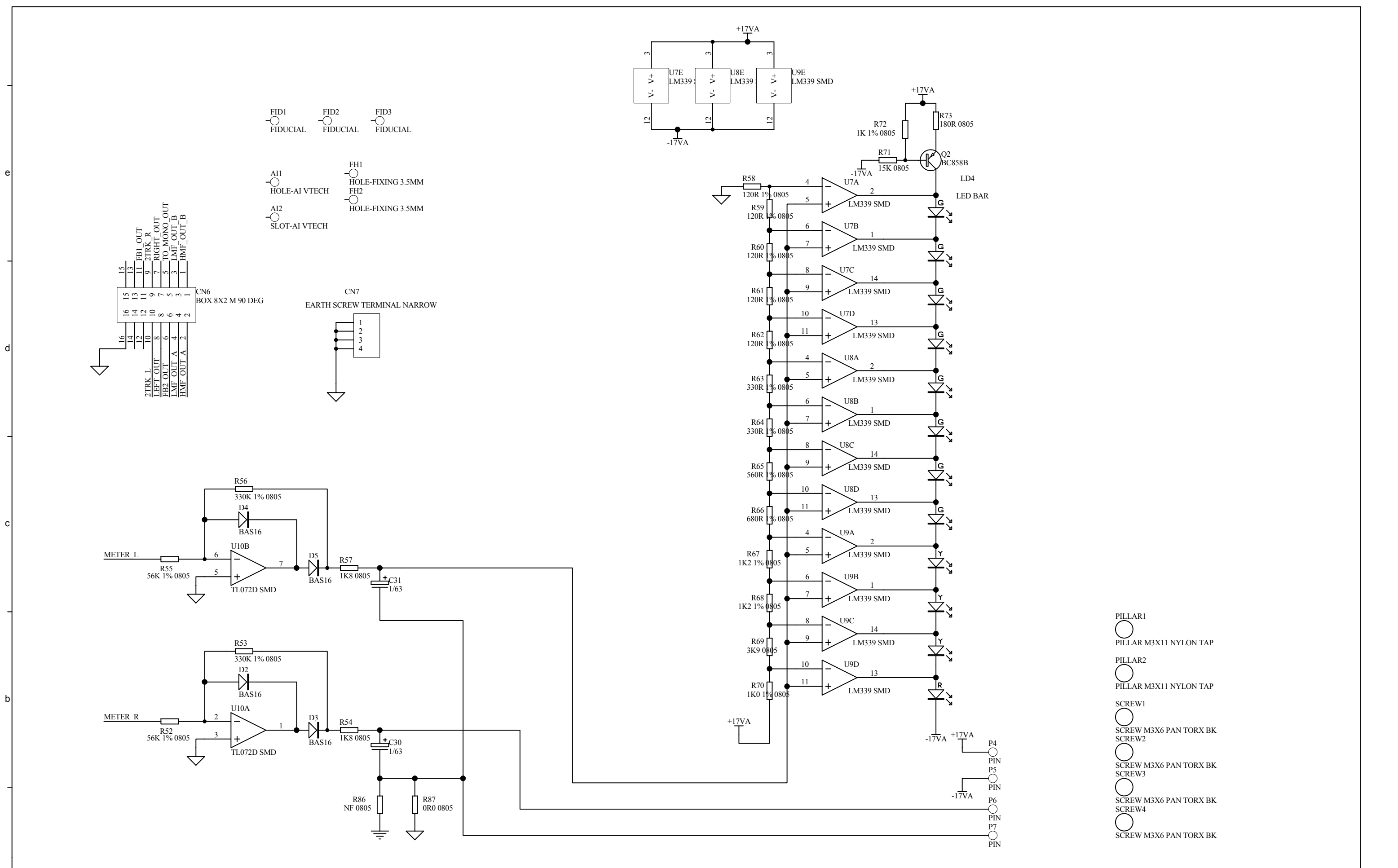


**ALLEN&HEATH**  
 Kernick Industrial Estate,  
 Penryn, Cornwall,  
 England. TR10 9LU  
 Tel: +44 (0)8707 556250  
 Fax: +44 (0)8707 556251

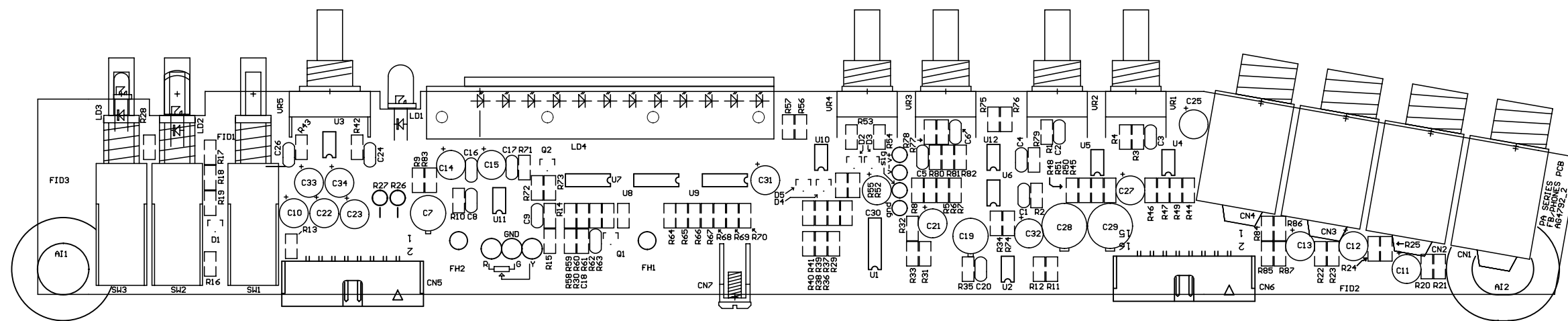
ISSUE	BY	DATE	VR1B	VR2B	VR3B	VR4B	VR5C
ORIGIN			POT11 200KC X2 D/G	POT11 20KB C/D	POT11 200KC X2 D/G	POT11 20KB C/D	POT14 20KK X2
A	JB	7/3/02					
B	JB	29/4/02					
C	AAT	01-05-02					
1	AAT	24-07-02					
2	MG	21-10-02					
2.1	MG	07-07-03					

FILE: C4792\_2.1P1.Sch      PRINTED: 16:04:25      29-Jul-2003

TITLE: PA Series Foldback/Phones pcb  
 PAGE:  
 DRG No: C4792      ISSUE: 2.1      SHEET: 1 OF 2



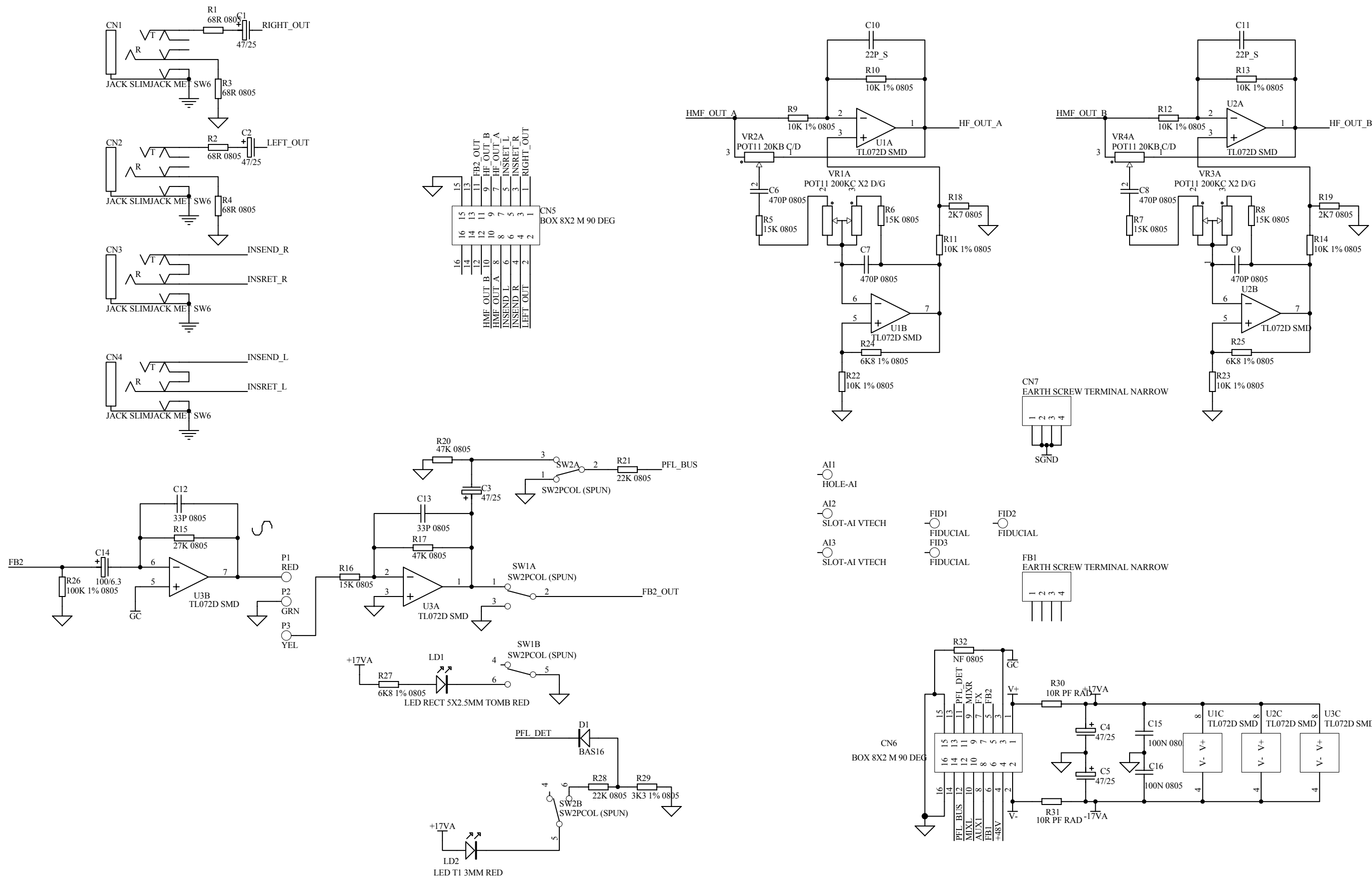
<b>ALLEN&amp;HEATH</b> Kernick Industrial Estate, Penryn, Cornwall, England. TR10 9LU Tel: +44 (0)8707 556250 Fax: +44 (0)8707 556251	ISSUE	BY	DATE	TITLE: PA Series Foldback/Phones pcb PAGE:
	ORIGIN			
	A	JB	7/3/02	FILE: C4792_2.1P2.Sch
	B	JB	29/4/02	PRINTED: 16:04:25 29-Jul-2003
	C	AAT	01-05-02	
	1	AAT	24-07-02	
	2	MG	21-10-02	
	2.1	MG	07-07-03	



TOP OVERLAY

.GTO





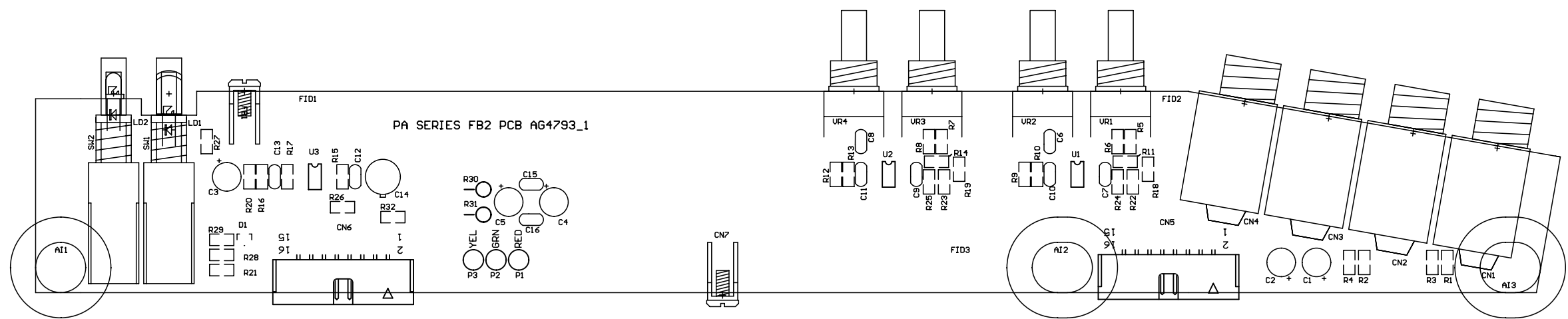
**ALLEN&HEATH**  
 Kernick Industrial Estate,  
 Penryn, Cornwall,  
 England. TR10 9LU  
 Tel: +44 (0)8707 556250  
 Fax: +44 (0)8707 556251

ISSUE	BY	DATE
A	JB	7/3/02
B	AAT	19-04-02
1	AAT	27-06-02

VR1B	VR2B	VR3B	VR4B
POT11 200KC X2 D/G	POT11 20KB C/D	POT11 200KC X2 D/G	POT11 20KB C/D

FILE: C4793\_1.Sch      PRINTED: 10:31:27 27-Mar-2003

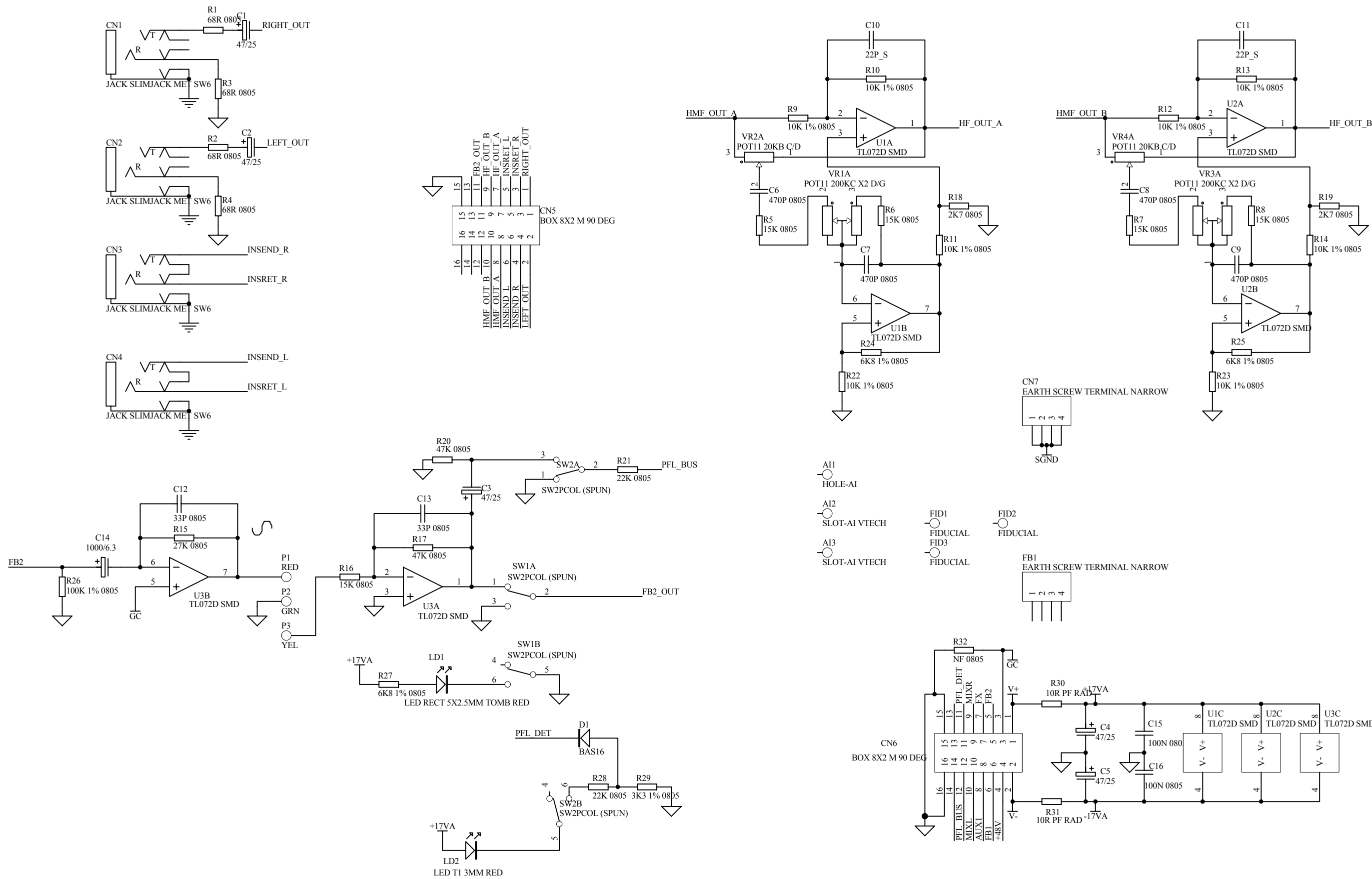
TITLE: PA SERIES FB2 PCB
PAGE:
DRG No: C4793      ISSUE: 1      SHEET: 1 OF 1



TOP OVERLAY

.GTO

Designator	Description
C1	CAPACITOR ELECTROLYTIC 47uF 25V (AF0208)
C2	CAPACITOR ELECTROLYTIC 47uF 25V (AF0208)
C3	CAPACITOR ELECTROLYTIC 47uF 25V (AF0208)
C4	CAPACITOR ELECTROLYTIC 47uF 25V (AF0208)
C5	CAPACITOR ELECTROLYTIC 47uF 25V (AF0208)
C6	CAPACITOR SMD 470P CERAMIC 0805 (AF2848)
C7	CAPACITOR SMD 470P CERAMIC 0805 (AF2848)
C8	CAPACITOR SMD 470P CERAMIC 0805 (AF2848)
C9	CAPACITOR SMD 470P CERAMIC 0805 (AF2848)
C10	CAPACITOR CERAMIC SMD0805 22P (AF2992)
C11	CAPACITOR CERAMIC SMD0805 22P (AF2992)
C12	CAPACITOR CERAMIC SMD0805 33P (AF4887)
C13	CAPACITOR CERAMIC SMD0805 33P (AF4887)
C14	CAPACITOR ELECTROLYTIC 100uF 6.3V (AF2984)
C15	CAPACITOR CERAMIC SMD0805 100N (AF2851)
C16	CAPACITOR CERAMIC SMD0805 100N (AF2851)
CN1	JACK SOCKET HORIZONTAL 6 PIN MET HEADPHONE (AL4713)
CN2	JACK SOCKET HORIZONTAL 6 PIN MET HEADPHONE (AL4713)
CN3	JACK SOCKET HORIZONTAL 6 PIN MET HEADPHONE (AL4713)
CN4	JACK SOCKET HORIZONTAL 6 PIN MET HEADPHONE (AL4713)
CN5	Connector IDC,Molex Type 0.1 Pitch 8x2 pins (AL4335)
CN6	Connector IDC,Molex Type 0.1 Pitch 8x2 pins (AL4335)
CN7	EARTH SCREW TERMINAL NARROW HORIZONTAL TYPE (AA9000)
D1	DIODE SIGNAL SMD BAS16 (AE3352)
LD1	LED RECT 5x2.5MM TOMBSTONE RED (AE4863)
LD2	LED T1 3mm RED (AE0086)
R1	RESISTOR CARBON SMD0805 68R 5% (AC4101)
R2	RESISTOR CARBON SMD0805 68R 5% (AC4101)
R3	RESISTOR CARBON SMD0805 68R 5% (AC4101)
R4	RESISTOR CARBON SMD0805 68R 5% (AC4101)
R5	RESISTOR CARBON SMD0805 15K 5% (AC3486)
R6	RESISTOR CARBON SMD0805 15K 5% (AC3486)
R7	RESISTOR CARBON SMD0805 15K 5% (AC3486)
R8	RESISTOR CARBON SMD0805 15K 5% (AC3486)
R9	RESISTOR METAL FILM SMD0805 10K 1% (AC2841)
R10	RESISTOR METAL FILM SMD0805 10K 1% (AC2841)
R11	RESISTOR METAL FILM SMD0805 10K 1% (AC2841)
R12	RESISTOR METAL FILM SMD0805 10K 1% (AC2841)
R13	RESISTOR METAL FILM SMD0805 10K 1% (AC2841)
R14	RESISTOR METAL FILM SMD0805 10K 1% (AC2841)
R15	RESISTOR CARBON SMD0805 27K 5% (AC4693)
R16	RESISTOR CARBON SMD0805 15K 5% (AC3486)
R17	RESISTOR CARBON SMD0805 47K 5% (AC3035)
R18	RESISTOR CARBON SMD0805 2K7 5% (AC4698)
R19	RESISTOR CARBON SMD0805 2K7 5% (AC4698)
R20	RESISTOR CARBON SMD0805 47K 5% (AC3035)
R21	RESISTOR CARBON SMD0805 22K 5% (AC3540)
R22	RESISTOR METAL FILM SMD0805 10K 1% (AC2841)
R23	RESISTOR METAL FILM SMD0805 10K 1% (AC2841)
R24	RESISTOR METAL FILM SMD0805 6K8 1% (AC3064)
R25	RESISTOR METAL FILM SMD0805 6K8 1% (AC3064)
R26	RESISTOR METAL FILM SMD0805 100K 1% (AC2843)
R27	RESISTOR METAL FILM SMD0805 6K8 1% (AC3064)
R28	RESISTOR CARBON SMD0805 22K 5% (AC3540)
R29	RESISTOR METAL FILM SMD0805 3K3 1% (AC3061)
R30	RESISTOR CARBON 10R PRE FORMED 1/4W 5% (AC0378)
R31	RESISTOR CARBON 10R PRE FORMED 1/4W 5% (AC0378)
SW1	SWITCH DPDT ALPS (SPUN) LATCHING (AL0162)
SW2	SWITCH DPDT ALPS (SPUN) LATCHING (AL0162)
U1	IC SMD DUAL OP-AMP TL072 (AE3335)
U2	IC SMD DUAL OP-AMP TL072 (AE3335)
U3	IC SMD DUAL OP-AMP TL072 (AE3335)
VR1	POT ALPS 11mm 200KC X2 DUAL GANG 204C (AI8005)
VR2	POT ALPS 11mm 20KB C/D 203B (AI8004)
VR3	POT ALPS 11mm 200KC X2 DUAL GANG 204C (AI8005)
VR4	POT ALPS 11mm 20KB C/D 203B (AI8004)



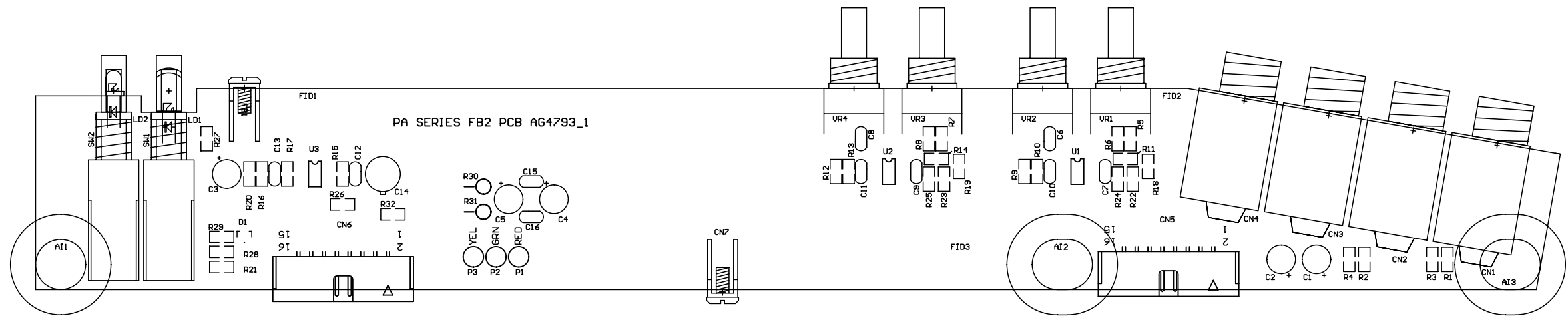
**ALLEN&HEATH**  
 Kernick Industrial Estate,  
 Penryn, Cornwall,  
 England. TR10 9LU  
 Tel: +44 (0)8707 556250  
 Fax: +44 (0)8707 556251

ISSUE	BY	DATE
A	JB	7/3/02
B	AAT	19-04-02
1	AAT	27-06-02
1.1	MG	7-7-03

ORIGIN	VR1B	VR2B	VR3B	VR4B
A	POT11 200KC X2 D/G	POT11 20KB C/D	POT11 200KC X2 D/G	POT11 20KB C/D
B	BRKT	BRKT	BRKT	BRKT
1				
1.1				

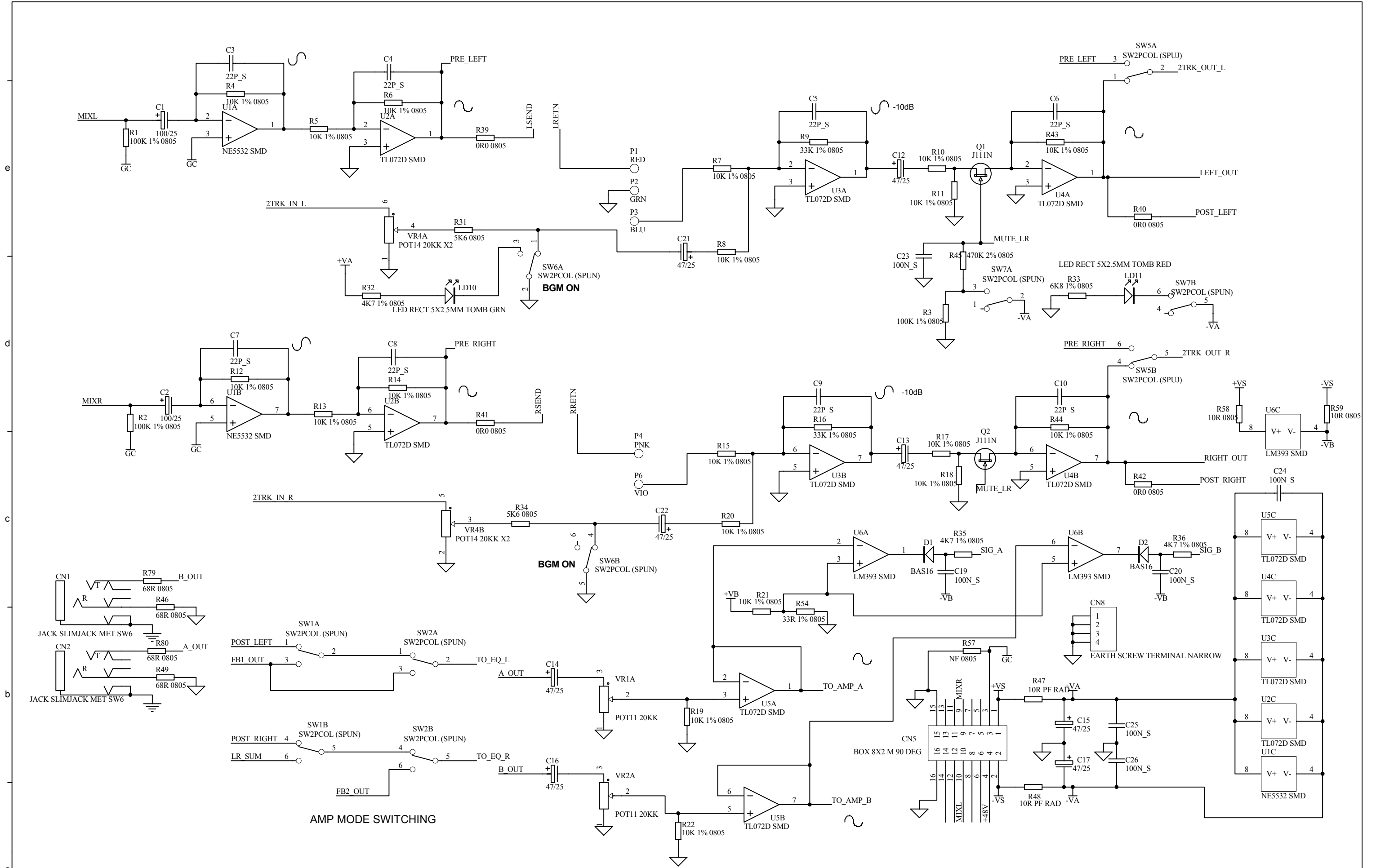
FILE: C4793\_1.1.Sch      PRINTED: 16:16:38      29-Jul-2003

TITLE: PA SERIES FB2 PCB
PAGE:
DRG No: C4793      ISSUE: 1.1      SHEET: 1 OF 1



TOP OVERLAY

.GTO



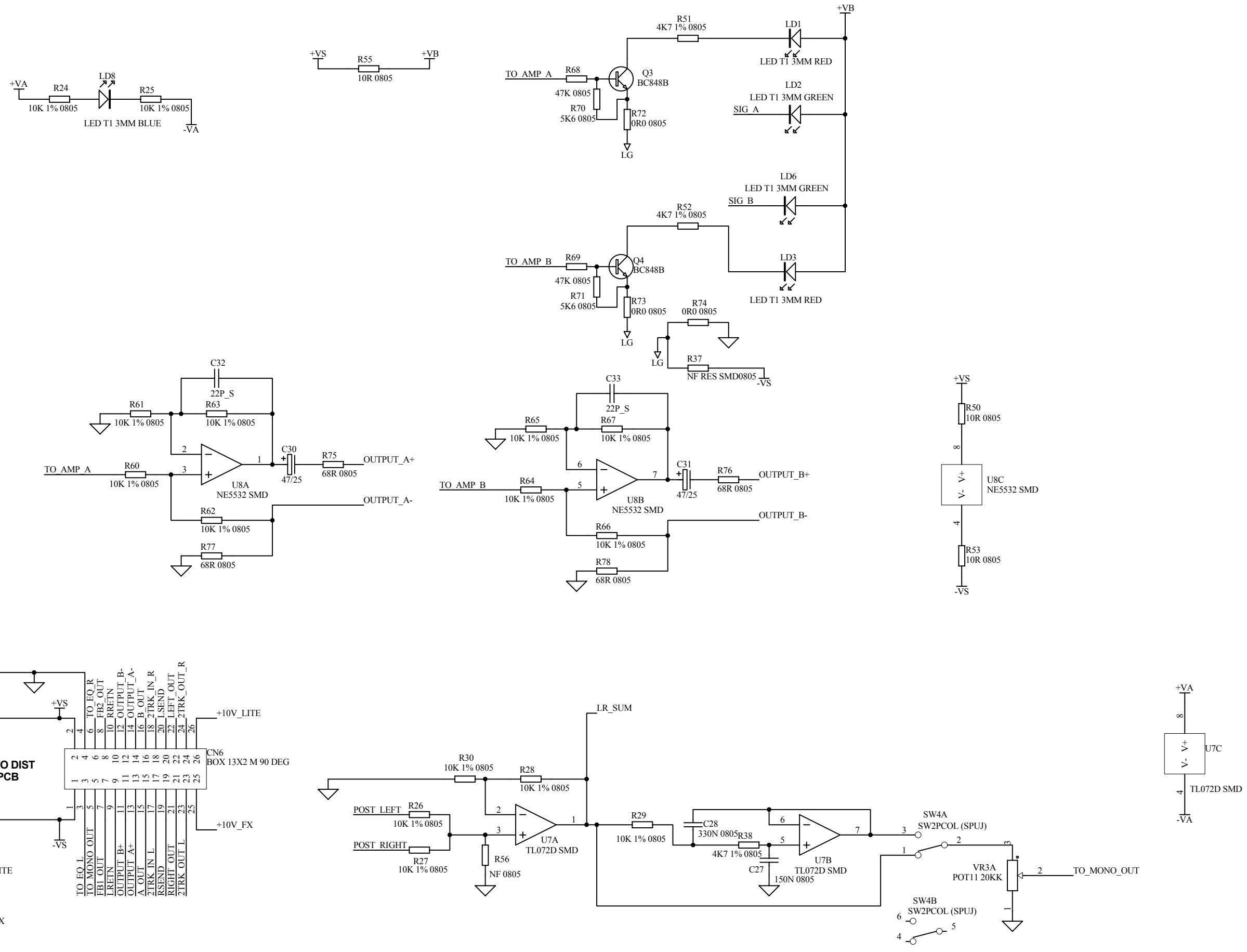
**ALLEN&HEATH**  
 Kernick Industrial Estate,  
 Penryn, Cornwall,  
 England. TR10 9LU  
 Tel: +44 (0)8707 556250  
 Fax: +44 (0)8707 556251

ISSUE	BY	DATE	VR1B	VR2B	VR4C
A	MG	29-11-02	POT11 20KK BRKT	POT11 20KK BRKT	POT14 20KK X2 BRKT
1	MG	20-12-02			

FILE: 5192\_1P1.Sch      PRINTED: 16:49:09 29-Jul-2003

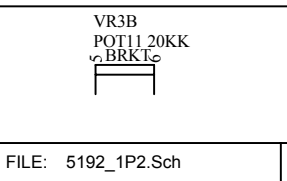
TITLE: PA (UNPOWERED) MASTER LR  
 PAGE:  
 DRG No: AG5192    ISSUE: 1    SHEET: 1 OF 2

- FID1  
FIDUCIAL
- FID2  
FIDUCIAL
- A11  
HOLE-A1 VTECH
- A12  
SLOT-A1 VTECH



**ALLEN&HEATH**  
 Kernick Industrial Estate,  
 Penryn, Cornwall,  
 England. TR10 9LU  
 Tel: +44 (0)8707 556250  
 Fax: +44 (0)8707 556251

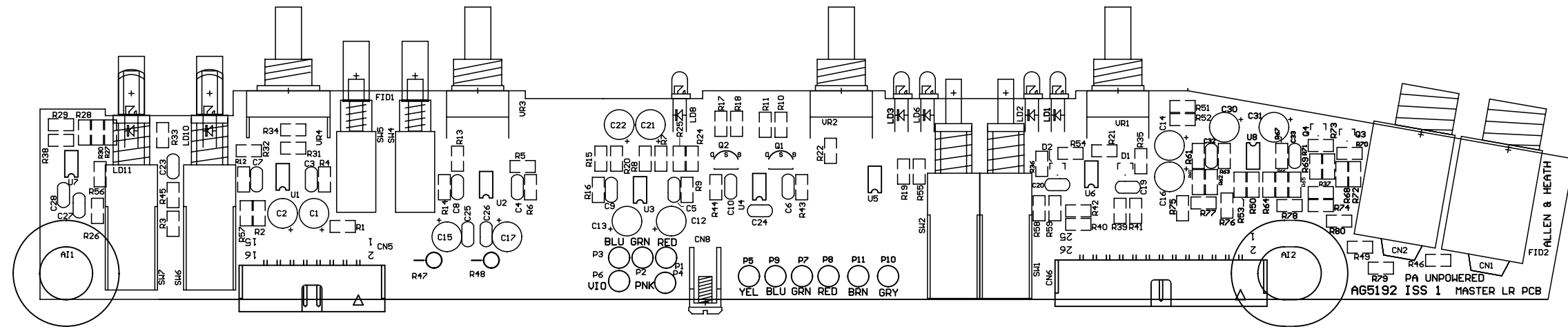
ISSUE	BY	DATE
A 1	MG MG	29-11-02 20-12-02



FILE: 5192\_1P2.Sch PRINTED: 16:49:10 29-Jul-2003

TITLE: PA (UNPOWERED) MASTER LR  
 PAGE:  
 DRG No: AG5192 ISSUE: 1 SHEET: 2 OF 2

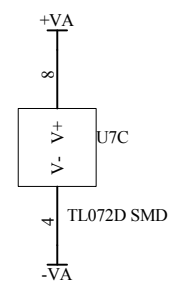
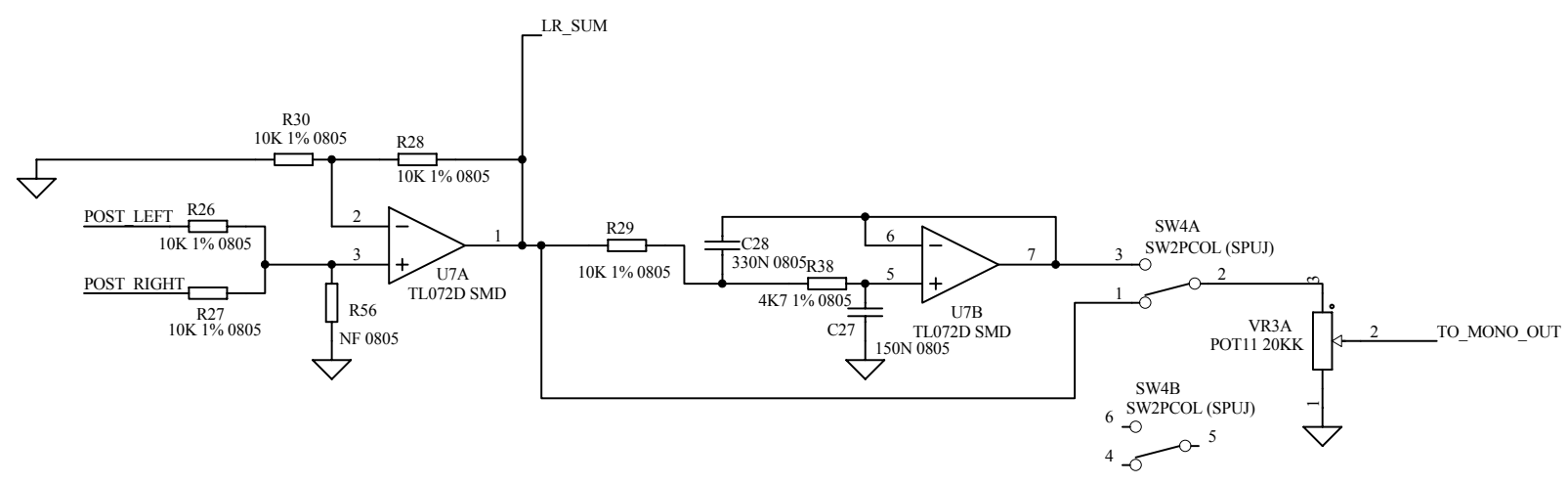
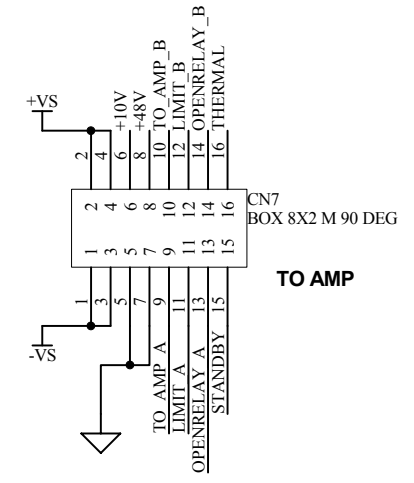
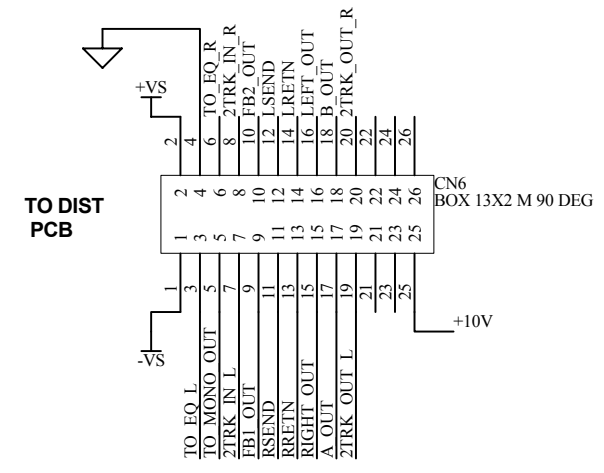
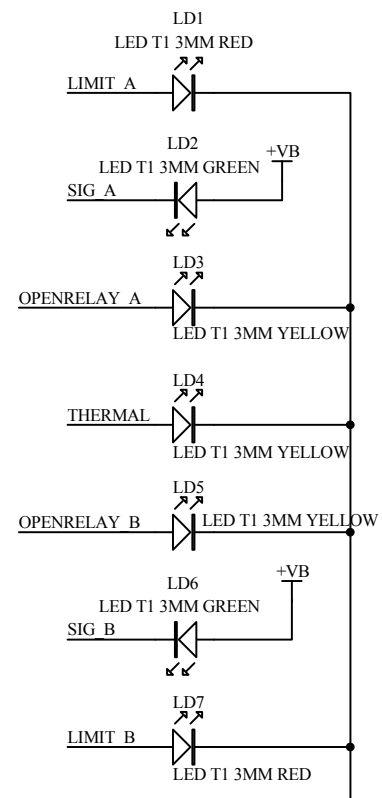
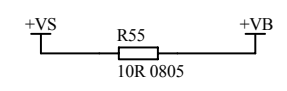
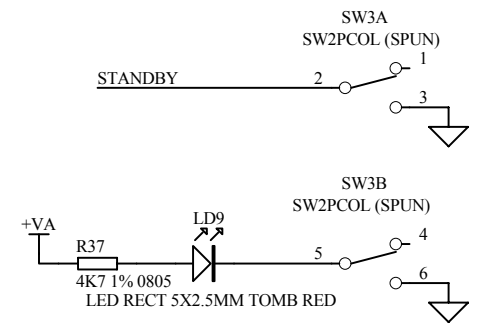
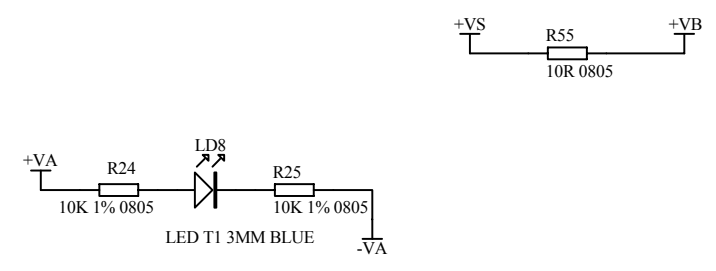
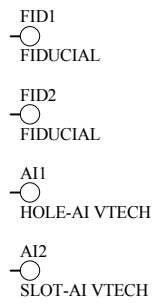
A MG 4-3-02 A  
 B MG 16-4-02



TOP OVERLAY

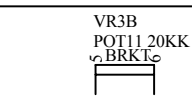
.GTO





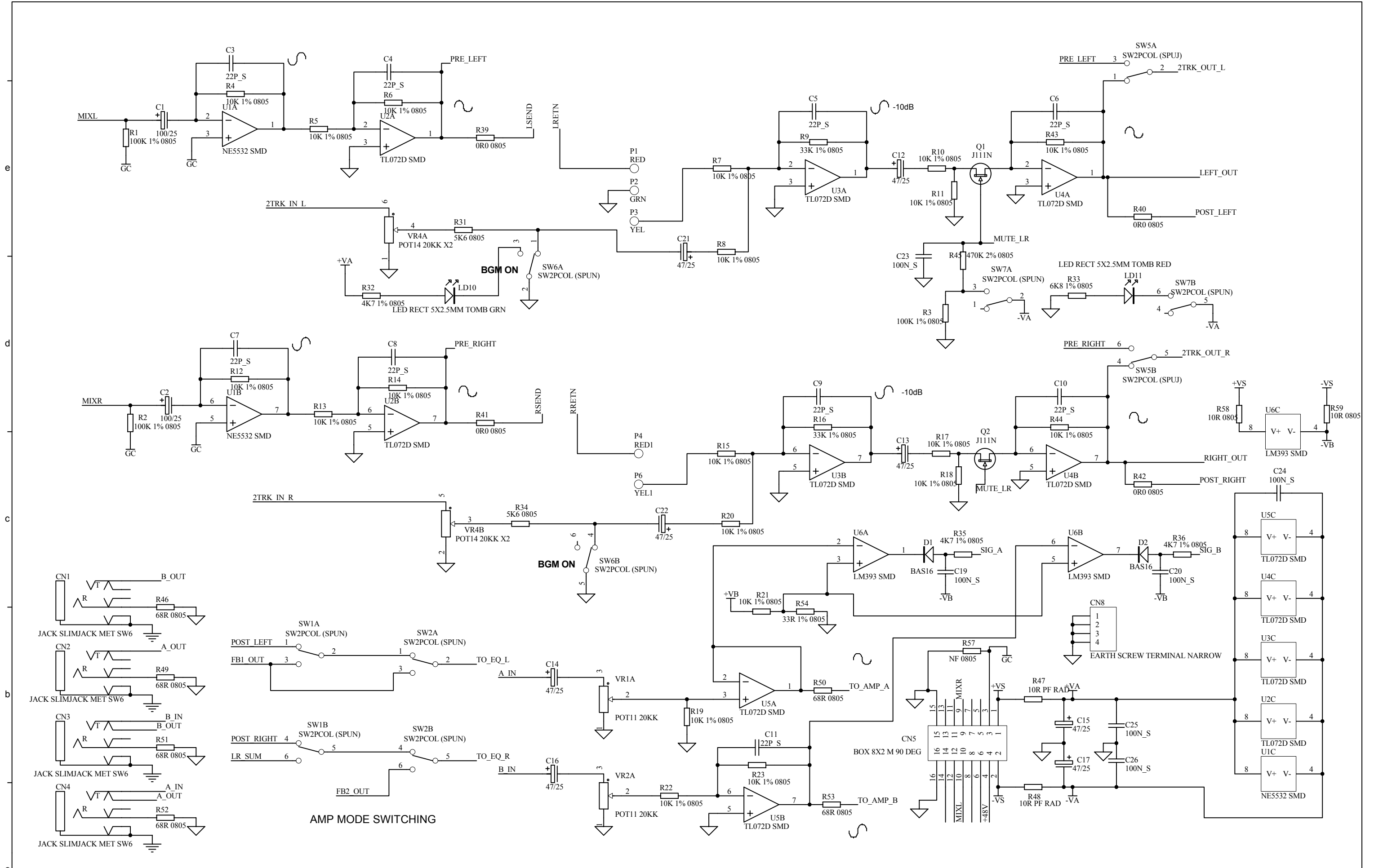
**ALLEN&HEATH**  
Kernick Industrial Estate,  
Penryn, Cornwall,  
England. TR10 9LU  
Tel: +44 (0)8707 556250  
Fax: +44 (0)8707 556251

ISSUE	BY	DATE
A	MG	04-03-02
B	MG	16-04-02
1	MG	23-07-02
2	MG	23-08-02
3	MG	16-09-02



FILE: 4794\_3P2.Sch PRINTED: 11:19:03 27-Mar-2003

TITLE: PMIX MASTRLR  
PAGE:  
DRG No: AG4794 ISSUE: 3 SHEET: 2 OF 3



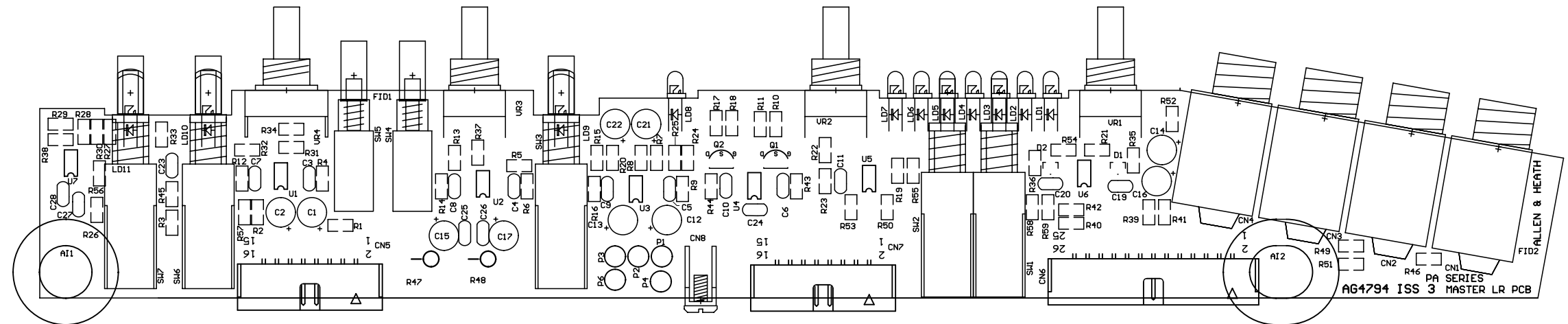
**ALLEN&HEATH**  
 Kernick Industrial Estate,  
 Penryn, Cornwall,  
 England. TR10 9LU  
 Tel: +44 (0)8707 556250  
 Fax: +44 (0)8707 556251

ISSUE	BY	DATE
A	MG	04-03-02
B	MG	16-04-02
1	MG	23-07-02
2	MG	23-08-02
3	MG	16-09-02

VR1B	VR2B	VR4C
POT11 20KK BRKT	POT11 20KK BRKT	POT14 20KK X2 BRKT

FILE: 4794\_3P1.Sch PRINTED: 11:19:03 27-Mar-2003

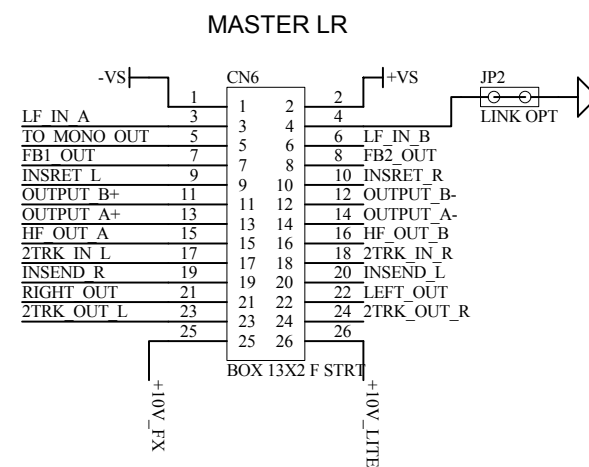
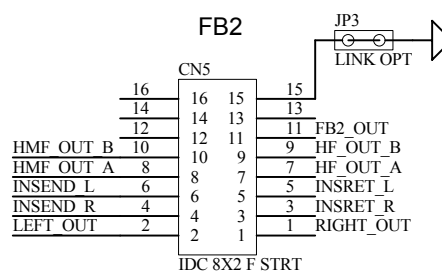
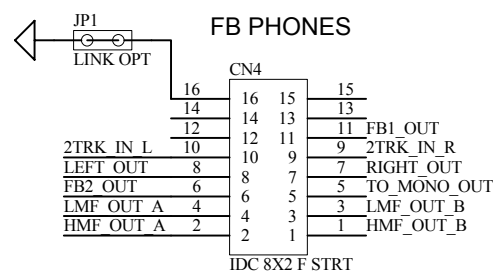
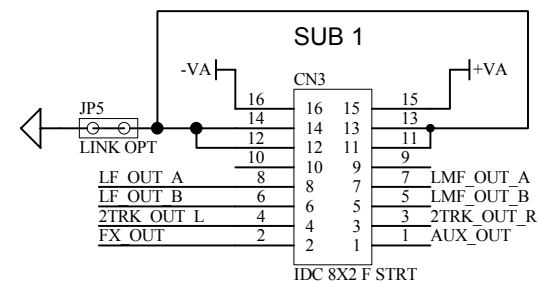
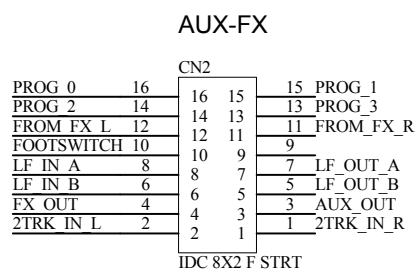
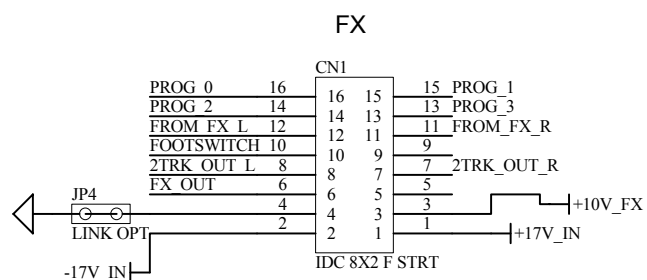
TITLE: **PMIX MASTRLR**  
 PAGE:  
 DRG No: **AG4794** ISSUE: **3** SHEET: **3 OF 3**



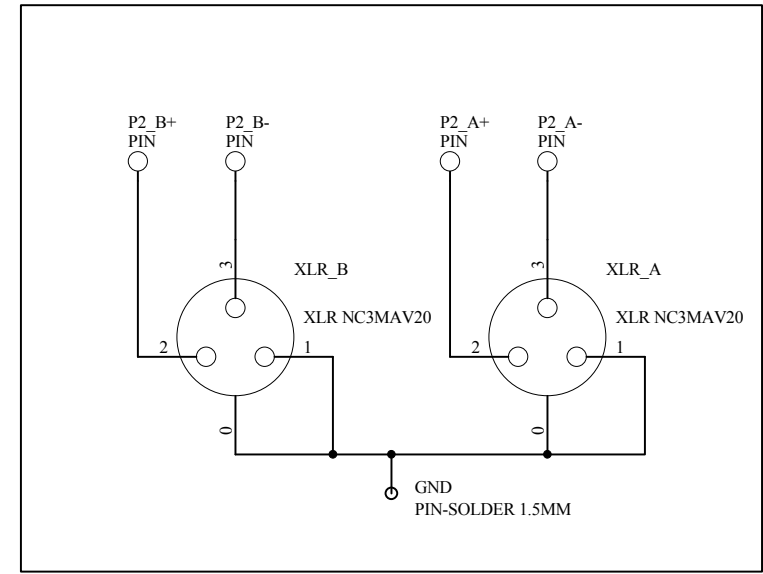
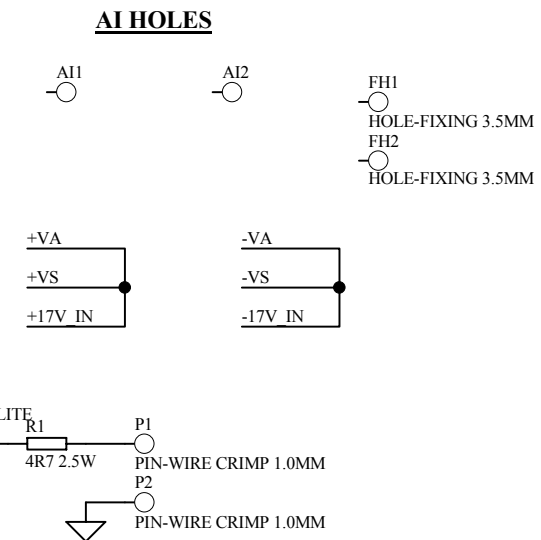
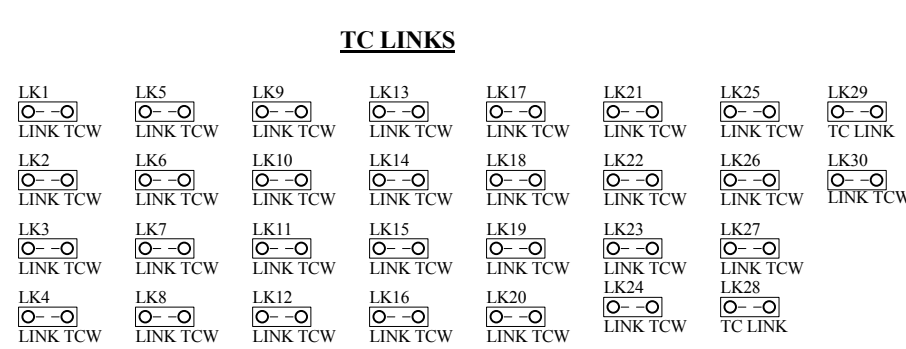
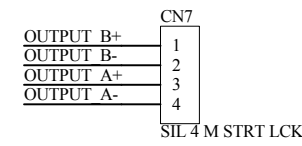
TOP OVERLAY

.GTO

Designator	Description	Designator	Description
C1	CAPACITOR ELECTROLYTIC 100MF 25V RADIAL (AF0221)	R39	RESISTOR CARBON SMD0805 0R0 5% (AC2838)
C2	CAPACITOR ELECTROLYTIC 100MF 25V RADIAL (AF0221)	R40	RESISTOR CARBON SMD0805 0R0 5% (AC2838)
C3	CAPACITOR CERAMIC SMD0805 22P (AF2992)	R41	RESISTOR CARBON SMD0805 0R0 5% (AC2838)
C4	CAPACITOR CERAMIC SMD0805 22P (AF2992)	R42	RESISTOR CARBON SMD0805 0R0 5% (AC2838)
C5	CAPACITOR CERAMIC SMD0805 22P (AF2992)	R43	RESISTOR METAL FILM SMD0805 10K 1% (AC2841)
C6	CAPACITOR CERAMIC SMD0805 22P (AF2992)	R44	RESISTOR METAL FILM SMD0805 10K 1% (AC2841)
C7	CAPACITOR CERAMIC SMD0805 22P (AF2992)	R45	RESISTOR METAL FILM SMD0805 470K 2% (AC2844)
C8	CAPACITOR CERAMIC SMD0805 22P (AF2992)	R46	RESISTOR CARBON SMD0805 68R 5% (AC4101)
C9	CAPACITOR CERAMIC SMD0805 22P (AF2992)	R47	RESISTOR CARBON 10R PRE FORMED 1/4W 5% (AC5077)
C10	CAPACITOR CERAMIC SMD0805 22P (AF2992)	R48	RESISTOR CARBON 10R PRE FORMED 1/4W 5% (AC5077)
C11	CAPACITOR CERAMIC SMD0805 22P (AF2992)	R49	RESISTOR CARBON SMD0805 68R 5% (AC4101)
C12	CAPACITOR ELECTROLYTIC 47uF 25V (AF0208)	R50	RESISTOR CARBON SMD0805 68R 5% (AC4101)
C13	CAPACITOR ELECTROLYTIC 47uF 25V (AF0208)	R51	RESISTOR CARBON SMD0805 68R 5% (AC4101)
C14	CAPACITOR ELECTROLYTIC 47uF 25V (AF0208)	R52	RESISTOR CARBON SMD0805 68R 5% (AC4101)
C15	CAPACITOR ELECTROLYTIC 47uF 25V (AF0208)	R53	RESISTOR CARBON SMD0805 68R 5% (AC4101)
C16	CAPACITOR ELECTROLYTIC 47uF 25V (AF0208)	R54	RESISTOR METAL FILM SMD0805 33R 1% (AC2839)
C17	CAPACITOR ELECTROLYTIC 47uF 25V (AF0208)	R55	RESISTOR CARBON SMD0805 10R 5% (AC3027)
C19	CAPACITOR CERAMIC SMD0805 100N (AF2851)	R58	RESISTOR CARBON SMD0805 10R 5% (AC3027)
C20	CAPACITOR CERAMIC SMD0805 100N (AF2851)	R59	RESISTOR CARBON SMD0805 10R 5% (AC3027)
C21	CAPACITOR ELECTROLYTIC 47uF 25V (AF0208)	SW1	SWITCH DPDT ALPS (SPUN) LATCHING (AL0162)
C22	CAPACITOR ELECTROLYTIC 47uF 25V (AF0208)	SW2	SWITCH DPDT ALPS (SPUN) LATCHING (AL0162)
C23	CAPACITOR CERAMIC SMD0805 100N (AF2851)	SW3	SWITCH DPDT ALPS (SPUN) LATCHING (AL0162)
C24	CAPACITOR CERAMIC SMD0805 100N (AF2851)	SW4	SWITCH DPDT ALPS (SPUJ) LATCHING (AL8065)
C25	CAPACITOR CERAMIC SMD0805 100N (AF2851)	SW5	SWITCH DPDT ALPS (SPUJ) LATCHING (AL8065)
C26	CAPACITOR CERAMIC SMD0805 100N (AF2851)	SW6	SWITCH DPDT ALPS (SPUN) LATCHING (AL0162)
C27	CAPACITOR SMD 150 NF 25V CERAMIC 0805 (AF4888)	SW7	SWITCH DPDT ALPS (SPUN) LATCHING (AL0162)
C28	CAPACITOR SMD 330 NF CERAMIC 0805 (AF5070)	U1	IC SMD NE5532 OP AMP (AE4699)
CN1	JACK SKT 1/4" ST PCB METAL (AL4713)	U2	IC SMD DUAL OP-AMP TL072 (AE3335)
CN2	JACK SKT 1/4" ST PCB METAL (AL4713)	U3	IC SMD DUAL OP-AMP TL072 (AE3335)
CN3	JACK SKT 1/4" ST PCB METAL (AL4713)	U4	IC SMD DUAL OP-AMP TL072 (AE3335)
CN4	JACK SKT 1/4" ST PCB METAL (AL4713)	U5	IC SMD DUAL OP-AMP TL072 (AE3335)
CN5	Connector IDC,Molex Type 0.1 Pitch 8x2 pins (AL4335)	U6	IC SMD LM393 (AE5068)
CN6	BOX HEADER 0.1" 26 WAY 90 DEG (AL3592)	U7	IC SMD DUAL OP-AMP TL072 (AE3335)
CN7	Connector IDC,Molex Type 0.1 Pitch 8x2 pins (AL4335)	VR1	POT ALPS 11mm 20KK 203K (AI8003)
CN8	EARTH SCREW TERMINAL NARROW HORIZONTAL TYPE (AA9000)	VR2	POT ALPS 11mm 20KK 203K (AI8003)
D1	DIODE SIGNAL SMD BAS16 (AE3352)	VR3	POT ALPS 11mm 20KK 203K (AI8003)
D2	DIODE SIGNAL SMD BAS16 (AE3352)	VR4	POT ALPS 14mm 20KK x2 203K (AI8007)
LD1	LED T1 3mm RED (AE0086)		
LD2	LED T1 3mm GREEN (AE0085)		
LD3	LED T1 3mm YELLOW (AE0084)		
LD4	LED T1 3mm YELLOW (AE0084)		
LD5	LED T1 3mm YELLOW (AE0084)		
LD6	LED T1 3mm GREEN (AE0085)		
LD7	LED T1 3mm RED (AE0086)		
LD8	LED T1 3mm BLUE (AE4041)		
LD9	LED RECTANGULAR RED 5 X 2.5 MM TOMBSTONE (AE4863)		
LD10	LED RECTANGULAR GREEN 5 X 2.5 MM TOMBSTONE (AE4864)		
LD11	LED RECTANGULAR RED 5 X 2.5 MM TOMBSTONE (AE4863)		
Q1	TRANSISTOR JFET N CHANNEL J111N (AE0083)		
Q2	TRANSISTOR JFET N CHANNEL J111N (AE0083)		
R1	RESISTOR METAL FILM SMD0805 100K 1% (AC2843)		
R2	RESISTOR METAL FILM SMD0805 100K 1% (AC2843)		
R3	RESISTOR METAL FILM SMD0805 100K 1% (AC2843)		
R4	RESISTOR METAL FILM SMD0805 10K 1% (AC2841)		
R5	RESISTOR METAL FILM SMD0805 10K 1% (AC2841)		
R6	RESISTOR METAL FILM SMD0805 10K 1% (AC2841)		
R7	RESISTOR METAL FILM SMD0805 10K 1% (AC2841)		
R8	RESISTOR METAL FILM SMD0805 10K 1% (AC2841)		
R9	RESISTOR METAL FILM SMD0805 33K 1% (AC3532)		
R10	RESISTOR METAL FILM SMD0805 10K 1% (AC2841)		
R11	RESISTOR METAL FILM SMD0805 10K 1% (AC2841)		
R12	RESISTOR METAL FILM SMD0805 10K 1% (AC2841)		
R13	RESISTOR METAL FILM SMD0805 10K 1% (AC2841)		
R14	RESISTOR METAL FILM SMD0805 10K 1% (AC2841)		
R15	RESISTOR METAL FILM SMD0805 10K 1% (AC2841)		
R16	RESISTOR METAL FILM SMD0805 33K 1% (AC3532)		
R17	RESISTOR METAL FILM SMD0805 10K 1% (AC2841)		
R18	RESISTOR METAL FILM SMD0805 10K 1% (AC2841)		
R19	RESISTOR METAL FILM SMD0805 10K 1% (AC2841)		
R20	RESISTOR METAL FILM SMD0805 10K 1% (AC2841)		
R21	RESISTOR METAL FILM SMD0805 10K 1% (AC2841)		
R22	RESISTOR METAL FILM SMD0805 10K 1% (AC2841)		
R23	RESISTOR METAL FILM SMD0805 10K 1% (AC2841)		
R24	RESISTOR METAL FILM SMD0805 10K 1% (AC2841)		
R25	RESISTOR METAL FILM SMD0805 10K 1% (AC2841)		
R26	RESISTOR METAL FILM SMD0805 10K 1% (AC2841)		
R27	RESISTOR METAL FILM SMD0805 10K 1% (AC2841)		
R28	RESISTOR METAL FILM SMD0805 10K 1% (AC2841)		
R29	RESISTOR METAL FILM SMD0805 10K 1% (AC2841)		
R30	RESISTOR METAL FILM SMD0805 10K 1% (AC2841)		
R31	RESISTOR SMD 5K6 5% 0805 (AC4106)		
R32	RESISTOR METAL FILM SMD0805 4K7 1% (AC3062)		
R33	RESISTOR SMD 6K8 1% 0805 (AC3064)		
R34	RESISTOR SMD 5K6 5% 0805 (AC4106)		
R35	RESISTOR METAL FILM SMD0805 4K7 1% (AC3062)		
R36	RESISTOR METAL FILM SMD0805 4K7 1% (AC3062)		
R37	RESISTOR METAL FILM SMD0805 4K7 1% (AC3062)		
R38	RESISTOR METAL FILM SMD0805 4K7 1% (AC3062)		



- OUTPUT B+ ○ P\_B+ PIN-SOLDER 1.2MM
- OUTPUT B- ○ P\_B- PIN-SOLDER 1.2MM
- OUTPUT A+ ○ P\_A+ PIN-SOLDER 1.2MM
- OUTPUT A- ○ P\_A- PIN-SOLDER 1.2MM



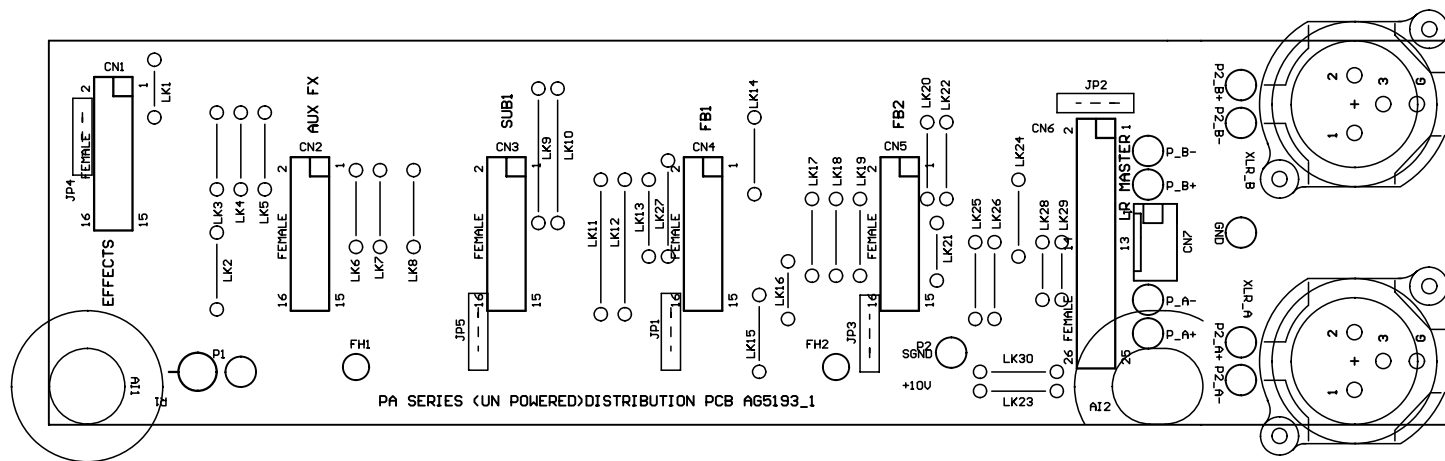
**ALLEN&HEATH**  
 Kernick Industrial Estate,  
 Penryn, Cornwall,  
 England. TR10 9LU  
 Tel: +44 (0)8707 556250  
 Fax: +44 (0)8707 556251

ISSUE	BY	DATE	CHK BY
A	MG	03-12-02	XXX
1	AAT	14-02-03	

FILE: C5193\_1.Sch

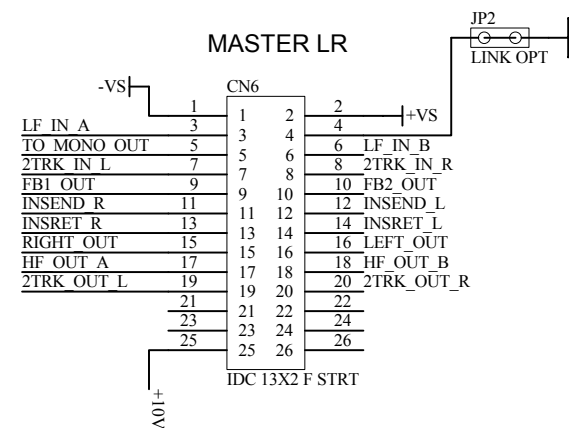
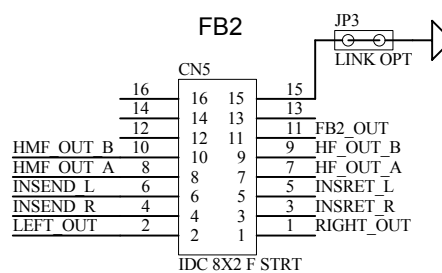
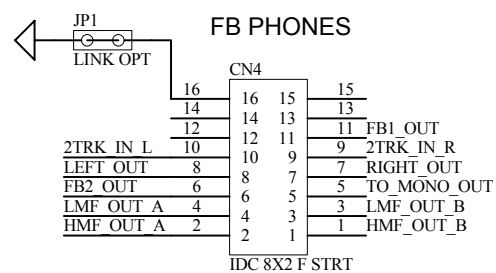
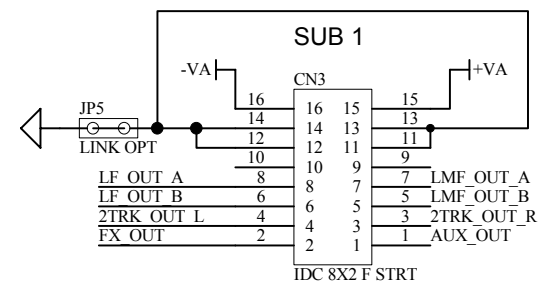
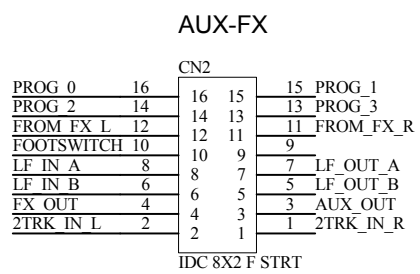
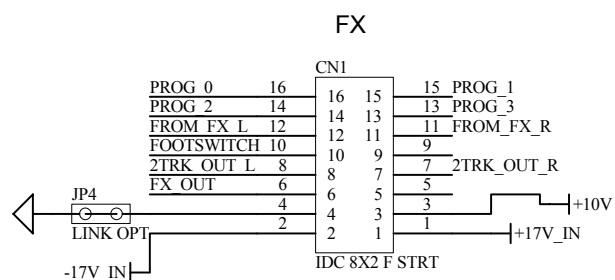
PRINTED: 16:55:19 29-Jul-2003

TITLE: PA Unpowered DISTRIBUTION  
 PAGE: PCB  
 DRG No: C5193 ISSUE: 1 SHEET: 1 OF 1

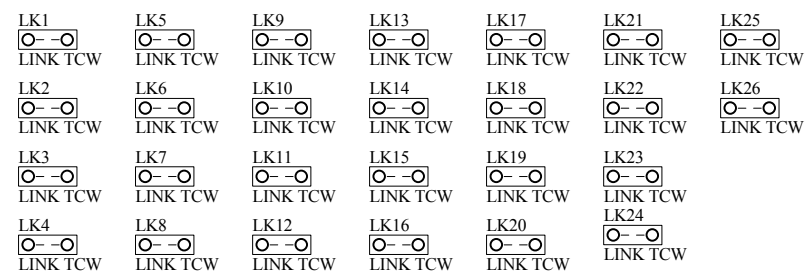


TOP OVERLAY

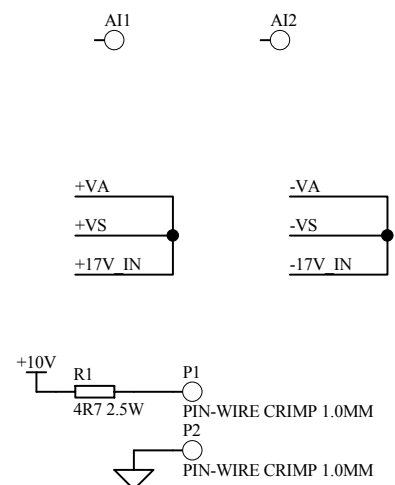
.GTO



**TC LINKS**



**AI HOLES**



**ALLEN&HEATH**

Kernick Industrial Estate,  
Penryn, Cornwall,  
England. TR10 9LU  
Tel: +44 (0)8707 556250  
Fax: +44 (0)8707 556251

ISSUE	BY	DATE
A	JB	03/05/02
B1	AAT	28-06-02
1	JB	23-07-02
2	AAT	12-09-02

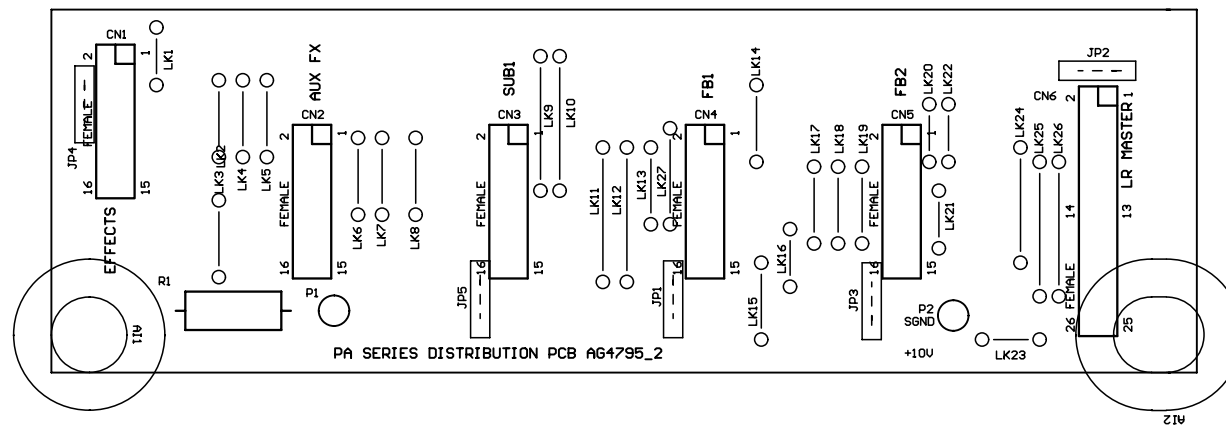
FILE: C4795\_2.Sch

PRINTED: 11:27:27 27-Mar-2003

TITLE: PA SERIES DISTRIBUTION  
PAGE: PCB

DRG No: C4795 ISSUE: 2 SHEET: 1 OF 1

003-041/1



TOP OVERLAY

.GTO



**Note:** Description includes Allen and Heath part number in brackets

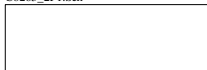
## PA-CP Distribution

issue 2

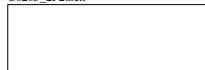
Designator	Description
CN1	Connector IDC,Molex Type 0.1 Pitch 8x2 pins Female Straight (AL3868)
CN2	Connector IDC,Molex Type 0.1 Pitch 8x2 pins Female Straight (AL3868)
CN3	Connector IDC,Molex Type 0.1 Pitch 8x2 pins Female Straight (AL3868)
CN4	Connector IDC,Molex Type 0.1 Pitch 8x2 pins Female Straight (AL3868)
CN5	Connector IDC,Molex Type 0.1 Pitch 8x2 pins Female Straight (AL3868)
CN6	Connector IDC,Molex Type 0.1 Pitch 13x2 PINS FEMALE STRAIGHT (AL5045)
JP1	TC WIRE LINK (AH0070)
JP2	TC WIRE LINK (AH0070)
JP3	TC WIRE LINK (AH0070)
JP4	TC WIRE LINK (AH0070)
JP5	TC WIRE LINK (AH0070)
LK1	TC WIRE LINK (AH0070)
LK2	TC WIRE LINK (AH0070)
LK3	TC WIRE LINK (AH0070)
LK4	TC WIRE LINK (AH0070)
LK5	TC WIRE LINK (AH0070)
LK6	TC WIRE LINK (AH0070)
LK7	TC WIRE LINK (AH0070)
LK8	TC WIRE LINK (AH0070)
LK9	TC WIRE LINK (AH0070)
LK10	TC WIRE LINK (AH0070)
LK11	TC WIRE LINK (AH0070)
LK12	TC WIRE LINK (AH0070)
LK13	TC WIRE LINK (AH0070)
LK14	TC WIRE LINK (AH0070)
LK15	TC WIRE LINK (AH0070)
LK16	TC WIRE LINK (AH0070)
LK17	TC WIRE LINK (AH0070)
LK18	TC WIRE LINK (AH0070)
LK19	TC WIRE LINK (AH0070)
LK20	TC WIRE LINK (AH0070)
LK21	TC WIRE LINK (AH0070)
LK22	TC WIRE LINK (AH0070)
LK23	TC WIRE LINK (AH0070)
LK24	TC WIRE LINK (AH0070)
LK25	TC WIRE LINK (AH0070)
LK26	TC WIRE LINK (AH0070)
LK27	TC WIRE LINK (AH0070)
R1	RESISTOR WIRE WOUND 4R7 2.5W (AC4779)

e  
d  
c  
b  
a

C6265\_2P1  
C6265\_2P1.Sch



C6265\_2P2  
C6265\_2P2.Sch



**ALLEN&HEATH**

Kernick Industrial Estate,  
Penryn, Cornwall  
England, TR10 9LU

Tel: +44 (0)8707 556250  
Fax: +44 (0)8707 556251

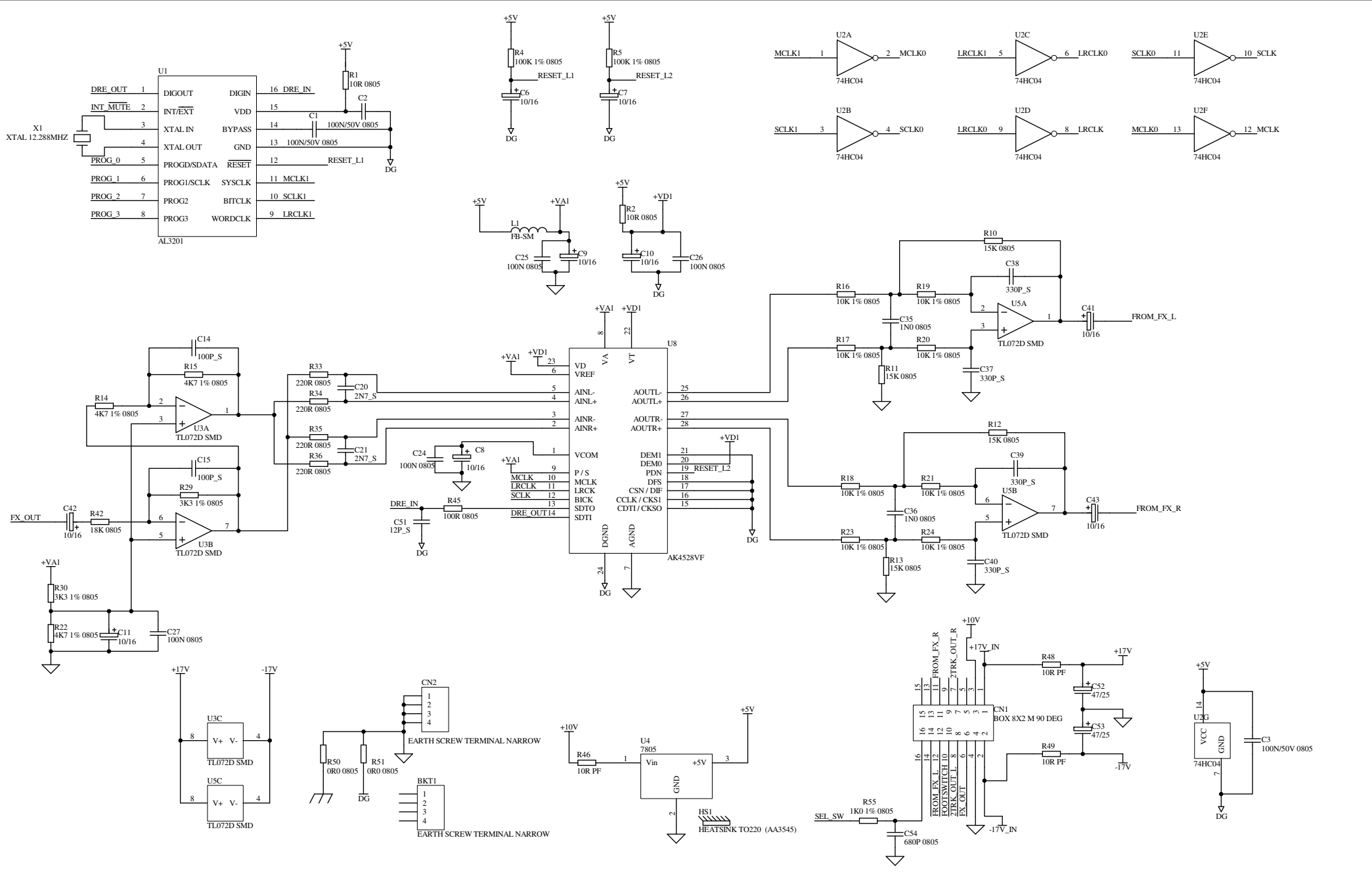
ISSUE	BY	DATE	CHK BY
A	GWR	18-03-05	Text
1	GWR	14-04-05	Text
2	GWR	16-05-05	Text

FILE: C6265_2.Sch		PRINTED: 14:20:44 16-Jun-2006	
-------------------	--	-------------------------------	--

TITLE: PA EFFECTS PCB (ALEXIS)
PAGE:
DRG No: C6265 ISSUE: 2 SHEET: 1 OF 3

A B C D E F G H





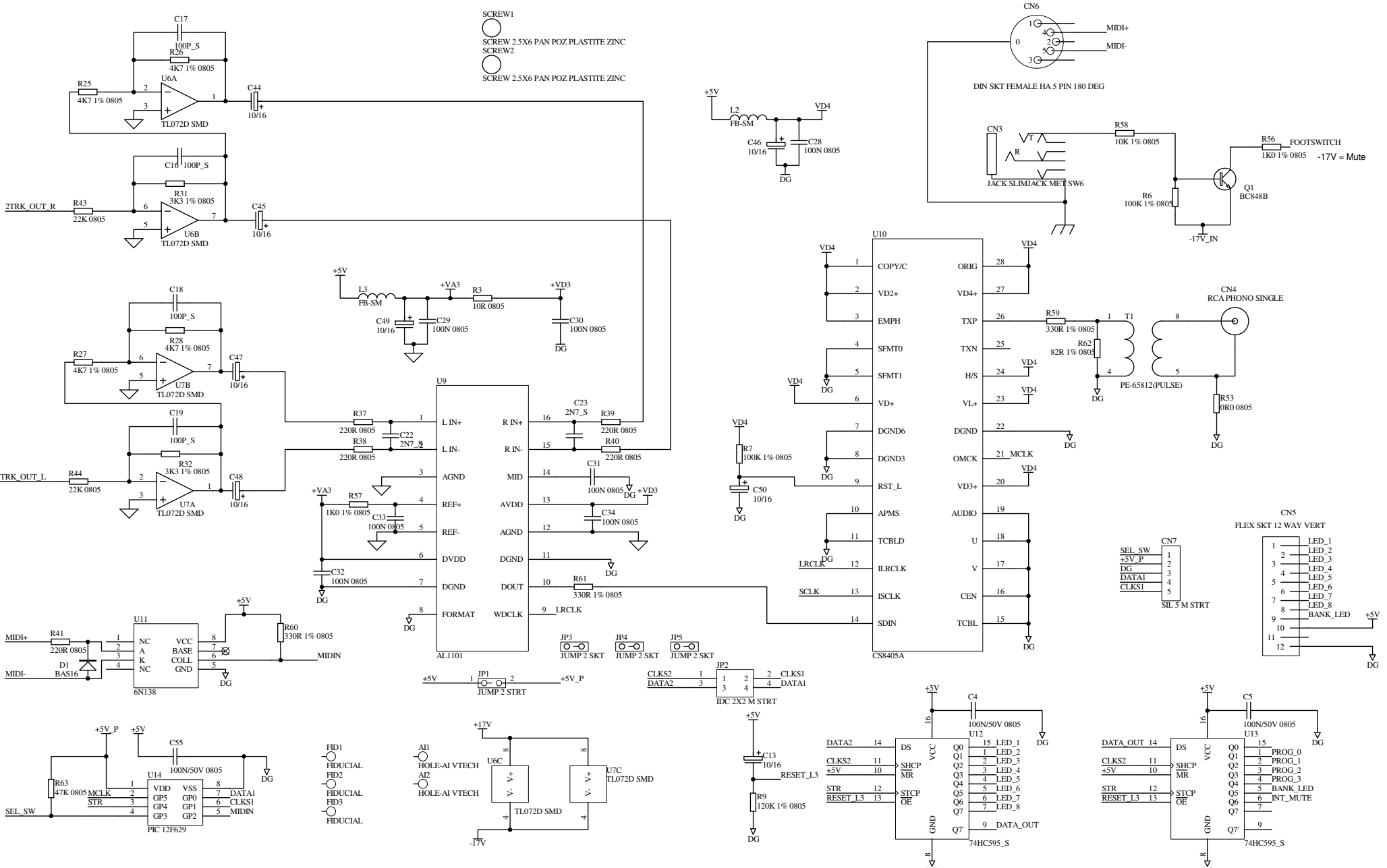
**ALLEN&HEATH**  
 Kernick Industrial Estate,  
 Penryn, Cornwall,  
 England. TR10 9LU  
 Tel: +44 (0)8707 556250  
 Fax: +44 (0)8707 556251

ISSUE	BY	DATE	CHK BY
A	GWR	18-03-05	Text
1	GWR	14-04-05	Text
2	GWR	16-05-05	Text

FILE: C6265\_2P1.Sch

PRINTED: 14:20:44 16-Jun-2006

TITLE: PA EFFECTS PCB (ALESIS)  
 PAGE:  
 DRG No: C6265 ISSUE: 2 SHEET: 2 OF 3

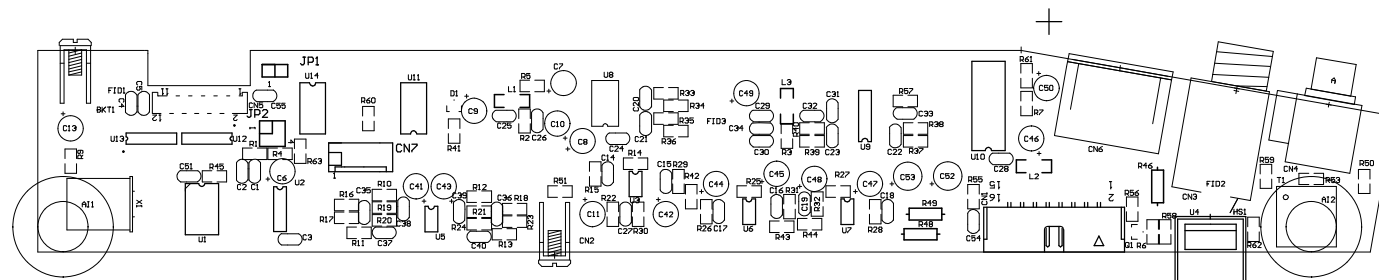


**ALLEN&HEATH**  
 Kernick Industrial Estate,  
 Penryn, Cornwall,  
 England, TR10 9LU  
 Tel: +44 (0)8707 556250  
 Fax: +44 (0)8707 556251

ISSUE	BY	DATE	CHK BY
A	GWR	18-03-05	Text
1	GWR	14-04-05	Text
2	GWR	16-05-05	Text

FILE: C6265_2P2.Sch	PRINTED: 14:20:44 16-Jun-2006
---------------------	-------------------------------

TITLE: **PA EFFECTS PCB (ALESIS)**  
 PAGE:  
 DRG No: C6265 ISSUE: 2 SHEET: 3 OF 3



**ALLEN & HEATH**

Kernick Industrial Estate,  
 Penryn, Cornwall,  
 England, TR10 3LU  
 Tel: +44 (0)8707 556250  
 Fax: +44 (0)8707 556251

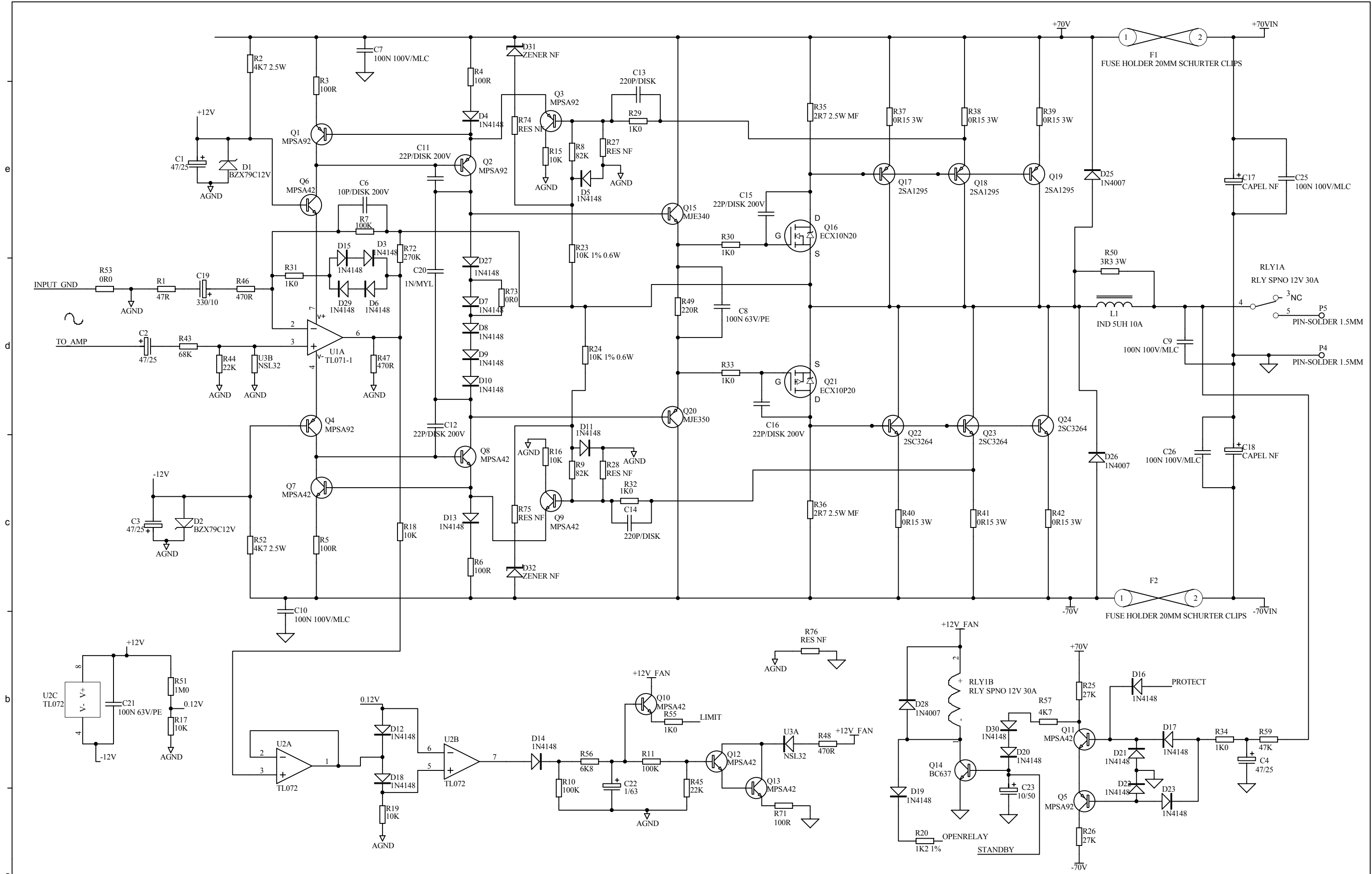
FILE: AG6265\_2.PCB

PRINTED: 14:22:19 16-Jun-2006

TITLE: PA SERIES EFFECTS PCB

DRG No: AG6265 ISSUE: 2





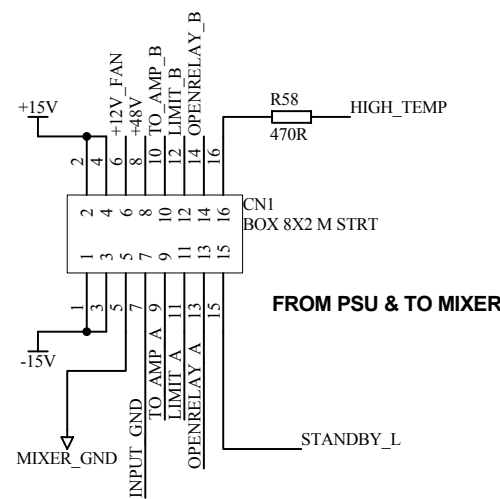
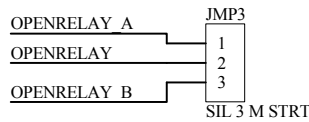
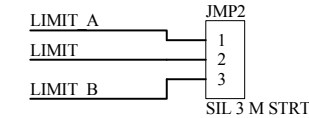
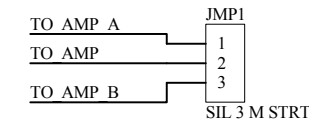
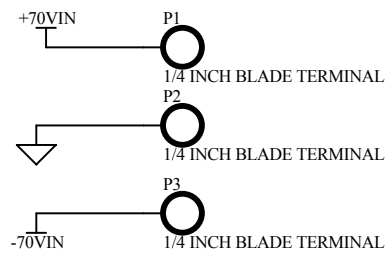
**ALLEN&HEATH**  
 Kernick Industrial Estate,  
 Penryn, Cornwall,  
 England. TR10 9LU  
 Tel: +44 (0)8707 556250  
 Fax: +44 (0)8707 556251

ISSUE	BY	DATE
A	MG	25-03-02
B	MG	25-04-02
2	MG	23-08-02
3	MG	12-09-02
4	MG	19-11-02

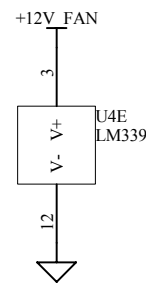
FILE: C4797\_4P1.Sch PRINTED: 11:52:48 27-Mar-2003

TITLE: CP1000 AMP A  
 PAGE:  
 DRG No: C4797 ISSUE: 4 SHEET: 2 OF 3

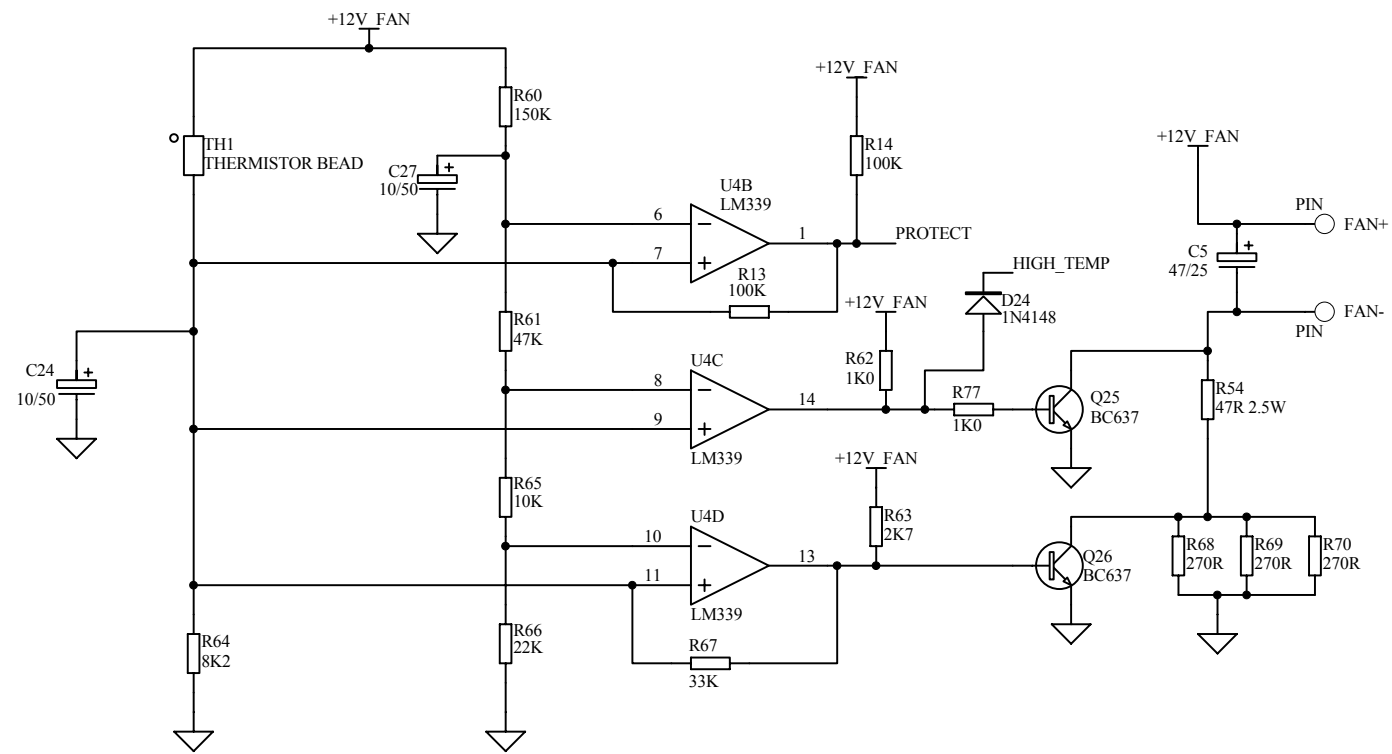
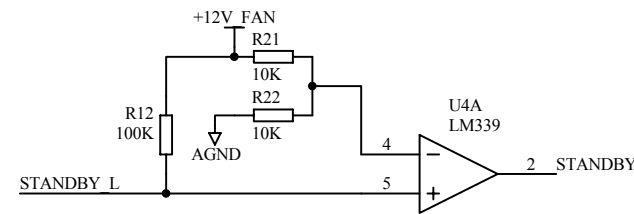
**WIRING FROM POWER SUPPLY**



**FROM PSU & TO MIXER**



**PULLS LOW (0V) TO OPEN RELAY**



- H1 HOLE-FIXING 3.5MM
- H2 HOLE-FIXING 3.5MM
- H3 HOLE-FIXING 3.5MM
- H4 HOLE-FIXING 3.5MM
- H5 HOLE-FIXING 3.5MM
- H6 HOLE-FIXING 3.5MM
- H7 HOLE-FIXING 3.5MM
- H8 HOLE-FIXING 3.5MM
- H9 HOLE-FIXING 3.5MM
- H10 HOLE-FIXING 3.5MM
- H11 HOLE-FIXING 3.5MM
- H12 Comment AI2
- H13 Comment AI3 HOLE-AI
- H14 HOLE-FIXING 3.5MM
- H15 HOLE-AI
- H16 HOLE-FIXING 3.5MM
- H18 HOLE-FIXING 3.5MM

- LK1 LINK TCW
- LK2 LINK TCW
- LK3 LINK TCW
- LK4 LINK TCW
- LK5 LINK TCW
- LK6 LINK TCW
- LK7 LINK TCW
- LK8 LINK TCW
- LK9 LINK TCW
- LK10 LINK TCW
- LK11 LINK TCW
- LK12 LINK TCW
- LK13 LINK TCW
- LK14 LINK TCW
- LK15 LINK TCW
- LK16 LINK TCW
- LK17 LINK TCW
- LK18 LINK TCW
- LK19 LINK TCW
- LK20 LINK TCW
- LK21 LINK TCW
- LK22 LINK TCW
- LK23 LINK TCW
- LK24 LINK TCW
- LK25 LINK TCW
- LK26 LINK TCW
- LK27 LINK TCW
- LK28 LINK TCW
- LK29 LINK TCW
- LK30 LINK TCW
- LK31 LINK TCW
- LK32 LINK TCW
- LK33 LINK TCW
- LK34 LINK TCW
- LK35 LINK TCW
- LK36 LINK TCW
- LK37 LINK TCW
- LK38 LINK TCW
- LK39 LINK TCW
- LK40 LINK TCW
- LK41 LINK TCW
- LK42 LINK TCW
- LK43 LINK TCW
- LK44 LINK TCW
- LK45 LINK TCW
- LK46 LINK TCW
- LK47 LINK TCW
- LK48 LINK TCW
- LK49 LINK TCW
- LK50 LINK TCW
- LK51 LINK TCW
- LK52 LINK TCW
- LK53 LINK TCW
- LK54 LINK TCW
- LK55 LINK TCW
- LK56 LINK TCW
- LK57 LINK TCW
- LK58 LINK TCW

**ALLEN&HEATH**

Kernick Industrial Estate,  
Penryn, Cornwall,  
England. TR10 9LU  
Tel: +44 (0)8707 556250  
Fax: +44 (0)8707 556251

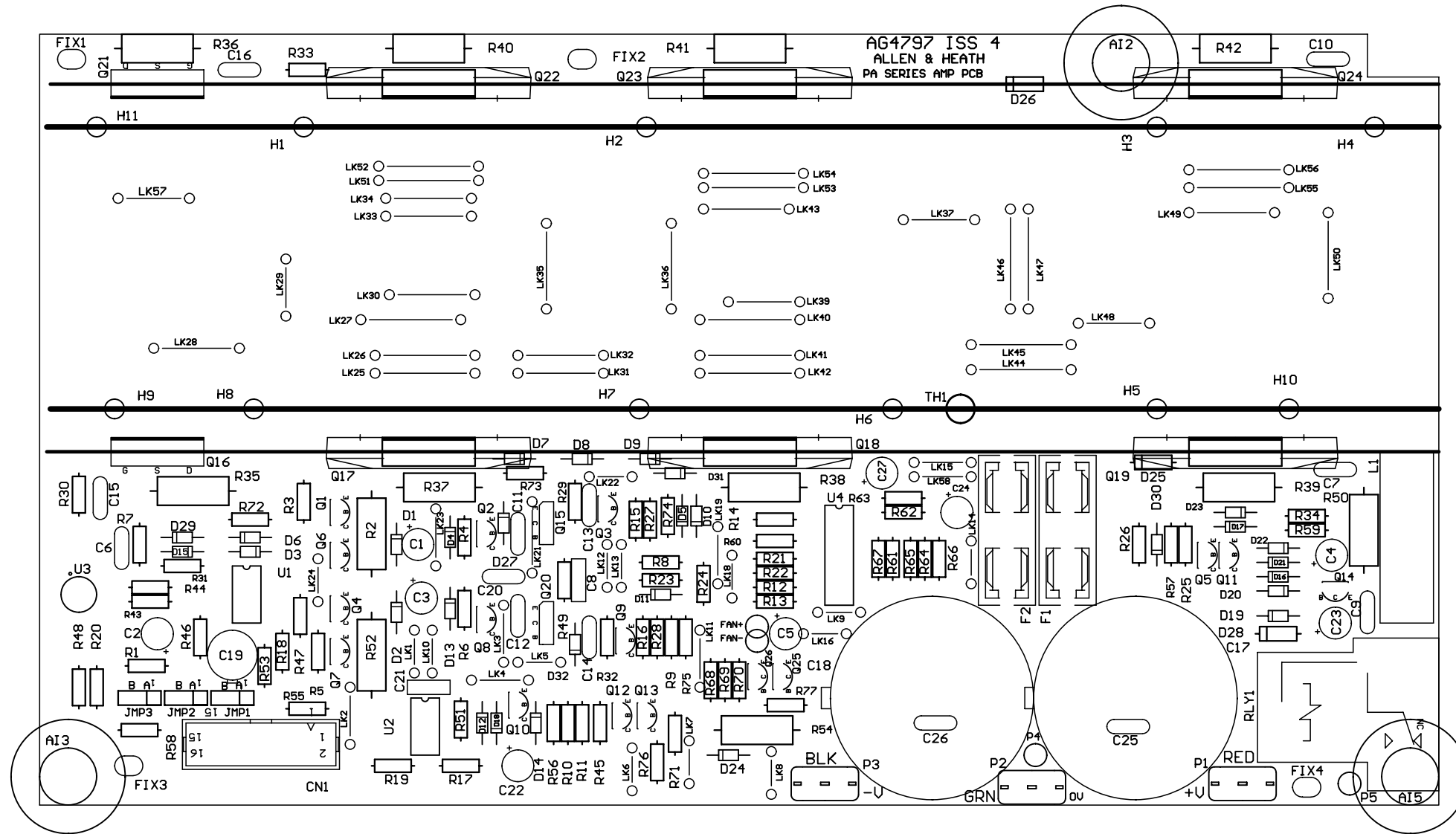
ISSUE	BY	DATE
A	MG	25-03-02
B	MG	25-04-02
2	MG	23-08-02
3	MG	12-09-02
4	MG	19-11-02

FILE: C4797\_4P2.Sch PRINTED: 11:52:48 27-Mar-2003

TITLE: CP1000 AMP A

PAGE:

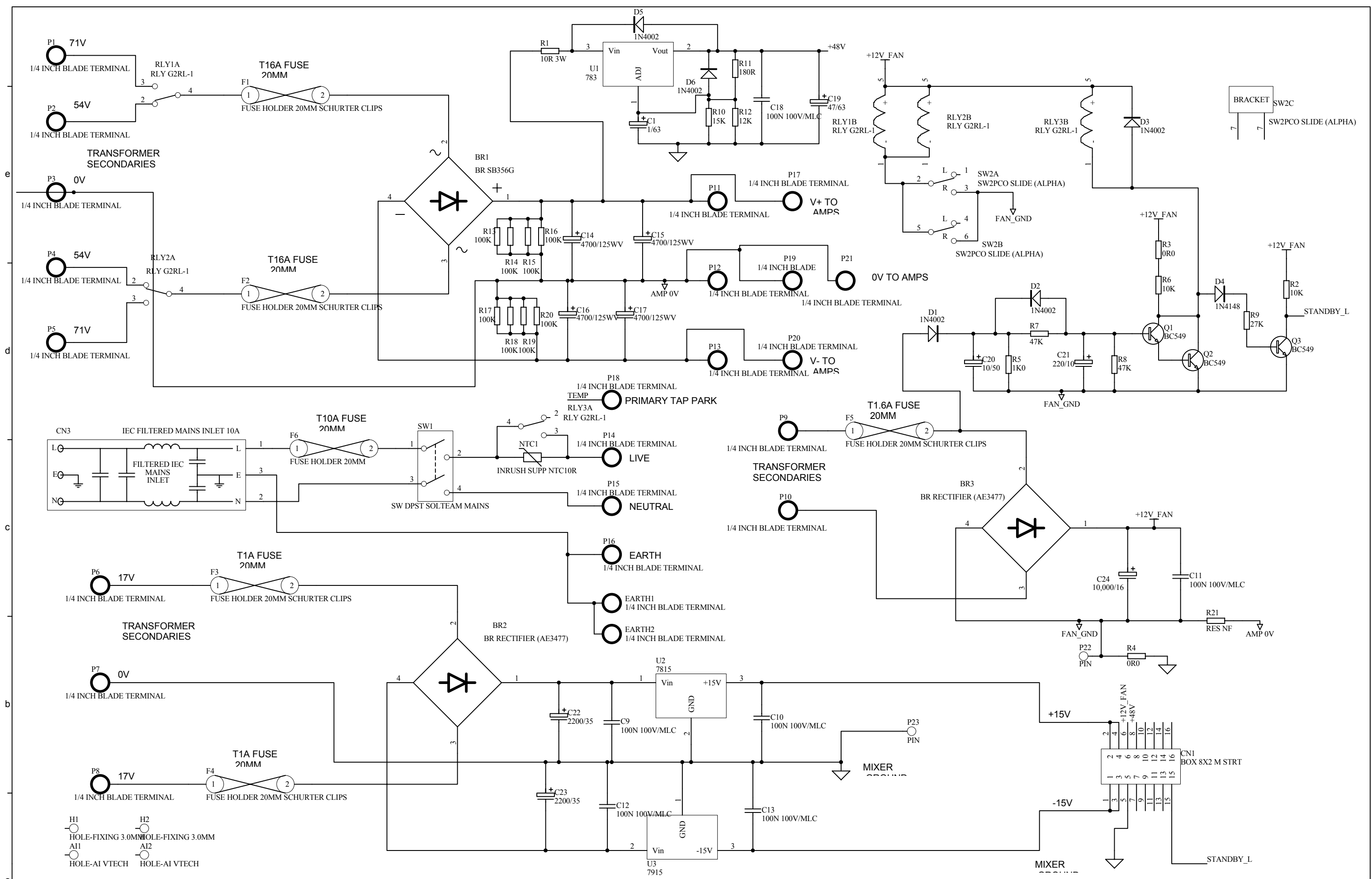
DRG No: C4797 ISSUE: 4 SHEET: 3 OF 3



TOP OVERLAY .GTO



Designator	Description	Designator	Description	Designator	Description
C1	CAPACITOR ELECTROLYTIC 47uF 25V (AF0208)	LK21	TC LINK (AH0070)	R23	RESISTOR METAL 10K 0.6W 1% (AC5121)
C2	CAPACITOR ELECTROLYTIC 47uF 25V (AF0208)	LK22	TC LINK (AH0070)	R24	RESISTOR METAL 10K 0.6W 1% (AC5121)
C3	CAPACITOR ELECTROLYTIC 47uF 25V (AF0208)	LK23	TC LINK (AH0070)	R25	RESISTOR CARBON 27K 1/4W 5% (AC0053)
C4	CAPACITOR ELECTROLYTIC 47uF 25V (AF0208)	LK24	TC LINK (AH0070)	R26	RESISTOR CARBON 27K 1/4W 5% (AC0053)
C5	CAPACITOR ELECTROLYTIC 47uF 25V (AF0208)	LK25	TC LINK (AH0070)	R29	RESISTOR CARBON 1K0 1/4W 5% (AC0031)
C6	CAPACITOR DISK 10 PF 200V (AF5076)	LK26	TC LINK (AH0070)	R30	RESISTOR CARBON 1K0 1/4W 5% (AC0031)
C7	CAPACITOR MULTILAYER CERAMIC 100NF 100V (AF2689)	LK27	TC LINK (AH0070)	R31	RESISTOR CARBON 1K0 1/4W 5% (AC0031)
C8	CAPACITOR POLYESTER 100NF 63V 10% (AF0571)	LK28	TC LINK (AH0070)	R32	RESISTOR CARBON 1K0 1/4W 5% (AC0031)
C9	CAPACITOR MULTILAYER CERAMIC 100NF 100V (AF2689)	LK29	TC LINK (AH0070)	R33	RESISTOR CARBON 1K0 1/4W 5% (AC0031)
C10	CAPACITOR MULTILAYER CERAMIC 100NF 100V (AF2689)	LK30	TC LINK (AH0070)	R34	RESISTOR CARBON 1K0 1/4W 5% (AC0031)
C11	CAPACITOR DISK 22PF 200V (AF5074)	LK31	TC LINK (AH0070)	R35	RESISTOR METAL FILM 2R7 2.5W 5% (AC5073)
C12	CAPACITOR DISK 22PF 200V (AF5074)	LK32	TC LINK (AH0070)	R36	RESISTOR METAL FILM 2R7 2.5W 5% (AC5073)
C13	CAPACITOR DISK CERAMIC 220PF 100V (AF8163)	LK33	TC LINK (AH0070)	R37	RESISTOR WIRE WOUND 0R15 3W (AC5122)
C14	CAPACITOR DISK CERAMIC 220PF 100V (AF8163)	LK34	TC LINK (AH0070)	R38	RESISTOR WIRE WOUND 0R15 3W (AC5122)
C15	CAPACITOR DISK 22PF 200V (AF5074)	LK35	TC LINK (AH0070)	R39	RESISTOR WIRE WOUND 0R15 3W (AC5122)
C16	CAPACITOR DISK 22PF 200V (AF5074)	LK36	TC LINK (AH0070)	R40	RESISTOR WIRE WOUND 0R15 3W (AC5122)
C19	CAPACITOR ELECTROLYTIC 330uF 10V (AF2288)	LK37	TC LINK (AH0070)	R41	RESISTOR WIRE WOUND 0R15 3W (AC5122)
C20	CAPACITOR MYLAR 1NF 100V 10% (AF0150)	LK39	TC LINK (AH0070)	R42	RESISTOR WIRE WOUND 0R15 3W (AC5122)
C21	CAPACITOR POLYESTER 100NF 63V 10% (AF0571)	LK40	TC LINK (AH0070)	R43	RESISTOR CARBON 68K 1/4W 5% (AC0062)
C22	CAPACITOR ELECTROLYTIC 1uF 63V (AF0210)	LK41	TC LINK (AH0070)	R44	RESISTOR CARBON 22K 1/4W 5% (AC0050)
C23	CAPACITOR ELECTROLYTIC 10uF 50V (AF0214)	LK42	TC LINK (AH0070)	R45	RESISTOR CARBON 22K 1/4W 5% (AC0050)
C24	CAPACITOR ELECTROLYTIC 10uF 50V (AF0214)	LK43	TC LINK (AH0070)	R46	RESISTOR CARBON 470R 1/4W 5% (AC0024)
C25	CAPACITOR MULTILAYER CERAMIC 100NF 100V (AF2689)	LK44	TC LINK (AH0070)	R47	RESISTOR CARBON 470R 1/4W 5% (AC0024)
C26	CAPACITOR MULTILAYER CERAMIC 100NF 100V (AF2689)	LK45	TC LINK (AH0070)	R48	RESISTOR CARBON 470R 1/4W 5% (AC0024)
C27	CAPACITOR ELECTROLYTIC 10uF 50V (AF0214)	LK46	TC LINK (AH0070)	R49	RESISTOR CARBON 220R 1/4W 5% (AC0018)
CN1	BOX HEADER 0.1" 16W STRAIGHT (AL0562)	LK47	TC LINK (AH0070)	R50	RESISTOR WIRE WOUND 3R3 3W 5% (AC2822)
D1	BZX79C12V 12V ZENER DIODE (AE0232)	LK48	TC LINK (AH0070)	R51	RESISTOR CARBON 1M0 1/4W 5% (AC0104)
D2	BZX79C12V 12V ZENER DIODE (AE0232)	LK49	TC LINK (AH0070)	R52	RESISTOR WIRE WOUND 4K7 2.5W 5% (AC5072)
D3	DIODE SIGNAL 1N4148 (AE0007)	LK50	TC LINK (AH0070)	R53	RESISTOR CARBON 0R0 1/4W 5% (AC0335)
D4	DIODE SIGNAL 1N4148 (AE0007)	LK51	TC LINK (AH0070)	R54	RESISTOR WIRE WOUND 47R 2.5W 5% (AC3527)
D5	DIODE SIGNAL 1N4148 (AE0007)	LK52	TC LINK (AH0070)	R55	RESISTOR CARBON 1K 1/4W 5% (AC0031)
D6	DIODE SIGNAL 1N4148 (AE0007)	LK53	TC LINK (AH0070)	R56	RESISTOR CARBON 6K8 1/4W 5% (AC0101)
D7	DIODE SIGNAL 1N4148 (AE0007)	LK54	TC LINK (AH0070)	R57	RESISTOR CARBON 4K7 1/4W 5% (AC0044)
D8	DIODE SIGNAL 1N4148 (AE0007)	LK55	TC LINK (AH0070)	R58	RESISTOR CARBON 470R 1/4W 5% (AC0024)
D9	DIODE SIGNAL 1N4148 (AE0007)	LK56	TC LINK (AH0070)	R59	RESISTOR CARBON 47K 1/4W 5% (AC0057)
D10	DIODE SIGNAL 1N4148 (AE0007)	LK57	TC LINK (AH0070)	R60	RESISTOR CARBON 150K 1/4W 5% (AC0068)
D11	DIODE SIGNAL 1N4148 (AE0007)	LK58	TC LINK (AH0070)	R61	RESISTOR CARBON 47K 1/4W 5% (AC0057)
D12	DIODE SIGNAL 1N4148 (AE0007)	P1	1/4 INCH BLADE TERMINAL (AL0392)	R62	RESISTOR CARBON 1K0 1/4W 5% (AC0031)
D13	DIODE SIGNAL 1N4148 (AE0007)	P2	1/4 INCH BLADE TERMINAL (AL0392)	R63	RESISTOR CARBON XK 1/4W 5% (AC0091)
D14	DIODE SIGNAL 1N4148 (AE0007)	P3	1/4 INCH BLADE TERMINAL (AL0392)	R64	RESISTOR CARBON 8K2 1/4W 5% (AC0045)
D15	DIODE SIGNAL 1N4148 (AE0007)	Q1	TRANSISTOR PNP MPSA92 (AE8119)	R65	RESISTOR CARBON 10K 1/4W 5% (AC0046)
D16	DIODE SIGNAL 1N4148 (AE0007)	Q2	TRANSISTOR PNP MPSA92 (AE8119)	R66	RESISTOR CARBON 22K 1/4W 5% (AC0050)
D17	DIODE SIGNAL 1N4148 (AE0007)	Q3	TRANSISTOR PNP MPSA92 (AE8119)	R67	RESISTOR CARBON 33K 1/4W 5% (AC0054)
D18	DIODE SIGNAL 1N4148 (AE0007)	Q4	TRANSISTOR PNP MPSA92 (AE8119)	R68	RESISTOR PNP CARBON 270R 1/4W 5% (AC0020)
D19	DIODE SIGNAL 1N4148 (AE0007)	Q5	TRANSISTOR PNP MPSA92 (AE8119)	R69	RESISTOR CARBON 270R 1/4W 5% (AC0020)
D20	DIODE SIGNAL 1N4148 (AE0007)	Q6	TRANSISTOR NPN MPSA42 (AE8138)	R70	RESISTOR CARBON 270R 1/4W 5% (AC0020)
D21	DIODE SIGNAL 1N4148 (AE0007)	Q7	TRANSISTOR NPN MPSA42 (AE8138)	R71	RESISTOR CARBON 100R 1/4W 5% (AC0008)
D22	DIODE SIGNAL 1N4148 (AE0007)	Q8	TRANSISTOR NPN MPSA42 (AE8138)	R72	RESISTOR CARBON 270K 1/4W 5% (AC0074)
D23	DIODE SIGNAL 1N4148 (AE0007)	Q9	TRANSISTOR NPN MPSA42 (AE8138)	R73	RESISTOR CARBON 0R0 1/4W 5% (AC0335)
D24	DIODE SIGNAL 1N4148 (AE0007)	Q10	TRANSISTOR NPN MPSA42 (AE8138)	R77	RESISTOR CARBON 1K0 1/4W 5% (AC0031)
D25	DIODE IN4007 1A 1000V (AE5075)	Q11	TRANSISTOR NPN MPSA42 (AE8138)	RLY1	RELAY SPNO 12V 30A (AM5128)
D26	DIODE IN4007 1A 1000V (AE5075)	Q12	TRANSISTOR NPN MPSA42 (AE8138)	RLY1	RELAY COVER (AM8141)
D27	DIODE SIGNAL 1N4148 (AE0007)	Q13	TRANSISTOR NPN MPSA42 (AE8138)	TH1	THERMISTOR 100K (AE3499)
D28	DIODE IN4007 1A 1000V (AE5075)	Q14	TRANSISTOR NPN BC637 (AE0068)	U1	IC TL071 OP-AMP (AE0045)
D29	DIODE SIGNAL 1N4148 (AE0007)	Q15	TRANSISTOR NPN POWER MJE340 (AE8155)	U2	IC TL072 OP-AMP (AE0046)
D30	DIODE SIGNAL 1N4148 (AE0007)	Q16	TRANSISTOR MOSFET N CHANNEL ECX10N20 (AE4883)	U3	OPTO COUPLER (LDR) NSL32 (AE4377)
F1	FUSE CLIP SHURTER (AL8134)	Q17	TRANSISTOR 2SA1295 PNP POWER (AE5119)	U4	IC LM339 COMPARATOR (AE0071)
F1	FUSE CLIP SHURTER (AL8134)	Q18	TRANSISTOR 2SA1295 PNP POWER (AE5119)	HEATSINK	HEATSINK (AA4854)
F1	FUSE COVER SCHURTER (AL8139)	Q19	TRANSISTOR 2SA1295 PNP POWER (AE5119)		INSUL PAD TDA7294 IC SELF ADHESIVE (AA3645)
F1	FUSE 20 MM 10A 250V A/SURGE (AL3455)	Q20	TRANSISTOR PNP POWER MJE350 (AE8156)		FAN 60X60 12V (AM4959)
	Manufacturer: Schurter Part number: 0034.3127	Q21	TRANSISTOR MOSFET P CHANNEL ECX10P20 (AE4884)		
F2	FUSE CLIP SHURTER (AL8134)	Q22	TRANSISTOR 2SC3264 NPN POWER (AE5120)		
F2	FUSE CLIP SHURTER (AL8134)	Q23	TRANSISTOR 2SC3264 NPN POWER (AE5120)		
F2	FUSE COVER SCHURTER (AL8139)	Q24	TRANSISTOR 2SC3264 NPN POWER (AE5120)		
F2	FUSE 20 MM 10A 250V A/SURGE (AL3455)	Q25	TRANSISTOR NPN BC637 (AE0068)		
	Manufacturer: Schurter Part number: 0034.3127	Q26	TRANSISTOR NPN BC637 (AE0068)		
JMP1	MOLEX 0.1" MALE 3 PIN STRAIGHT (AL0320)	R1	RESISTOR CARBON 47R 1/4W 5% (AC0333)		
JMP2	MOLEX 0.1" MALE 3 PIN STRAIGHT (AL0320)	R2	RESISTOR WIRE WOUND 4K7 2.5W 5% (AC5072)		
JMP3	MOLEX 0.1" MALE 3 PIN STRAIGHT (AL0320)	R3	RESISTOR CARBON 100R 1/4W 5% (AC0008)		
L1	INDUCTOR 5UH 10A WE-SD (AM4882)	R4	RESISTOR CARBON 100R 1/4W 5% (AC0008)		
LK1	TC LINK (AH0070)	R5	RESISTOR CARBON 100R 1/4W 5% (AC0008)		
LK2	TC LINK (AH0070)	R6	RESISTOR CARBON 100R 1/4W 5% (AC0008)		
LK3	TC LINK (AH0070)	R7	RESISTOR CARBON 100K 1/4W 5% (AC0064)		
LK4	TC LINK (AH0070)	R8	RESISTOR CARBON 82K 1/4W 5% (AC0063)		
LK5	TC LINK (AH0070)	R9	RESISTOR CARBON 82K 1/4W 5% (AC0063)		
LK6	TC LINK (AH0070)	R10	RESISTOR CARBON 100K 1/4W 5% (AC0064)		
LK7	TC LINK (AH0070)	R11	RESISTOR CARBON 100K 1/4W 5% (AC0064)		
LK8	TC LINK (AH0070)	R12	RESISTOR CARBON 100K 1/4W 5% (AC0064)		
LK9	TC LINK (AH0070)	R13	RESISTOR CARBON 100K 1/4W 5% (AC0064)		
LK10	TC LINK (AH0070)	R14	RESISTOR CARBON 100K 1/4W 5% (AC0064)		
LK11	TC LINK (AH0070)	R15	RESISTOR CARBON 10K 1/4W 5% (AC0046)		
LK12	TC LINK (AH0070)	R16	RESISTOR CARBON 10K 1/4W 5% (AC0046)		
LK13	TC LINK (AH0070)	R17	RESISTOR CARBON 10K 1/4W 5% (AC0046)		
LK14	TC LINK (AH0070)	R18	RESISTOR CARBON 10K 1/4W 5% (AC0046)		
LK15	TC LINK (AH0070)	R19	RESISTOR CARBON 10K 1/4W 5% (AC0046)		
LK16	TC LINK (AH0070)	R20	RESISTOR METAL 1K2 1/4W 1% (AC0036)		
LK18	TC LINK (AH0070)	R21	RESISTOR CARBON 10K 1/4W 5% (AC0046)		
LK19	TC LINK (AH0070)	R22	RESISTOR CARBON 10K 1/4W 5% (AC0046)		



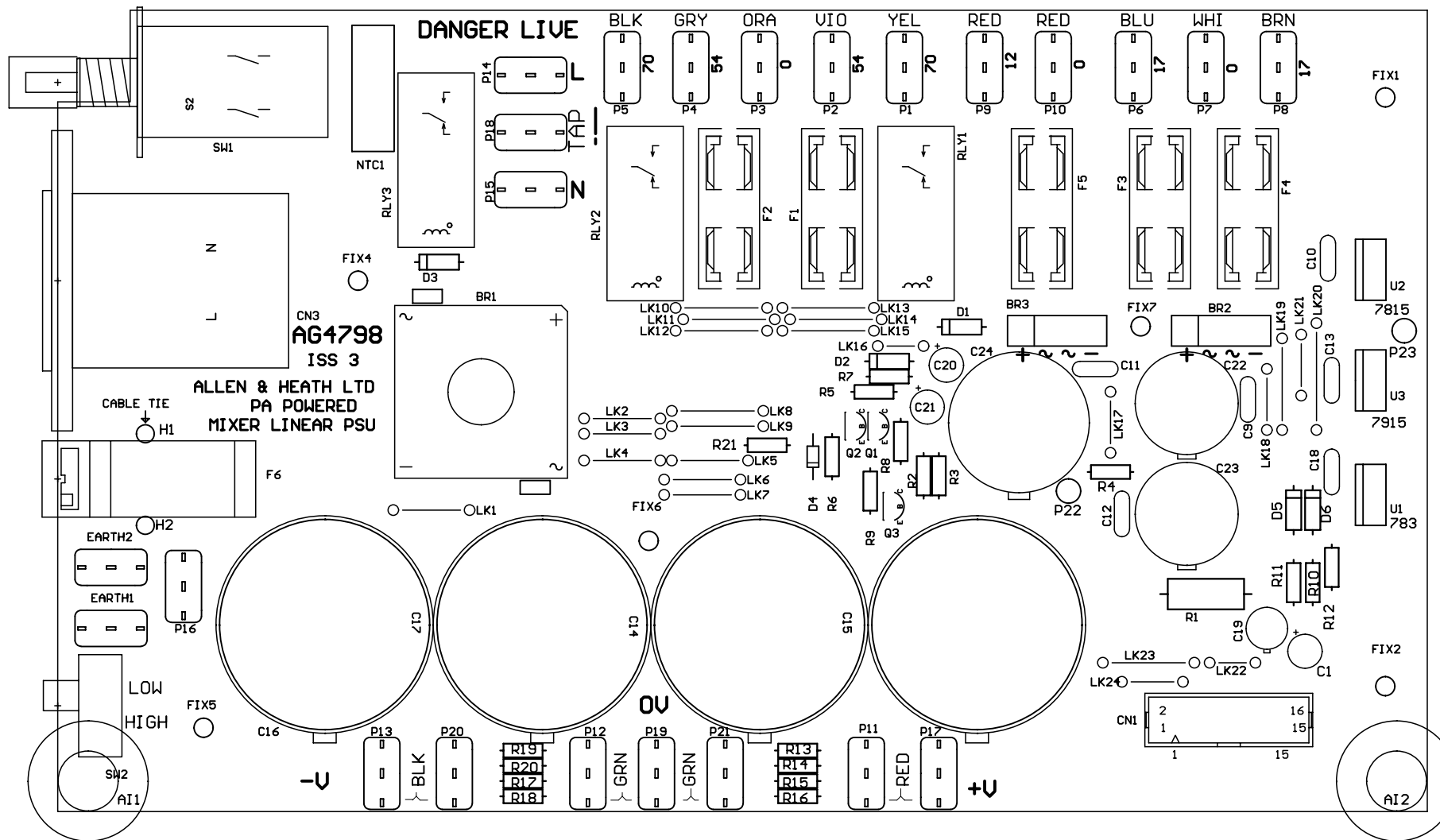
**ALLEN&HEATH**  
 Kernick Industrial Estate,  
 Penryn, Cornwall,  
 England. TR10 9LU  
 Tel: +44 (0)8707 556250  
 Fax: +44 (0)8707 556251

ISSUE	BY	DATE
1	MG	01-08-02
2	MG	12-08-02
3	MG	25-09-02
3.1	MG	24-10-02
3.2	MG	2-01-03

FIX1	FIX5	FIX7	LK1	LK3	LK5	LK7	LK9	LK11	LK13	LK15	LK17	LK19
HOLE-FIXING 3.2MM	HOLE-FIXING 3.2MM	HOLE-FIXING 3.2MM	LINK TCW	LINK TCW	LINK TCW	LINK TCW	LINK TCW	LINK TCW	LINK TCW	LINK TCW	LINK TCW	LINK TCW
FIX2	FIX4	FIX6	LK2	LK4	LK6	LK8	LK10	LK12	LK14	LK16	LK18	LK20
HOLE-FIXING 3.2MM	HOLE-FIXING 3.2MM	HOLE-FIXING 3.2MM	LINK TCW	LINK TCW	LINK TCW	LINK TCW	LINK TCW	LINK TCW	LINK TCW	LINK TCW	LINK TCW	LINK TCW
FILE: AG4798_3.2.Sch	PRINTED: 12:10:58	27-Mar-2003	LK21	LK22	LK23	LK24	LK25	LK26	LK27	LK28	LK29	LK30
			LINK TCW	LINK TCW	LINK TCW	LINK TCW	LINK TCW	LINK TCW	LINK TCW	LINK TCW	LINK TCW	LINK TCW

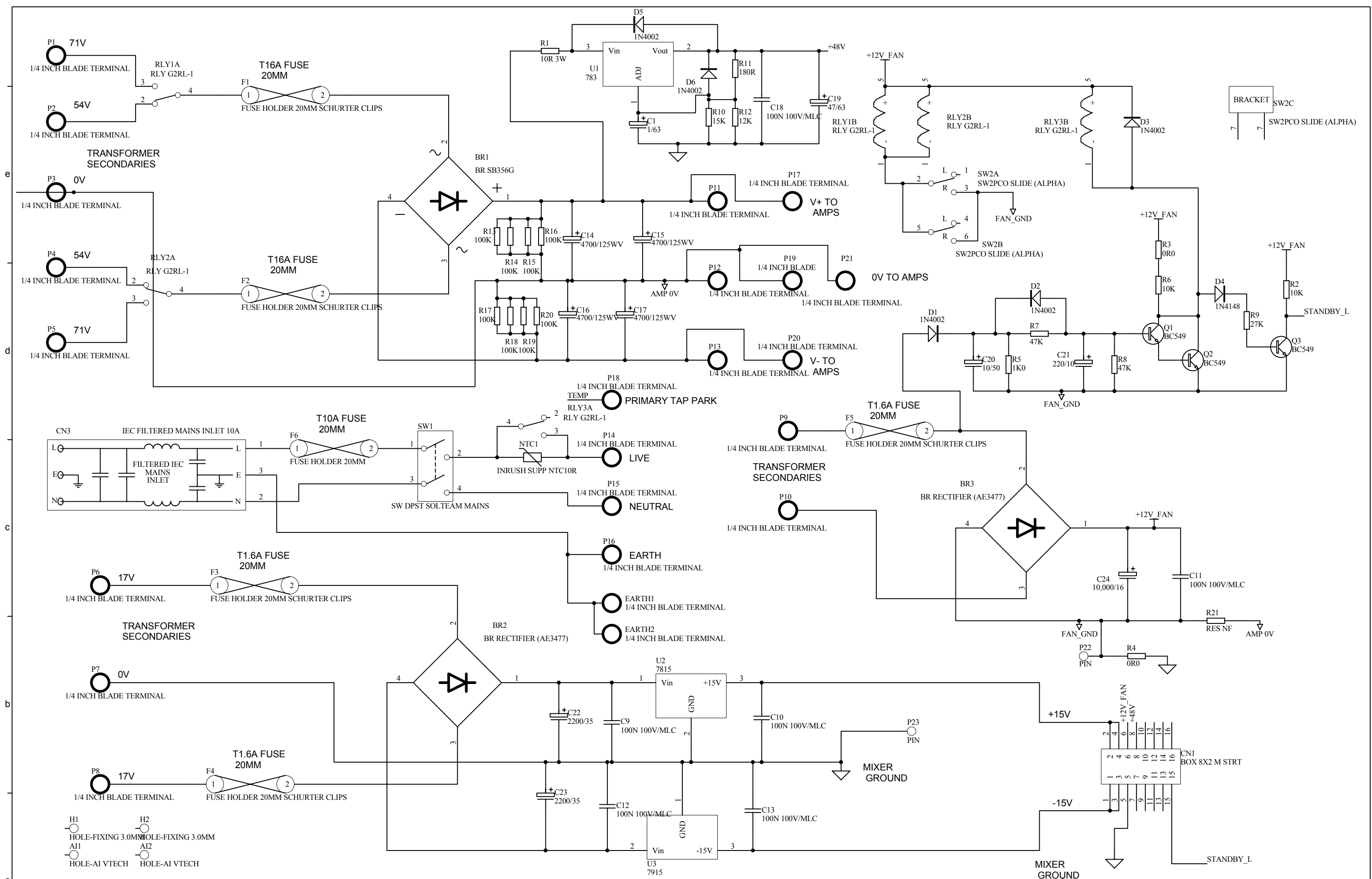
TITLE: PA SERIES POWERED MIXER  
 PAGE: Linear PSU pcb  
 DRG No: 4798 ISSUE: 3.2 SHEET: 1 OF 1

003-069/1



TOP OVERLAY .GTO

Designator	Description	Designator	Description
BR1	BRIDGE RECTIFIER 35A 600V BR5B356G (AE0239)	P9	BLADE TERMINAL 1/4" (AL0392)
BR2	BRIDGE RECTIFIER 2KB6PM (AE3477)	P10	BLADE TERMINAL 1/4" (AL0392)
BR3	BRIDGE RECTIFIER 2KB6PM (AE3477)	P11	BLADE TERMINAL 1/4" (AL0392)
C1	CAPACITOR ELECTROLYTIC 1MF 63V RADIAL (AF0210)	P12	BLADE TERMINAL 1/4" (AL0392)
C9	CAPACITOR ML CERAMIC 100NF 100V (AF2689)	P13	BLADE TERMINAL 1/4" (AL0392)
C10	CAPACITOR ML CERAMIC 100NF 100V (AF2689)	P14	BLADE TERMINAL 1/4" (AL0392)
C11	CAPACITOR ML CERAMIC 100NF 100V (AF2689)	P15	BLADE TERMINAL 1/4" (AL0392)
C12	CAPACITOR ML CERAMIC 100NF 100V (AF2689)	P16	BLADE TERMINAL 1/4" (AL0392)
C13	CAPACITOR ML CERAMIC 100NF 100V (AF2689)	P17	BLADE TERMINAL 1/4" (AL0392)
C14	CAPACITOR ELECT 4700MF 125V (AF5101)	P18	BLADE TERMINAL 1/4" (AL0392)
C15	CAPACITOR ELECT 4700MF 125V (AF5101)	P19	BLADE TERMINAL 1/4" (AL0392)
C16	CAPACITOR ELECT 4700MF 125V (AF5101)	P20	BLADE TERMINAL 1/4" (AL0392)
C17	CAPACITOR ELECT 4700MF 125V (AF5101)	P21	BLADE TERMINAL 1/4" (AL0392)
C18	CAPACITOR MULTILAYER CERAMIC 100NF 100V (AF2689)	Q1	TRANSISTOR BC549 NPN (AE0020)
C19	CAPACITOR ELECTROLYTIC 47uF 63V (AF0217)	Q2	TRANSISTOR BC549 NPN (AE0020)
C20	CAPACITOR ELECTROLYTIC 10MF 50V RADIAL (AF0214)	Q3	TRANSISTOR BC549 NPN (AE0020)
C21	CAPACITOR ELECT 220MF 10V RADIAL (AF0225)	R1	RESISTOR WIREWOUND 10R 3W (AC4839)
C22	CAPACITOR ELECT 2200MF 35V RADIAL (AF8145)	R2	RESISTOR CARBON 10K 1/4W 5% (AC0046)
C23	CAPACITOR ELECT 2200MF 35V RADIAL (AF8145)	R3	RESISTOR ZERO OHM (AC0335)
C24	CAPACITOR ELECTROLYTIC 10,000MF 16V RAD (AF3051)	R4	RESISTOR ZERO OHM (AC0335)
CN1	Connector IDC,Molex Type 0.1" Pitch 8x2 pins (AL0562)	R5	RESISTOR CARBON 1K 1/4W 5% (AC0031)
CN3	MAINS INLET IEC FILTER PCB 3 PIN 10A (AL5118)	R6	RESISTOR CARBON 10K 1/4W 5% (AC0046)
D1	DIODE RECTIFIER 1N4002 (AE0005)	R7	RESISTOR CARBON 47K 1/4W 5% (AC0057)
D2	DIODE RECTIFIER 1N4002 (AE0005)	R8	RESISTOR CARBON 47K 1/4W 5% (AC0057)
D3	DIODE RECTIFIER 1N4002 (AE0005)	R9	RESISTOR CARBON 27K 1/4W 5% (AC0053)
D4	DIODE SIGNAL 1N4148 (AE0007)	R10	RESISTOR CARBON 15K 1/4W 5% (AC0048)
D5	DIODE RECTIFIER 1N4002 (AE0005)	R11	RESISTOR CARBON 180R 5% (AC0015)
D6	DIODE RECTIFIER 1N4002 (AE0005)	R12	RESISTOR CARBON 12K 1/4W 5% (AC0047)
EARTH 1	BLADE TERMINAL 1/4" (AL0392)	R13	RESISTOR CARBON 100K 1/4W 5% (AC0064)
EARTH 2	BLADE TERMINAL 1/4" (AL0392)	R14	RESISTOR CARBON 100K 1/4W 5% (AC0064)
F1	FUSE COVER SCHURTER (AL8139)	R15	RESISTOR CARBON 100K 1/4W 5% (AC0064)
F1	FUSE 20MM 16A 250V A/SURGE (AL8154)	R16	RESISTOR CARBON 100K 1/4W 5% (AC0064)
	Manufacturer: Schurter Part number: 0034.3129	R17	RESISTOR CARBON 100K 1/4W 5% (AC0064)
F2	FUSE COVER SCHURTER (AL8139)	R18	RESISTOR CARBON 100K 1/4W 5% (AC0064)
F2	FUSE 20MM 16A 250V A/SURGE (AL8154)	R19	RESISTOR CARBON 100K 1/4W 5% (AC0064)
	Manufacturer: Schurter Part number: 0034.3129	R20	RESISTOR CARBON 100K 1/4W 5% (AC0064)
F3	FUSE COVER SCHURTER (AL8139)	RLY1	RELAY G2RL-1 OMRON (AM5053)
F3	FUSE 20MM 1A A/SURGE (AL0305)	RLY2	RELAY G2RL-1 OMRON (AM5053)
F4	FUSE COVER SCHURTER (AL8139)	RLY3	RELAY G2RL-1 OMRON (AM5053)
F4	FUSE 20MM 1A A/SURGE (AL0305)	SW1	SW DPST SOLTEAM MAINS PS3-22-P3AV (AL3338)
F5	FUSE COVER SCHURTER (AL8139)	SW2	SWITCH ALPHA SW2PCO SLIDE (AL5071)
F5	FUSE 20MM 1.6A/250V A/SURGE (AL0466)	U1	TL783 VOLTAGE REGULATOR (AE0214)
F6	FUSE HOLDER 20mm (AL3178)	U2	IC REGULATOR 7815 (AE0047)
F6	FUSE 20MM 10A 250V A/SURGE (AL3455)	U3	IC REGULATOR 7915 (AE0048)
	Manufacturer: Schurter Part number: 0034.3127		INSUL KIT T0220 SELF ADHESIVE (AA3514)
F1A	FUSE CLIP SCHURTER (AL8134)		HEATSINK PA LINEAR PSU (AA4991)
F1B	FUSE CLIP SCHURTER (AL8134)		HEATSINK PA SERIES LINEAR BRIDGE (AA5097)
F2A	FUSE CLIP SCHURTER (AL8134)		
F2B	FUSE CLIP SCHURTER (AL8134)		
F3A	FUSE CLIP SCHURTER (AL8134)		
F3B	FUSE CLIP SCHURTER (AL8134)		
F4A	FUSE CLIP SCHURTER (AL8134)		
F4B	FUSE CLIP SCHURTER (AL8134)		
F5A	FUSE CLIP SCHURTER (AL8134)		
F5B	FUSE CLIP SCHURTER (AL8134)		
LK1	TC WIRE LINK (AH0070)		
LK2	TC WIRE LINK (AH0070)		
LK3	TC WIRE LINK (AH0070)		
LK4	TC WIRE LINK (AH0070)		
LK5	TC WIRE LINK (AH0070)		
LK6	TC WIRE LINK (AH0070)		
LK7	TC WIRE LINK (AH0070)		
LK8	TC WIRE LINK (AH0070)		
LK9	TC WIRE LINK (AH0070)		
LK10	TC WIRE LINK (AH0070)		
LK11	TC WIRE LINK (AH0070)		
LK12	TC WIRE LINK (AH0070)		
LK13	TC WIRE LINK (AH0070)		
LK14	TC WIRE LINK (AH0070)		
LK15	TC WIRE LINK (AH0070)		
LK16	TC WIRE LINK (AH0070)		
LK17	TC WIRE LINK (AH0070)		
LK18	TC WIRE LINK (AH0070)		
LK19	TC WIRE LINK (AH0070)		
LK20	TC WIRE LINK (AH0070)		
LK21	TC WIRE LINK (AH0070)		
LK22	TC WIRE LINK (AH0070)		
LK23	TC WIRE LINK (AH0070)		
LK24	TC WIRE LINK (AH0070)		
NTC1	INRUSH SUPPRESSOR NTC 10R (AE8143)		
P1	BLADE TERMINAL 1/4" (AL0392)		
P2	BLADE TERMINAL 1/4" (AL0392)		
P3	BLADE TERMINAL 1/4" (AL0392)		
P4	BLADE TERMINAL 1/4" (AL0392)		
P5	BLADE TERMINAL 1/4" (AL0392)		
P6	BLADE TERMINAL 1/4" (AL0392)		
P7	BLADE TERMINAL 1/4" (AL0392)		
P8	BLADE TERMINAL 1/4" (AL0392)		



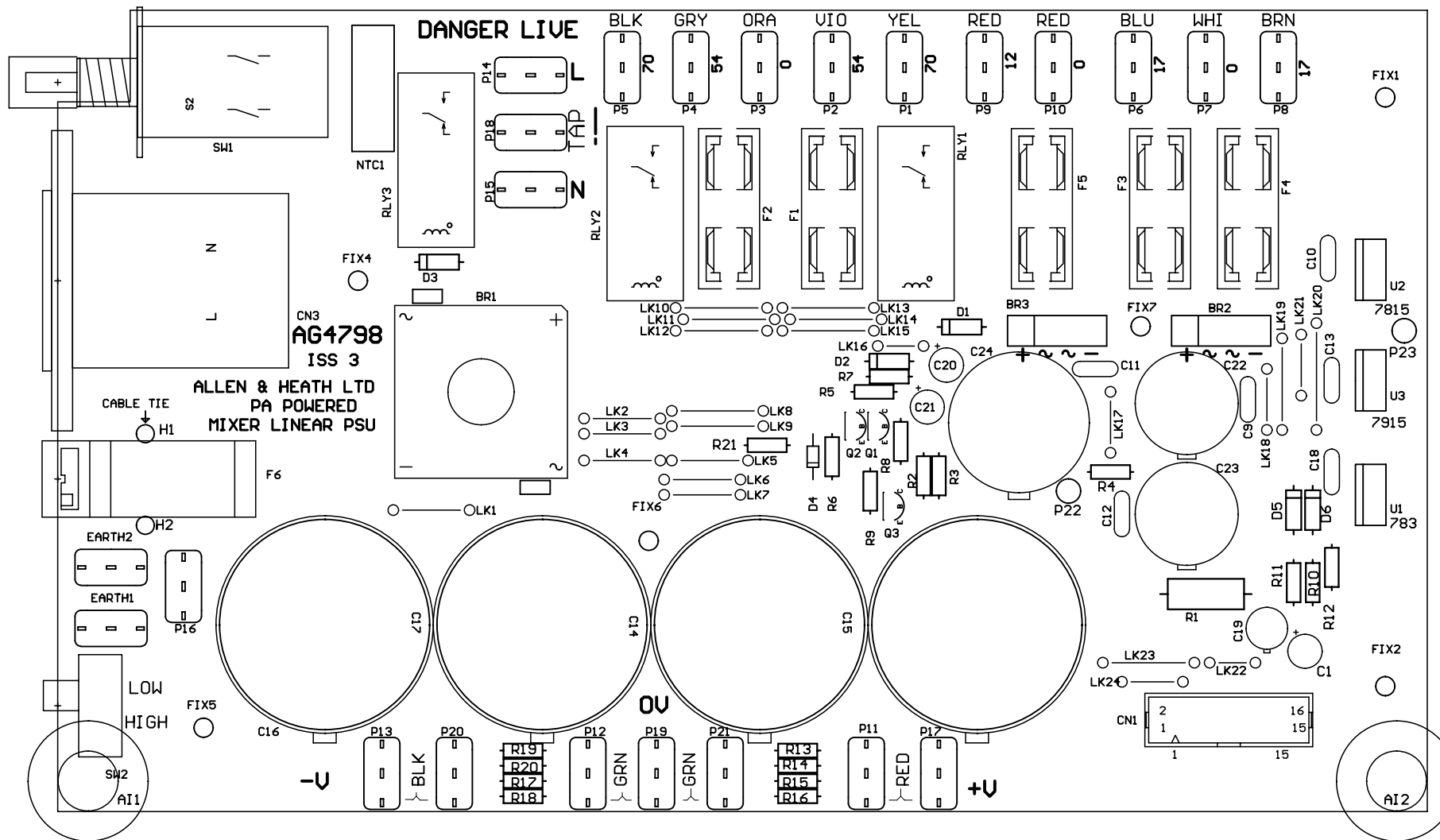
**ALLEN&HEATH**  
 Kernick Industrial Estate,  
 Penryn, Cornwall,  
 England. TR10 9LU  
 Tel: +44 (0)8707 556250  
 Fax: +44 (0)8707 556251

ISSUE	BY	DATE
1	MG	01-08-02
2	MG	12-08-02
3	MG	25-09-02
3.1	MG	24-10-02
3.2	MG	2-01-03
3.3	DWD	30-01-04

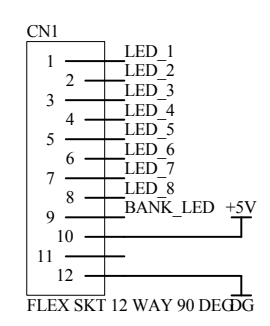
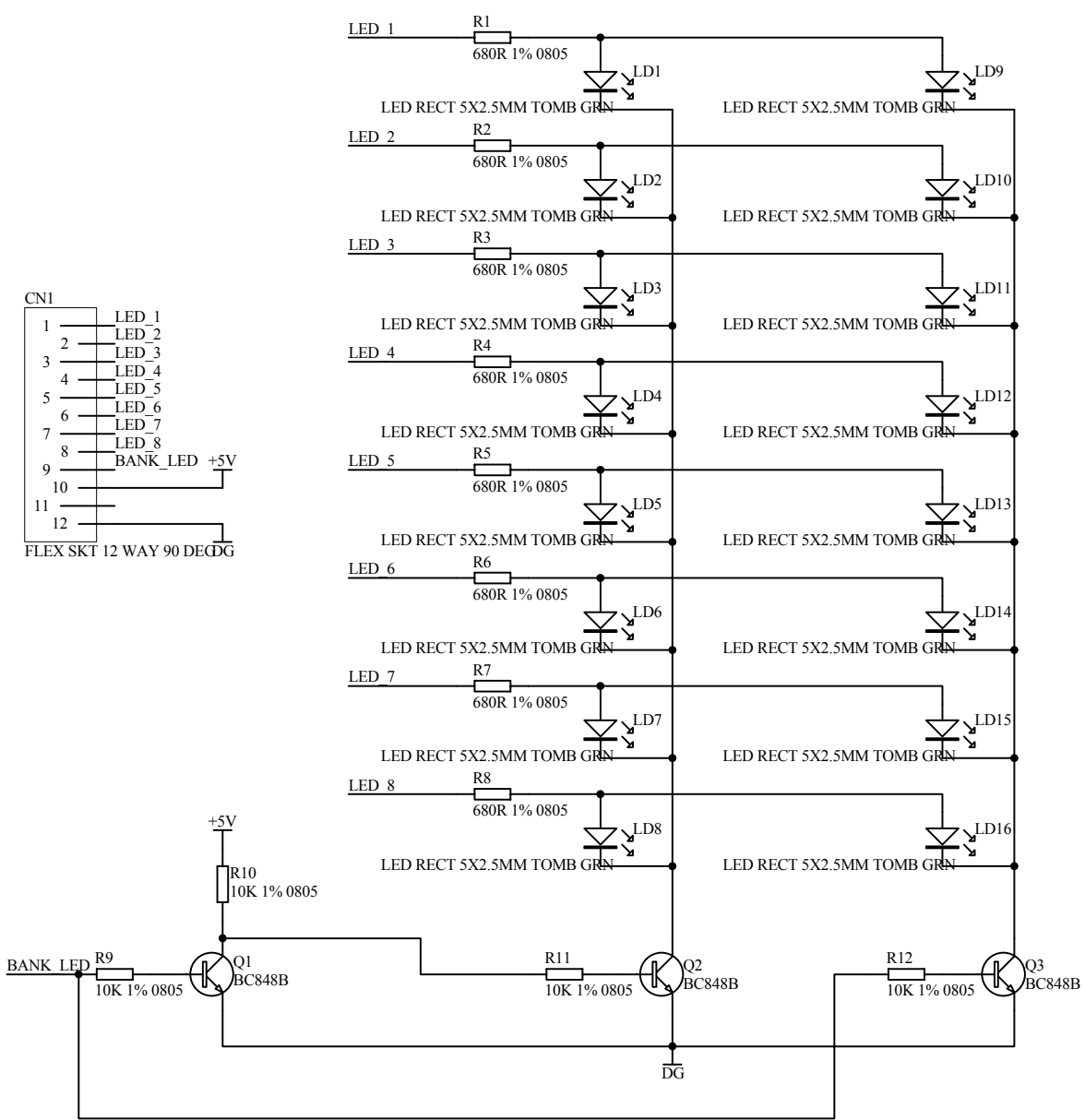
FIX1	FIX5	FIX7	LK1	LK3	LK5	LK7	LK9	LK11	LK13	LK15	LK17	LK19
HOLE-FIXING 3.2MM	HOLE-FIXING 3.2MM	HOLE-FIXING 3.2MM	LINK TCW	LINK TCW	LINK TCW	LINK TCW	LINK TCW	LINK TCW	LINK TCW	LINK TCW	LINK TCW	LINK TCW
FIX2	FIX4	FIX6	LK2	LK4	LK6	LK8	LK10	LK12	LK14	LK16	LK18	LK20
HOLE-FIXING 3.2MM	HOLE-FIXING 3.2MM	HOLE-FIXING 3.2MM	LINK TCW	LINK TCW	LINK TCW	LINK TCW	LINK TCW	LINK TCW	LINK TCW	LINK TCW	LINK TCW	LINK TCW
FILE: AG4798_3.3.Sch	PRINTED: 10:05:54	3-Feb-2004	LK21	LK22	LK23	LK24	LK25	LK26	LK27	LK28	LK29	LK30

TITLE: PA SERIES POWERED MIXER  
 PAGE: Linear PSU pcb  
 DRG No: 4798 ISSUE: 3.3 SHEET: 1 OF 1

003-069/1



TOP OVERLAY .GTO



FH1  
HOLE-FIXING 3.5MM

FH2  
HOLE-FIXING 3.5MM

FH3  
HOLE-FIXING 3.5MM

C1  
DG 100N 0805  
FH4  
HOLE-FIXING 3.5MM

SCREW1  
SCREW M3X4 PAN TORX BK

SCREW2  
SCREW M3X4 PAN TORX BK

PILLAR1  
PILLAR M3X6 HEX BRASS

PILLAR2  
PILLAR M3X6 HEX BRASS

**ALLEN&HEATH**  
Kernick Industrial Estate,  
Penryn, Cornwall,  
England. TR10 9LU  
Tel: +44 (0)8707 556250  
Fax: +44 (0)8707 556251

ISSUE	BY	DATE
A	AAT	04-07-02
1	AAT	06-08-02
2	AAT	24-09-02

FILE: C5054\_2.Sch

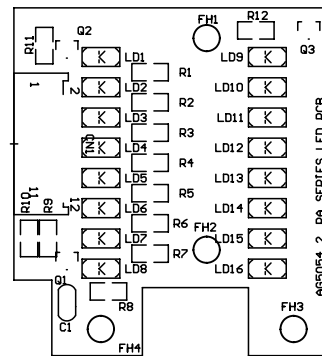
PRINTED: 13:16:45 27-Mar-2003

TITLE: PA SERIES LED PCB

PAGE:

DRG No: C5054 ISSUE: 2 SHEET: 1 OF 1

003-070/1



TOP OVERLAY

.GTO



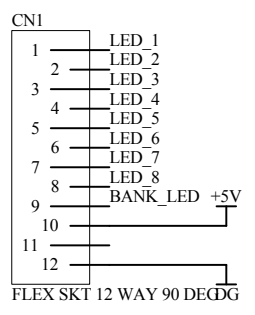
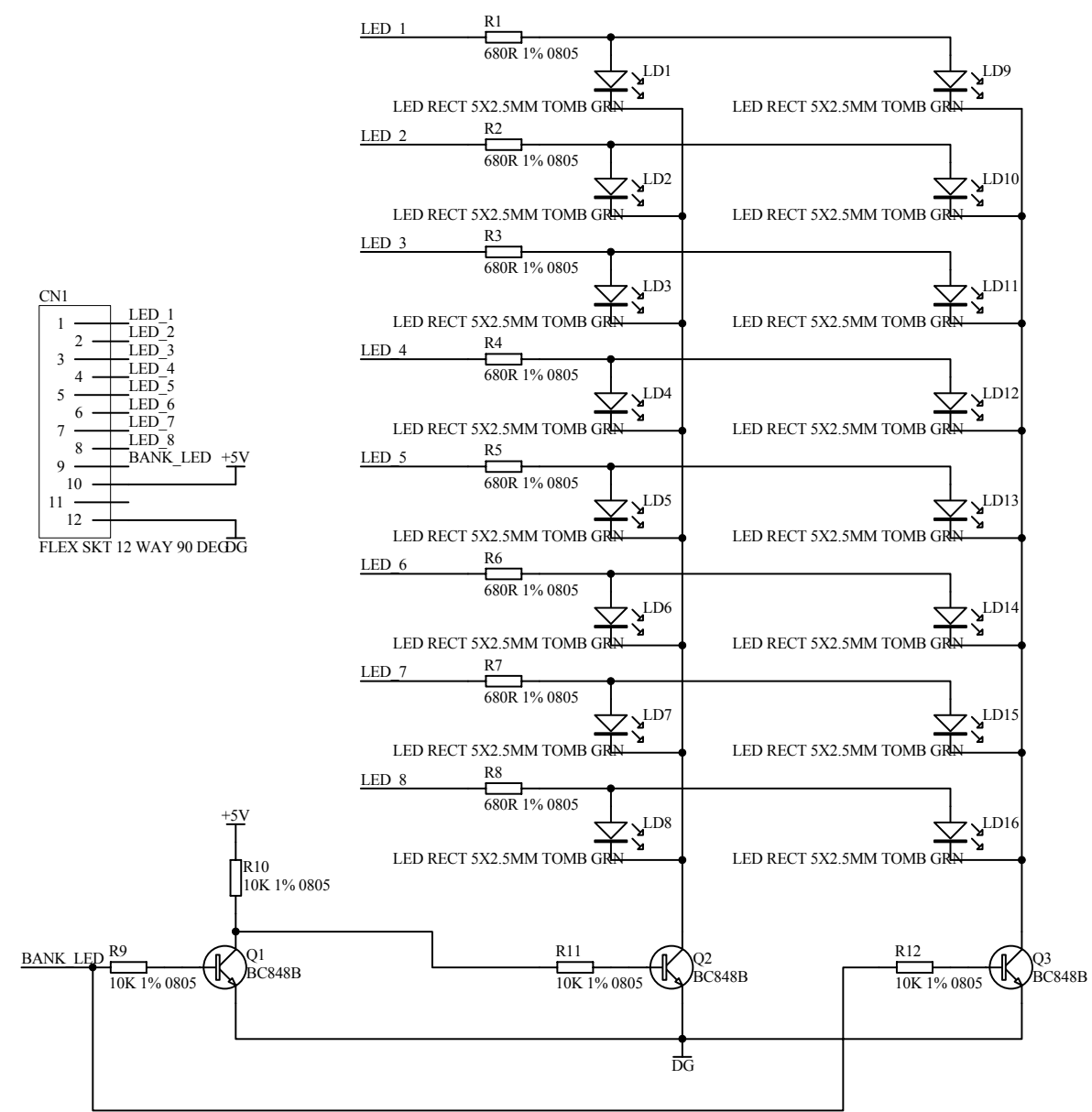
**Note:** Description includes Allen and Heath part number in brackets

## PA-CP FX LED

issue 2

Designator	Description
CN1	FLEX SKT 12 WAY 90 DEG (AL2226)
LD1	LED RECTANGULAR 5 X 2.5 TOMBSTONE GREEN (AE4864)
LD2	LED RECTANGULAR 5 X 2.5 TOMBSTONE GREEN (AE4864)
LD3	LED RECTANGULAR 5 X 2.5 TOMBSTONE GREEN (AE4864)
LD4	LED RECTANGULAR 5 X 2.5 TOMBSTONE GREEN (AE4864)
LD5	LED RECTANGULAR 5 X 2.5 TOMBSTONE GREEN (AE4864)
LD6	LED RECTANGULAR 5 X 2.5 TOMBSTONE GREEN (AE4864)
LD7	LED RECTANGULAR 5 X 2.5 TOMBSTONE GREEN (AE4864)
LD8	LED RECTANGULAR 5 X 2.5 TOMBSTONE GREEN (AE4864)
LD9	LED RECTANGULAR 5 X 2.5 TOMBSTONE GREEN (AE4864)
LD10	LED RECTANGULAR 5 X 2.5 TOMBSTONE GREEN (AE4864)
LD11	LED RECTANGULAR 5 X 2.5 TOMBSTONE GREEN (AE4864)
LD12	LED RECTANGULAR 5 X 2.5 TOMBSTONE GREEN (AE4864)
LD13	LED RECTANGULAR 5 X 2.5 TOMBSTONE GREEN (AE4864)
LD14	LED RECTANGULAR 5 X 2.5 TOMBSTONE GREEN (AE4864)
LD15	LED RECTANGULAR 5 X 2.5 TOMBSTONE GREEN (AE4864)
LD16	LED RECTANGULAR 5 X 2.5 TOMBSTONE GREEN (AE4864)
Q1	TRANSISTOR NPN BC848B (AE3332)
Q2	TRANSISTOR NPN BC848B (AE3332)
Q3	TRANSISTOR NPN BC848B (AE3332)
R1	RESISTOR SMD 680R 1% 0805 (AC3058)
R2	RESISTOR SMD 680R 1% 0805 (AC3058)
R3	RESISTOR SMD 680R 1% 0805 (AC3058)
R4	RESISTOR SMD 680R 1% 0805 (AC3058)
R5	RESISTOR SMD 680R 1% 0805 (AC3058)
R6	RESISTOR SMD 680R 1% 0805 (AC3058)
R7	RESISTOR SMD 680R 1% 0805 (AC3058)
R8	RESISTOR SMD 680R 1% 0805 (AC3058)
R9	RESISTOR SMD 10K 1% 0805 (AC2841)
R10	RESISTOR SMD 10K 1% 0805 (AC2841)
R11	RESISTOR SMD 10K 1% 0805 (AC2841)
R12	RESISTOR SMD 10K 1% 0805 (AC2841)

e  
d  
c  
b  
a



FH1 HOLE-FIXING 3.5MM

FH2 HOLE-FIXING 3.5MM

FH3 HOLE-FIXING 3.5MM

C1 NF CAP 0805  
FH4 HOLE-FIXING 3.5MM

SCREW1  
SCREW M3X4 PAN TORX BK

SCREW2  
SCREW M3X4 PAN TORX BK

PILLAR1  
PILLAR M3X6 HEX BRASS

PILLAR2  
PILLAR M3X6 HEX BRASS

**ALLEN&HEATH**  
Kernick Industrial Estate,  
Penryn, Cornwall,  
England. TR10 9LU  
Tel: +44 (0)8707 556250  
Fax: +44 (0)8707 556251

ISSUE	BY	DATE
A	AAT	04-07-02
1	AAT	06-08-02
2	AAT	24-09-02
2.1	MG	28-07-03

FILE: C5054\_2.1.Sch

PRINTED: 16:22:01 29-Jul-2003

TITLE: PA SERIES LED PCB  
PAGE:

DRG No: C5054 ISSUE: 2.1 SHEET: 1 OF 1

A

B

C

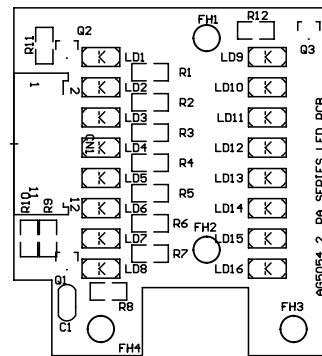
D

E

F

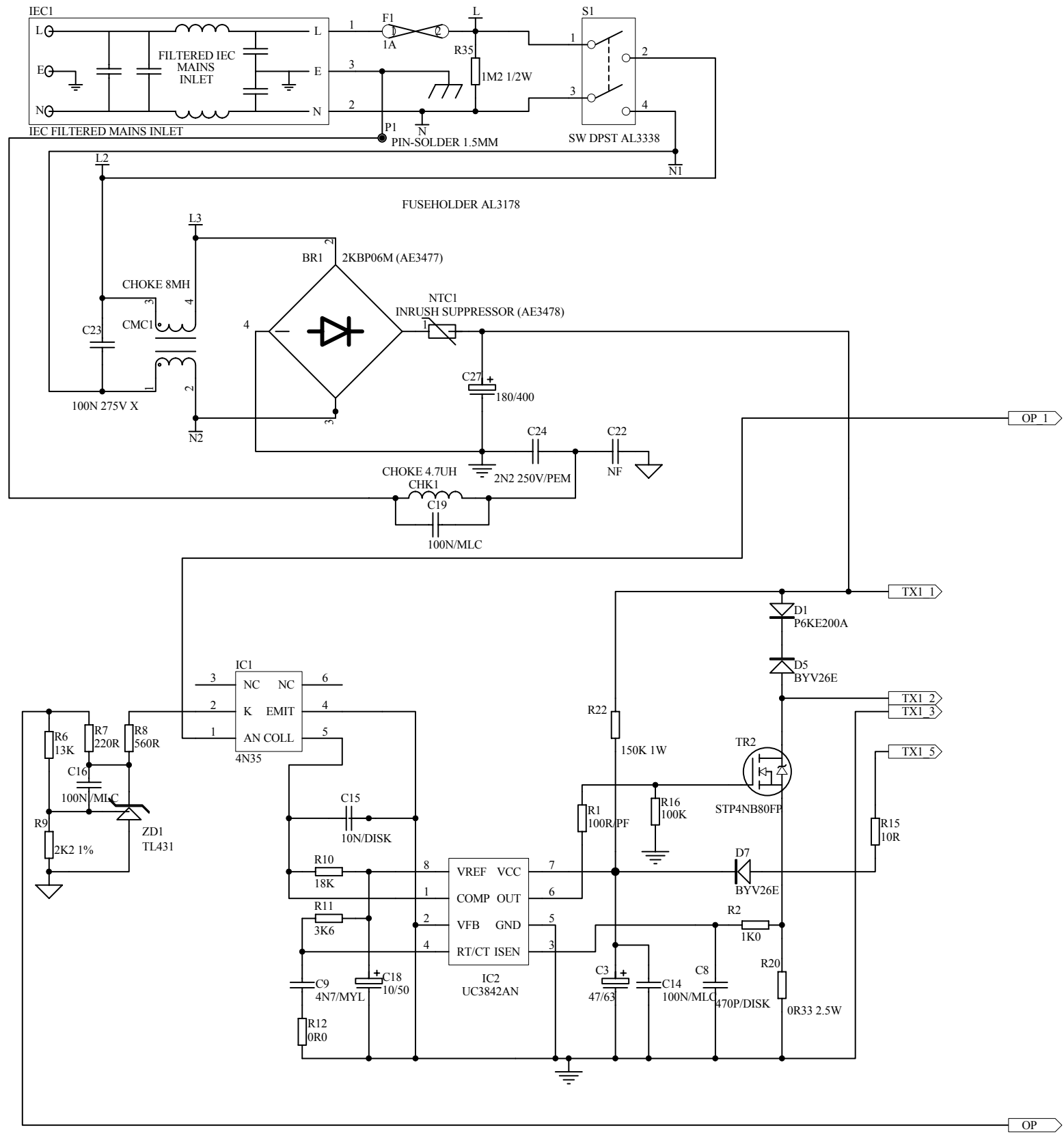
G

003-070/1



TOP OVERLAY

.GTO



- LK1
- LINK TCW
- LK2
- LINK TCW
- LK3
- LINK TCW
- LK4
- LINK TCW
- LK5
- LINK TCW
- LK6
- LINK TCW

**ALLEN&HEATH**  
 Kernick Industrial Estate,  
 Penryn, Cornwall,  
 England. TR10 9LU  
 Tel: +44 (0)8707 556250  
 Fax: +44 (0)8707 556251

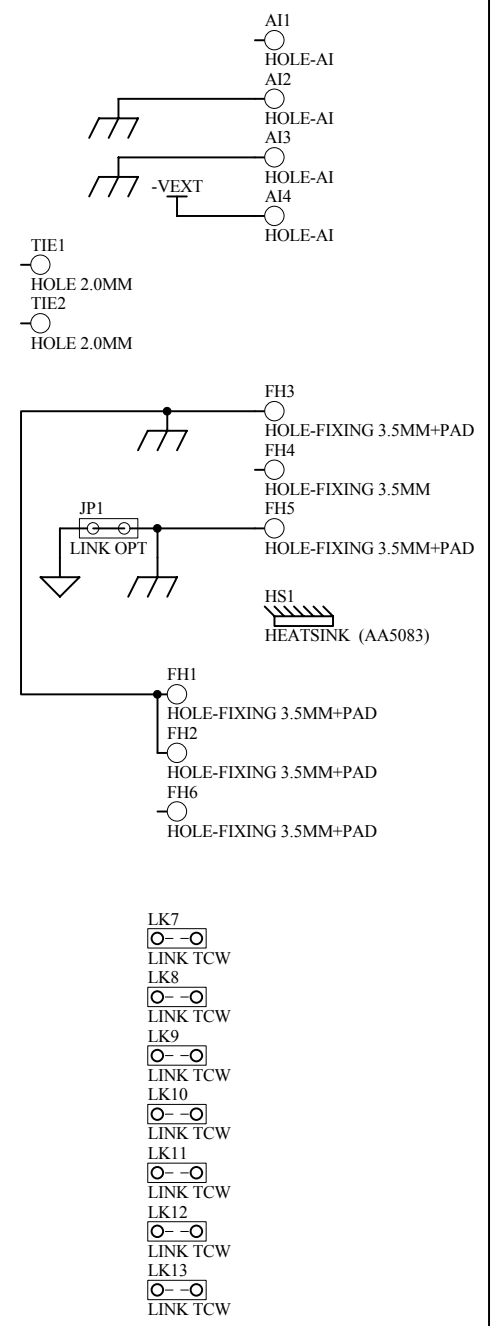
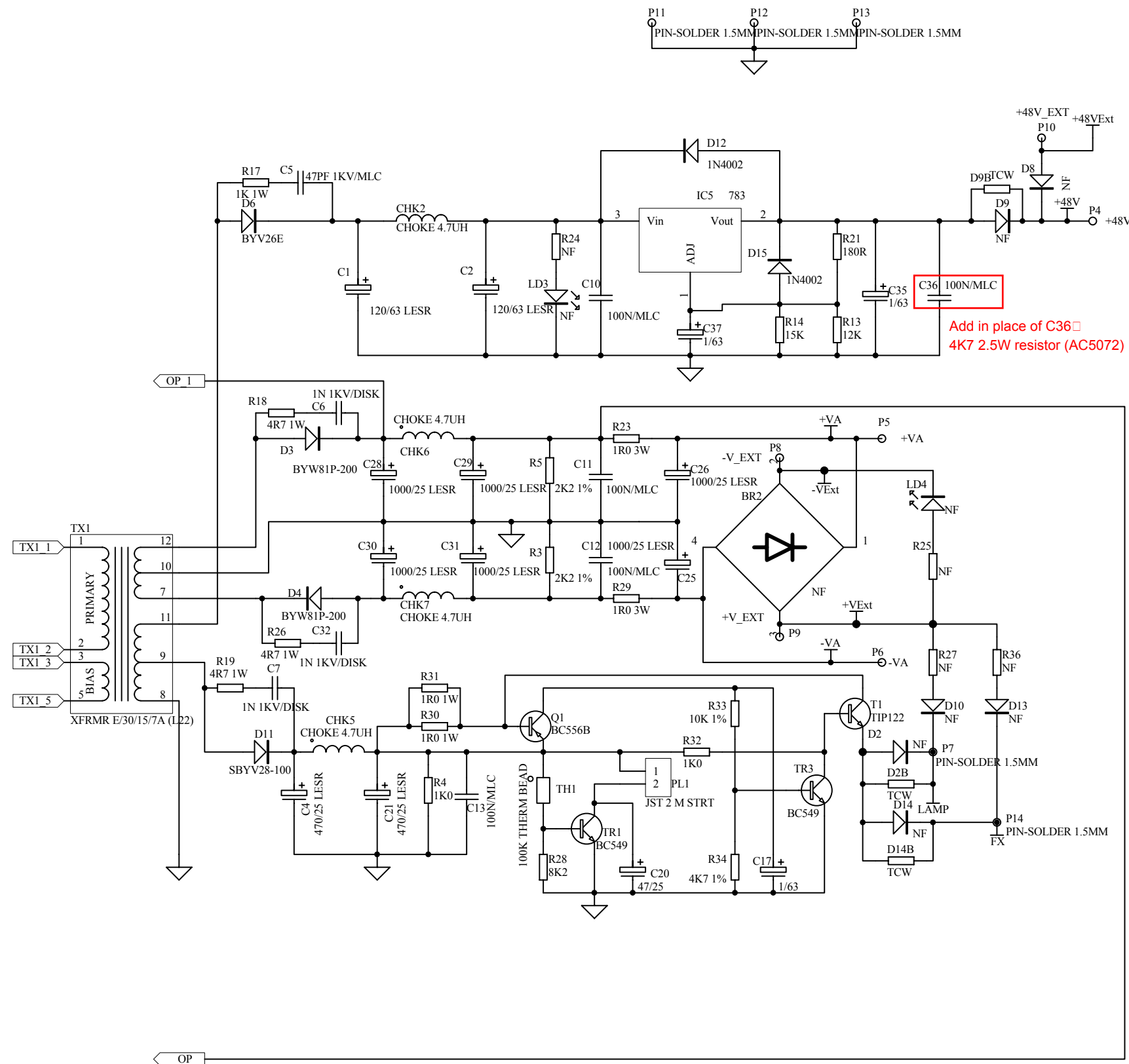
ISSUE	BY	DATE	CHK BY
1	AAT	20-02-03	SRT
2	AAT	09-04-03	SRT

FILE: AG5044\_2P2.SCH

PRINTED: 09:26:10 30-Jul-2003

TITLE: PA SERIES UNPOWERED PSU  
 PAGE:  
 DRG No: AG5044 ISSUE: 2 SHEET: 2 OF 3

003-094/1



**ALLEN&HEATH**  
 Kernick Industrial Estate,  
 Penryn, Cornwall,  
 England. TR10 9LU  
 Tel: +44 (0)8707 556250  
 Fax: +44 (0)8707 556251

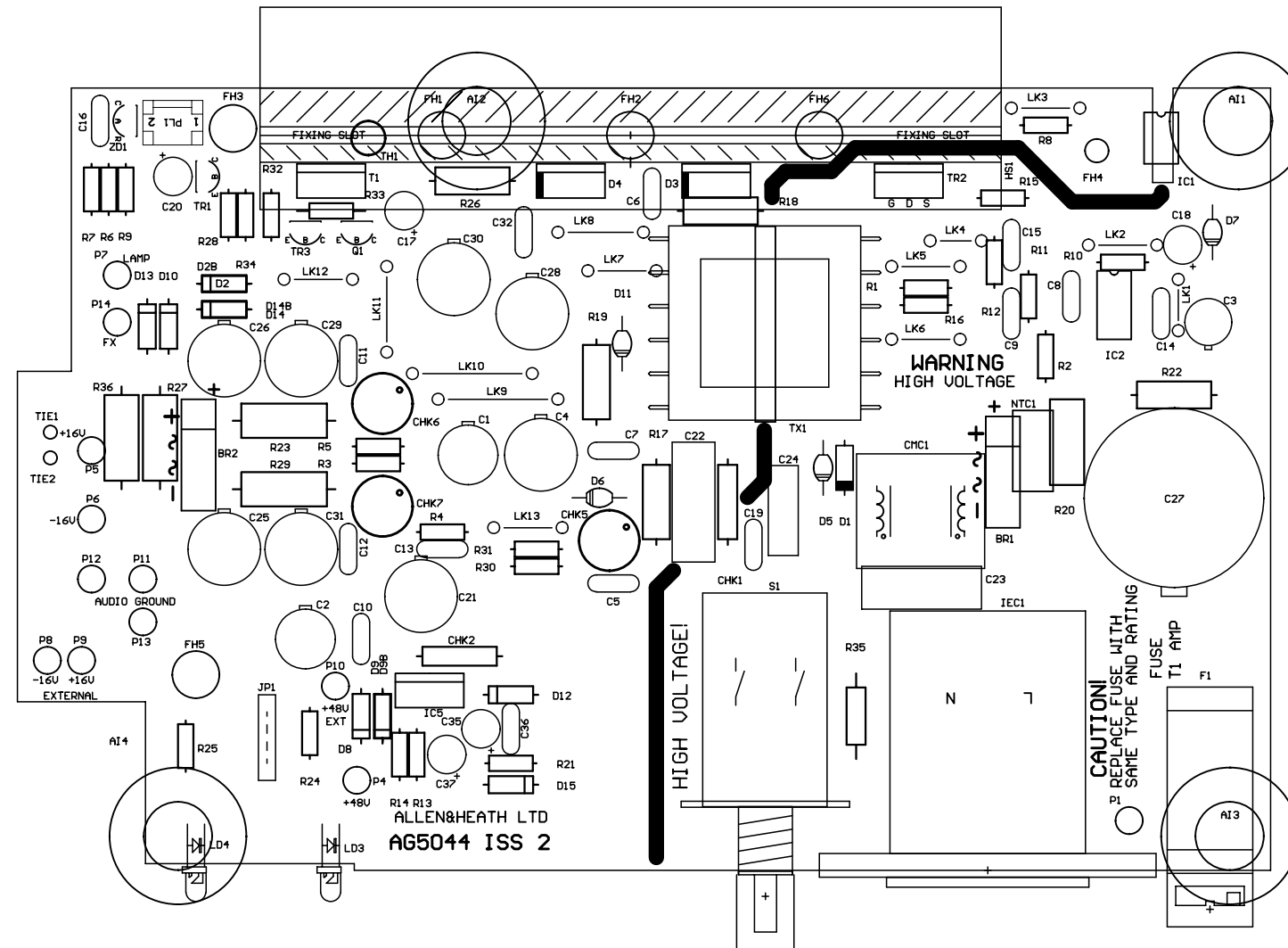
ISSUE	BY	DATE	CHK BY
1	AAT	20-02-03	SRT
2	AAT	09-04-03	SRT

FILE: AG5044\_2P3.SCH

PRINTED: 09:26:10 30-Jul-2003

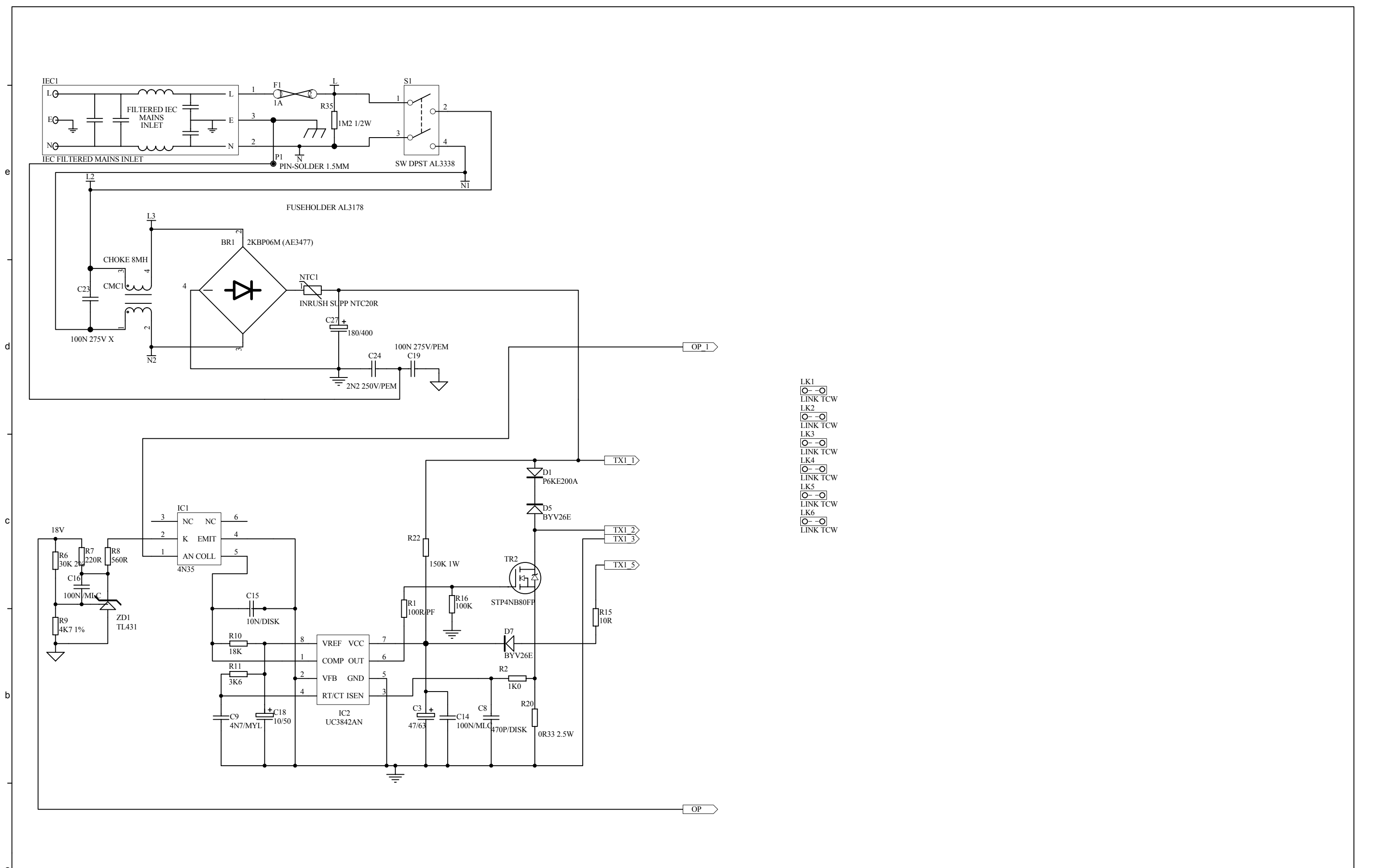
TITLE: PA SERIES UNPOWERED PSU  
 PAGE:  
 DRG No: AG5044 ISSUE: 2 SHEET: 3 OF 3

003-094/2



TOP OVERLAY

.GTO



- LK1
- LINK TCW
- LK2
- LINK TCW
- LK3
- LINK TCW
- LK4
- LINK TCW
- LK5
- LINK TCW
- LK6
- LINK TCW

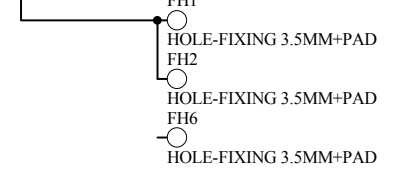
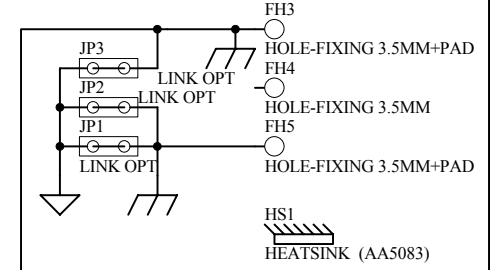
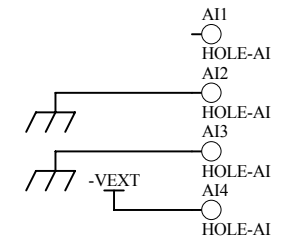
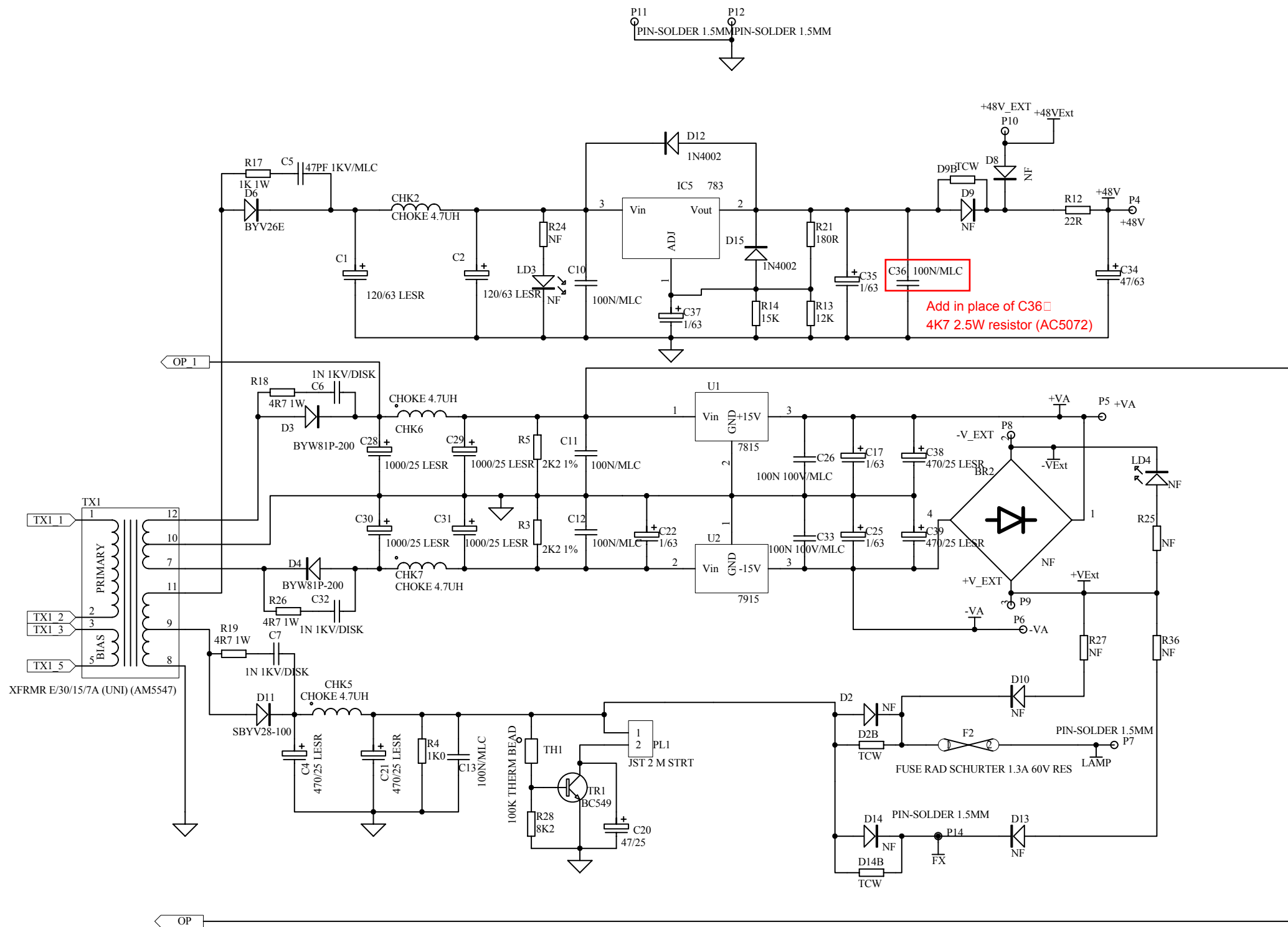
**ALLEN&HEATH**  
 Kernick Industrial Estate,  
 Penryn, Cornwall,  
 England. TR10 9LU  
 Tel: +44 (0)8707 556250  
 Fax: +44 (0)8707 556251

ISSUE	BY	DATE	CHK BY
1	AAT	20-02-03	SRT
2	AAT	09-04-03	SRT
3	SRT	14-07-03	Text
4	SRT	10-11-03	Text

FILE: AG5044\_4P2.SCH

PRINTED: 15:19:09 30-Jan-2004

TITLE: PA SERIES UNPOWERED PSU  
 PAGE:  
 DRG No: AG5044 ISSUE: 4 SHEET: 2 OF 3



- LK7 LINK TCW
- LK8 LINK TCW
- LK9 LINK TCW
- LK10 LINK TCW
- LK11 LINK TCW
- LK12 LINK TCW
- LK13 LINK TCW
- LK14 LINK TCW

Add in place of C36  
4K7 2.5W resistor (AC5072)

**ALLEN&HEATH**  
Kernick Industrial Estate,  
Penryn, Cornwall,  
England. TR10 9LU  
Tel: +44 (0)8707 556250  
Fax: +44 (0)8707 556251

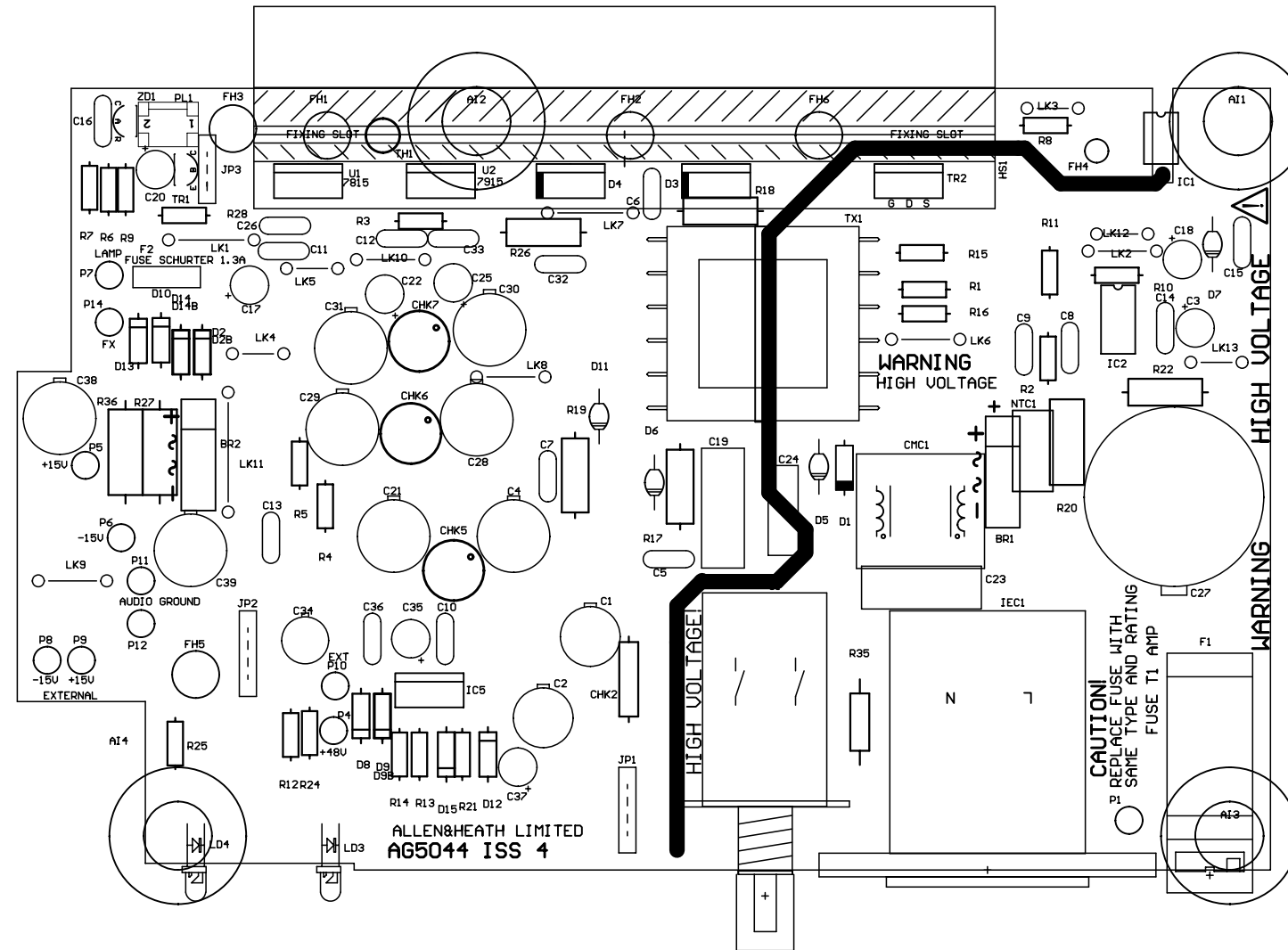
ISSUE	BY	DATE	CHK BY
1	AAT	20-02-03	SRT
2	AAT	09-04-03	SRT
3	SRT	14-07-03	Text
4	SRT	10-11-03	Text

FILE: AG5044\_4P3.SCH

PRINTED: 15:19:09 30-Jan-2004

TITLE: PA SERIES UNPOWERED PSU  
PAGE:  
DRG No: AG5044 ISSUE: 4 SHEET: 3 OF 3





TOP OVERLAY

.GTO