

BOSS GE-7 GE-7B

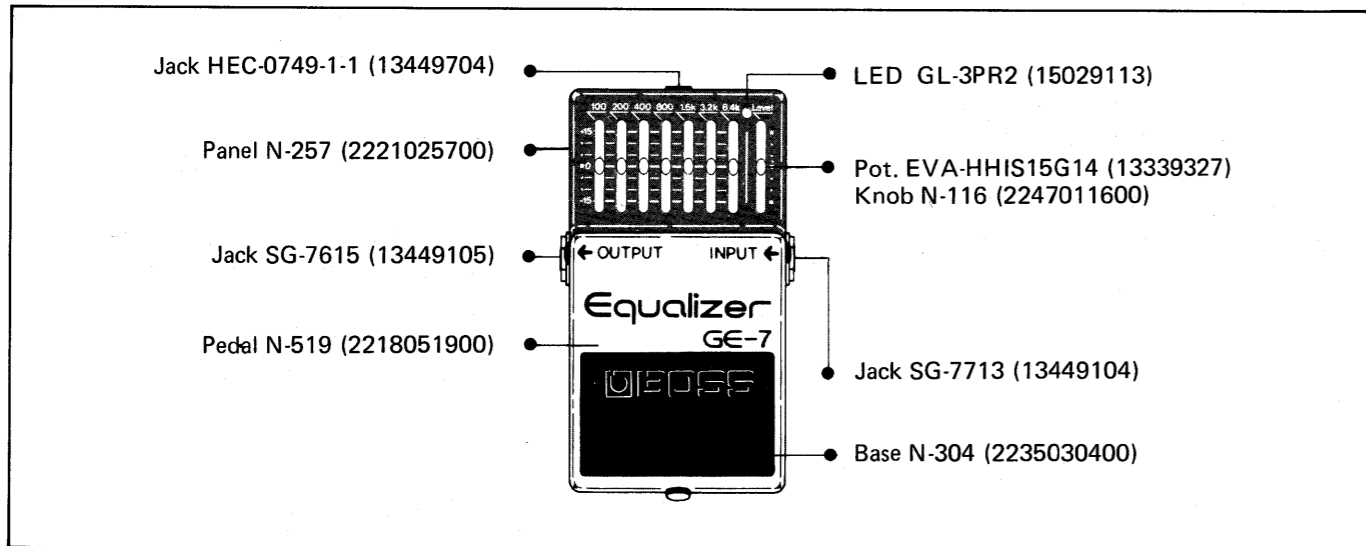
SERVICE NOTES *First Edition*

GE-7

※This notes includes the contents of the GE-7 First Edition and makes it obsolete.
 ※GE-7のサービスノート第一版は廃版とし本サービスノートに併合します。

SPECIFICATIONS

- Power Source Battery 9V (1) AC Adaptor
- Current draw 7mA at 9V
- Equalization 7-Band ±15dB
100Hz/200Hz/400Hz/800Hz/1.6kHz/3.2kHz/6.4kHz
- Level Control ±15dB (Center 0dB)
- Residual Noise -100dBm (IHF-A)
- Dimensions 70(W) x 55(H) x 125(D)mm
- Weight 450g

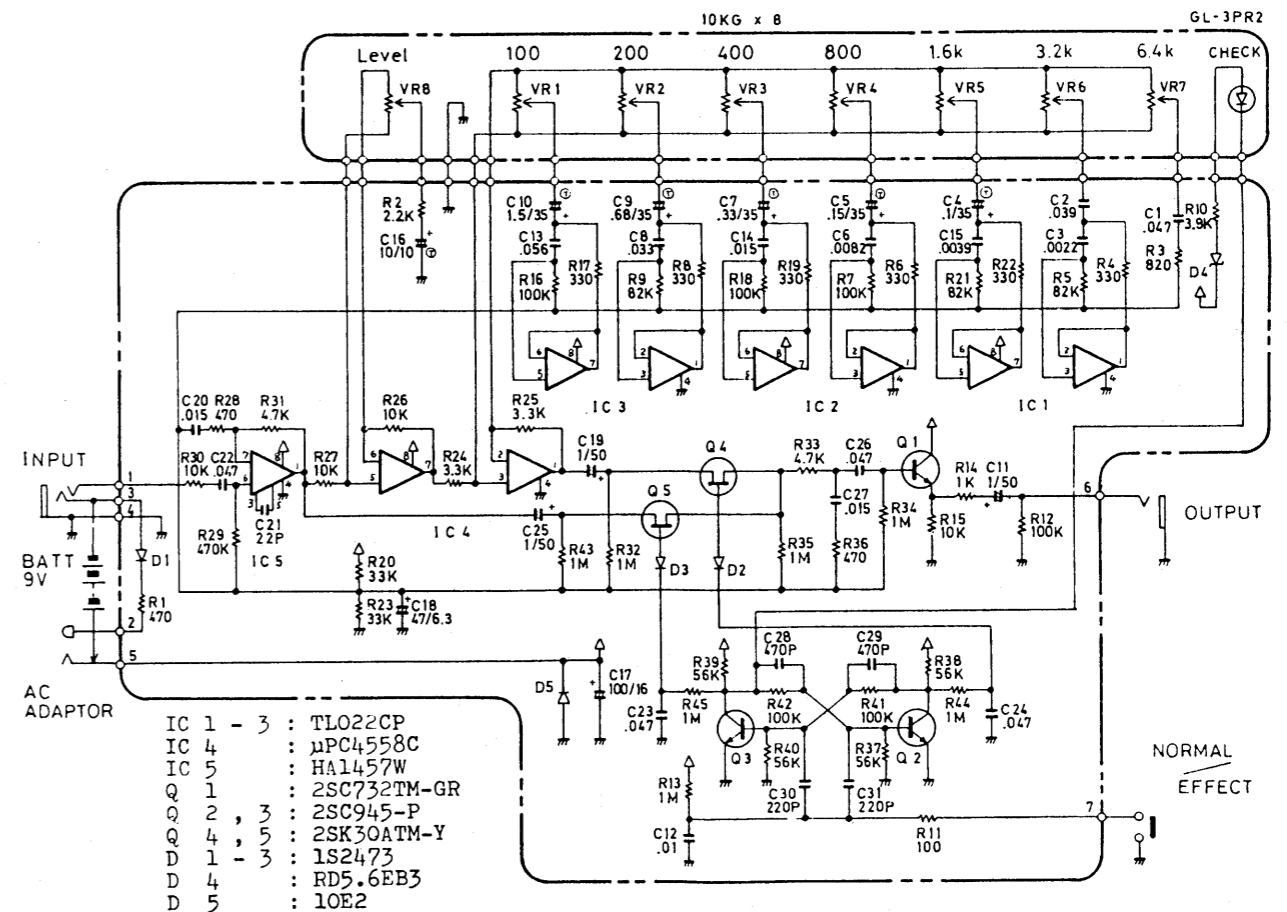
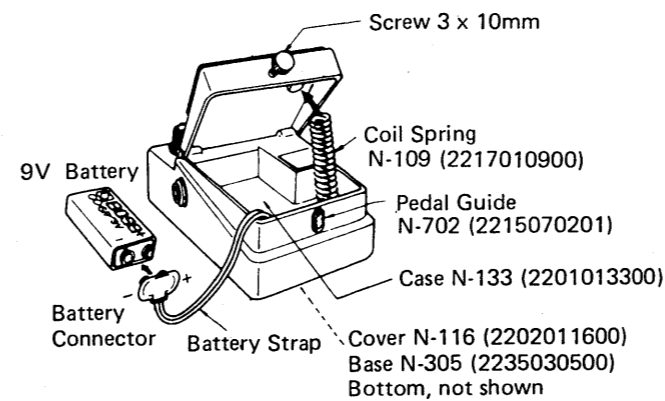
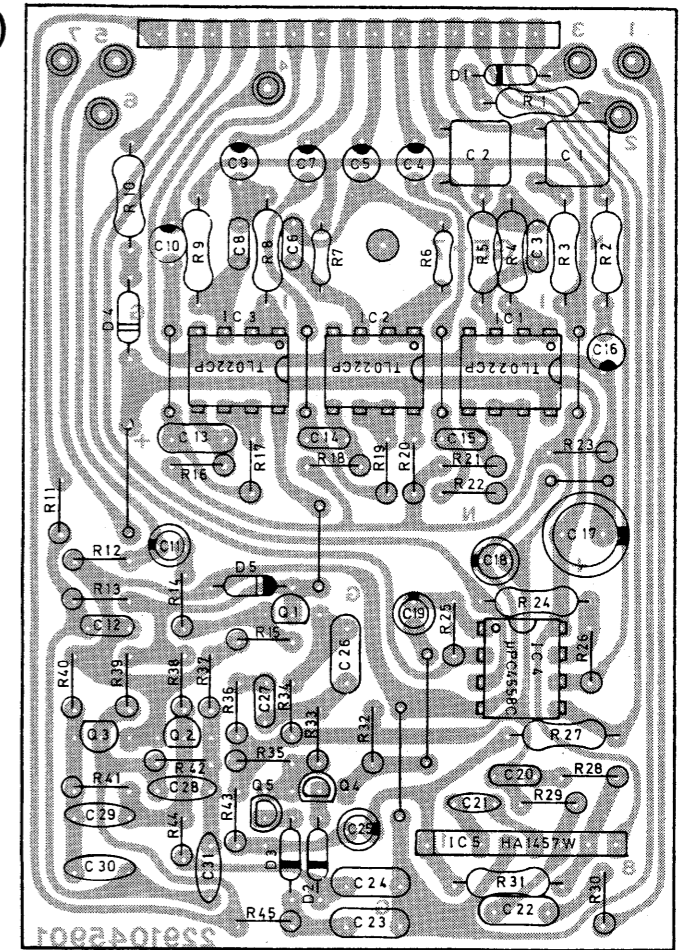


PARTS LIST

2201013300	Case	N-133		
2218051900	Pedal	N-519		
2202011600	Cover	N-116 bottom		
2235030500	Base	N-305 bottom		
2235030400	Base	N-304 pedal matt		
2215070201	Guide bushing	N-702A		
2226030500	Cushion	N-305 pcb		
2216050200	Spacer	N-502 pcb		
2217010900	Spring coil	N-109		
2247011600	Knob	N-116		
2221025700	Panel	N-257		
13129710	Switch	J-M0404		
22150501	Long nut (spacer)	N-501		
		3x10mm		
2343097300	Flat cable	N-973		
		15F-13MM		
	PCB			
7521551001	ET5215-510A assy	main		
	(pcb 2291045901)			
7521552000	ET5215-520A assy	sub		
	(pcb 2291046001)			
			SEMICONDUCTOR	
15139101	2SK30A(TM)-Y	FET		
15129108	2SC945-P	transistor		
15129104	2SC732TM-GR	transistor		
15019103	1S2473	diode		
15019526	RD5.6EB-3	zener		
15019209	10E2	diode		
15029113	GL-3PR2	LED		
15189105	μPC4558C	BP MON Dual op amp		
15189502	HA1457W	Preamplifier		
15189115	TL022CP	BP MON Dual op amp		
			POTENTIOMETER	
13339327	EVA-HHIS15G14	10KG slide		
			JACK	
13449105	SG-7615			
13449104	SG-7713			
13449704	HEC-0749-1-1	AC adaptor		
		matted finish version of		
		HECO317 mounted on earlier		
		products in the family		

1 2 3 4 5 6 7 8 9 10 11 12 13 14 15 16 17 18 19

ET5215-510A (7521551001)
 (pcb 2291045901)



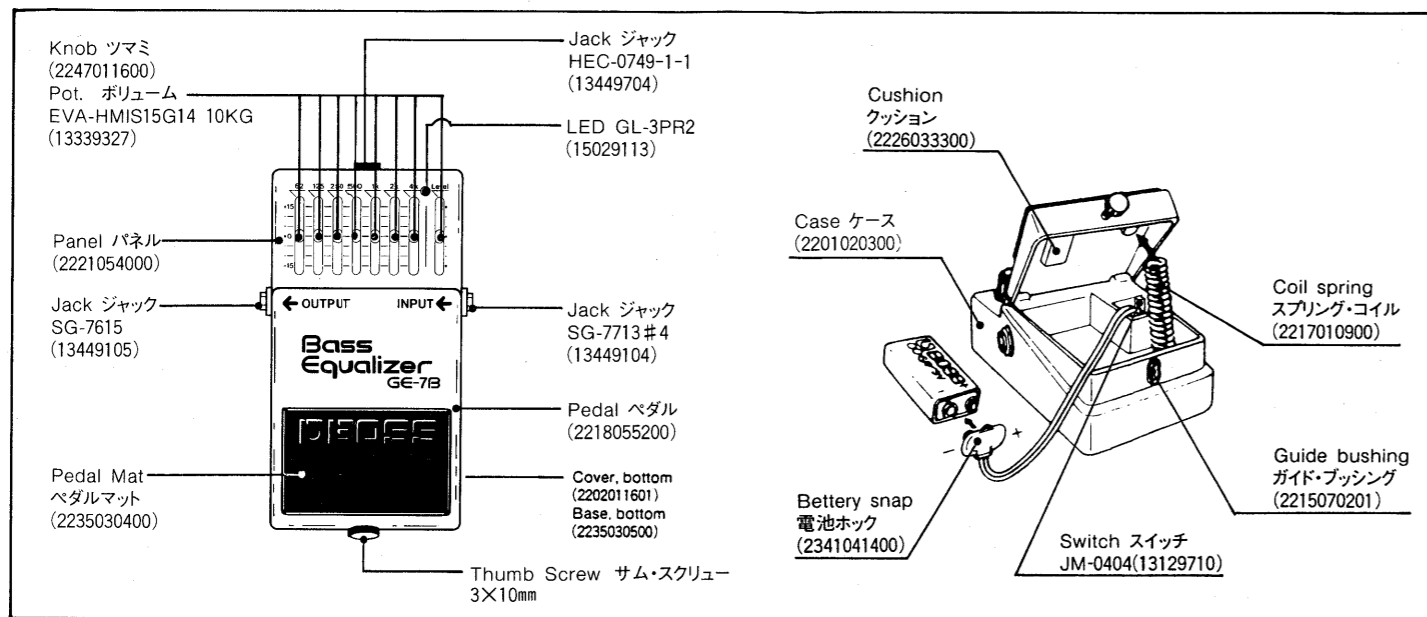
A B C D E F G H I J K L M N O P Q R S T U V

GE-7B

SPECIFICATIONS

Power Source.....9V BatteryX1 or AC adaptor(BOSS ACA Series)
 Current Draw.....12mA@9V
 Equalizer.....7bands ±15dB
 62Hz/125Hz/250Hz/500Hz/1kHz/2kHz/4kHz
 Level Control.....±15dB(Center 0dB)
 Residual Noise.....Less than -100dBm(IHF-A)

Input Impedance.....470kΩ
 Output Load Impedance.....More than 10kΩ
 Dimensions.....70(W)X55(H)X125(D)mm
 2-3/4(W)X2-1/4(H)X5(D)in.
 Weight.....400g/14oz



PARTS LIST

CASING

2201020300	Case
2221054000	Panel
2202011601	Cover
2235030500	Base
2218055200	Pedal
2235030400	Pedal Mat

KNOB

2247011600

PCB ASSY

7524052000	MT Board	(pcb 2292044200)
7524053000	VR Board	(pcb 2292044400)

IC

15189171	M5218P	Op amp
15189508	HA12017	pre amp

DIODE

15019107	DS-442	
15019209T0	S-5500G	
15019526	RD5.6EB-3	zener
15029113	GL-3PR2	LED

TRANSISTOR

15129120	2SC2240-GR	
151291290R	2SC1685R	
15139101	2SK30A-Y	FET

JACK

13669704	HEC-0749-01-010	AC adaptor
13449105	SG-7615	
13449104	SG-7713#4	

SWITCH

13129710	JM-0404	
----------	---------	--

POTENTIOMETER

13339327	EVA-HMIS15G14	10KG
----------	---------------	------

MISCELLANEOUS

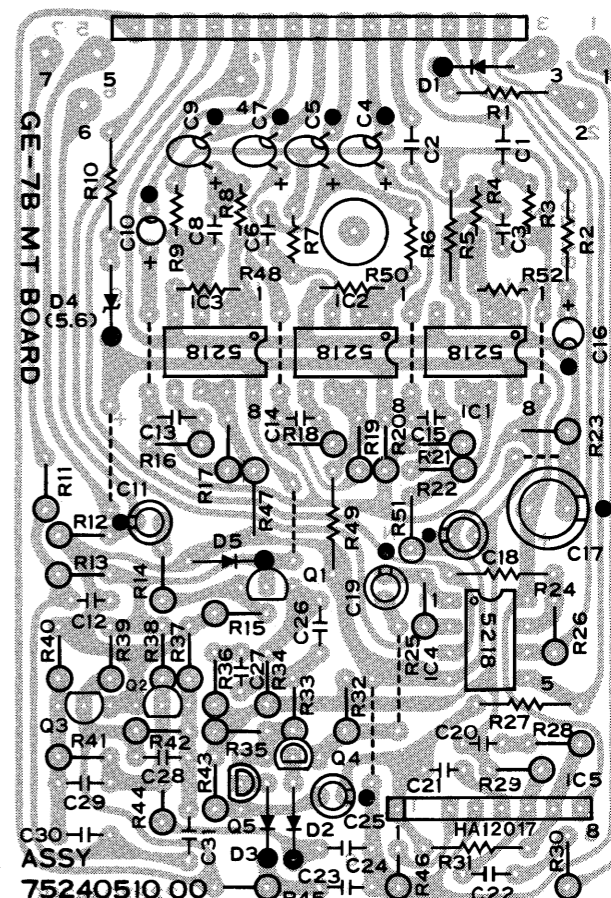
2215070201	Guide Bushing	
2226033300	Cushion	
2217010900	Coil Spring	
2341041400	Battery Snap	
2216052900	Plastic Sheet	clear
2224041300	Pot Mask	
2343097301	Flat Cable	15P 18mm

1 2 3 4 5 6 7 8 9 10 11 12 13 14 15 16 17 18

A B C D E F G H I J K L M N O P Q R S T U V

MT BOARD

7524052000
 (pcb 2292044200)



VR BOARD

7524053000
 (pcb 2292044400)

