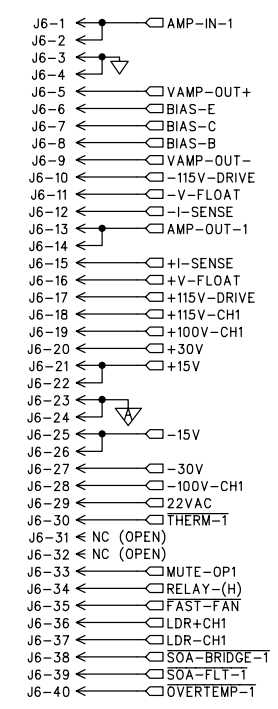


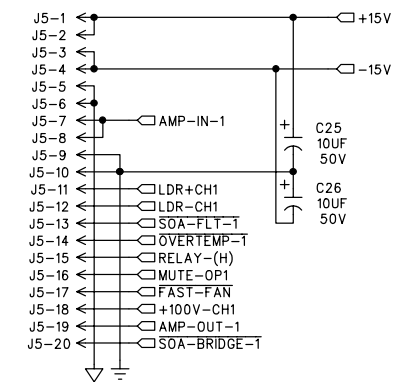
DWG. NO.	990-129-00	SHT	1	REV:	A	1
----------	------------	-----	---	------	---	---

ECO#	REV:	DESCRIPTION	REV. BY:	APP. BY:	DATE
	A	RELEASE TO PRODUCTION	TH		9-16-98

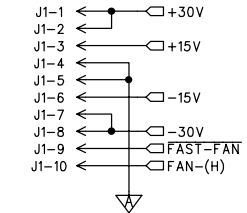
TO V-AMP / PROTECTION PCB
(055-170-00)



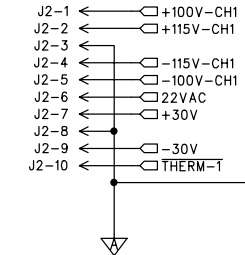
TO INPUT BOARD
(055-131-00)



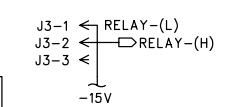
TO +/- 15V / FAN-DRIVE PCB
(055-186-00)



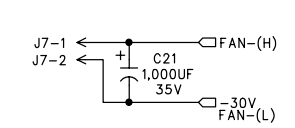
TO SUPPLY PCB
(055-171-XX)



TO PWR DISTR PCB
(055-133-XX)



TO FAN

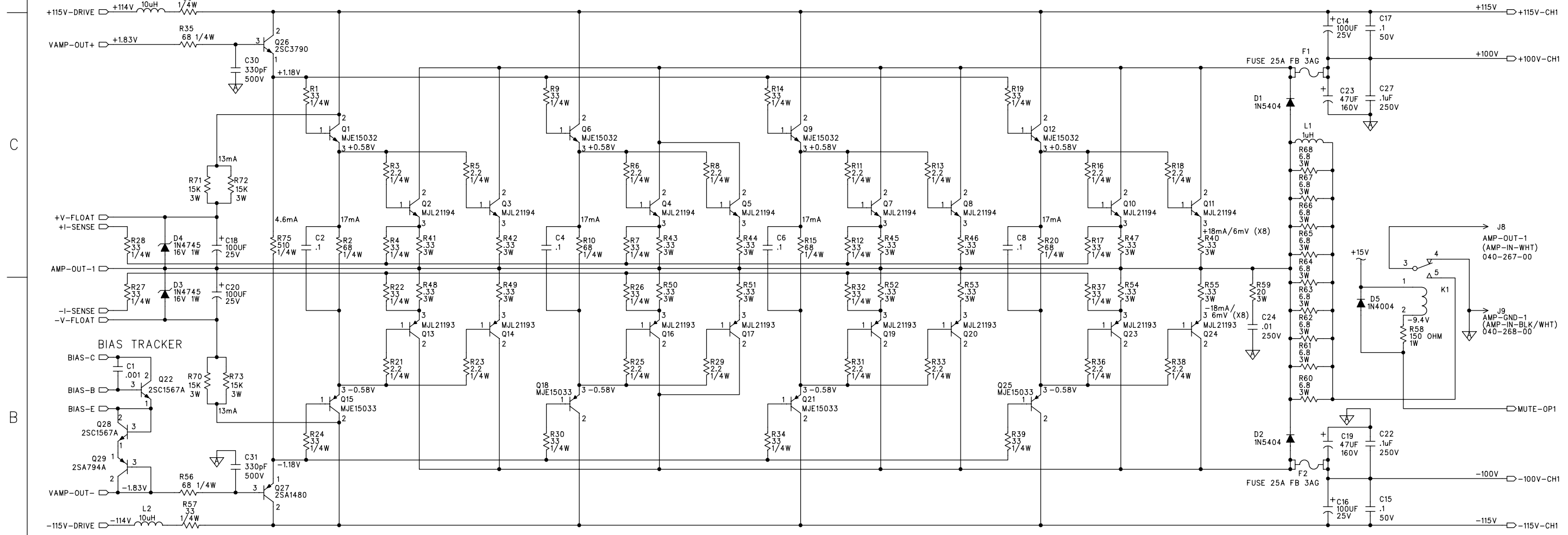


- J4 TO INPUT PCB (055-131-00)
040-265-00
DIS 14GA BLK/ WHT 4.5IN OD
- J12 TO CH-2 BOARD (055-130-00)
AMP-IN (BLK/WHT)
CH1-CH2 HI CURRENT GND
040-266-00
- J13 TO CH-2 BOARD (055-130-00)
(PCB RING MATING WITH STANDOFF
ON CH-2 BOARD)
CH1-CH2 HI CURRENT GND

- 490-021-00 MAGNET, .2THK .5DIA
- 450-129-00 PCB, M2600 CH-1 AMP
- 400-129-00 FUSE CLIP 0.25 DIA PC MNT

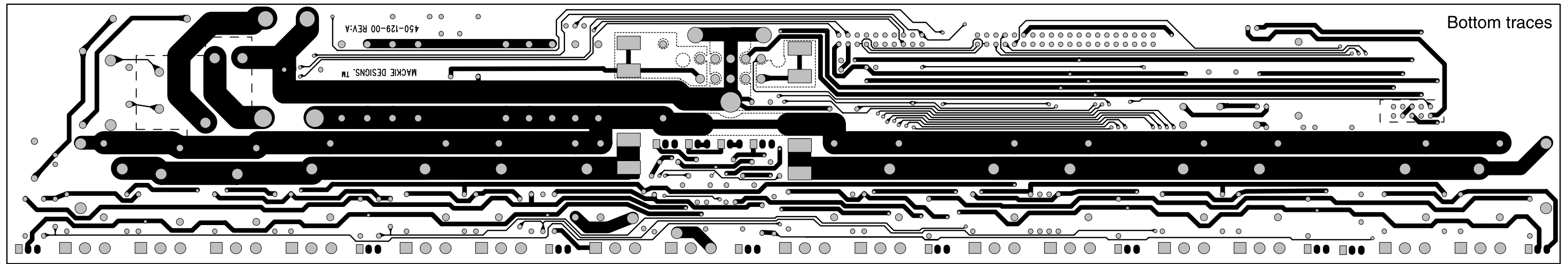
UNLESS OTHERWISE SPECIFIED DIMENSIONS ARE IN INCHES TOLERANCES ARE: FRACTIONS: .XX ±.01 ±.01 DECIMALS: .XXX ±.005 ANGLES: ±NA MATERIAL: SEE NOTES FINISH: SEE NOTES DO NOT SCALE DRAWING	APPROVALS DRAWN: Cameron Jones CHECKED: NP ENG: MFG: MFG ENG: ISSUED:	DATE 1-1-98	 Mackie Designs Inc. Woodinville, Wa. M2600 CHANNEL-1 AMPLIFIER
	SIZE: D SCALE: NONE DWG. NO.: 990-129-00 DWG FILE: 1291LAST.SCH	REV. A SHEET 1 OF 2	

WARNING: FUSES SIZED AND PROTECTION SCALED TO ALLOW AMPLIFIER TO PASS A FULL-LEVEL, 1KHZ SQUARE WAVE INTO 2 OHMS. DEFEATING THE PROTECTION AND RUNNING LOADING THAT WILL OPEN FUSING WILL RESULT IN FAILURE OF SEVERAL FUSABLE RESISTORS AND POSSIBLE FAILURE OF DRIVERS AND PRE-DRIVERS.



WARNING: FUSES SIZED AND PROTECTION SCALED TO ALLOW AMPLIFIER TO PASS A FULL-LEVEL, 1KHZ SQUARE WAVE INTO 2 OHMS. DEFEATING THE PROTECTION AND RUNNING LOADING THAT WILL OPEN FUSING WILL RESULT IN FAILURE OF SEVERAL FUSABLE RESISTORS AND POSSIBLE FAILURE OF DRIVERS AND PRE-DRIVERS.

UNLESS OTHERWISE SPECIFIED DIMENSIONS ARE IN INCHES TOLERANCES ARE: FRACTIONS: DECIMALS: ANGLES: ±NA .XX ±.01 ±NA .XXX ±.005	APPROVALS	DATE	
	DRAWN: Cameron Jones	1-1-98	
	CHECKED:		
	NP ENG:		
MATERIAL: SEE NOTES	MATERIAL:		M2600 CHANNEL-1 AMPLIFIER
FINISH: SEE NOTES	MFG:		
DO NOT SCALE DRAWING	MFG ENG:		
	ISSUED:		SIZE: D SCALE: NONE DWG. NO.: 990-129-00 REV. A DWG FILE: 1291LAST.SCH SHEET 2 OF 2



(finely dotted lines represent the copper pour boundaries)

