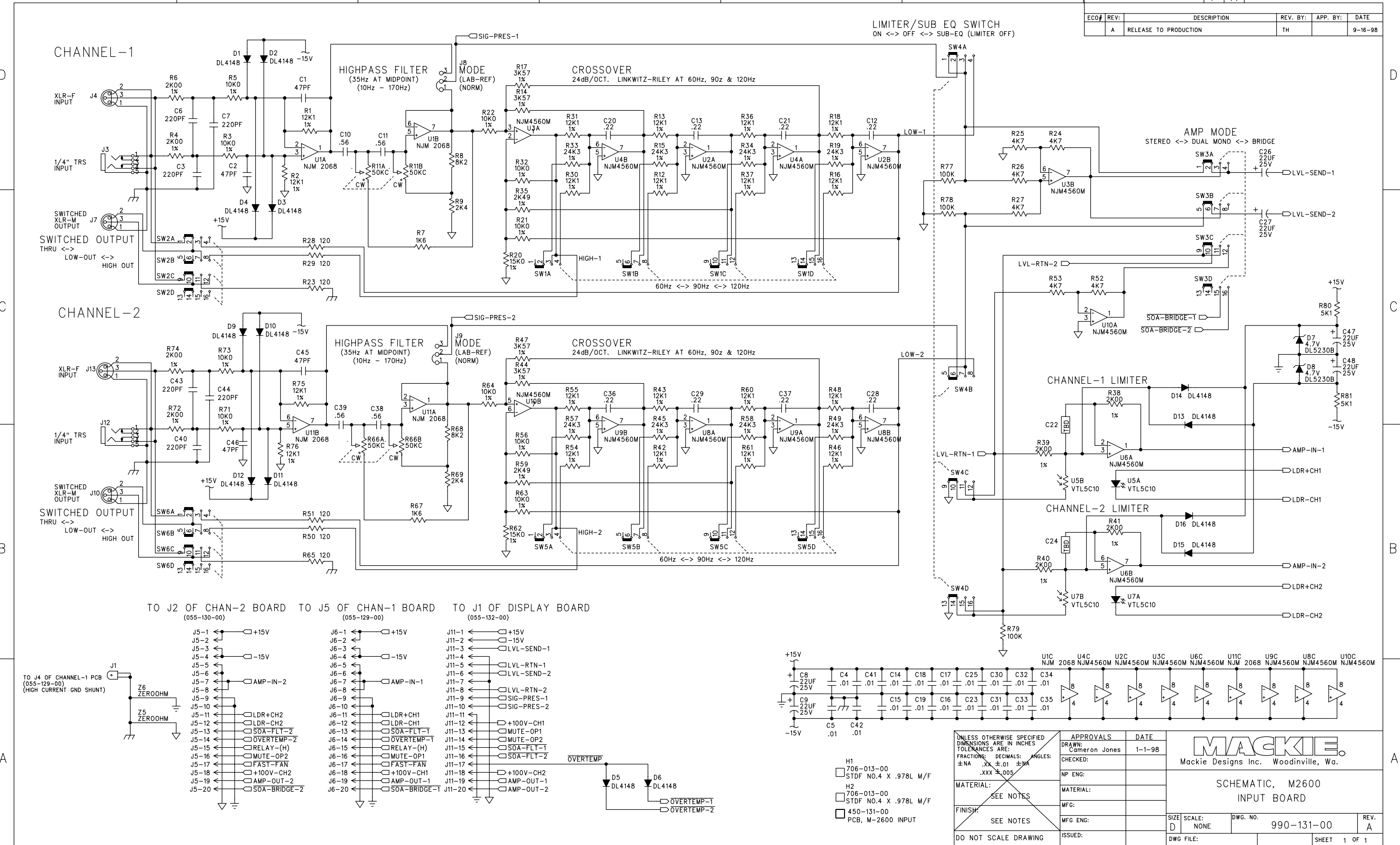
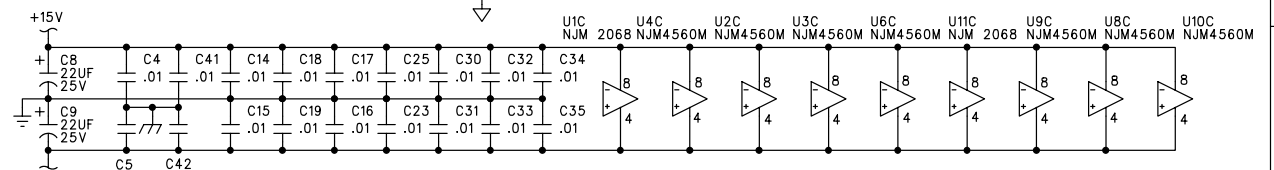
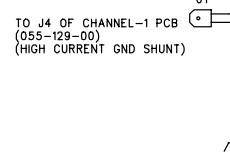


ECO#	REV:	DESCRIPTION	REV. BY:	APP. BY:	DATE
A	1	RELEASE TO PRODUCTION	TH		9-16-98



TO J2 OF CHAN-2 BOARD (055-130-00) TO J5 OF CHAN-1 BOARD (055-129-00) TO J1 OF DISPLAY BOARD (055-132-00)



APPROVALS		DATE
DRAWN: Cameron Jones		1-1-98
CHECKED:		
MATERIAL:		
MFG:		
MFG ENG:		
ISSUED:		

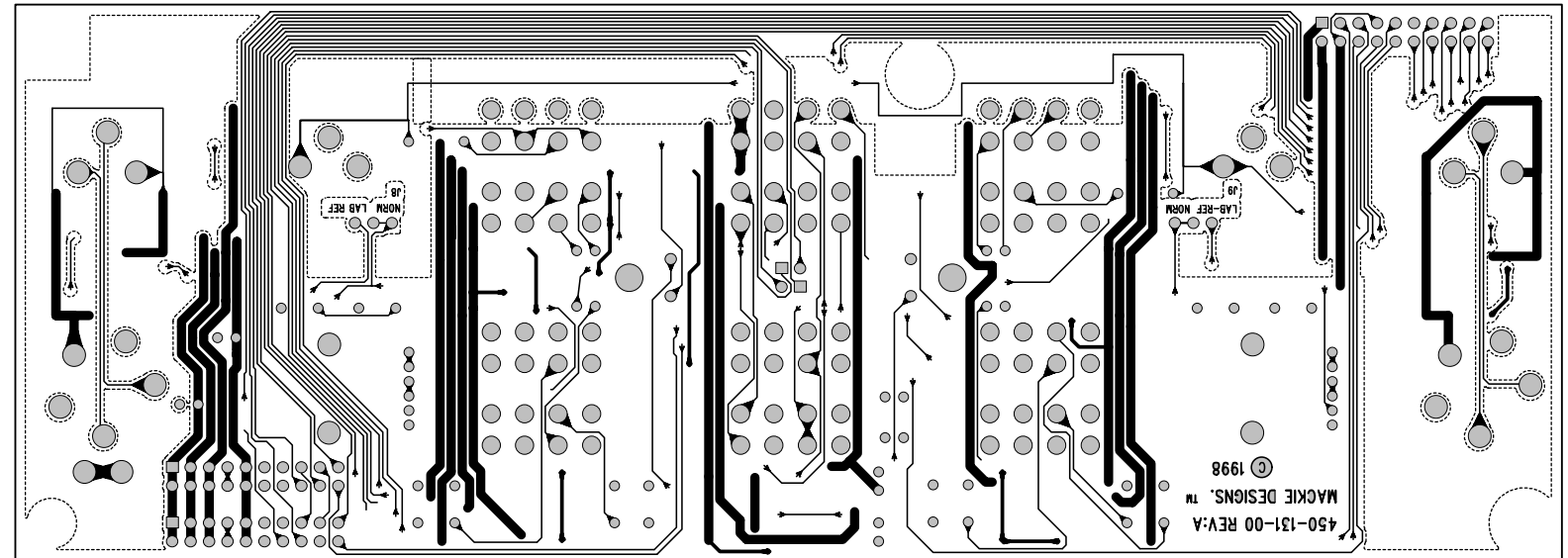
UNLESS OTHERWISE SPECIFIED DIMENSIONS ARE IN INCHES TOLERANCES ARE: FRACTIONS: DECIMALS: ANGLES: ±.NA .XX ±.01 ±.NA .XXX ±.005

DO NOT SCALE DRAWING

**MACKIE**  
Mackie Designs Inc. Woodinville, Wa.

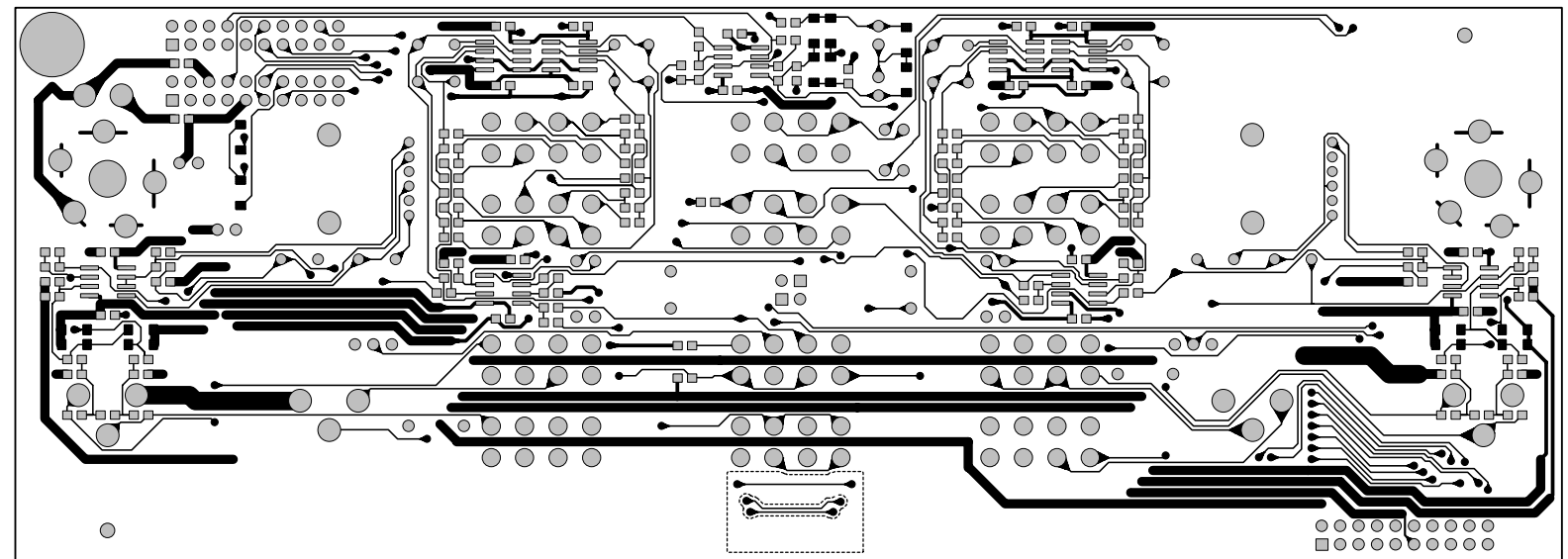
SCHEMATIC, M2600 INPUT BOARD

SIZE: D SCALE: NONE DWG. NO. 990-131-00 REV. A SHEET 1 OF 1



(finely dotted lines show the copper pour boundaries)

Bottom traces



Top traces

