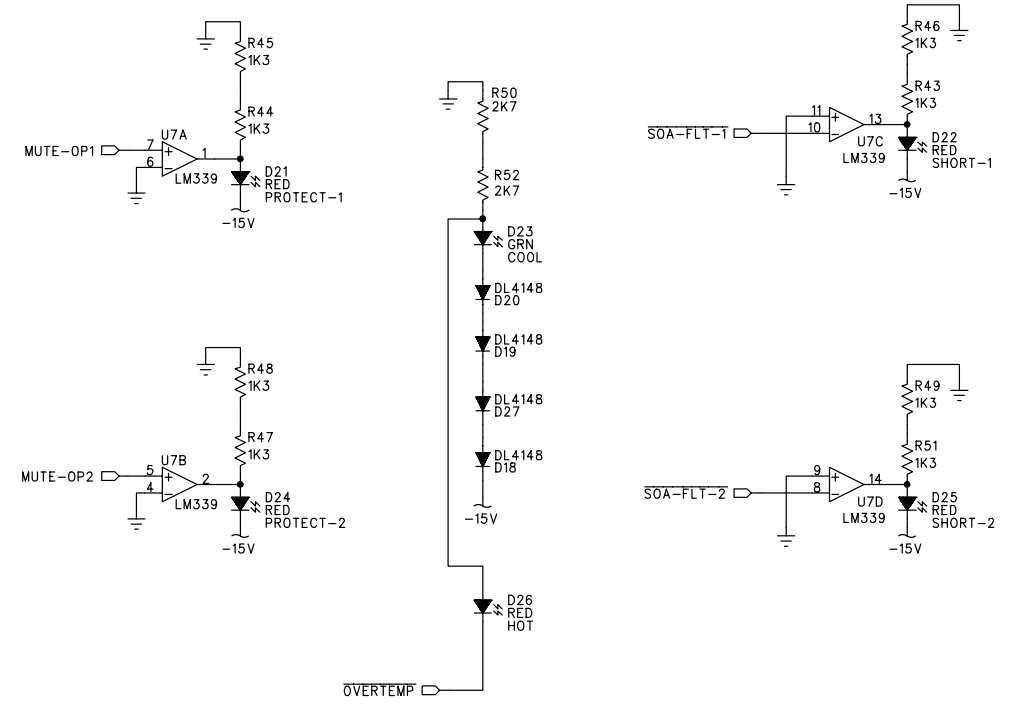


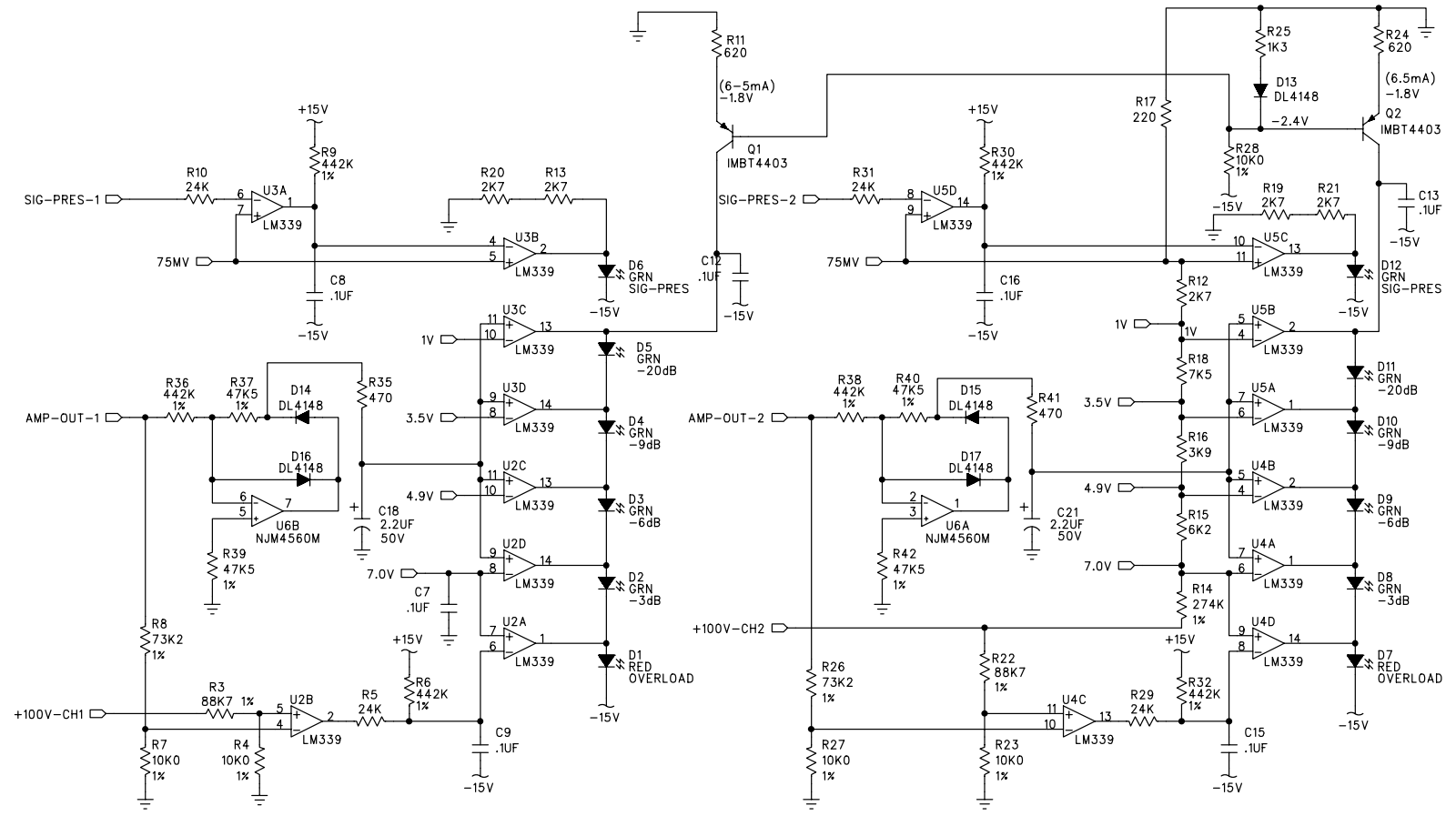
ECO#	REV.	DESCRIPTION	REV. BY:	APP. BY:	DATE
A		RELEASE TO PRODUCTION	TH		9-17-98

AMPLIFIER STATUS INDICATORS

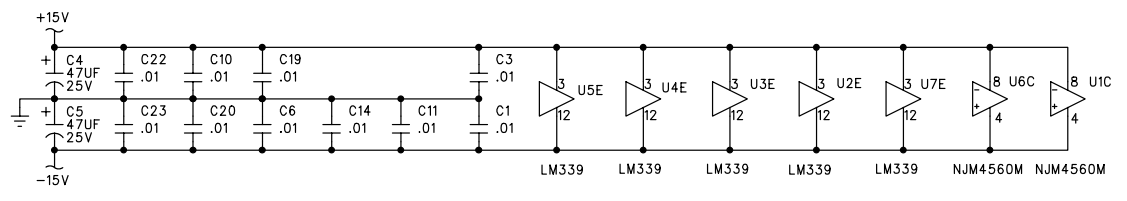
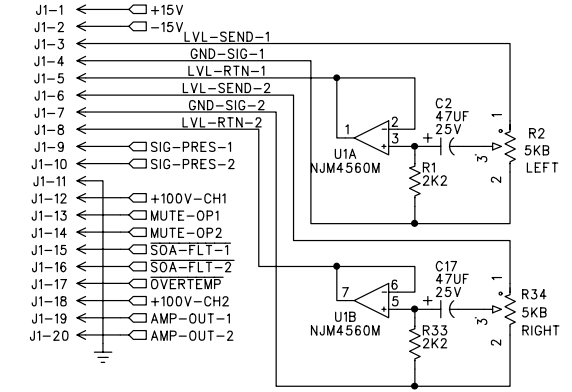


CHANNEL-1 METER

CHANNEL-2 METER



TO INPUT BOARD OUTPUT LEVEL



APPROVALS	DATE
DRAWN: Cameron Jones	1-1-98
CHECKED:	
NP ENG:	
MATERIAL:	
MFG:	
MFG ENG:	
ISSUED:	

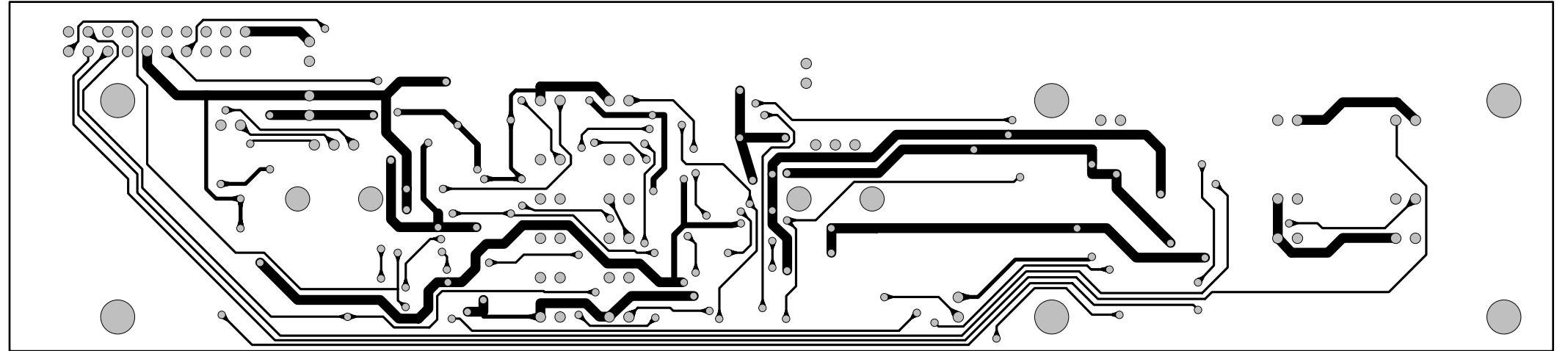


M2600 DISPLAY BOARD

- 706-033-08 STANDOFF, SWAGE, 4-40 X .665L
- 450-132-00 PCB, M2600 DISPLAY

SIZE: D	SCALE: NONE	DWG. NO. 990-132-00	REV. A
DO NOT SCALE DRAWING		DWG. FILE:	SHEET 1 OF 1

Bottom
Traces



Top
Traces

