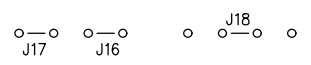


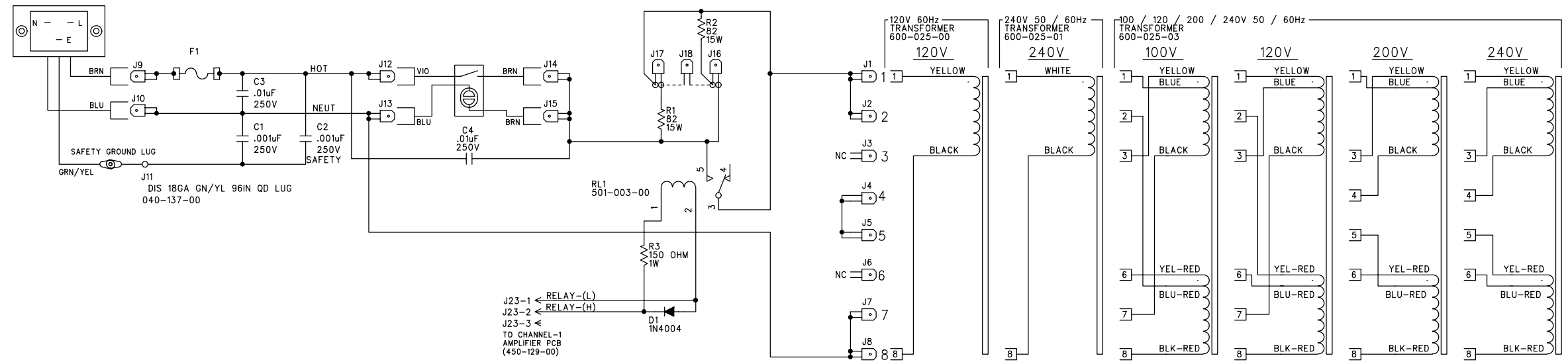
ECO#	REV:	DESCRIPTION	REV. BY:	APP. BY:	DATE
A		RELEASE TO PRODUCTION	TH		9-22-98

INRUSH LIMIT JUMPERS:
100V-120V 200V-240V



DASH	VERSION	QUICK DISC USED
-00	120VAC	J16 AND J17
-01	200 - 240VAC	J18
-02	100VAC	J16 AND J17

DASH	VERSION	FUSE USED (F1)
-00	120VAC	25A SLO-BLO 510-033-00
-01	200 - 240VAC	15A SLO-BLO 510-018-00
-02	100VAC	20A SLO-BLO 510-017-00



- 510-033-00
FUSE 25A SLO-BLO -00 ASSY ONLY
- 510-018-00
FUSE 15A SLO-BLO -01 ASSY ONLY
- 510-017-00
FUSE 20A SLO-BLO -02 ASSY ONLY
- 450-133-00
PCB, M2600 PWR DISTRO & AC-INRUSH
- 400-129-00
FUSE CLIP 0.25 DIA PC MNT

UNLESS OTHERWISE SPECIFIED DIMENSIONS ARE IN INCHES TOLERANCES ARE: FRACTIONS: DECIMALS: ANGLES: ±.NA .XX ±.01 ±.NA .XXX ±.005	APPROVALS	DATE	MACKIE. Mackie Designs Inc. Woodinville, Wa.
	DRAWN: Cameron Jones	1-1-98	
MATERIAL: SEE NOTES	CHECKED:		M2600 PWR DISTRO & INRUSH LIMIT
	NP ENG: Cameron Jones	1-1-98	
FINISH: SEE NOTES	MATERIAL:		SIZE SCALE: DWG. NO. REV. D NONE 990-133-00 A
DO NOT SCALE DRAWING	MFG ENG:		
	ISSUED:		DWG FILE: SHEET 1 OF 1

