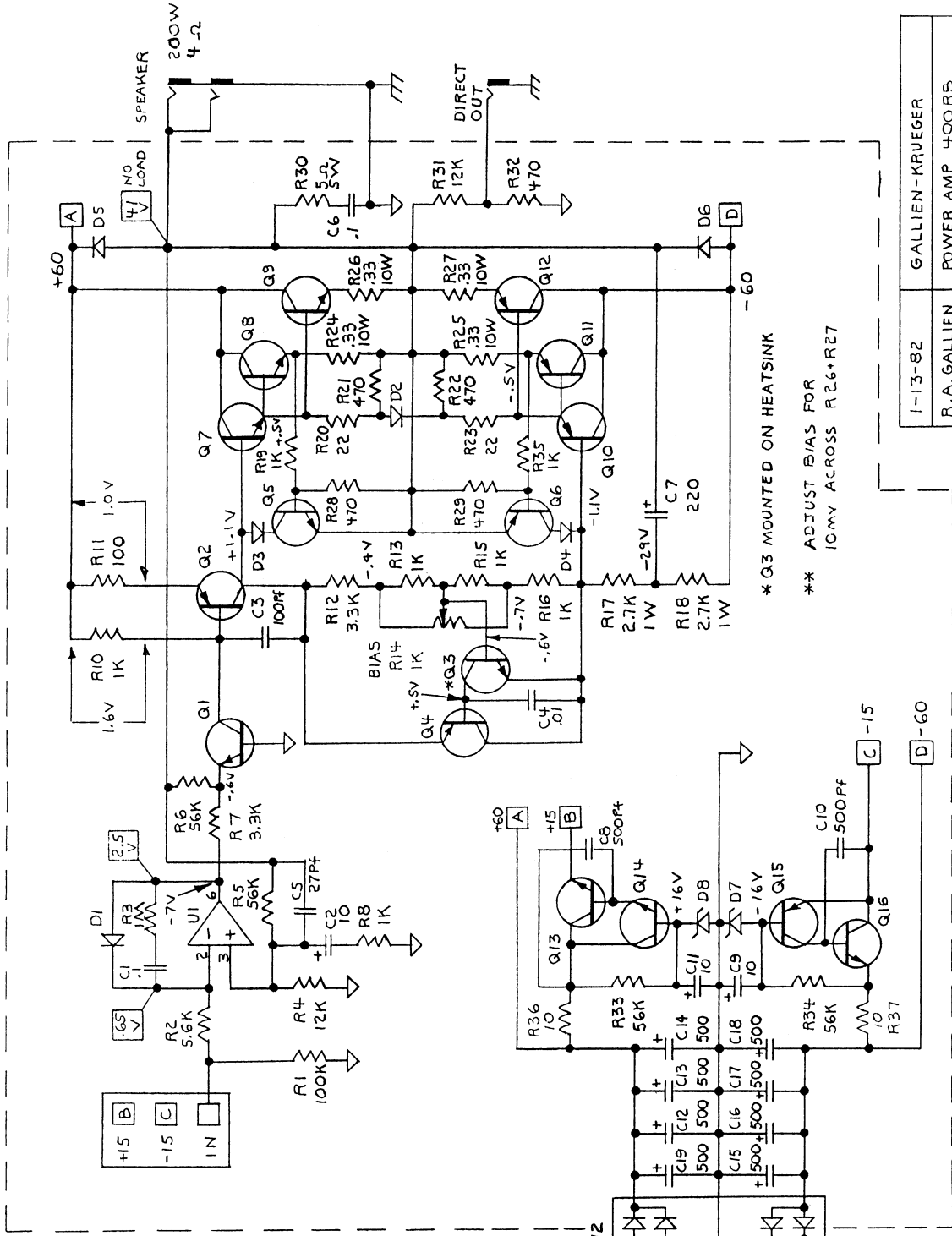
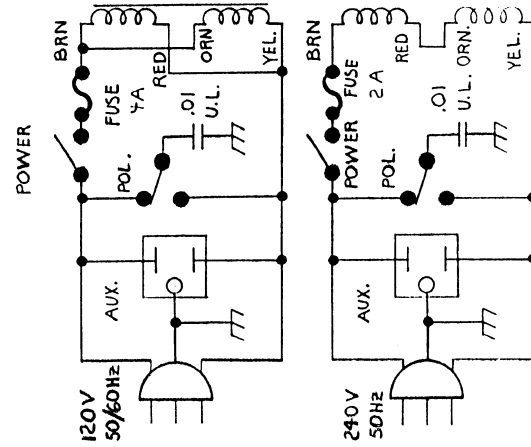


Q1, 3, 5, 14 MPS-A06
 Q2, 10 MJE-15031
 Q4, 6, 15 MPS-A56
 Q7 MJE-15030
 Q8, 9 M3-15001
 Q11, 12 M3-15002
 Q13, 16 TIP-31B

U1 LF351N
 U2 KBPC-602

D1, 2, 3, 4, 5, 6-1N4002
 D7, 8 1N966

R-37
 C19



* Q3 MOUNTED ON HEATSINK

** ADJUST BIAS FOR 10MV ACROSS R26+R27

1-13-82	GALLIEN-KRUEGER
R.A. GALLIEN	POWER AMP 400RS
SN11595	60041A