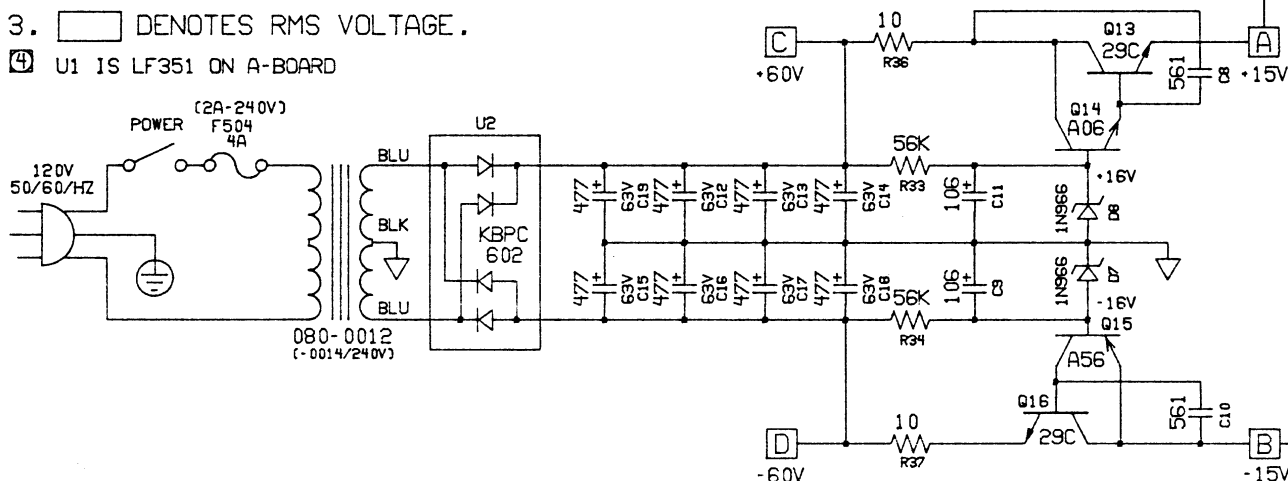


NOTES: UNLESS OTHERWISE SPECIFIED,

- ① Q3 MOUNTED ON HEATSINK
- ② ADJUST BIAS FOR 5MV ACROSS EACH, R26 AND R27
- 3.  DENOTES RMS VOLTAGE.
- ④ U1 IS LF351 ON A-BOARD



GK DOCUMENT #:	PCO#	DATE							
406-0041-C									
GALLIEN-KRUEGER		MODEL #:	DATE:	DESCRIPTION:					
		400RB	4/1/92	POWER AMP, POWER SUPPLY					
SCHMATIC	DBF:	DESIGNED BY:	PART #:	PCO#-DATE:	FROM SN:	TO SN:			
PG: 1 OF: 1	60041C	R.A.G.	0041A, 0041C	-					