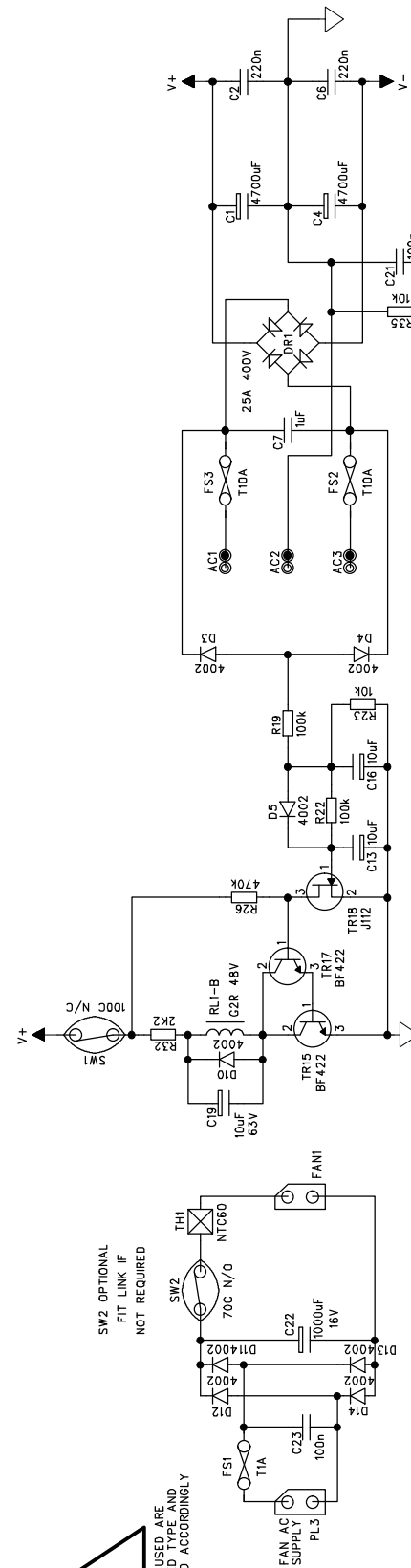
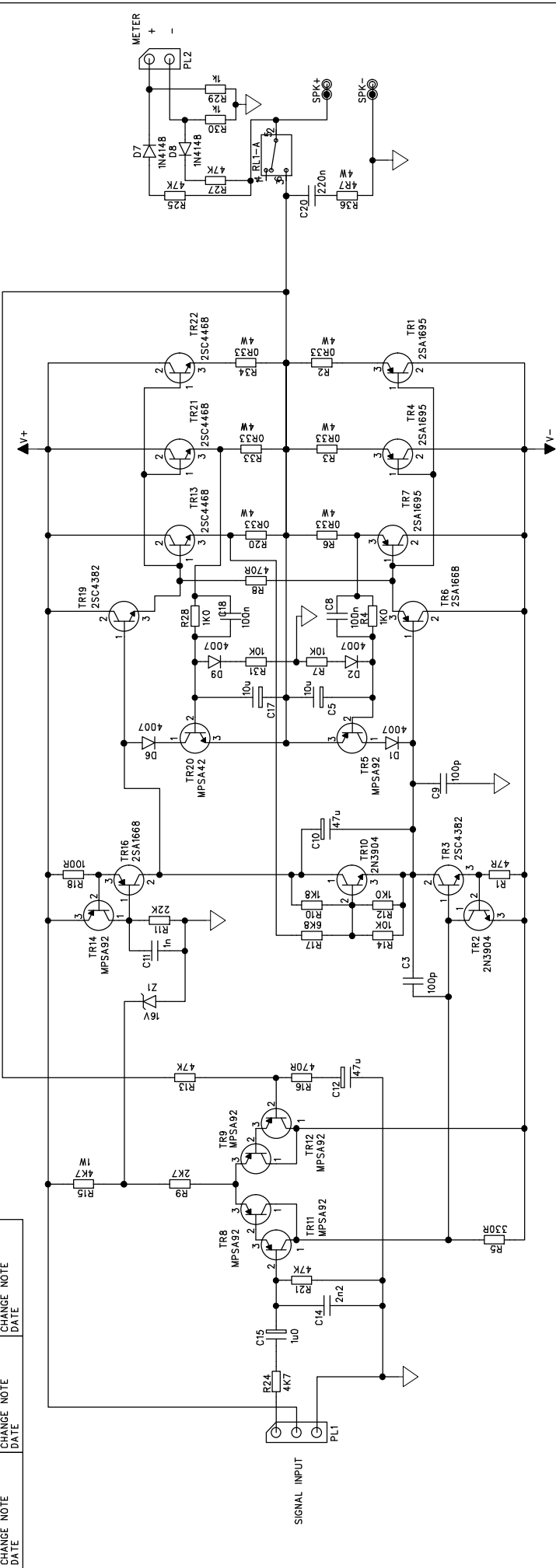


ISSUE CHANGE NOTE DATE	ISSUE CHANGE NOTE DATE	ISSUE CHANGE NOTE DATE	ISSUE CHANGE NOTE DATE



!
COMPONENTS USED ARE OF AN APPROVED TYPE AND MUST BE REPLACED ACCORDINGLY

SW2 OPTIONAL FIT LINK IF NOT REQUIRED

PCB = APC0001
TITLE: ABM OUTPUT BOARD
PROJECT: BASS MAGNIFIER
DRAWING No: ACD033
ISSUE: A, E, G, H, I, J, K, L, M, N, O, P, Q, R, S, T, U, V, W, X, Y, Z
DATE: 04/02
DRAWN BY: CLIVE BUTTON
ENGLAND
TEL
FAX

COMPONENTS SHOWN FOR 400/500 WATT UNIT
FOR 300 WATT UNIT LEAVE OFF:- TR3, TR6, C21, C22