

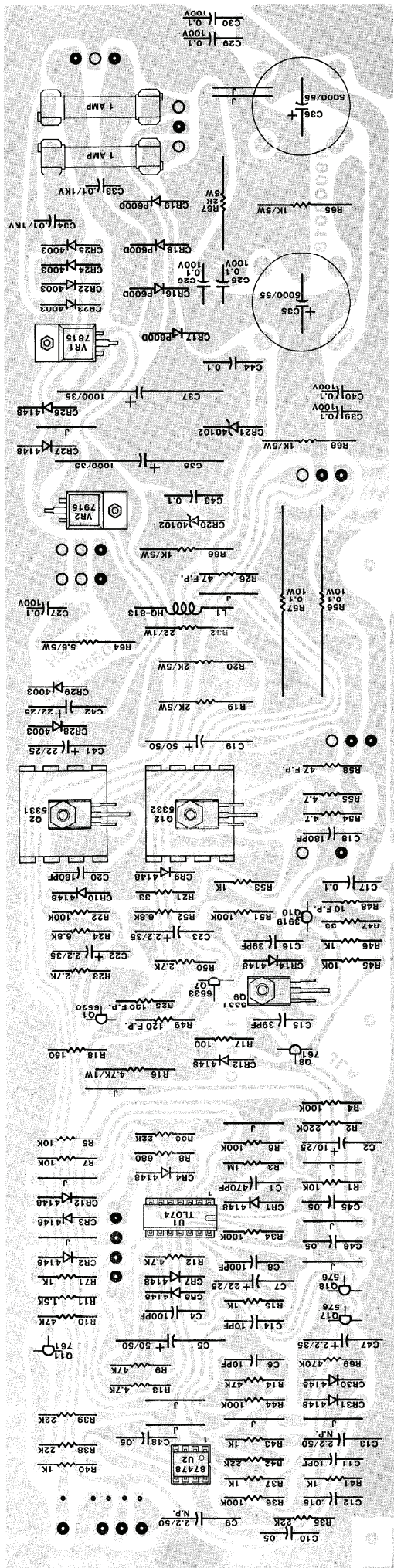
NOTES
 ALL RESISTORS 1/4W UNLESS NOTED
 ALL RESISTORS IN OHMS UNLESS NOTED
 ALL CAPACITORS IN MFD UNLESS NOTED
 ALL DIODES 1N4148 UNLESS NOTED
 LAST REF. DESIGNATOR USED:
 R69 C48 CR31 Q15 U2 VR2
 VOLTAGES MAY VARY FROM UNIT TO UNIT
 CIRCUITRY PATENTS APPLIED FOR AND PENDING

REVISED	2/23/83	KKG
PEAVEY ELECTRONICS CORP.		
MERIDIAN MS.		
DRAWN BY	KEF	DATE 2-16-81
C.B. CHECK	KEF	
CHECK BY	KEF	
APPR. BY	KEF	

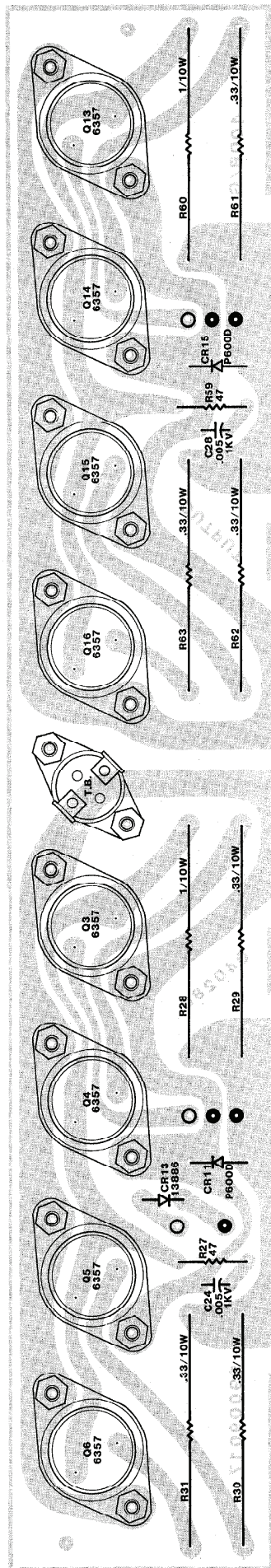
400BH MODULE
 BULB 300 USES T0516740
 (11/22/80)

P/N 81505000

COPYRIGHT 1981 PRINTED IN U.S.A.



400BH DRIVE BD.



400BH OUTPUT BD.