

COMPANY: SWR Sound Corporation		A
9130 Glenoaks Blvd., Sun Valley, CA 91352		
TITLE: Workingman's 12/15/2004 Main PCB (Preamp)		
SIZE: C	Part #170021 Assy #700035	REV: 01
Date: 09FEB03	Engineer:	Drawn by: JY
Filename: wm4004_pre_11a.sch	SHEET: 1 OF 2	

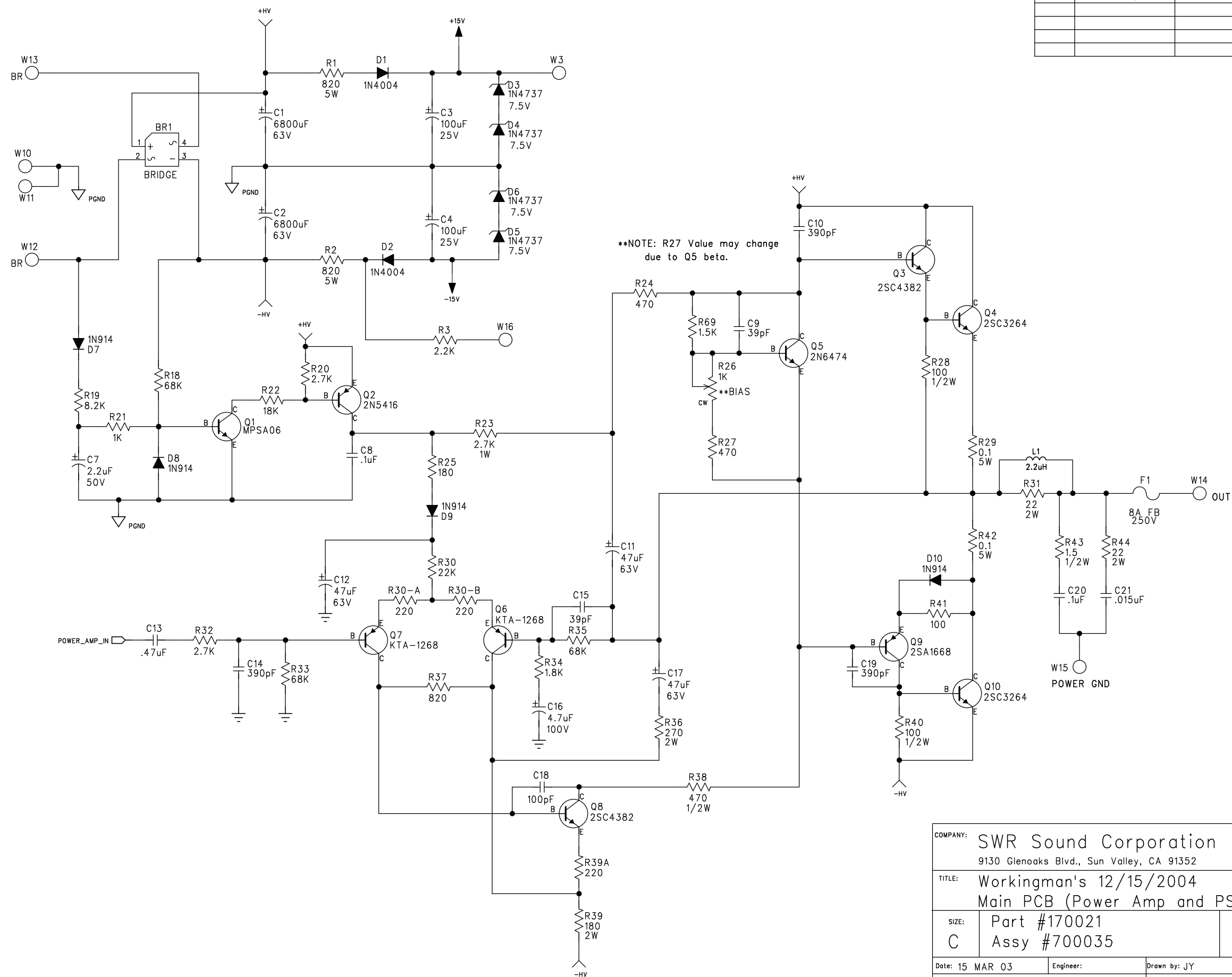
PRELIMINARY

6 5 4 3 2 1

REVISION RECORD			
LTR	ECO NO:	APPROVED:	DATE:

D
C
B
A

D
C
B
A



COMPANY: SWR Sound Corporation		A
9130 Glenoaks Blvd., Sun Valley, CA 91352		
TITLE: Workingman's 12/15/2004 Main PCB (Power Amp and PSU)		
SIZE: Part #170021	REV: 01	
C	Assy #700035	
Date: 15 MAR 03	Engineer:	Drawn by: JY
Filename:	SHEET: 2 OF 2	