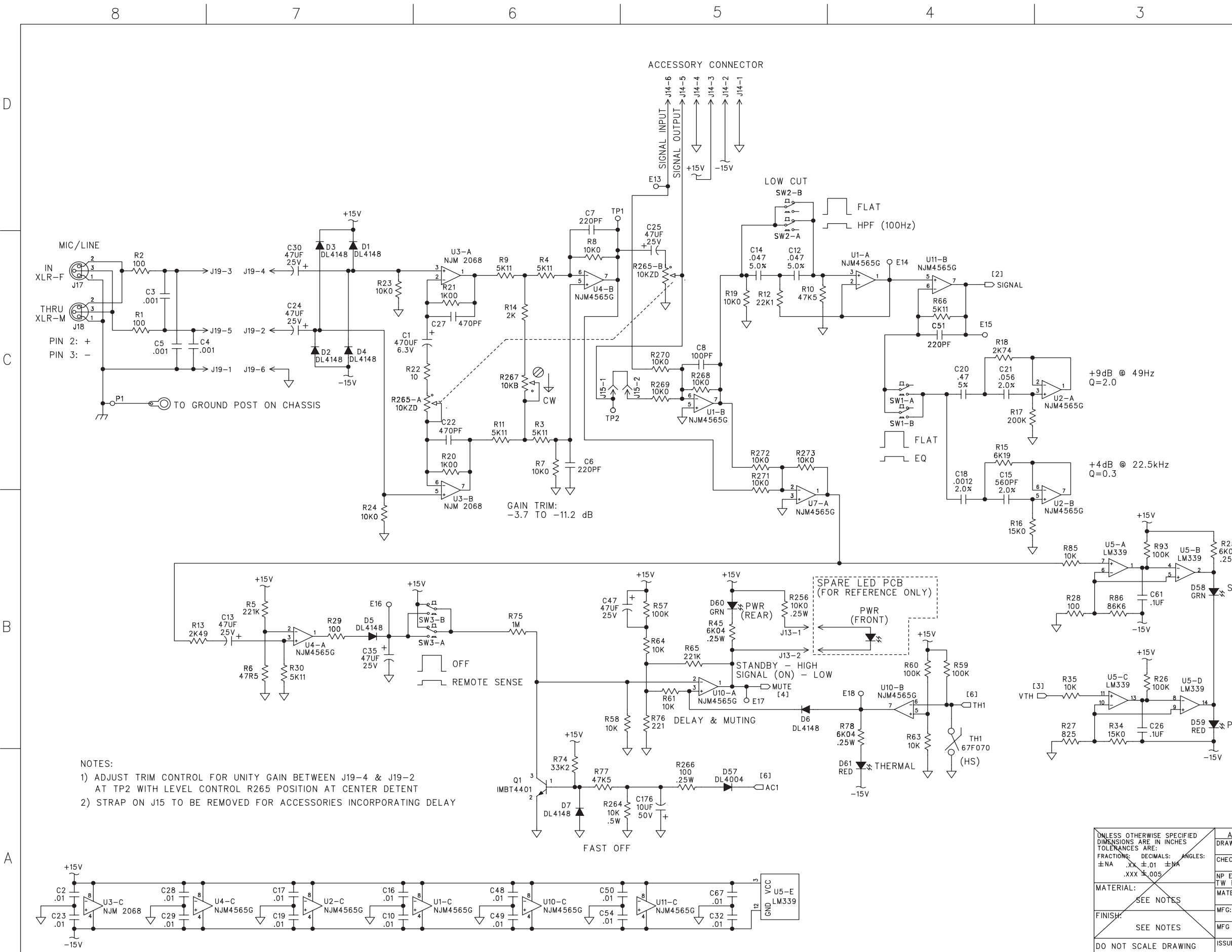
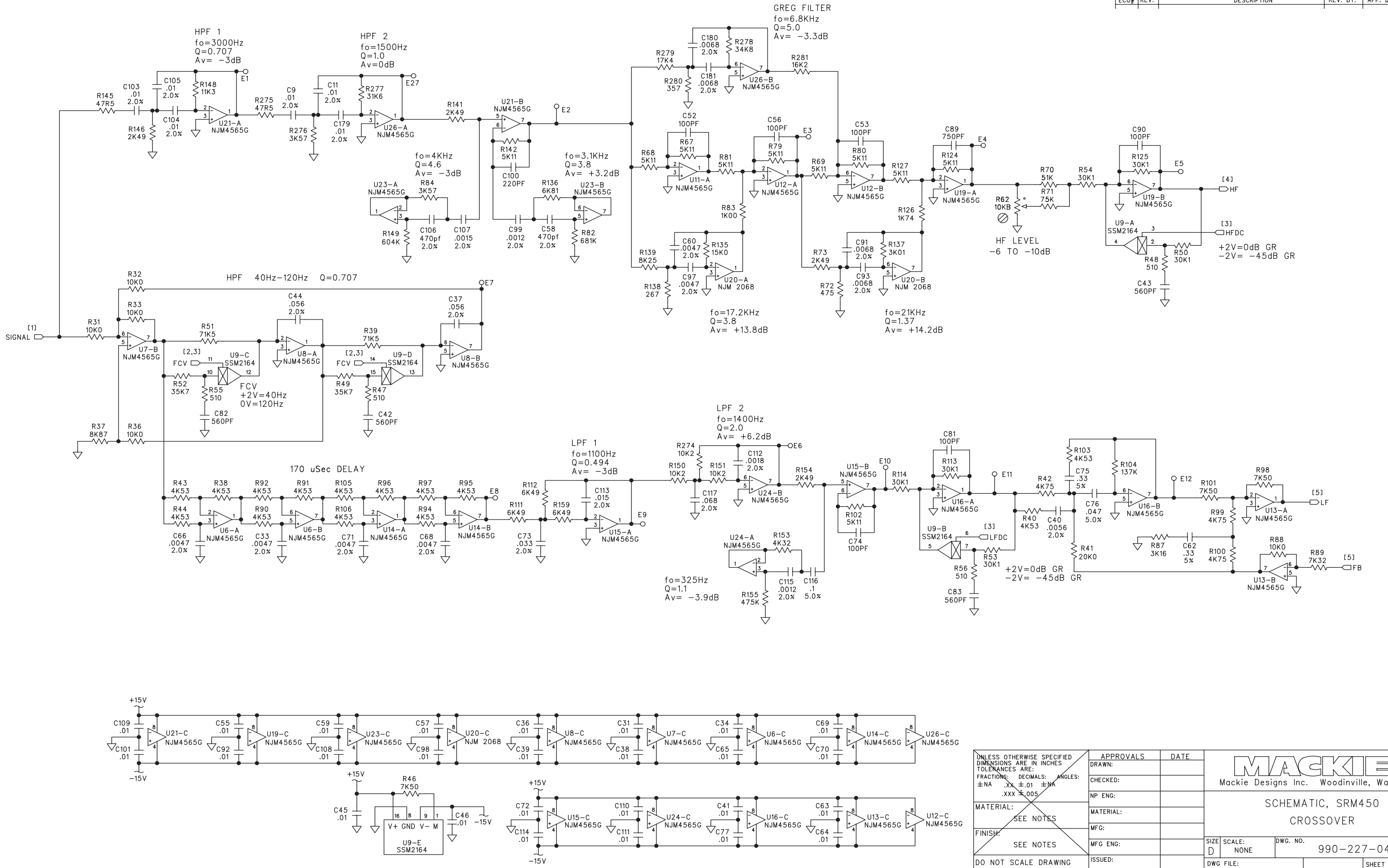


REV:	ECO#	DESCRIPTION	REV. BY:	APP. BY:	DATE
B	2151	CHANGE STANDOFFS	KR		2-11-99
	2156	VALUE CHANGES			
	2169	HORN GAIN CONTROL VALUES			
	2171	LONGER CABLE ASSEMBLY (P1)			
	2203	REMOVE I.E.C. HARDWARE FROM B.O.M.			
	2204	CIRCUITRY/VALUE CHANGES			
C	2222	PERFORMANCE TWEAKS, FIXTURE HOLE SIZES	KR	JW	2-24-99
D	2248	(D) 400-132-00 (A) SA 080-145-00	KR		5-21-01
	2260	(D) 510-013-00 (CHG) LEDS TO -00			
	2261	(A) 3M ADHESIVE TO BOM			
	2281	(CHG) R58 TO 10K (CHG) Q34 & Q35			
	2289	(CHG) R5 TO 221K			
	2309	(D) 400-243-00 (QTY 1)			
	2560	(CHG) 730-003-00 TO 730-038-00			
	2563	UPDATE PCB DECALS 500-037-00			
	2606	(D) Z99 FROM SCHEMATIC			
	2694	(CHG) 205-001-02 TO 200-046-02			
	2699	(CHG) 205-002-02 TO 200-044-02			
	2718	(CHG) 320-012-00 TO 320-020-00			
	2728	REITERATION OF ECO'S 2694 & 2699			
	2741	(CHG) 224-010-00 TO 224-035-00			
	2751	(CHG) 224-015-00 TO 224-036-00			
E	4099	(A) 150-025-00 & 212-025-00 QTY 2 EA (A) CUT-OUT NEAR J14 ECOWDN5693 -- ROLL TO REV:E	TH		9-12-02



NOTES:
 1) ADJUST TRIM CONTROL FOR UNITY GAIN BETWEEN J19-4 & J19-2 AT TP2 WITH LEVEL CONTROL R265 POSITION AT CENTER DETENT
 2) STRAP ON J15 TO BE REMOVED FOR ACCESSORIES INCORPORATING DELAY

UNLESS OTHERWISE SPECIFIED DIMENSIONS ARE IN INCHES TOLERANCES ARE: FRACTIONS: DECIMALS: ANGLES: ±NA .XX ±.01 ±MA .XXX ±.005	APPROVALS	DATE	 Mackie Designs Inc. Woodinville, Wa.
	DRAWN: KR	9-4-98	
	CHECKED:		
	NP ENG: TW FOR C PERKINS	1-8-99	
MATERIAL:			SCHEMATIC, SRM450 INPUT
FINISH:			
DO NOT SCALE DRAWING	ISSUED: LEIGH	1-8-99	SIZE: D SCALE: NONE DWG. NO. 990-227-04 REV. E DWG FILE: SHEET 1 OF 6

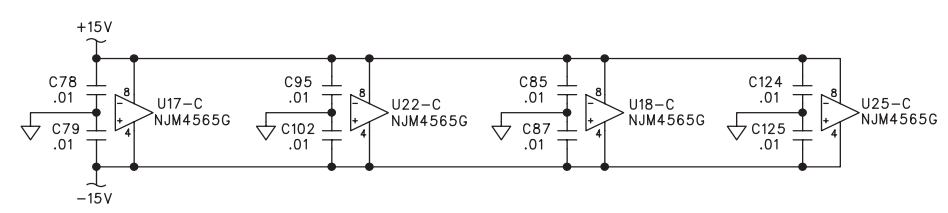
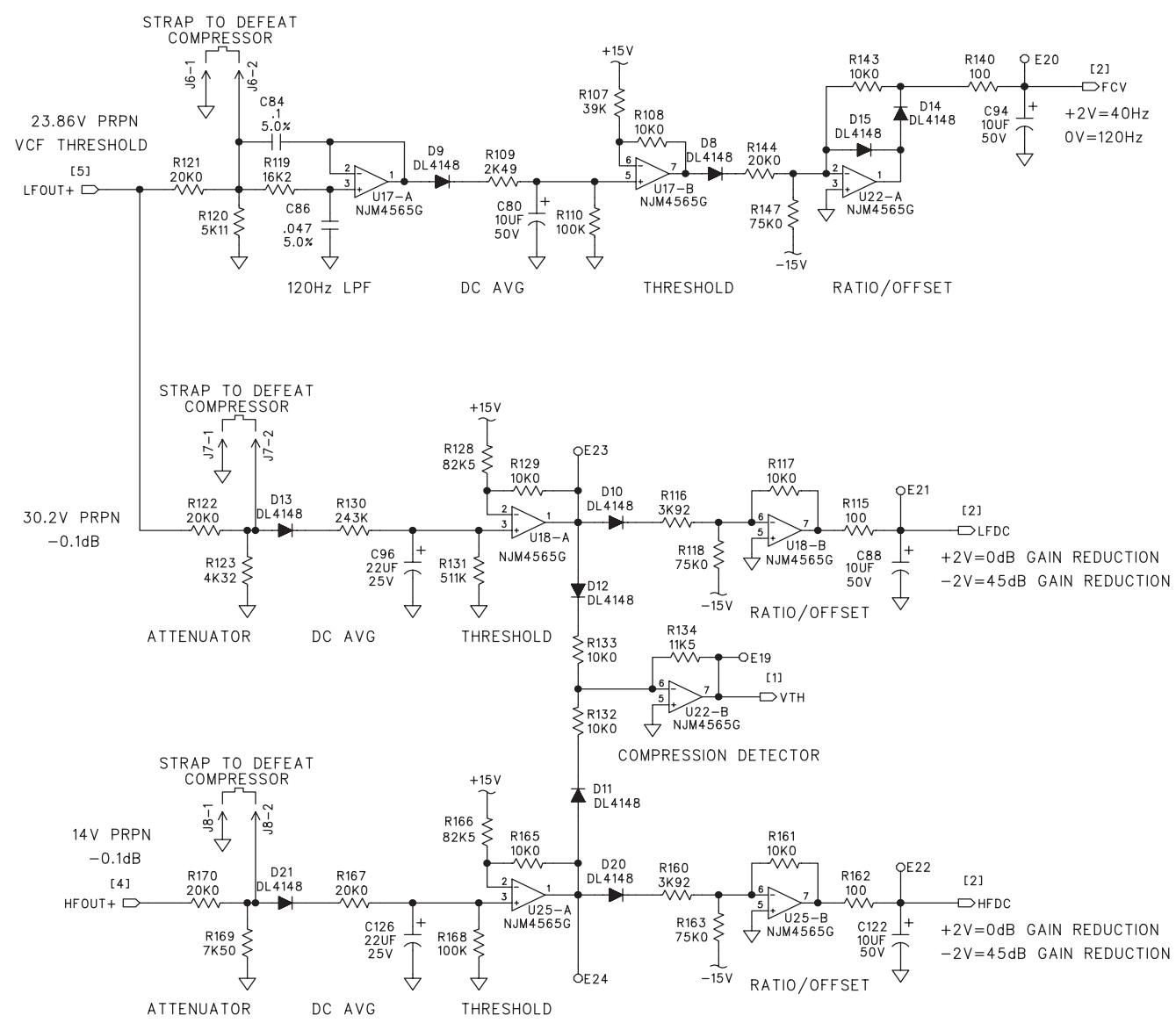


APPROVALS		DATE
DRAWN:		
CHECKED:		
NP ENG:		
MATERIAL:		
MFG:		
MFG ENG:		
ISSUED:		

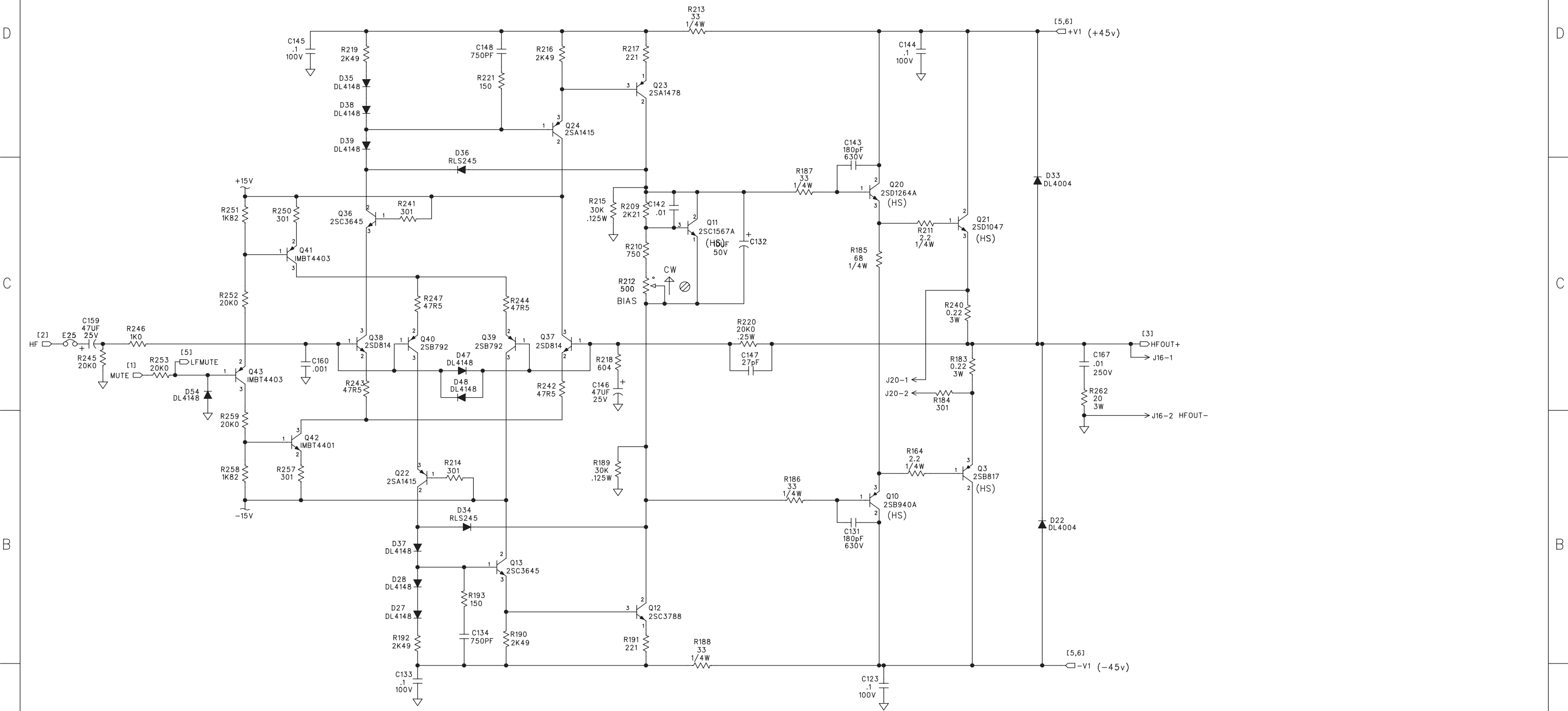
MACKIE
Mackie Designs Inc. Woodinville, Wa.

SCHEMATIC, SRM450
CROSSOVER

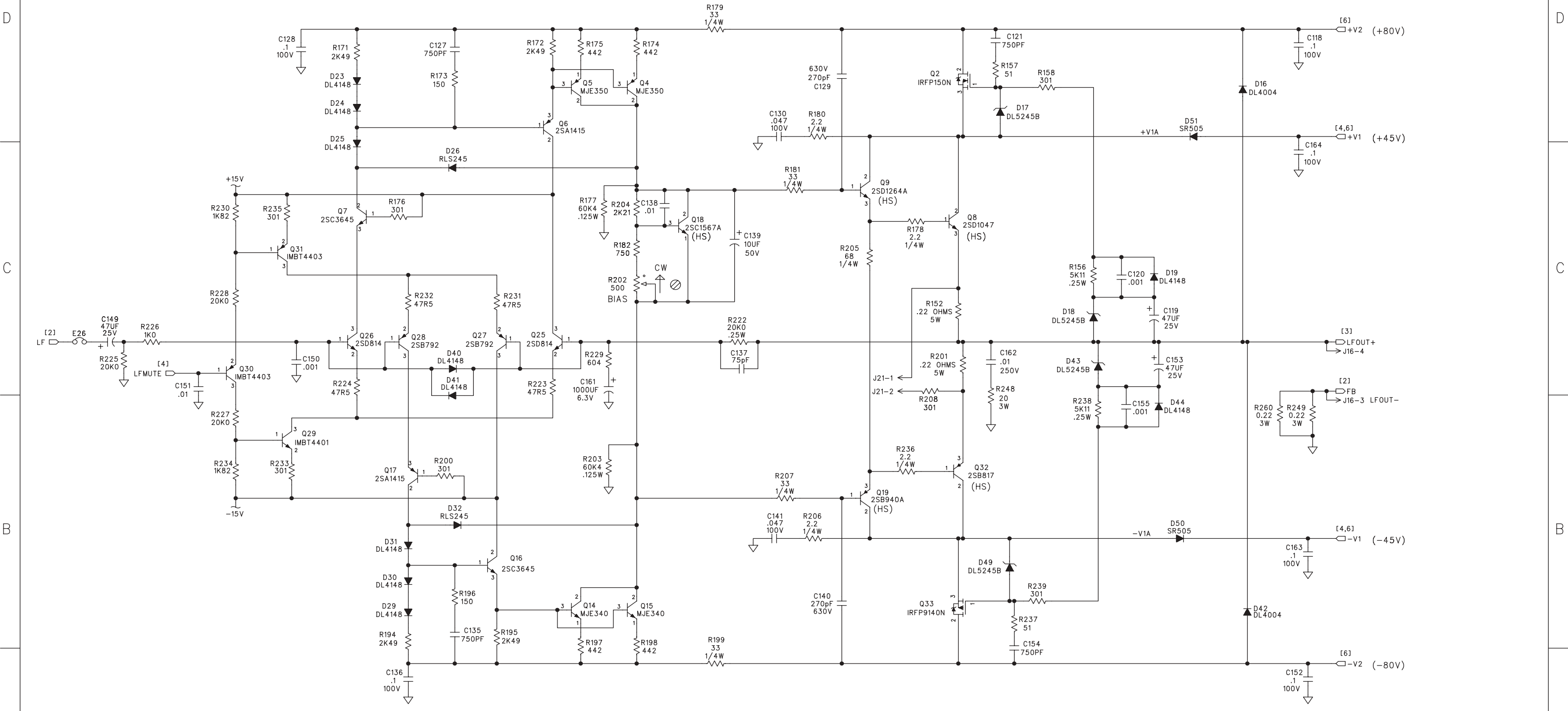
SIZE	SCALE:	DWG. NO.	REV.
D	NONE	990-227-04	E
DWG FILE:		SHEET 2 OF 6	



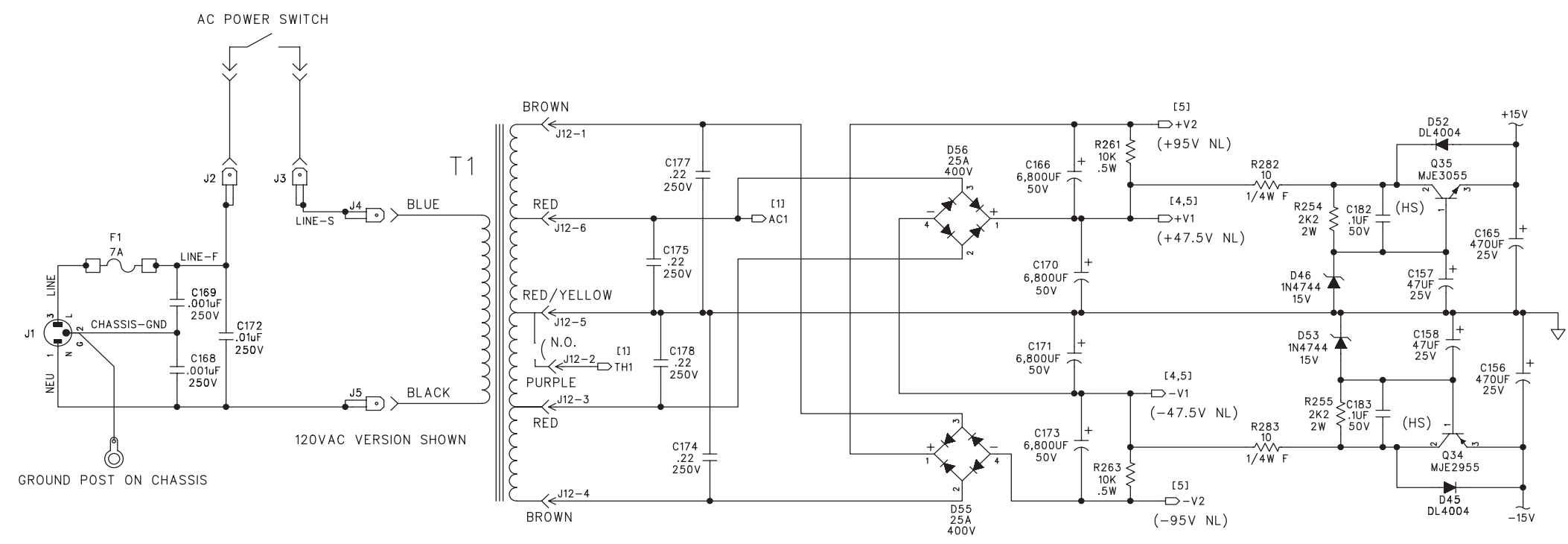
UNLESS OTHERWISE SPECIFIED DIMENSIONS ARE IN INCHES TOLERANCES ARE: FRACTIONS: DECIMALS: ANGLES: ±NA .XX ±.01 ±MA .XXX ±.005	APPROVALS	DATE	 Mackie Designs Inc. Woodinville, Wa.
	DRAWN:		
	CHECKED:		
	NP ENG:		
MATERIAL:	MATERIAL:		SCHEMATIC, SRM450 CONTROL CIRCUITS
SEE NOTES	MFG:		
FINISH:	MFG ENG:		SIZE D SCALE: NONE DWG. NO. 990-227-04 REV. E
DO NOT SCALE DRAWING	ISSUED:		DWG FILE: SHEET 3 OF 6



UNLESS OTHERWISE SPECIFIED DIMENSIONS ARE IN INCHES TOLERANCES ARE: FRACTIONS: DECIMALS: ANGLES: \pm NA .XX \pm .01 \pm NA .XXX \pm .005 MATERIAL: SEE NOTES FINISH: SEE NOTES DO NOT SCALE DRAWING	APPROVALS	DATE	 Mackie Designs Inc. Woodinville, Wa.	
	DRAWN:			SCHEMATIC, SRM450 HIGH FREQUENCY AMP
	CHECKED:			
	NP ENG:			
	MATERIAL:		SIZE D SCALE: NONE DWG. NO. 990-227-04 REV. E DWG FILE: SHEET 4 OF 6	

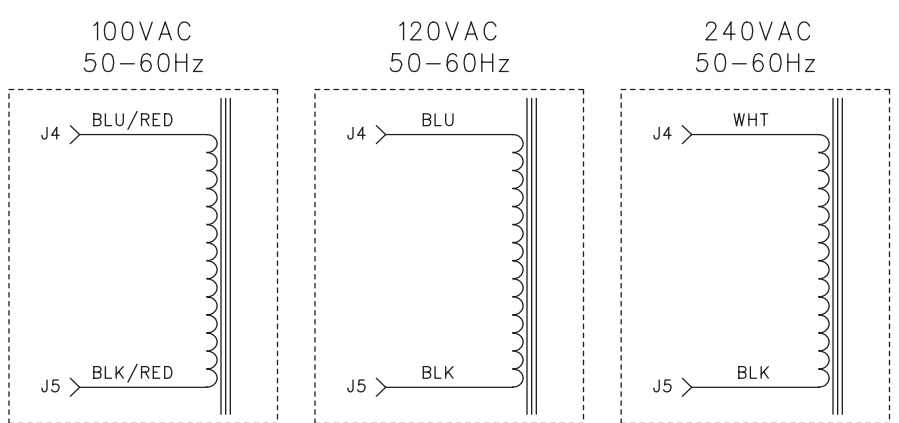


UNLESS OTHERWISE SPECIFIED DIMENSIONS ARE IN INCHES TOLERANCES ARE: FRACTIONS: DECIMALS: ANGLES: ±NA .XX ±.01 ±MA .XXX ±.005	APPROVALS	DATE	Mackie Designs Inc. Woodinville, Wa.
	DRAWN:		
	CHECKED:		
	NP ENG:		
MATERIAL:	MATERIAL:		SCHEMATIC, SRM450 LOW FREQUENCY AMP
SEE NOTES	MFG:		
FINISH:	MFG ENG:		SIZE: D SCALE: NONE DWG. NO. 990-227-04 REV. E
DO NOT SCALE DRAWING	ISSUED:		DWG FILE: SHEET 5 OF 6

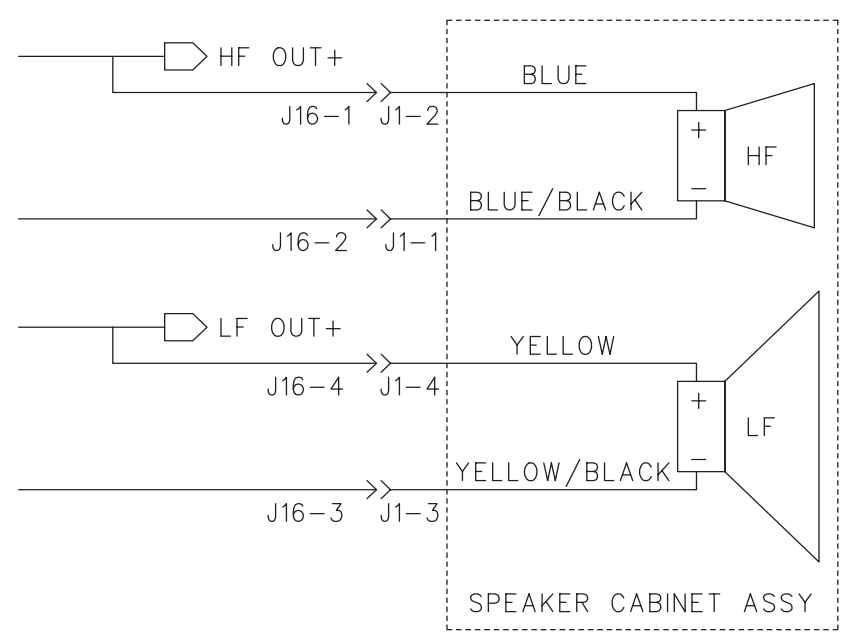


FUSE VALUE CHART

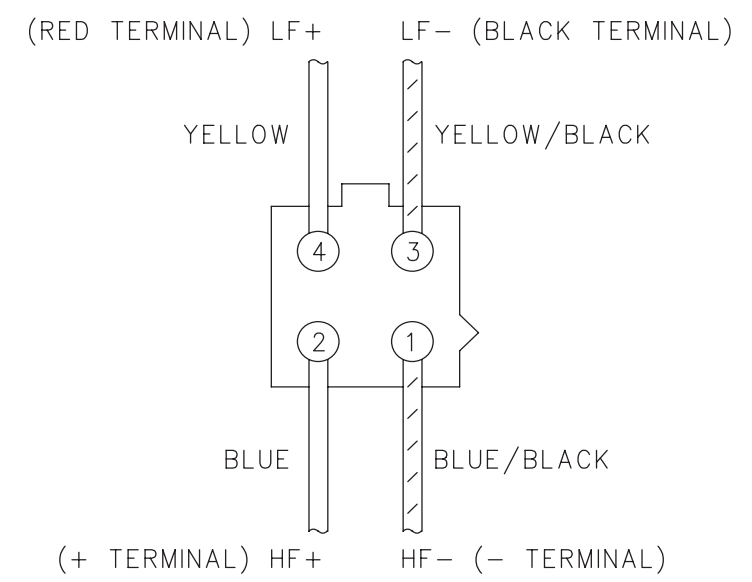
MAINS	F1
100VAC	9A
120VAC	7A
240VAC	3.5A



POWER TRANSFORMER PRIMARY WIRING



SPEAKER CABINET ASSY



TOP VIEW OF FEMALE (WIRE END) CONNECTOR WIRING

- BSW1 760-107-00 BTN 2 COLOR 9X5MM
- BSW2 760-107-00 BTN 2 COLOR 9X5MM
- BSW3 760-107-00 BTN 2 COLOR 9X5MM
- Z101 450-227-01 PCB SRM450 AMPLIFIER
- Z102 400-139-00 SHUNT 2P .100
- FC1 400-060-00 FUSE CLIP PCMT 5MM DIA
- FC2 400-060-00 FUSE CLIP PCMT 5MM DIA
- Z104 712-062-00 BRKT ANG 6-32 ONE HOLE
- Z103 712-021-01 RVT CL END .125X.062-.125
- Z105 730-038-00 JET MELT 3M 3779-Q
- S01 706-033-10 STDF SWAGE NO.4 X .527L F
- S02 706-033-10 STDF SWAGE NO.4 X .527L F
- S03 706-033-10 STDF SWAGE NO.4 X .527L F

UNLESS OTHERWISE SPECIFIED DIMENSIONS ARE IN INCHES TOLERANCES ARE: FRACTIONS: DECIMALS: ANGLES: ±NA .XX ±.01 ±NA .XXX ±.005	APPROVALS	DATE	<p>Mackie Designs Inc. Woodinville, Wa.</p>
	CHECKED:		
	NP ENG:		
	MATERIAL:		
SEE NOTES	MATERIAL:		SCHEMATIC, SRM450 POWER SUPPLY
SEE NOTES	MFG:		
DO NOT SCALE DRAWING	MFG ENG:		SIZE: D SCALE: NONE
	ISSUED:		DWG. NO. 990-227-04 REV. E
			DWG FILE: SHEET 6 OF 6