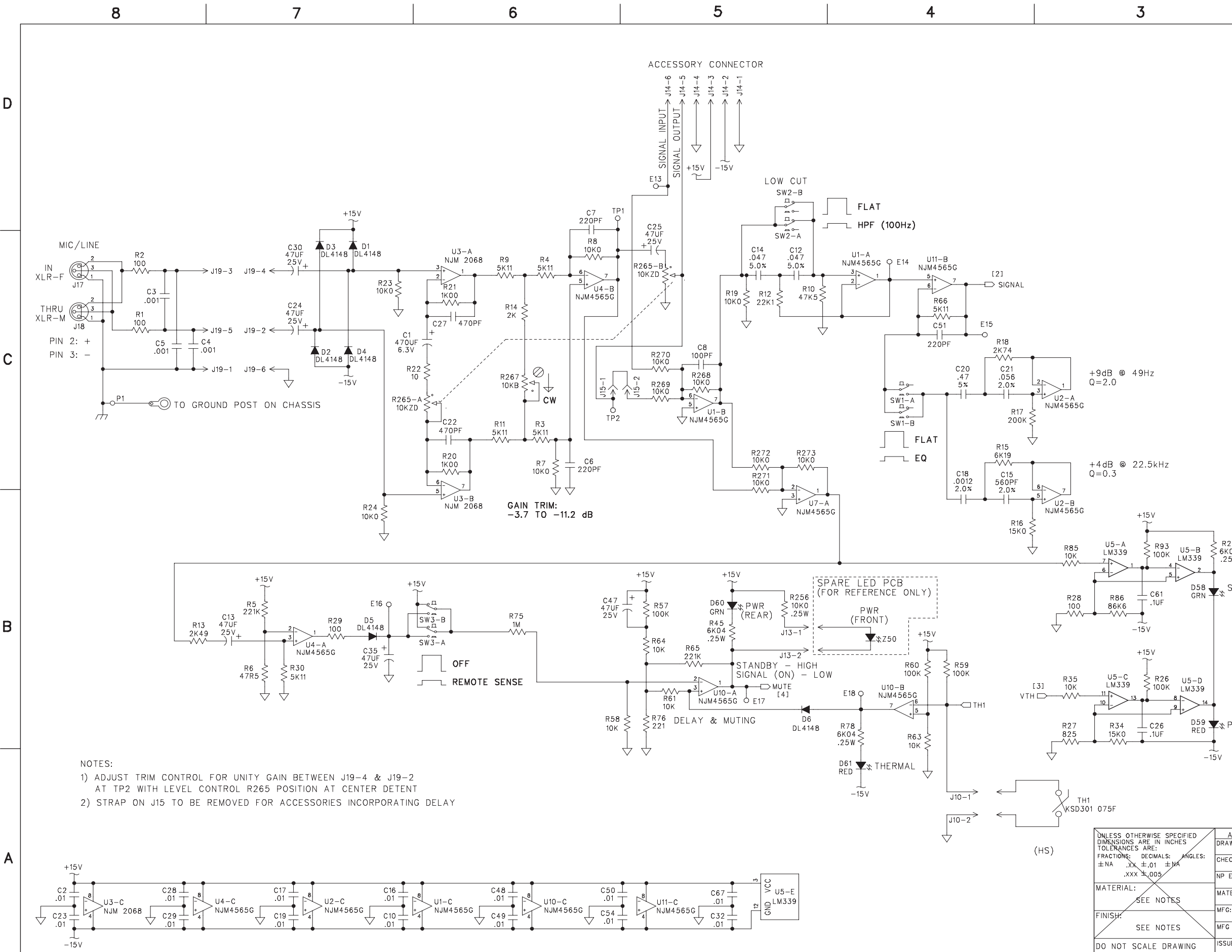


DWG. NO.	SHT	REV:	1	A00	1
REV:	ECO#	DESCRIPTION	REV. BY:	DATE	
A00	ECOCHN0260	INITIAL RELEASE TO PRODUCTION	JEFF	14-12-07	



- NOTES:
- 1) ADJUST TRIM CONTROL FOR UNITY GAIN BETWEEN J19-4 & J19-2 AT TP2 WITH LEVEL CONTROL R265 POSITION AT CENTER DETENT
  - 2) STRAP ON J15 TO BE REMOVED FOR ACCESSORIES INCORPORATING DELAY

UNLESS OTHERWISE SPECIFIED DIMENSIONS ARE IN INCHES TOLERANCES ARE:	APPROVALS	DATE
FRACTIONS: DECIMALS: ANGLES:	DRAWN: JEFF	13-12-07
±NA .XX ±.01 ±MA .XXX ±.005	CHECKED:	
MATERIAL:	NP ENG:	
FINISH:	MATERIAL:	
DO NOT SCALE DRAWING	MFG:	
	MFG ENG:	
	ISSUED: LEIGH	1-8-99

<b>MACKIE</b> Mackie Designs Inc. Woodinville, Wa.	
SCHEMATIC, SRM450 AMP	
SIZE: D	SCALE: NONE
DWG. NO. 0029446-00(120V) 0029446-01(240V)	REV. A00
DWG FILE:	SHEET 1 OF 5

REV:	ECO#	DESCRIPTION	REV. BY:	DATE
A00	ECOCHN0260	INITIAL RELEASE TO PRODUCTION	JEFF	14-12-07

D

D

C

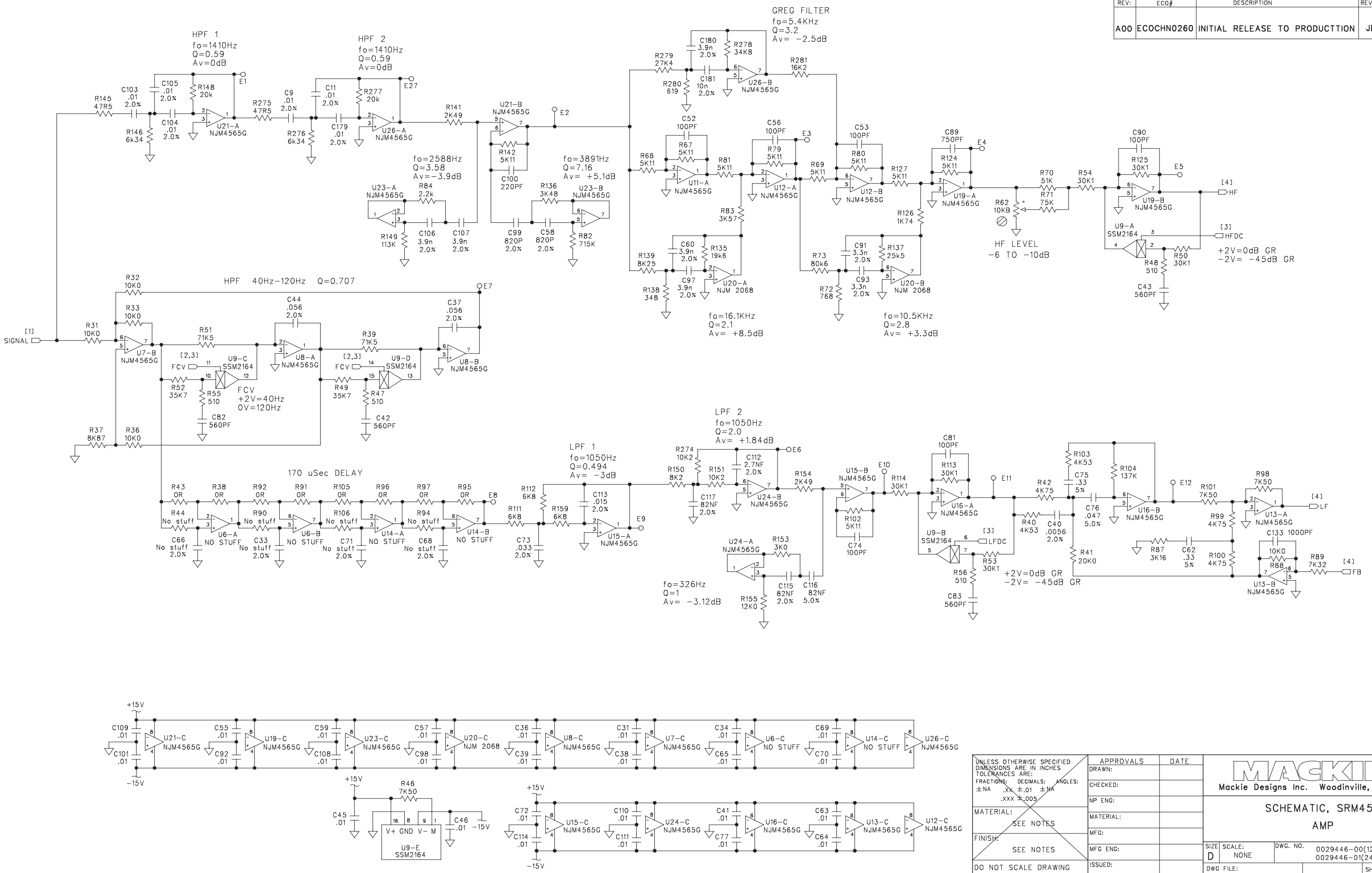
C

B

B

A

A



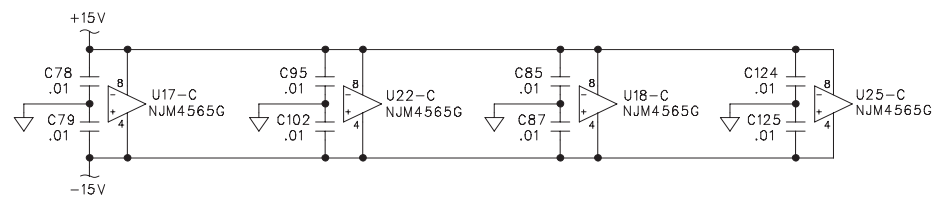
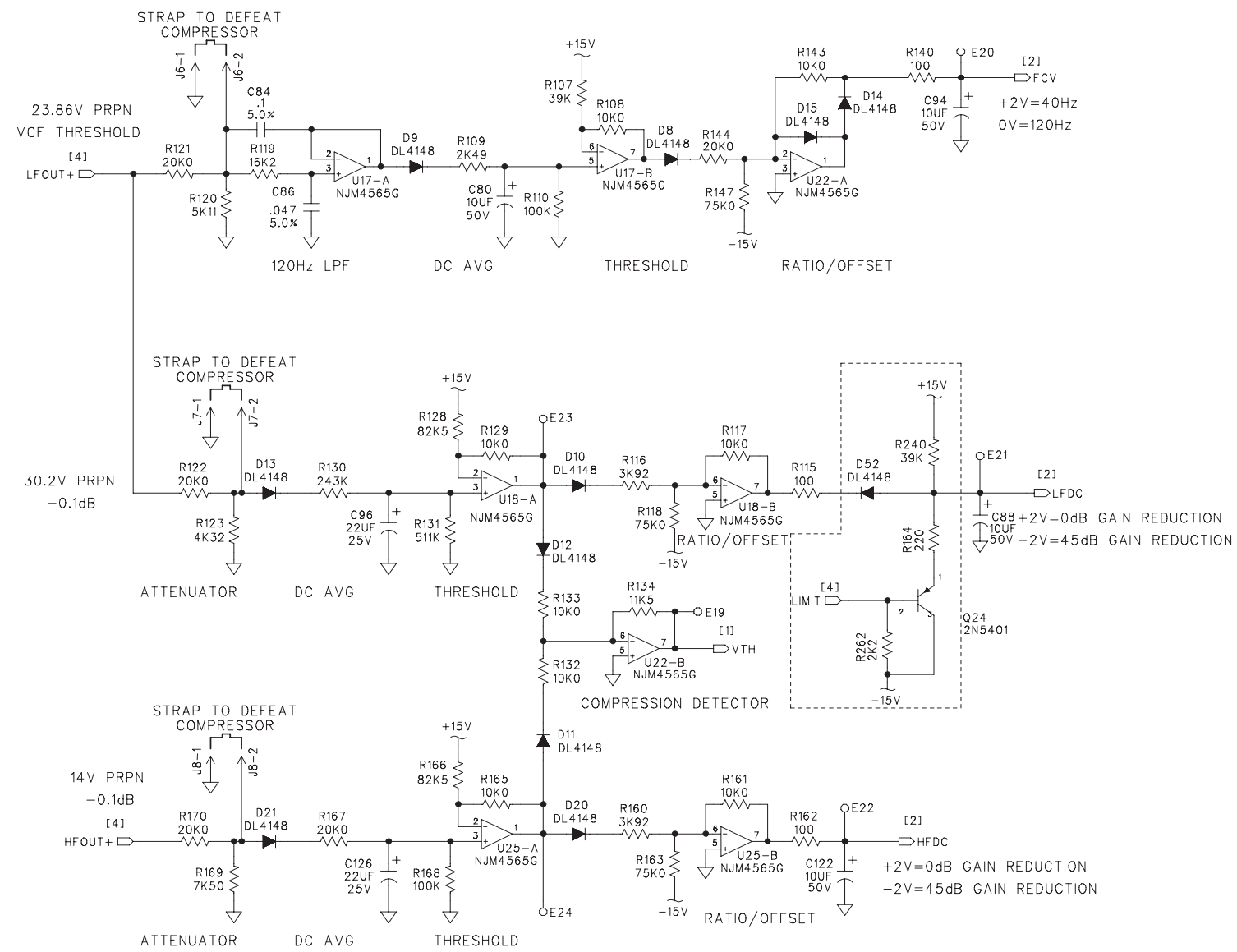
APPROVALS	DATE

**MACKIE**  
Mackie Designs Inc. Woodinville, Wa.

**SCHEMATIC, SRM450**  
**AMP**

SIZE: D	SCALE: NONE	DWG. NO. 0029446-00(120V) 0029446-01(240V)	REV. A00
DWG FILE:		SHEET 2 OF 5	

DWG. NO.	SHT	REV:	1
	3	A00	
REV:	ECO#	DESCRIPTION	REV. BY: DATE
A00	ECOCHN0260	INITIAL RELEASE TO PRODUCTION	JEFF 14-12-07



UNLESS OTHERWISE SPECIFIED DIMENSIONS ARE IN INCHES TOLERANCES ARE: FRACTIONS: DECIMALS: ANGLES: ±NA .XX ±.01 ±MA .XXX ±.005	APPROVALS	DATE	
	DRAWN:		
MATERIAL: SEE NOTES	NP ENG:		SCHEMATIC, SRM450 AMP
	MATERIAL:		
FINISH: SEE NOTES	MFG:		SIZE: D SCALE: NONE DWG. NO. 0029446-00(120V) 0029446-01(240V) REV. A00
	MFG ENG:		
DO NOT SCALE DRAWING	ISSUED:		DWG FILE: SHEET 3 OF 5

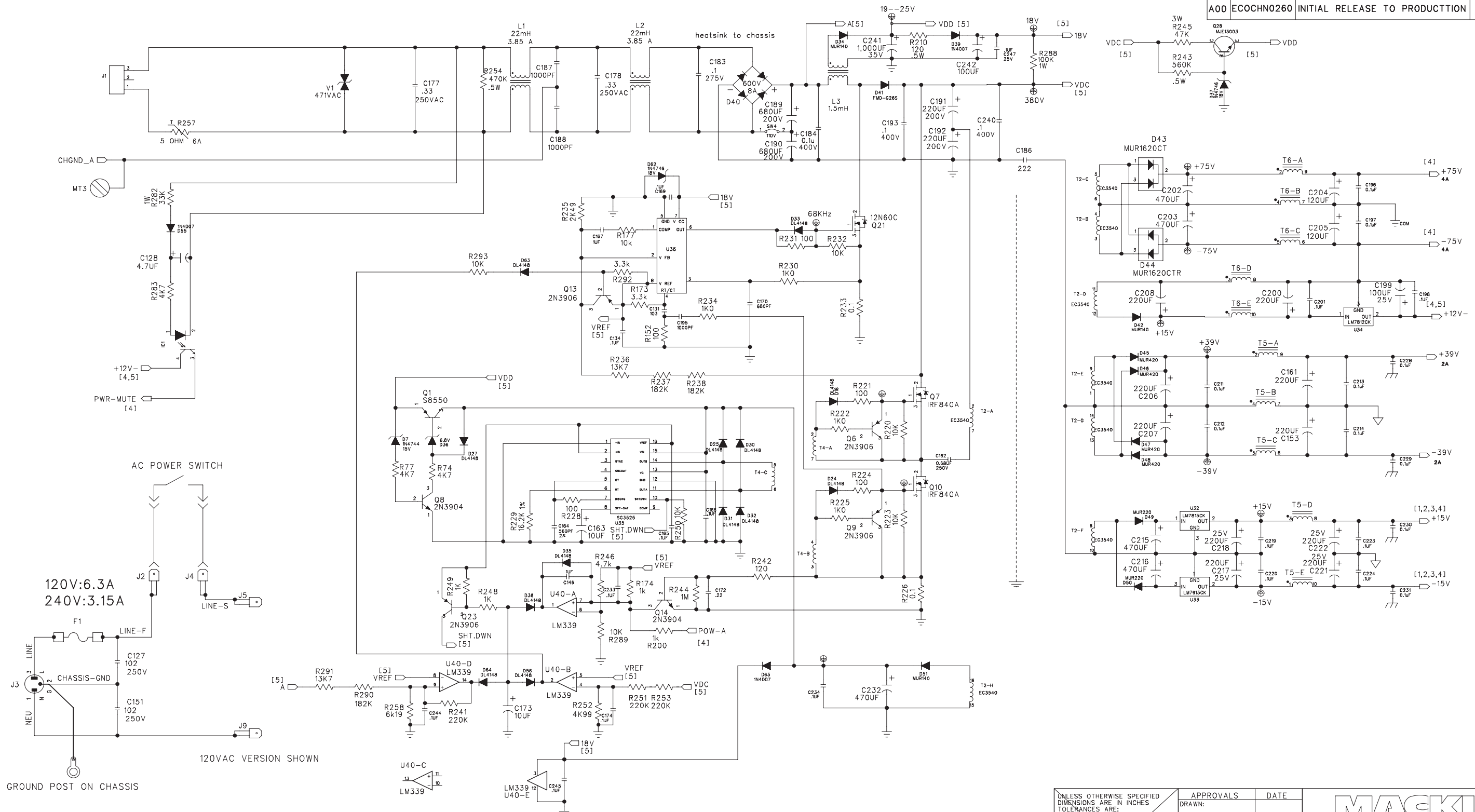




REV:	ECO#	DESCRIPTION	REV. BY:	DATE
A00	ECOCHN0260	INITIAL RELEASE TO PRODUCTION	JEFF	14-12-07

D  
C  
B  
A

D  
C  
B  
A

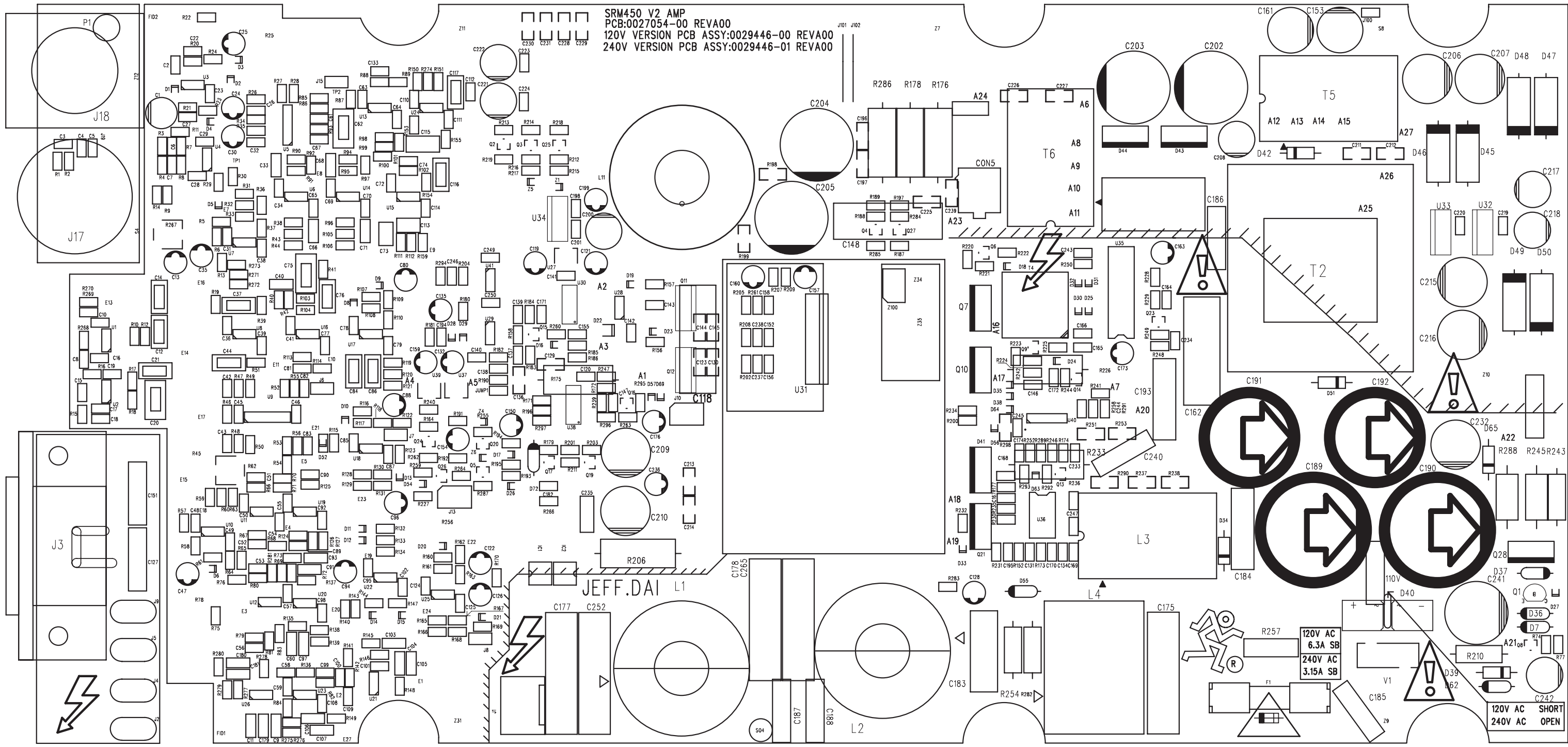


UNLESS OTHERWISE SPECIFIED DIMENSIONS ARE IN INCHES TOLERANCES ARE:	APPROVALS	DATE
FRACTIONS: DECIMALS: ANGLES:	DRAWN:	
±NA .XX ±.01 ±NA .XXX ±.005	CHECKED:	
MATERIAL:	NP ENG:	
SEE NOTES	MATERIAL:	
FINISH:	MFG:	
SEE NOTES	MFG ENG:	
DO NOT SCALE DRAWING	ISSUED:	

**MACKIE**  
Mackie Designs Inc. Woodinville, Wa.

**SCHEMATIC, SRM450  
AMP**

SIZE: D	SCALE: NONE	DWG. NO. 0029446-00(120V) 0029446-01(240V)	REV. A00
DWG FILE:		SHEET 5 OF 5	

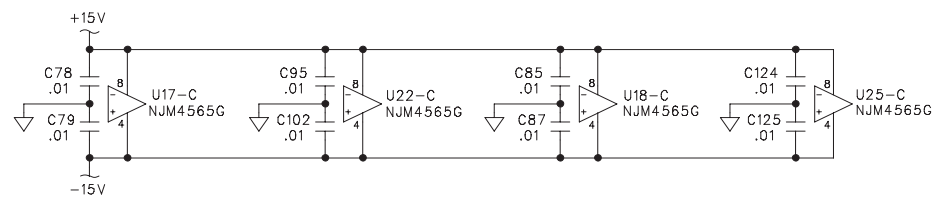
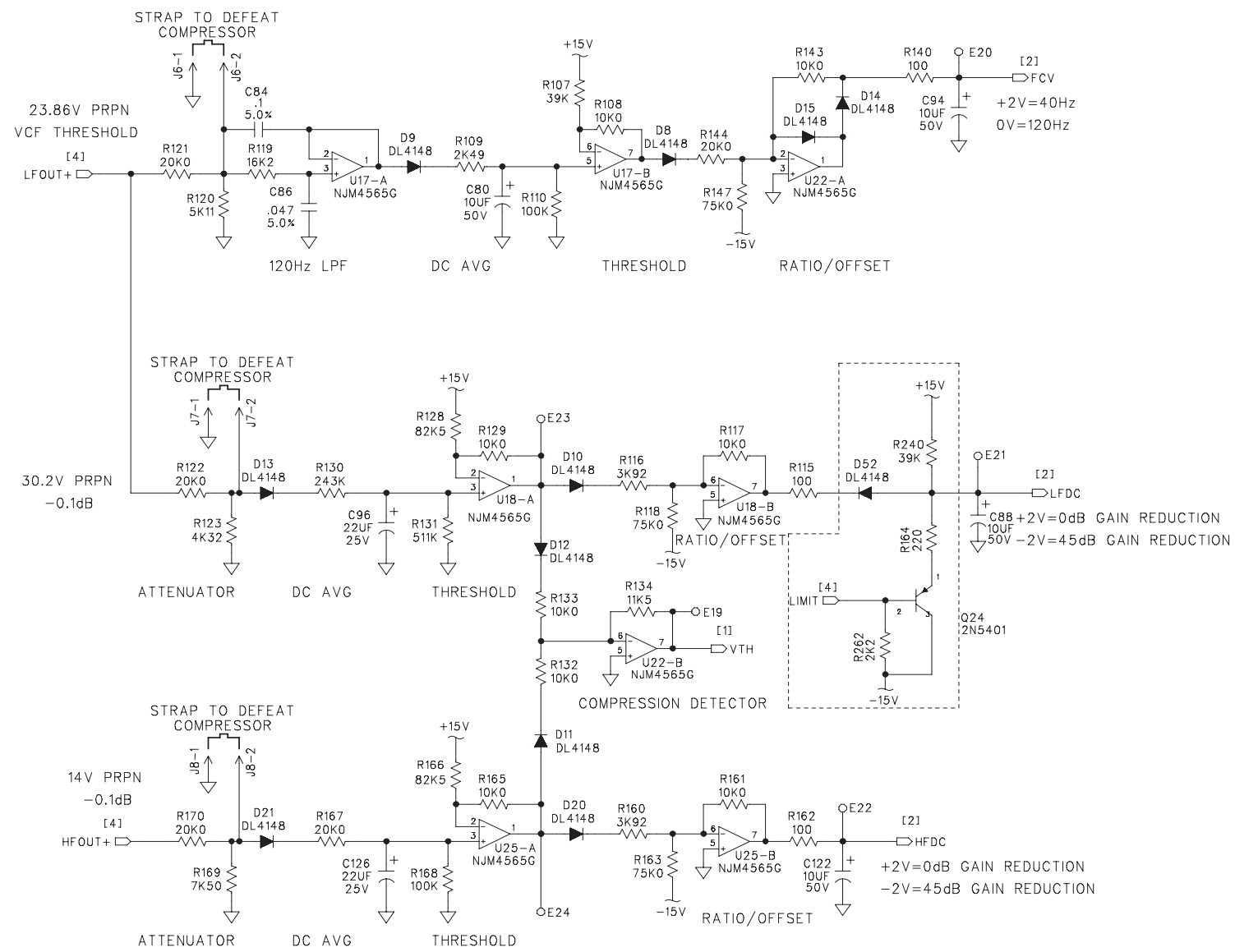








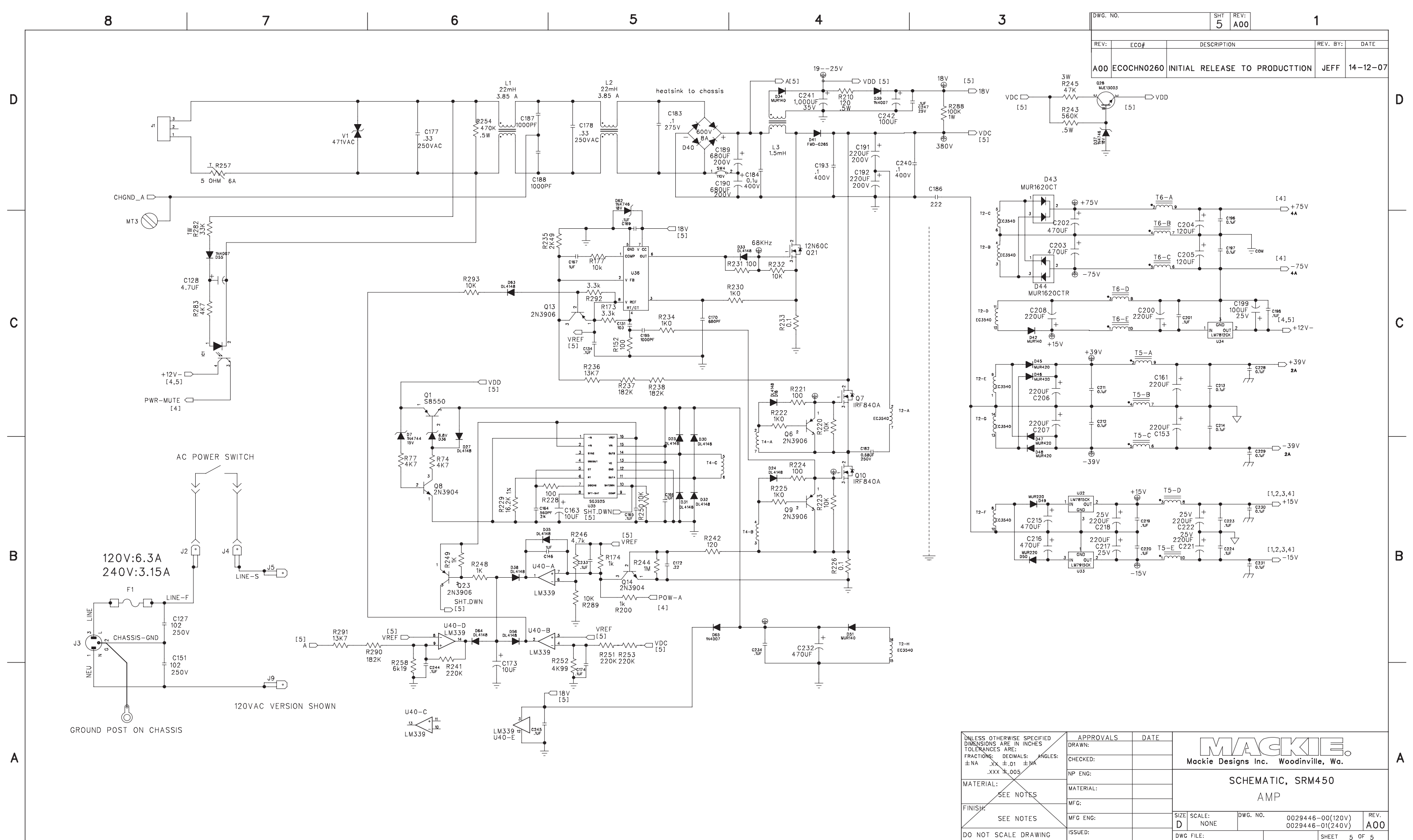
DWG. NO.	SHT	REV:	1
	3	A00	
REV:	ECO#	DESCRIPTION	REV. BY: DATE
A00	ECOCHN0260	INITIAL RELEASE TO PRODUCTION	JEFF 14-12-07



UNLESS OTHERWISE SPECIFIED DIMENSIONS ARE IN INCHES TOLERANCES ARE: FRACTIONS: DECIMALS: ANGLES: ±NA .XX ±.01 ±MA .XXX ±.005	APPROVALS	DATE	
	DRAWN:		
MATERIAL: SEE NOTES	CHECKED:		SCHEMATIC, SRM450 AMP
	NP ENG:		
FINISH: SEE NOTES	MATERIAL:		SIZE: D SCALE: NONE DWG. NO. 0029446-00(120V) 0029446-01(240V) REV. A00
	MFG:		
DO NOT SCALE DRAWING	ISSUED:		DWG FILE: SHEET 3 OF 5



REV:	ECO#	DESCRIPTION	REV. BY:	DATE
A00	ECOCHN0260	INITIAL RELEASE TO PRODUCTION	JEFF	14-12-07



UNLESS OTHERWISE SPECIFIED DIMENSIONS ARE IN INCHES TOLERANCES ARE:	APPROVALS	DATE
FRACTIONS: DECIMALS: ANGLES:	DRAWN:	
±NA .XX ±.01 ±NA .XXX ±.005	CHECKED:	
MATERIAL:	NP ENG:	
SEE NOTES	MATERIAL:	
FINISH:	MFG:	
SEE NOTES	MFG ENG:	
DO NOT SCALE DRAWING	ISSUED:	

**MACKIE**  
Mackie Designs Inc. Woodinville, Wa.

**SCHEMATIC, SRM450 AMP**

SIZE: D	SCALE: NONE	DWG. NO. 0029446-00(120V) 0029446-01(240V)	REV. A00
DWG FILE:		SHEET 5 OF 5	