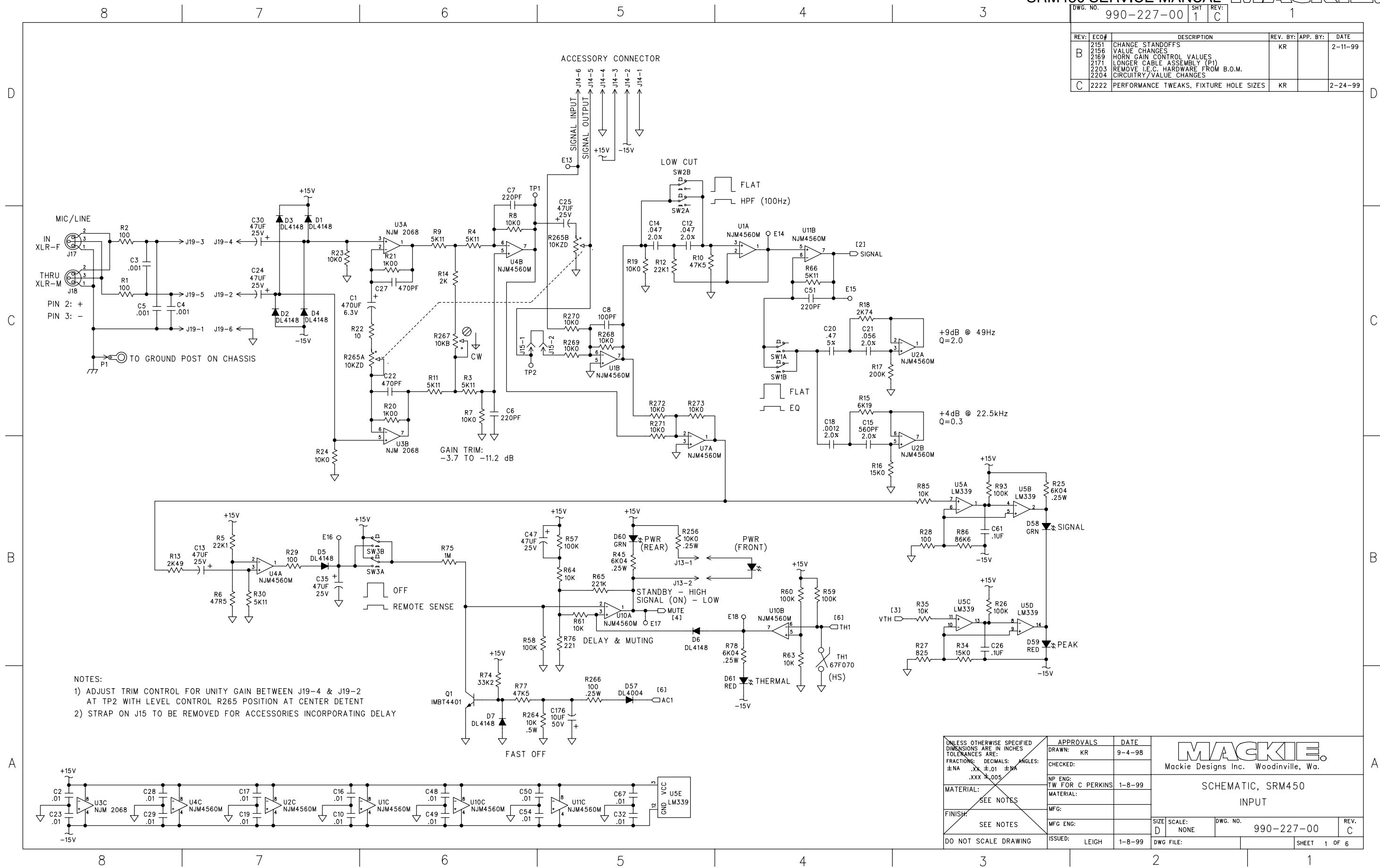


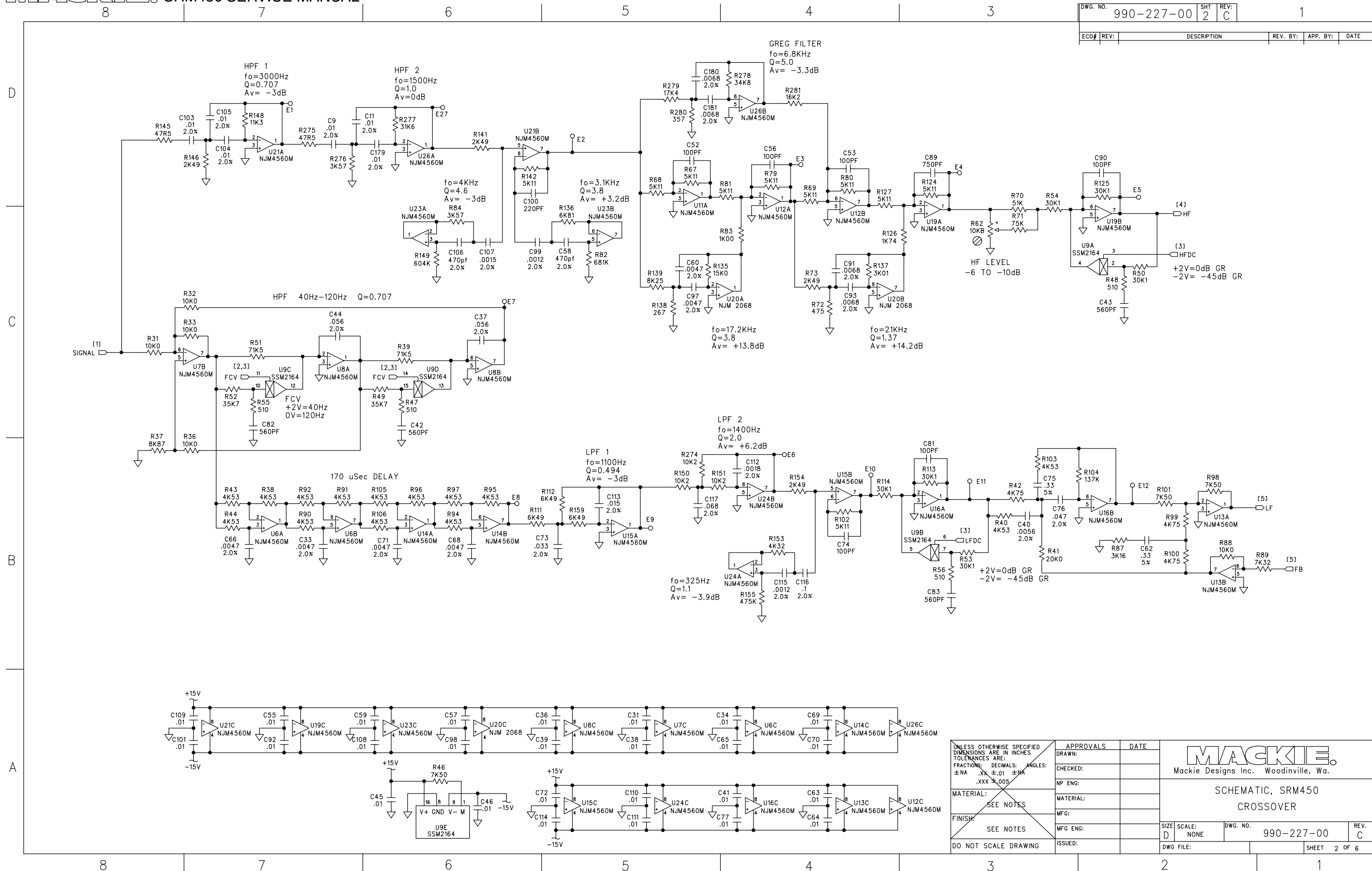
DWG. NO.	990-227-00	SHT	1	REV:	C
----------	------------	-----	---	------	---

REV:	ECO#	DESCRIPTION	REV. BY:	APP. BY:	DATE
B	2151 2156 2169 2171 2203 2204	CHANGE STANDOFFS VALUE CHANGES HORN GAIN CONTROL VALUES LONGER CABLE ASSEMBLY (P1) REMOVE I.E.C. HARDWARE FROM B.O.M. CIRCUITRY/VALUE CHANGES	KR		2-11-99
C	2222	PERFORMANCE TWEAKS, FIXTURE HOLE SIZES	KR		2-24-99



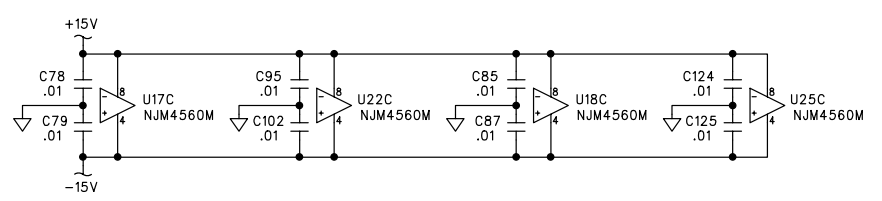
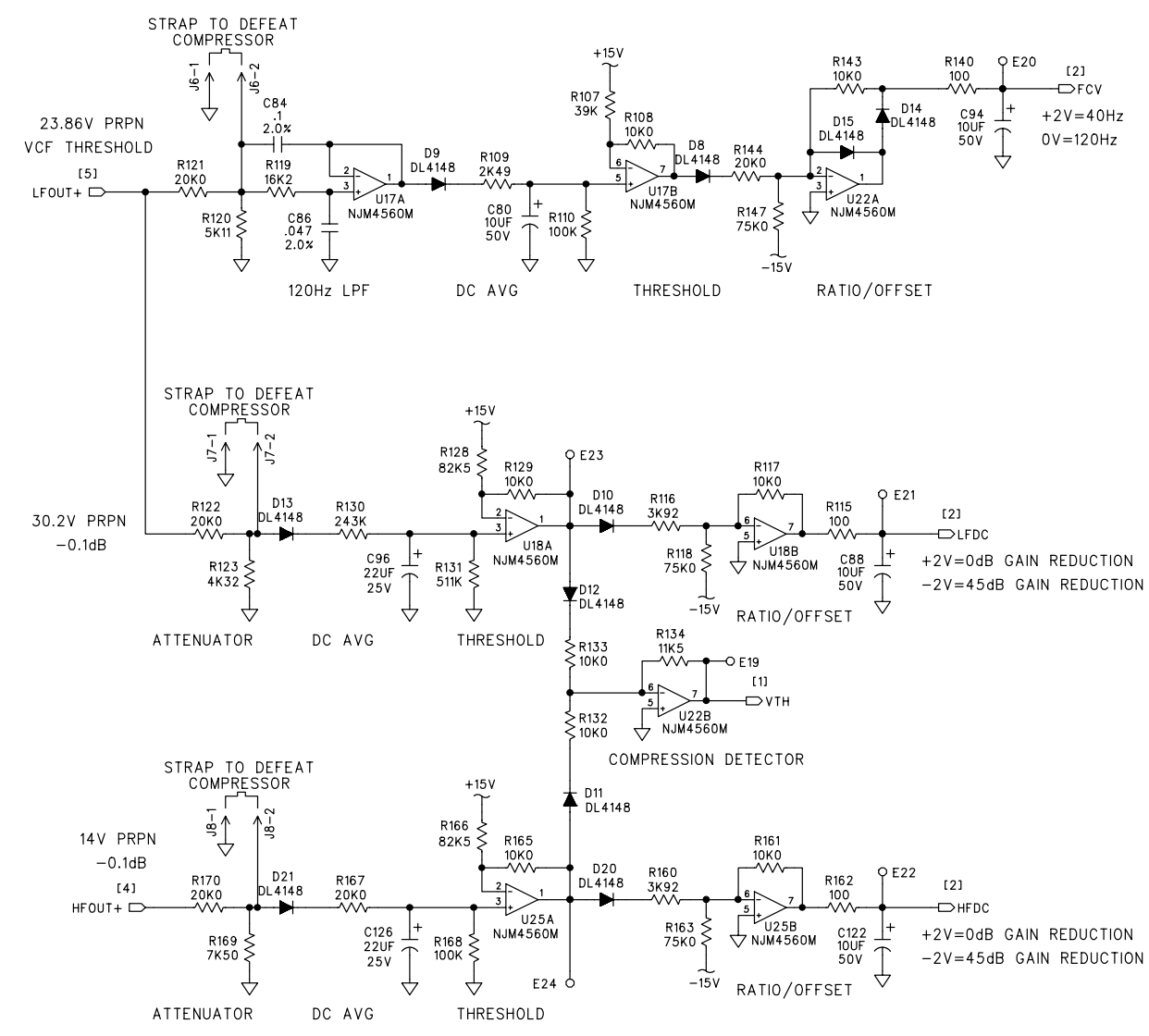
- NOTES:
- ADJUST TRIM CONTROL FOR UNITY GAIN BETWEEN J19-4 & J19-2 AT TP2 WITH LEVEL CONTROL R265 POSITION AT CENTER DETENT
 - STRAP ON J15 TO BE REMOVED FOR ACCESSORIES INCORPORATING DELAY

UNLESS OTHERWISE SPECIFIED DIMENSIONS ARE IN INCHES TOLERANCES ARE: FRACTIONS: DECIMALS: ANGLES: ±.NA .XX ±.01 ±.NA .XXX ±.005	APPROVALS	DATE	MACKIE Mackie Designs Inc. Woodinville, Wa.
	CHECKED: KR	9-4-98	
MATERIAL:	NP ENG: TW FOR C PERKINS	1-8-99	SCHEMATIC, SRM450 INPUT
FINISH: SEE NOTES	MFG:		
DO NOT SCALE DRAWING	ISSUED: LEIGH	1-8-99	SIZE SCALE: NONE DWG. NO. 990-227-00 REV. C SHEET 1 OF 6



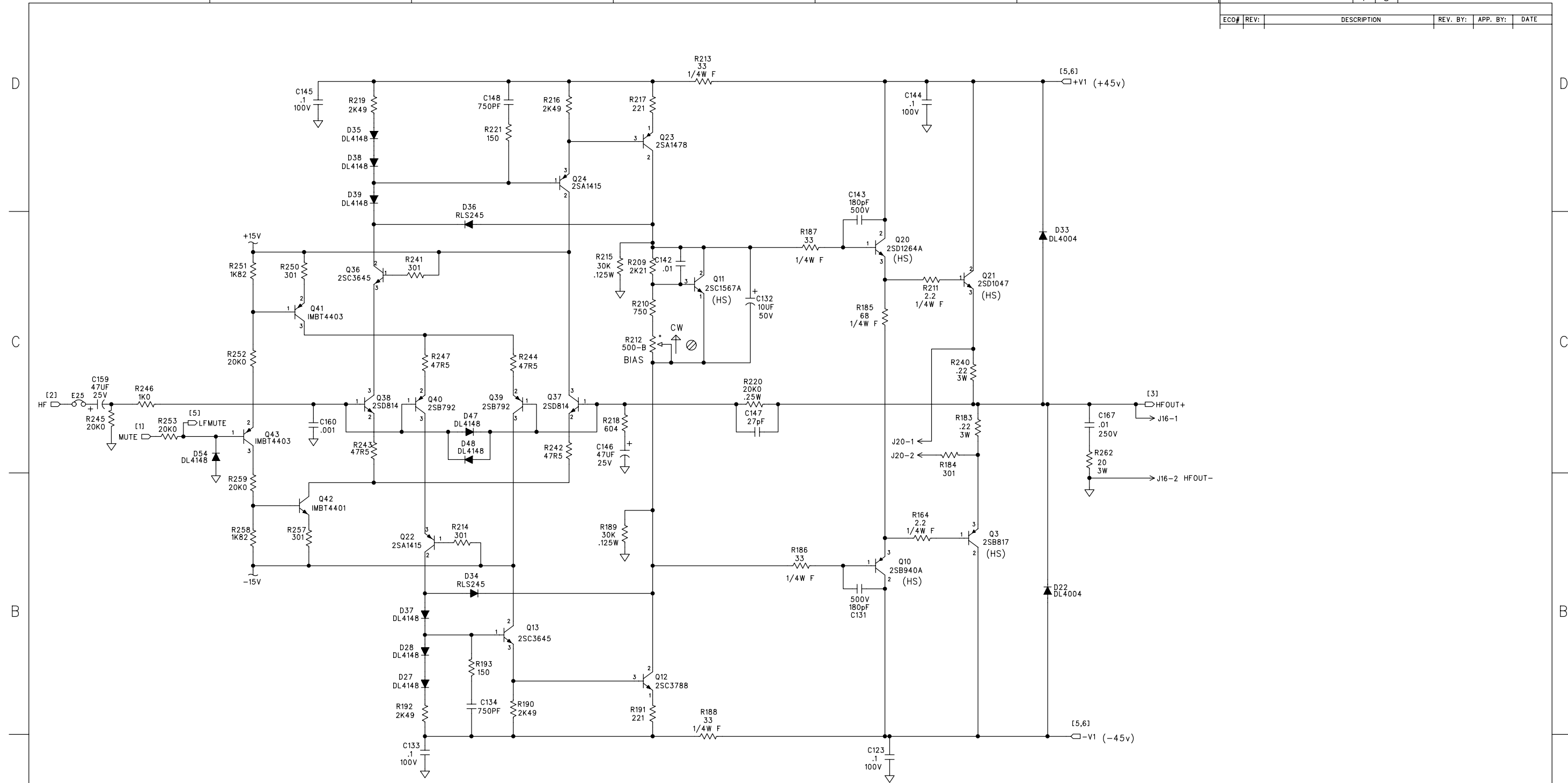
UNLESS OTHERWISE SPECIFIED DIMENSIONS ARE IN INCHES TOLERANCES ARE: FRACTIONS: DECIMALS: ANGLES: ±NA .XX ±.01 ±MA .XXX ±.005	APPROVALS	DATE	<p>Mackie Designs Inc. Woodinville, Wa.</p> <p>SCHMATIC, SRM450 CROSSOVER</p>
	DRAWN:		
	CHECKED:		
	NP ENG:		
MATERIAL:	MATERIAL:		SIZE: D SCALE: NONE DWG. NO. 990-227-00 REV. C DWG FILE: SHEET 2 OF 6
SEE NOTES	MFG:		
DO NOT SCALE DRAWING	ISSUED:		

DWG. NO.	990-227-00	SHT	3	REV.	C	1
ECO#	REV.	DESCRIPTION	REV. BY:	APP. BY:	DATE	



UNLESS OTHERWISE SPECIFIED DIMENSIONS ARE IN INCHES TOLERANCES ARE: FRACTIONS: .XX ±.01 ±.005 DECIMALS: .XXX ±.005 ANGLES: ±NA ±.01 ±.005	APPROVALS	DATE	 Mackie Designs Inc. Woodinville, Wa.			
	DRAWN:					
	CHECKED:					
	NP ENG:					
MATERIAL:	MATERIAL:		SCHEMATIC, SRM450 CONTROL CIRCUITS			
FINISH:	MFG:					
SEE NOTES	MFG ENG:		SIZE: D	SCALE: NONE	DWG. NO. 990-227-00	REV. C
DO NOT SCALE DRAWING	ISSUED:		DWG FILE:			SHEET 3 OF 6

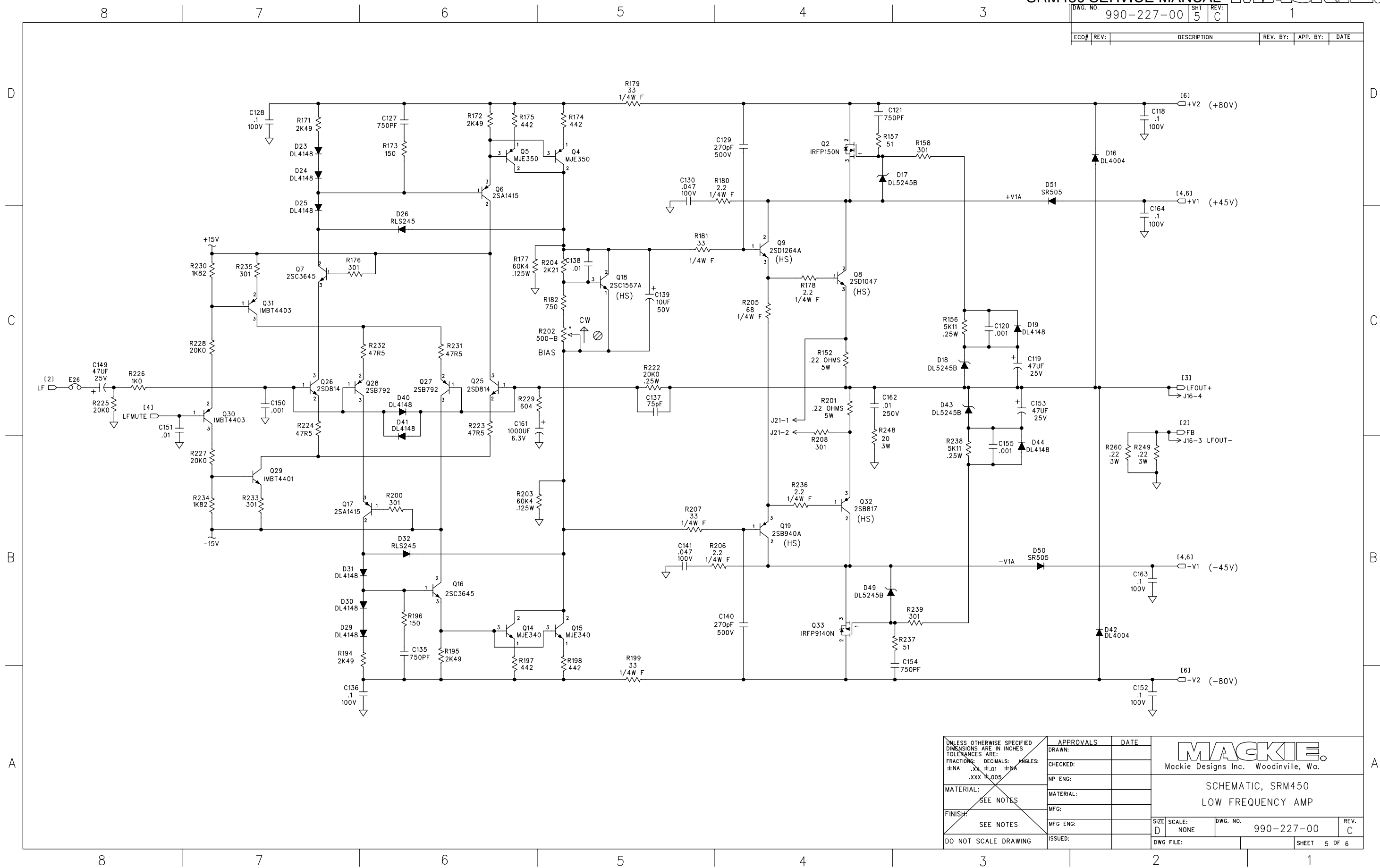
DWG. NO.	990-227-00	SHT	4	REV.	C
ECO#	REV:	DESCRIPTION	REV. BY:	APP. BY:	DATE



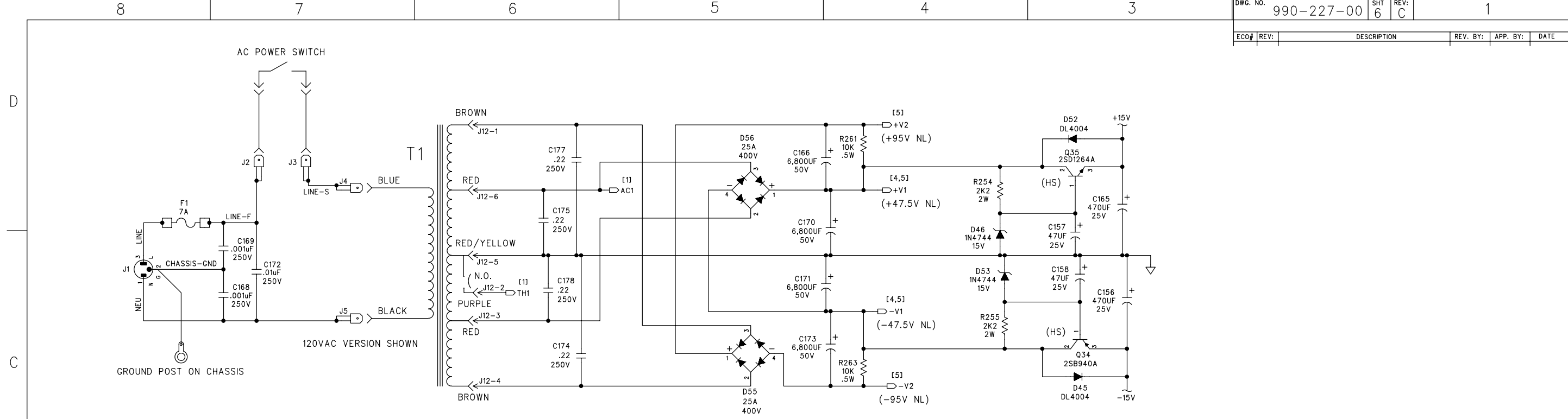
227-4 MAIN BOARD 227 Rev C

UNLESS OTHERWISE SPECIFIED DIMENSIONS ARE IN INCHES TOLERANCES ARE: FRACTIONS: DECIMALS: ANGLES: ±NA .XX ±.01 ±NA .XXX ±.005 MATERIAL: SEE NOTES FINISH: SEE NOTES DO NOT SCALE DRAWING	APPROVALS	DATE	MACKIE Mackie Designs Inc. Woodinville, Wa. SCHEMATIC, SRM450 HIGH FREQUENCY AMP
	DRAWN:		
	CHECKED:		
	NP ENG:		
	MATERIAL:		SIZE: D SCALE: NONE DWG. NO. 990-227-00 REV. C DWG FILE: SHEET 4 OF 6
	MFG:		
	MFG ENG:		
	ISSUED:		

DWG. NO.	990-227-00	SHT	5	REV.	C	1
ECO#	REV.	DESCRIPTION	REV. BY:	APP. BY:	DATE	

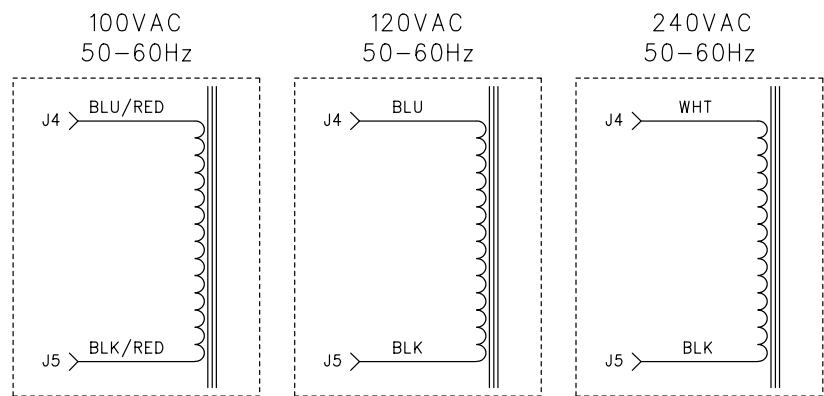


UNLESS OTHERWISE SPECIFIED DIMENSIONS ARE IN INCHES TOLERANCES ARE: FRACTIONS: DECIMALS: ANGLES: ±NA .XX ±.01 ±NA .XXX ±.005	APPROVALS	DATE	MACKIE Mackie Designs Inc. Woodinville, Wa.
	CHECKED:		
	NP ENG:		
	MATERIAL:		
FINISH:	SEE NOTES		SCHEMATIC, SRM450 LOW FREQUENCY AMP
DO NOT SCALE DRAWING	ISSUED:		SIZE SCALE: DWG. NO. REV. D NONE 990-227-00 C DWG FILE: SHEET 5 OF 6

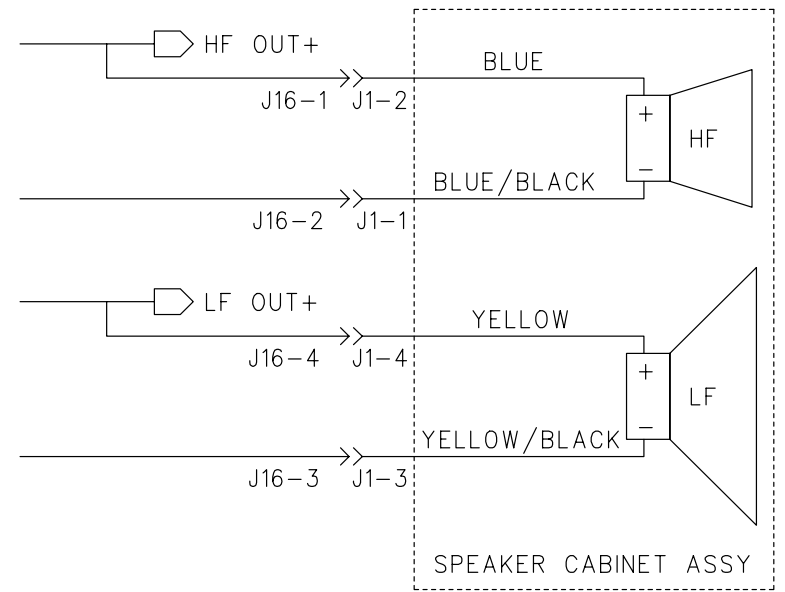


FUSE VALUE CHART

MAINS	F1
100VAC	9A
120VAC	7A
240VAC	3.5A

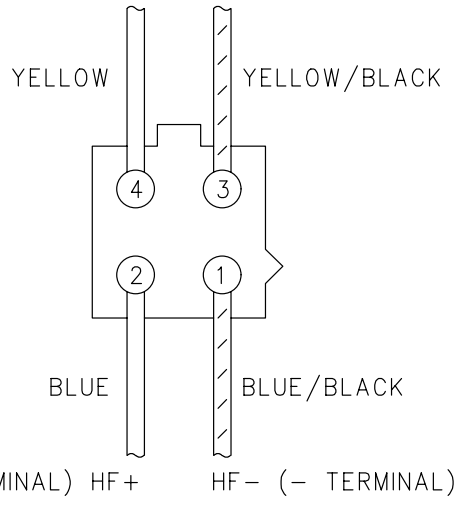


POWER TRANSFORMER PRIMARY WIRING



SPEAKER CABINET ASSY

(RED TERMINAL) LF+ LF- (BLACK TERMINAL)

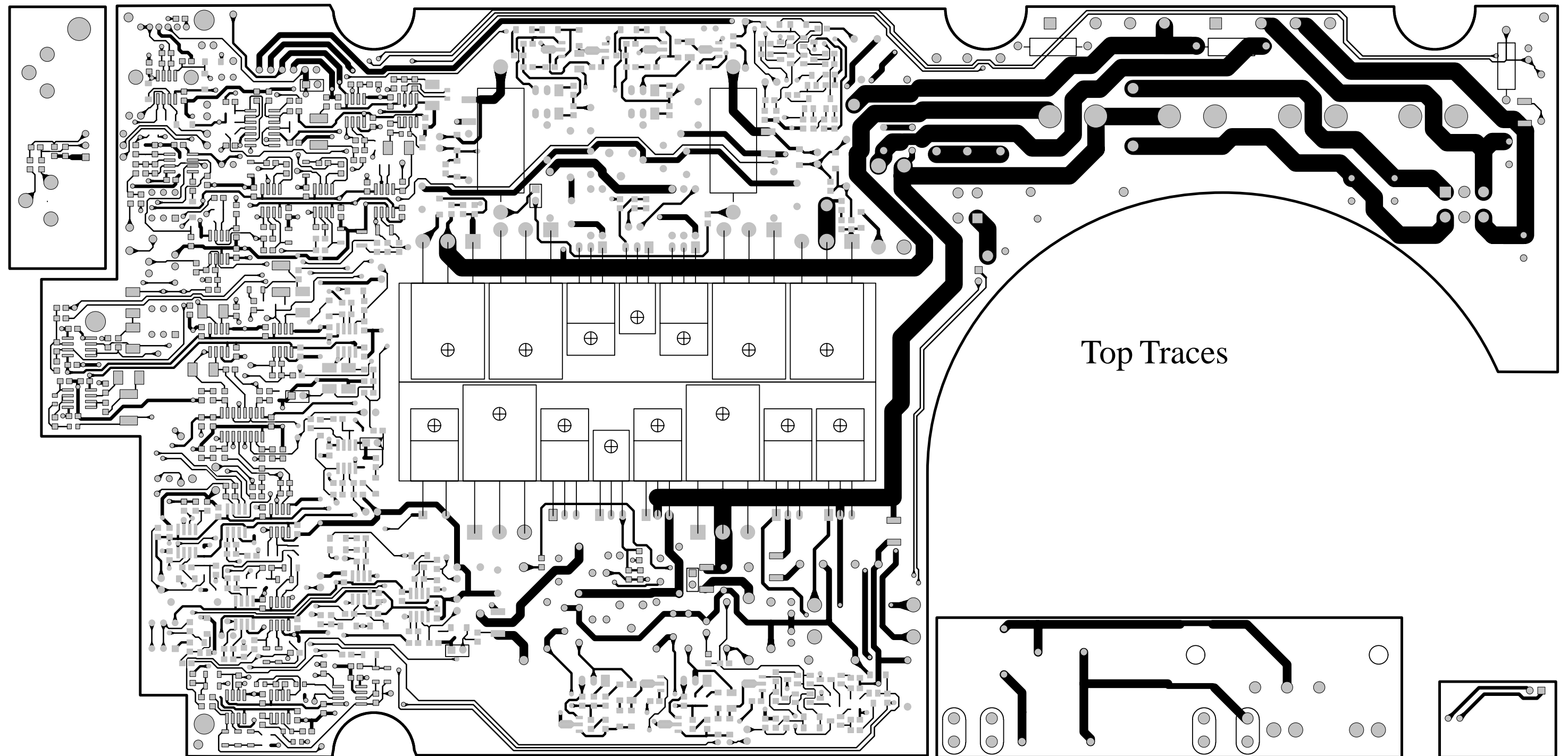


(+ TERMINAL) HF+ HF- (- TERMINAL)

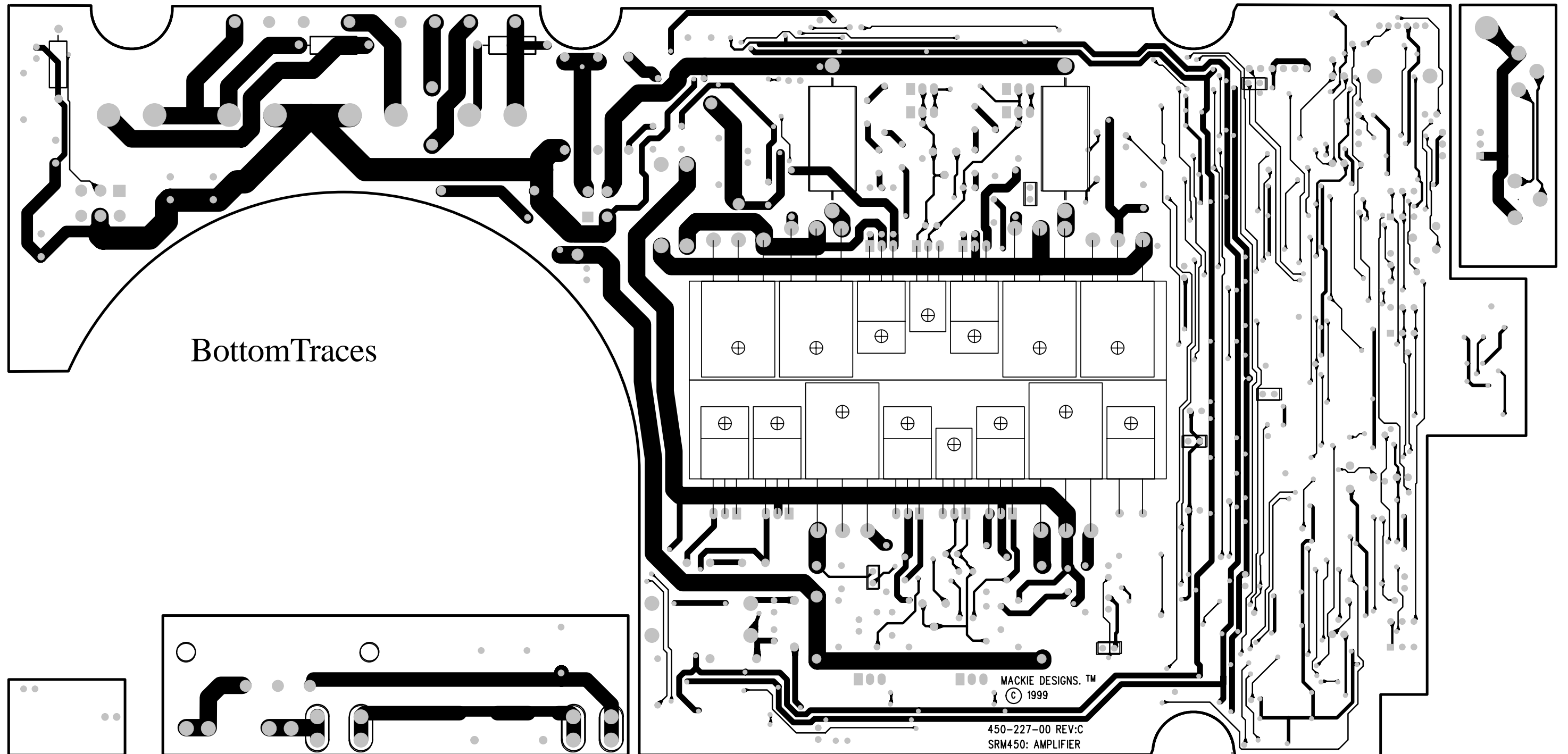
TOP VIEW OF FEMALE (WIRE END) CONNECTOR WIRING

- 400-060-00 FUSE CLIP PCMT
- 400-060-00 FUSE CLIP PCMT
- 760-107-00 BTN 2 COLOR 9X5MM
- 760-107-00 BTN 2 COLOR 9X5MM
- 760-107-00 BTN 2 COLOR 9X5MM
- 400-139-00 SHUNT 2P .100
- Z104 BRKT ANG 6-32 ONE HOLE
- 712-021-01 RVT CL END .125X.062-.125
- S01 706-033-10 STDF SWAGE NO.4 X .527L F
- S02 706-033-10 STDF SWAGE NO.4 X .527L F
- S03 706-033-10 STDF SWAGE NO.4 X .527L F
- 450-227-00 PCB, SRM450: AMPLIFIER

UNLESS OTHERWISE SPECIFIED DIMENSIONS ARE IN INCHES TOLERANCES ARE: FRACTIONS: DECIMALS: ANGLES: ±NA .XX ±.01 ±NA .XXX ±.005	APPROVALS	DATE	<p>Mackie Designs Inc. Woodinville, Wa.</p> <p>SCHMATIC, SRM450 POWER SUPPLY</p>
	DRAWN:		
	CHECKED:		
	NP ENG:		
MATERIAL:	MATERIAL:		SIZE: D SCALE: NONE DWG. NO. 990-227-00 REV. C
FINISH:	MFG ENG:		
DO NOT SCALE DRAWING	ISSUED:		DWG FILE: SHEET 6 OF 6



Top Traces



227-8

MAIN BOARD 227 Rev C

