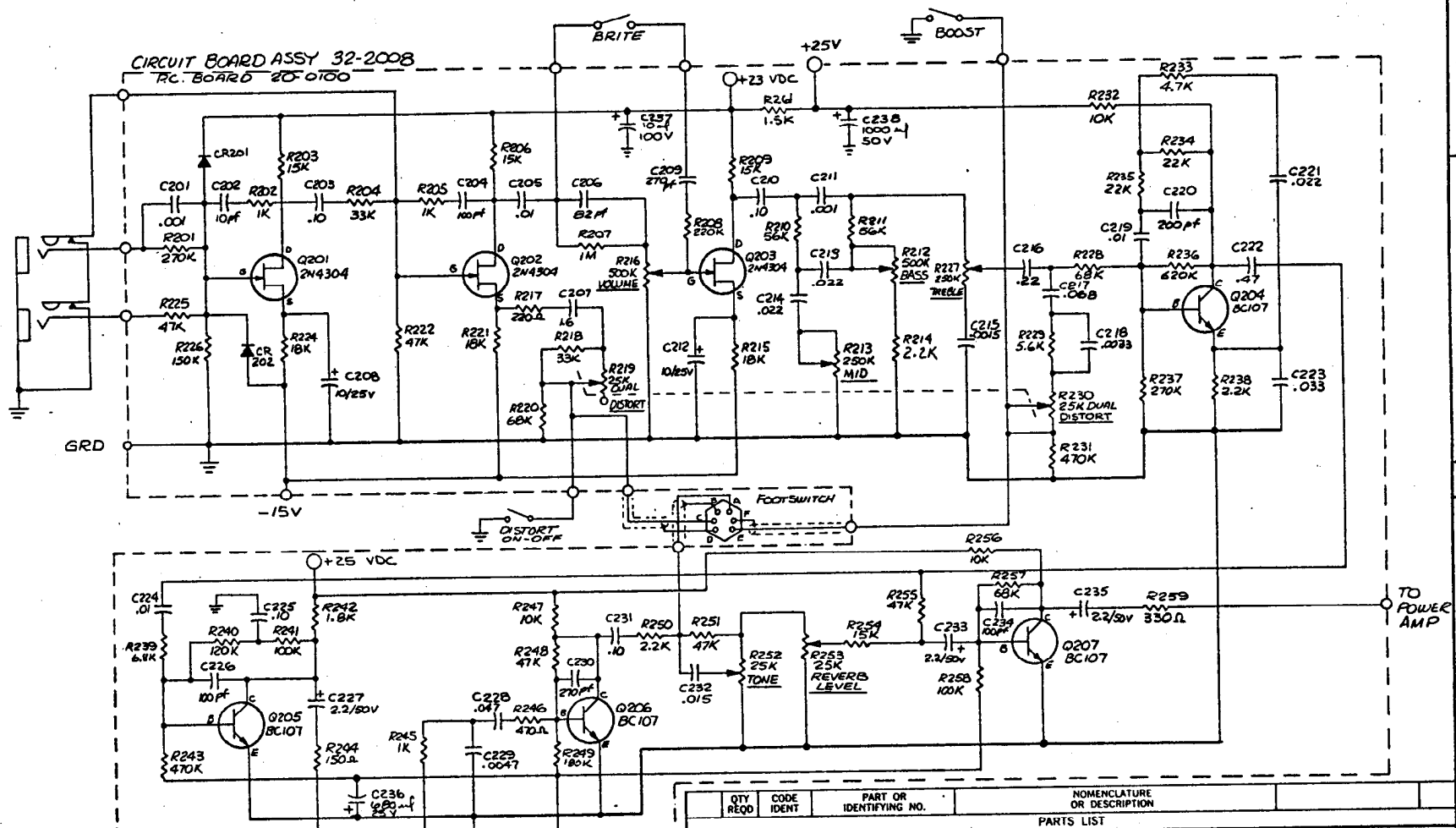
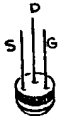



Concert Lead

REVISIONS				
ZONE	LTR	DESCRIPTION	DATE	APPROVED
A		ADDED C237, C237, C238, R201; DELETED R223	11-22-77	Z. A.
B		CHG. VALUES TO AGREE w/SAMPLE R37E AND S. T. C.	11-28-77	Z. A.
		R248 AND 100K		





 FET TRANSISTOR
 ALL RESISTORS 1/2W 5%
 CAPACITORS IN MFD

QTY REQD	CODE IDENT	PART OR IDENTIFYING NO.	NOMENCLATURE OR DESCRIPTION
PARTS LIST			
UNLESS OTHERWISE SPECIFIED DIMENSIONS ARE IN INCHES TOLERANCES ARE FRACTIONS DECIMALS ANGLES ± .XX ± .XXX ± °		CONTRACT NO.	SUNN MUSICAL EQUIP. Co. TUALATIN OREGON 97062
MATERIAL	~	APPROVALS	DATE
FINISH	~	DRAWN	G.D. 8-20-75
NEXT ASSY	USED ON	CHECKED	
APPLICATION		DO NOT SCALE DRAWING	
SCALE		SHEET 1 OF 1	

SCHEMATIC DIAGRAM
PRE-AMP CONCERT LEAD

SIZE C CODE IDENT NO. DRAWING NO. D-1078 B