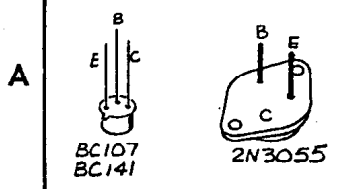
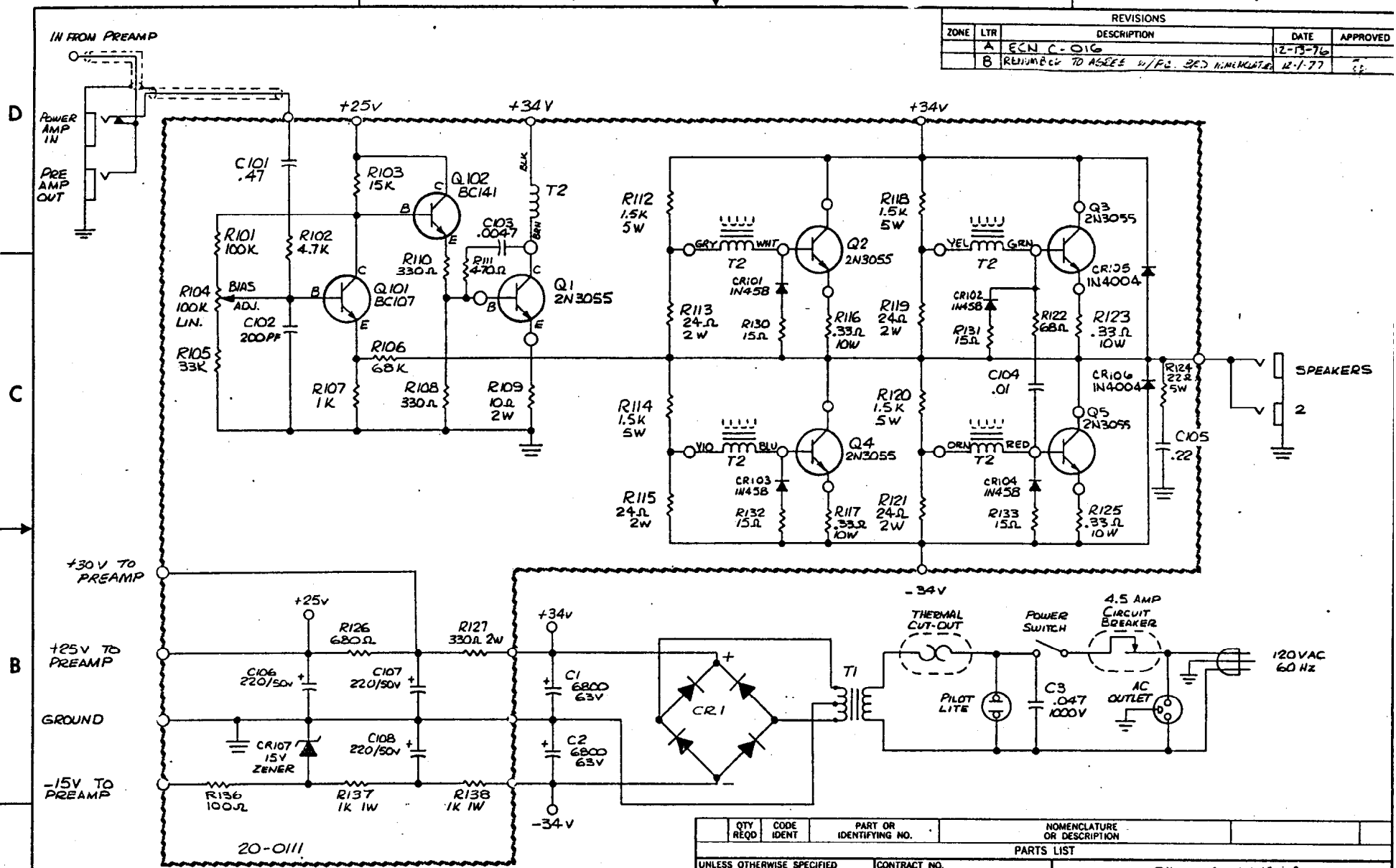


Concert Lead

REVISIONS				
ZONE	LTR	DESCRIPTION	DATE	APPROVED
A		ECN C-016	12-13-76	
B		RENUMBER TO AGREE w/ P.C. 250 N.M.L.K.G.A. #	12-1-77	



20-0111
32-2012

QTY REQD	CODE IDENT	PART OR IDENTIFYING NO.	NOMENCLATURE OR DESCRIPTION
PARTS LIST			
UNLESS OTHERWISE SPECIFIED DIMENSIONS ARE IN INCHES TOLERANCES ARE:		CONTRACT NO.	Sunn Musical Equip Co. 40000 INDUSTRIAL PARK TUALUMIN OREGON 97062
FRACTIONS	DECIMALS	ANGLES	
±	.XX ±	±	APPROVALS: _____ DATE: _____ DRAWN: DUFFY 8-8-75 CHECKED: _____
MATERIAL	FINISH	SIZE	CODE IDENT NO. _____ DRAWING NO. D 1079
NEXT ASSY	USED ON	SCALE	SHEET B OF 1
APPLICATION	DO NOT SCALE DRAWING		