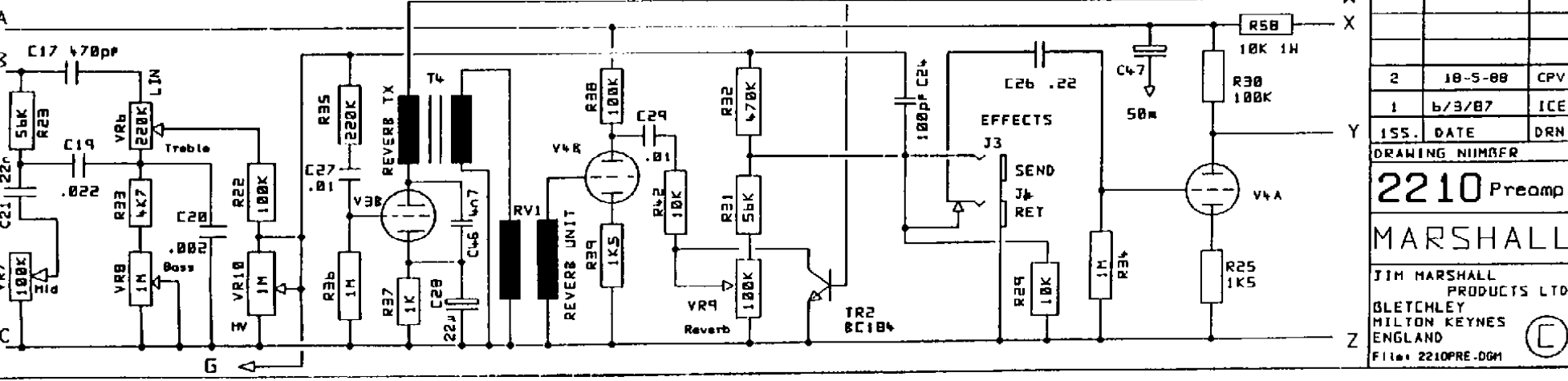


Notes:
 PCB: JH03
 V1, V2, V3, V4
 ECC83/12AX7
 All pots LOG unless
 stated otherwise



2	18-5-88	CPV
1	6/3/87	ICE
ISS. DATE		DRN.
DRAWING NUMBER		
2210 Preamp		
MARSHALL		
JIM MARSHALL PRODUCTS LTD.		
BLETCHLEY MILTON KEYNES ENGLAND		
File: 2210PRE.DGM		