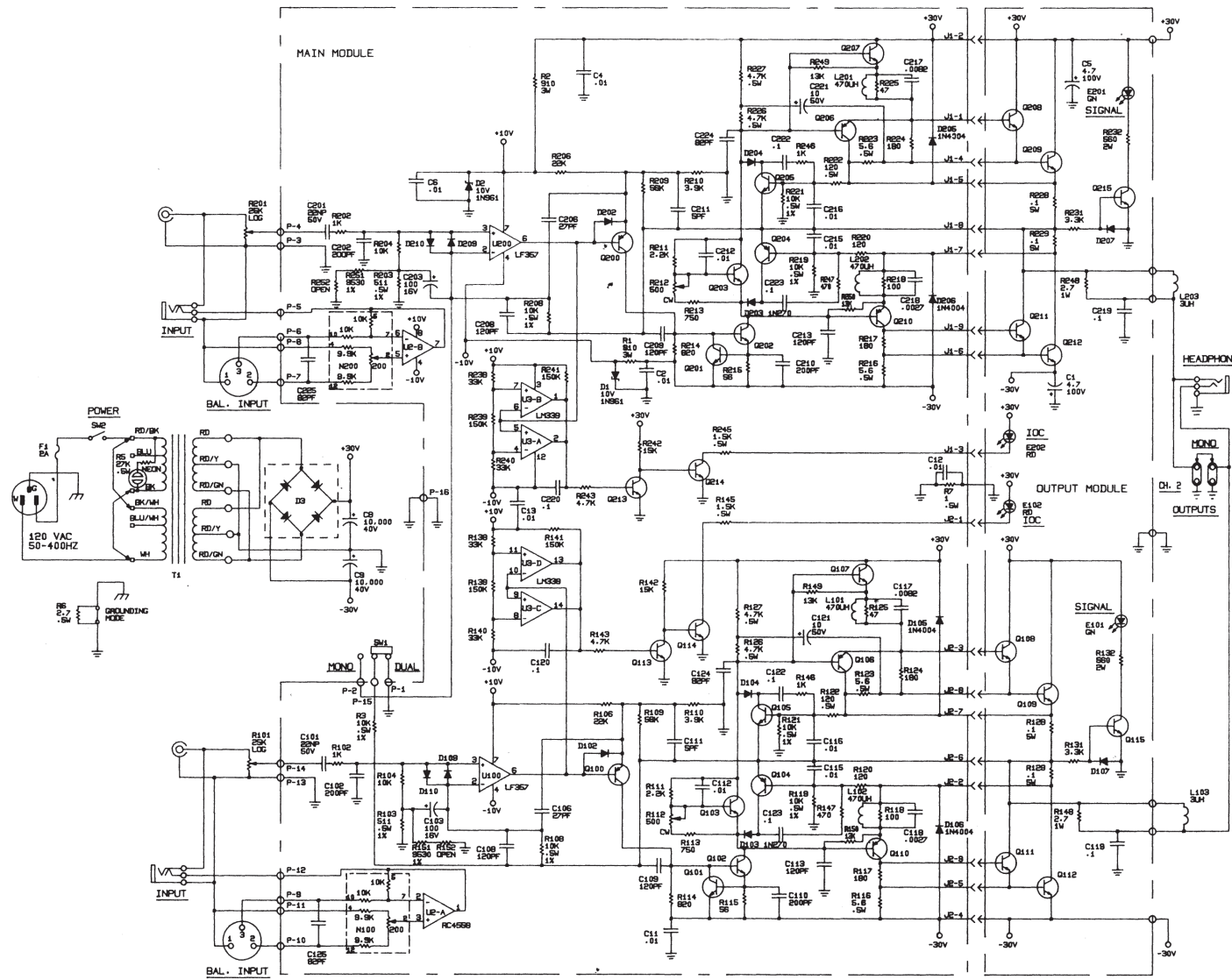


E.C.N.	ZONE	REV	DESCRIPTION	DATE	BY	CHK	RE	EC	APPROVALS
		(A)	C101 & C201 WERE BS NOW BS	2-18-85	LCD	JF			CG
		(B)	REVISED NON-POLAR CAP SHAPES	8-1-85	GWS	JF			CG
		(B)	ADDED PTH NUMBERS TO BAL. INPUT RESISTOR NETWORK	8-1-85	GWS	JF			CG
BS-0500		(C)	R1 & R2 WERE 820 OHMS	8-18-88	LCD	JF			SR
BS-0584		(D)	L101,102,201,202 WERE .5UH	8-1-88	LCD	JF			SR



USED	REPLACED
R152	R152 10K 1/4W 1% (11)
R252	R252 10K 1/4W 1% (11)
C125	C125 100N 50V 10% (2)
C225	C225 100N 50V 10% (2)
D115	D115 1N4148 (1)
D215	D215 1N4148 (1)
D110	D101,108
D210	D201,208
E102	E100
E202	E200
L103	L100
L203	L200
N100	
N200	
D3	
F1	
T1	
U3	U1
SW2	
C13	C3, C10, C7
R7	R4
U100	
L200	

NOTE:
THIS IS A REPRESENTATIVE SCHEMATIC ONLY AND DOES NOT NECESSARILY REFLECT THE EXACT CIRCUITRY OF YOUR UNIT. PLEASE REFER TO THE RESPECTIVE SERVICE MANUAL FOR FURTHER TECHNICAL INFORMATION.

- GENERAL:
- ALL RESISTORS ARE IN OHMS. .5W EX ALL CAPACITORS ARE IN MICROFARADS, UNLESS OTHERWISE NOTED.
 - OUTPUT PC BOARD #8230 CONTAINS COMPONENTS FOR BOTH CH1 AND CH2, AND IT IS LOCATED ON THE FRONT PANEL, HEAT SINK ASSEMBLY.
 - MODEL 8857 CONTAINS ONE INPUT ONLY. MODELS 8454 AND 125 CONTAIN BALANCED AND UNBALANCED INPUT. THE BALANCED INPUT DOES NOT FUNCTION WHEN THE UNBALANCED INPUT IS USED.
 - ALL DIODES ARE 1N4148 UNLESS OTHERWISE SPECIFIED.

INACTIVE
For Reference Use Only

CROWN INTERNATIONAL, INC.
1718 WEST MISHAWAKA ROAD ELKHART, INDIANA 46517 PHONE (219)294-8000

SC. D75-5507 AND 8404

DRAWN	LCD	2-18-85	APPROVED BY	DO NOT SCALE PRINT
CHECKED	JF	9-4-85	ME	SUPERSEDES
SCALE	NONE		EE	E.C.N.
REL FOR PROD	BY	DATE	PROJECT	C.P.N.
			D094	J0116-4
			PE	CG
			9-4-85	REV
				①