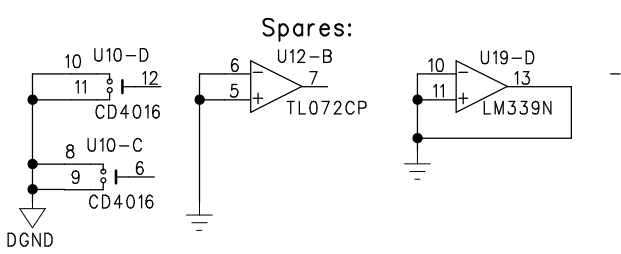
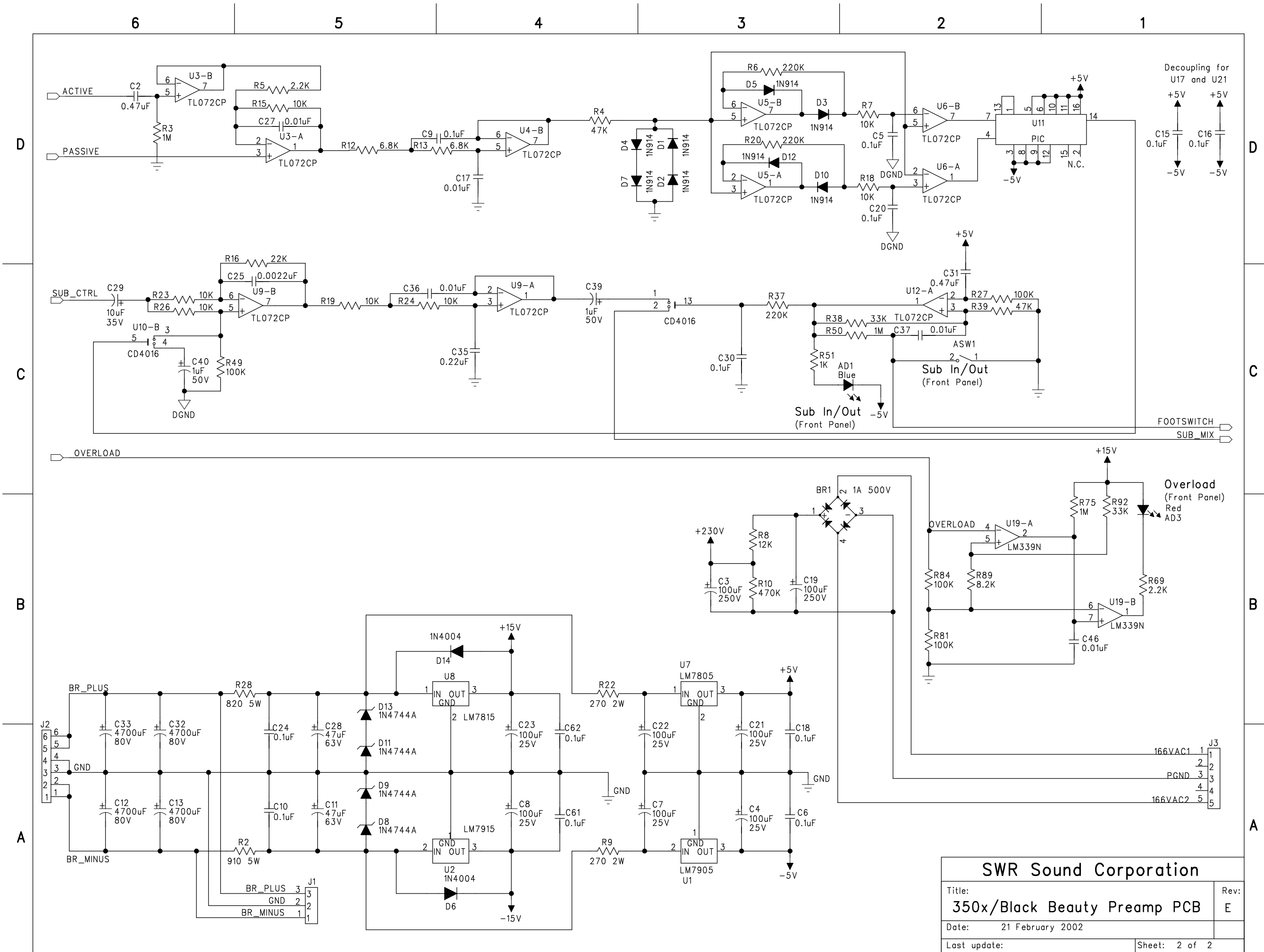


Please note:
 1.> Unless otherwise noted, all resistors are 1/4 Watt, 5%.
 2.> An "A" reference designator prefix denotes a location other than on the PCB.



PCB - 170050D - Production release
 Assembly - 700068

SWR Sound Corporation	
Title:	350x/Black Beauty Preamp PCB
Date:	21 February 2002
Last update:	
Rev:	E
Sheet: 1 of 2	



SWR Sound Corporation	
Title:	350x/Black Beauty Preamp PCB
Date:	21 February 2002
Last update:	
Rev:	E
Sheet: 2 of 2	