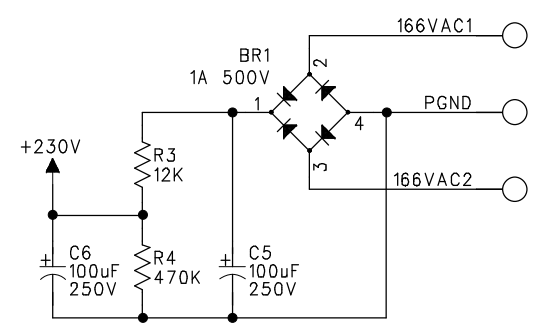
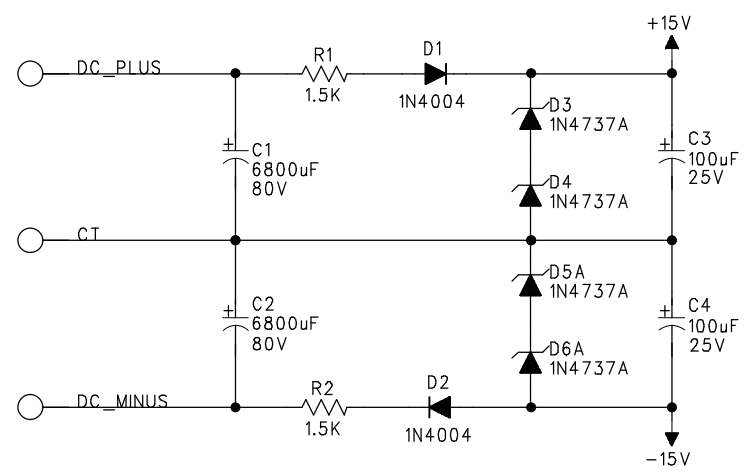
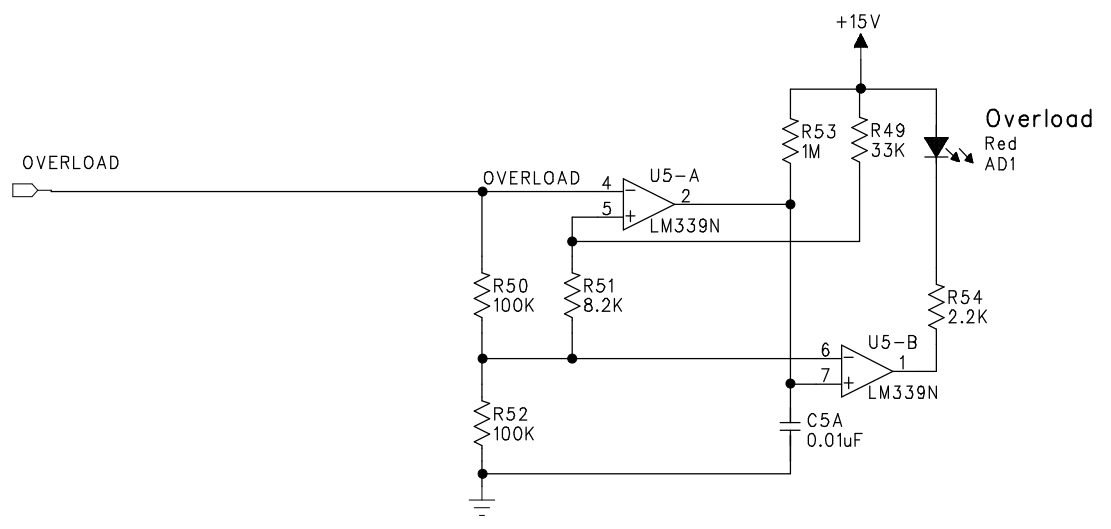


<b>SWR Sound Corporation</b>	
Title:	<b>Bass 350/Silverado Preamp PCB</b>
Date:	02 August 2001
Last update:	Sheet: 1 of 2
Rev:	<b>B</b>

6 5 4 3 2 1

D C B A



<b>SWR Sound Corporation</b>	
Title:	Bass 350/Silverado Preamp PCB
Date:	31 July 2001
Last update:	Sheet: 2 of 2
Rev:	B