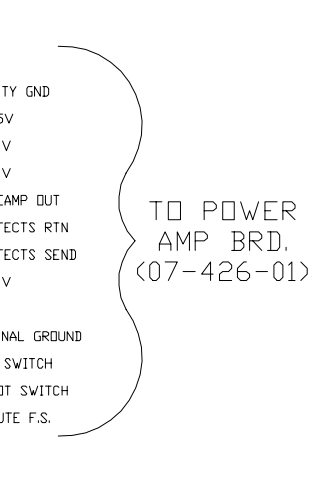
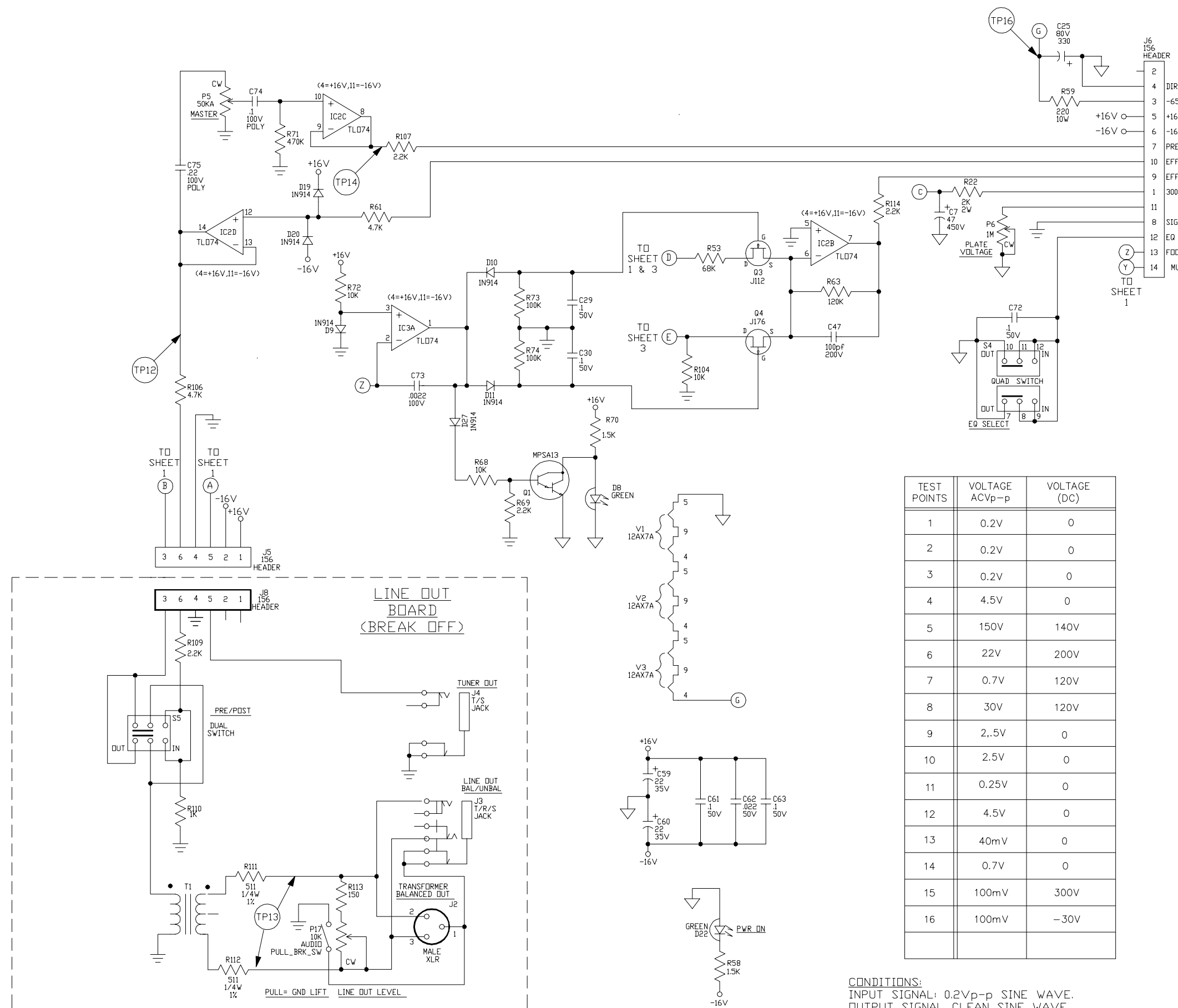


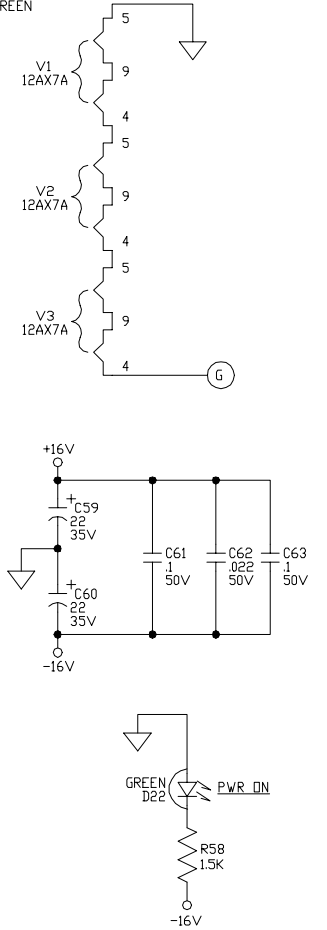
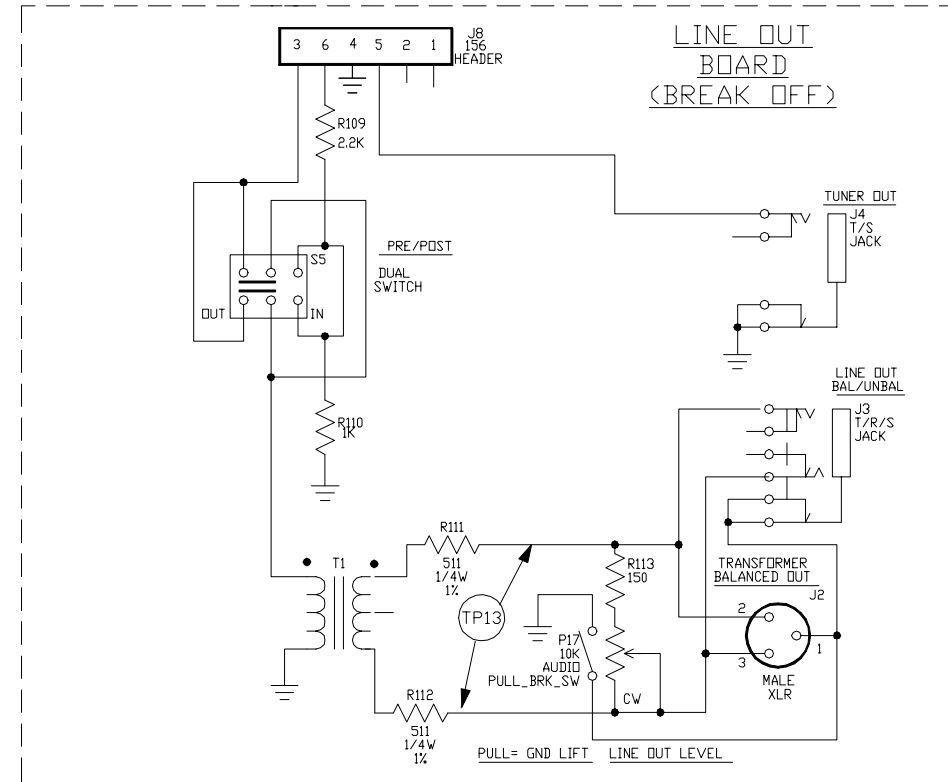
- NOTES**
- 1) CAUTION: SHOCK HAZARD!! THIS UNIT CONTAINS HAZARDOUS VOLTAGE. DISCONNECT POWER AND BE SURE POWER SUPPLY IS DISCHARGED BEFORE TOUCHING INTERNAL PARTS.
 - 2) UNLESS NOTED, RESISTOR VALUES IN OHMS, 1/4W-5% TOL. CAPACITOR VALUES IN MICROFARADS, 50V-10% TOL.
 - 3) VOLTAGES ARE MEASURED WITH 1 MEGOHM OSCILLOSCOPE AND 10 MEGOHM DIGITAL VOLTMETER.
 - 4) CHASSIS GROUND --- DIRTY GROUND --- SIGNAL GROUND ---

B	8/10/99	EQ ON PARTS ADDED TO ASSY PARTS LIST	R00131	REM		
A		INITIAL ISSUE				
REV:	DATE:	DESCRIPTION	ECR/EON NO:	CHNG'D BY:	APPR'D BY:	DATE:
THE INFORMATION CONTAINED ON THIS DRAWING IS PROPRIETARY TO ST. LOUIS MUSIC, INC.						
SIGNATURES:		DATE:		11880 Borman Dr. St. Louis, Missouri 63146		
DRAWN:	REM	3/10/99		FIRST USED ON:		
CHK'D:				SVT3PROa		
RLS'D:				DRAWING TITLE:		
DRAWING SIZE: D		DRAWING TYPE: SCHEMATIC		SCHEMATIC - PREAMP		
DRAWING TYPE: SCHEMATIC		CLASS CODE:		DRAWING NO.:		
SCALE: NONE		SHEET: 1 OF 3		07S534-XX		

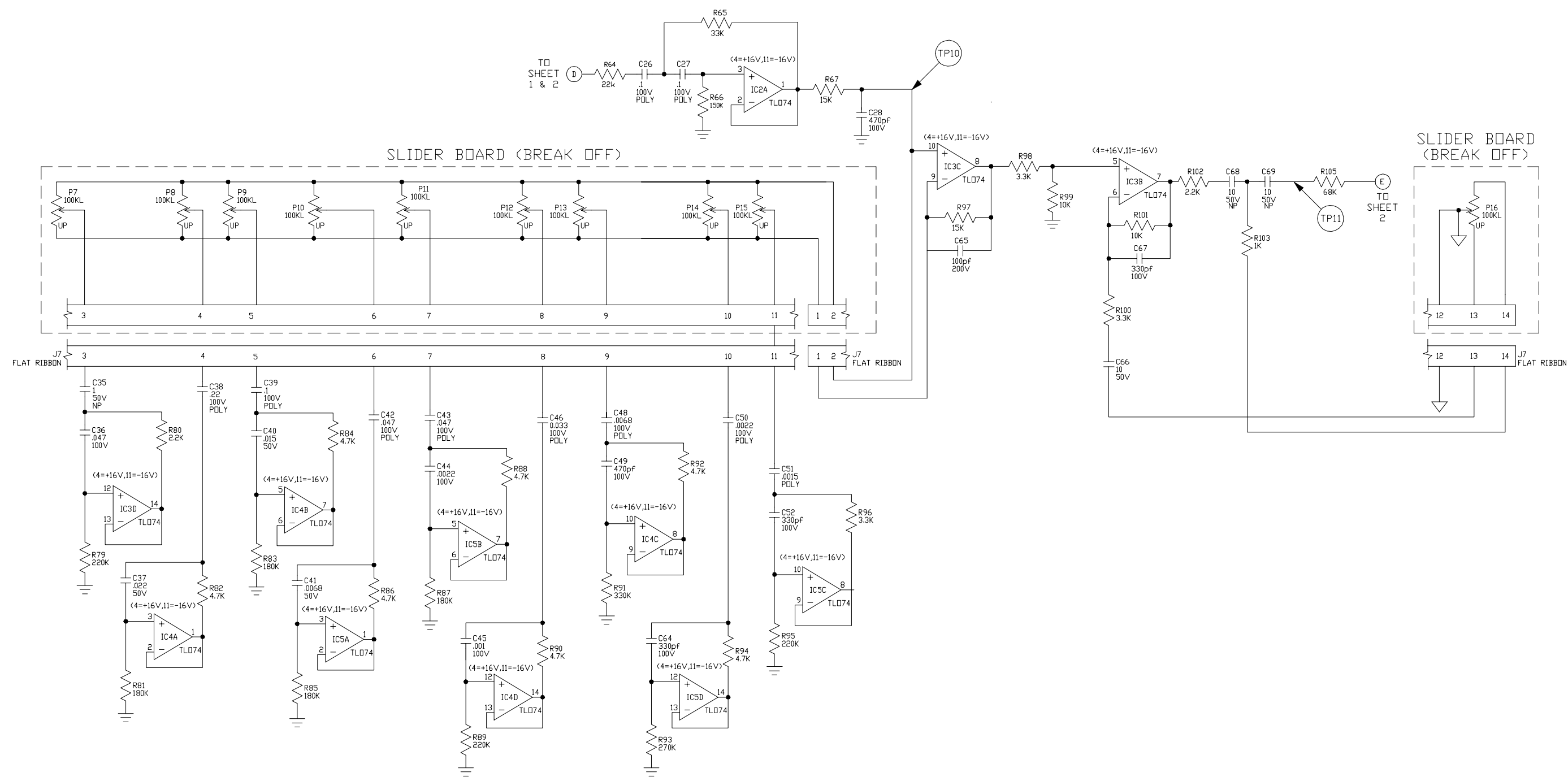


TEST POINTS	VOLTAGE ACVp-p	VOLTAGE (DC)
1	0.2V	0
2	0.2V	0
3	0.2V	0
4	4.5V	0
5	150V	140V
6	22V	200V
7	0.7V	120V
8	30V	120V
9	2.5V	0
10	2.5V	0
11	0.25V	0
12	4.5V	0
13	40mV	0
14	0.7V	0
15	100mV	300V
16	100mV	-30V

CONDITIONS:
 INPUT SIGNAL: 0.2Vp-p SINE WAVE.
 OUTPUT SIGNAL CLEAN SINE WAVE.
 LINE OUTPUT CONTROL @ "10".
 PRE/POST "OUT"



B	8/10/99	EQ ON PARTS ADDED TO ASSY PARTS LIST	R00131	REM		
A		INITIAL ISSUE				
REV:	DATE:	DESCRIPTION	ECR/ECN NO:	CHNG'D BY:	APPR'D BY:	DATE:
THE INFORMATION CONTAINED ON THIS DRAWING IS PROPRIETARY TO ST. LOUIS MUSIC, INC.						
SIGNATURES:		DATE:		FIRST USED ON:		
DRAWN: REM		3/10/99		SVT3PROa		
CHK'D:				DRAWING TITLE: SCHEMATIC - PREAMP		
RLS'D:				DRAWING NO.: 07S534-XX		
TOLERANCES:		DRAWING SIZE: D		SCALE: NONE SHEET: 2 OF 3		
		DRAWING TYPE: SCHEMATIC				



B	8/10/99	EQ ON PARTS ADDED TO ASSY PARTS LIST	R00131	REM		
A		INITIAL ISSUE				
REV:	DATE:	DESCRIPTION	ECR/ECN NO:	CHNG'D BY:	APPR'D BY:	DATE:
THE INFORMATION CONTAINED ON THIS DRAWING IS PROPRIETARY TO ST. LOUIS MUSIC, INC.						
SIGNATURES:		DATE:		FIRST USED ON:		
DRAWN: REM		3/10/99		SVT3PROα		
CHK'D:				DRAWING TITLE: SCHEMATIC - PREAMP		
RLS'D:				DRAWING NO.: 07S534-XX		
TOLERANCES:		DRAWING SIZE: D		SCALE: NONE SHEET: 3 OF 3		
		DRAWING TYPE: SCHEMATIC				

11880 Borman Dr.
St. Louis, Missouri
63146