

RefDes	Value	+16V	+10V
IC1	4	8	
IC2	4	8	
U3	4	8	
U4	4	8	
U5	4	8	

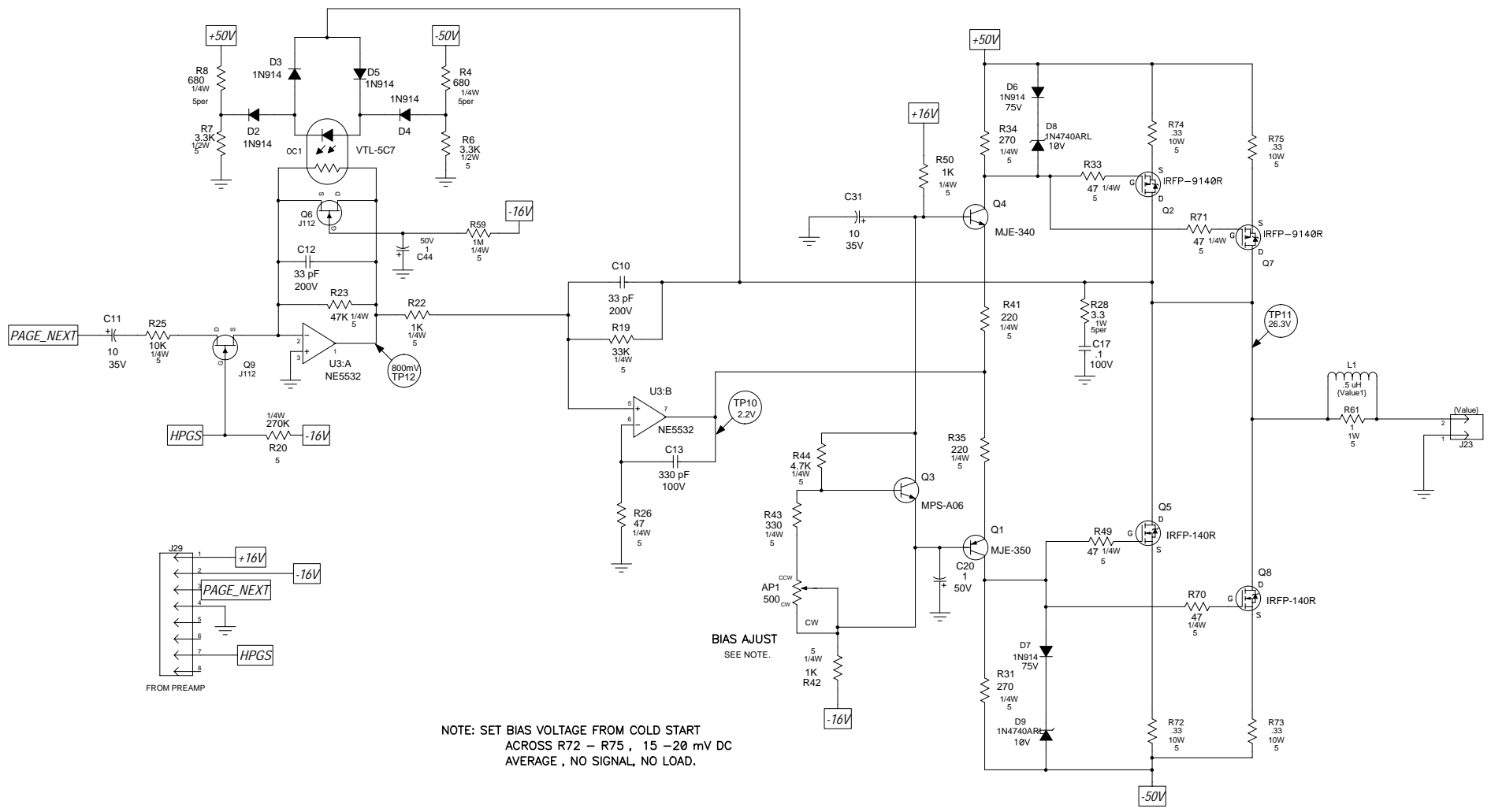
**CAUTION:**  
 THIS SCHEMATIC IS PROVIDED FOR USE BY QUALIFIED PERSONNEL TO AVOID RISK OF ELECTRIC SHOCK. REFER SERVICING TO QUALIFIED SERVICE PERSONNEL. DO NOT PERFORM ANY SERVICING BEYOND THAT EXPLAINED IN THE OPERATING INSTRUCTIONS.

**NOTES:**

- 1) CAUTION: SHOCK HAZARD!! THIS UNIT CONTAINS HAZARDOUS VOLTAGE. DISCONNECT POWER AND BE SURE POWER SUPPLY IS DISCHARGED BEFORE TOUCHING INTERNAL PARTS.
- 2) UNLESS NOTED, RESISTOR VALUES IN OHMS, 1/4W-5% TOL. CAPACITOR VALUES IN MICROFARADS, 50V-10% TOL.
- 3) VOLTAGES ARE MEASURED WITH 1 MEGOHM OSCILLOSCOPE AND 10 MEGOHM DIGITAL VOLTMETER.

**ASSY PN 07-263-01**

0	2/26/01	CONTROL ISSUE		REM	
B	12/12/00	R4 & R8 VALUE TO 480 OHM	R00521	REM	
A	10/19/00	INITIAL ISSUE		REM	
REV	Date	DESCRIPTION	Er(s)/Ecn(s)	Chgd By	Appvd by
THE INFORMATION CONTAINED ON THIS DRAWING IS PROPRIETARY TO ST. LOUIS MUSIC, INC.					
Signatures:		Date:			
Drawn:	OK	4/18/00	11880 Borman Drive, St. Louis, MO 63146		
Checked:	-	-	First Used On:		
Released:			BA210SPa		
Plot Date:	Tue Feb 27, 2001	Plot Time:	07:37:43	Drawing Size:	D
Tolerance:		Class Code:	NONE	Sheet 1 of 2	07S263-XX



NOTE: SET BIAS VOLTAGE FROM COLD START ACROSS R72 - R75, 15 - 20 mV DC AVERAGE, NO SIGNAL, NO LOAD.

TEST POINT CONDITIONS NOTE:  
 1 KHz INPUT SINEWAVE 300Vrms @ 0 dB  
 INPUT JACK. 120VAC LINE, VOLUME & LEVEL @ "10"  
 TONES @ "5", DC VOLTAGES WITH NO SIGNAL APPLIED.

CAUTION:  
 THIS SCHEMATIC IS PROVIDED FOR USE BY QUALIFIED PERSONNEL. TO AVOID RISK OF ELECTRIC SHOCK, REFER SERVICING TO QUALIFIED SERVICE PERSONNEL. DO NOT PERFORM ANY SERVICING BEYOND THAT EXPLAINED IN THE OPERATING INSTRUCTIONS.

- NOTES:  
 1) CAUTION: SHOCK HAZARD!! THIS UNIT CONTAINS HAZARDOUS VOLTAGE. DISCONNECT POWER AND BE SURE POWER SUPPLY IS DISCHARGED BEFORE TOUCHING INTERNAL PARTS.  
 2) UNLESS NOTED, RESISTOR VALUES IN OHMS, 1/4W-5% TOL. CAPACITOR VALUES IN MICROFARADS, 50V-10% TOL.  
 3) VOLTAGES ARE MEASURED WITH 1 MEGOHM OSCILLOSCOPE AND 10 MEGOHM DIGITAL VOLTMETER.

TP1 THRU TP11  
 AC Vrms

TP12 THRU TP15  
 DC VOLTS p-p power supply RIPPLe voltages

0	2/26/01	CONTROL ISSUE	-	REM		
B	12/12/00	R4 & R8 VALUE TO 680 OHM	R00521	REM		
A	10/19/00	INITIAL ISSUE	-	-		
REV	Date	DESCRIPTION	Ecr(s)/Ecn(s)	Chgd By	Appvd by	Date
THE INFORMATION CONTAINED ON THIS DRAWING IS PROPRIETARY TO ST. LOUIS MUSIC, INC.						
Signatures:		Date:		 11880 Borman Drive, St. Louis, MO 63146		
Drawn:	OK	4/18/00				
Checked:	-	-		First Used On:		
Released:				BA210SPa		
Plot Date:	Tue Feb 27, 2001	Drawing Size:	C		Drawing Title:	
Plot Time:	07:37:46	Drawing Type:	Schematic		SCHEMATIC -BASS AMP	
Tolerance:		Class Code: NONE		Drawing Number:		
		Sheet 2 of 2		07S263-XX		