

CHANNEL A (CLEAN CHANNEL)	CHANNEL B (DIRTY CHANNEL)
1. 100 p.p.s	100 p.p.s
2. 100 p.p.s	100 p.p.s
3. 100 p.p.s	100 p.p.s
4. 100 p.p.s	100 p.p.s
5. 100 p.p.s	100 p.p.s
6. 100 p.p.s	100 p.p.s
7. 100 p.p.s	100 p.p.s
8. 100 p.p.s	100 p.p.s
9. 100 p.p.s	100 p.p.s
10. 100 p.p.s	100 p.p.s
11. 100 p.p.s	100 p.p.s
12. 100 p.p.s	100 p.p.s
13. 100 p.p.s	100 p.p.s
14. 100 p.p.s	100 p.p.s
15. 100 p.p.s	100 p.p.s

ALL CONTROLS MAX. EXCEPT CH. 5 LEVEL, # 5 AND REV. A, # 5 & # 0
 TRIGGER SIGNAL, LEVEL # 5 ONLY
 LINE VOLTAGE, 120VAC @ 60Hz
 ALL DC VOLTAGES WITH NO SIGNAL APPLIED

NOTES
 1) CAUTION: SHOCK HAZARD!
 THIS UNIT CONTAINS HAZARDOUS VOLTAGE. DISCONNECT POWER AND BE SURE POWER SUPPLY IS DISCHARGED BEFORE TOUCHING INTERNAL PARTS.
 2) UNLESS NOTED, RESISTOR VALUES IN OHMS, 1/4W-5% TOL. CAPACITOR VALUES IN MICROFARADS, 50V-10% TOL.
 3) VOLTAGES ARE MEASURED WITH A MEGOHM OSCILLOSCOPE AND 10 MEGOHM DIGITAL VOLTMETER.
 CIRCUIT GROUND ϕ SWITCH GROUND ϕ CHASSIS GROUND ϕ
 4)
 CAUTION
 THIS SCHEMATIC IS PROVIDED FOR USE BY QUALIFIED PERSONNEL TO AVOID RISK OF ELECTRIC SHOCK. REFER SERVICING TO QUALIFIED SERVICE PERSONNEL. DO NOT PERFORM ANY SERVICING BEYOND THAT EXPLAINED IN THE OPERATING INSTRUCTIONS.

LAST DESIGNATOR

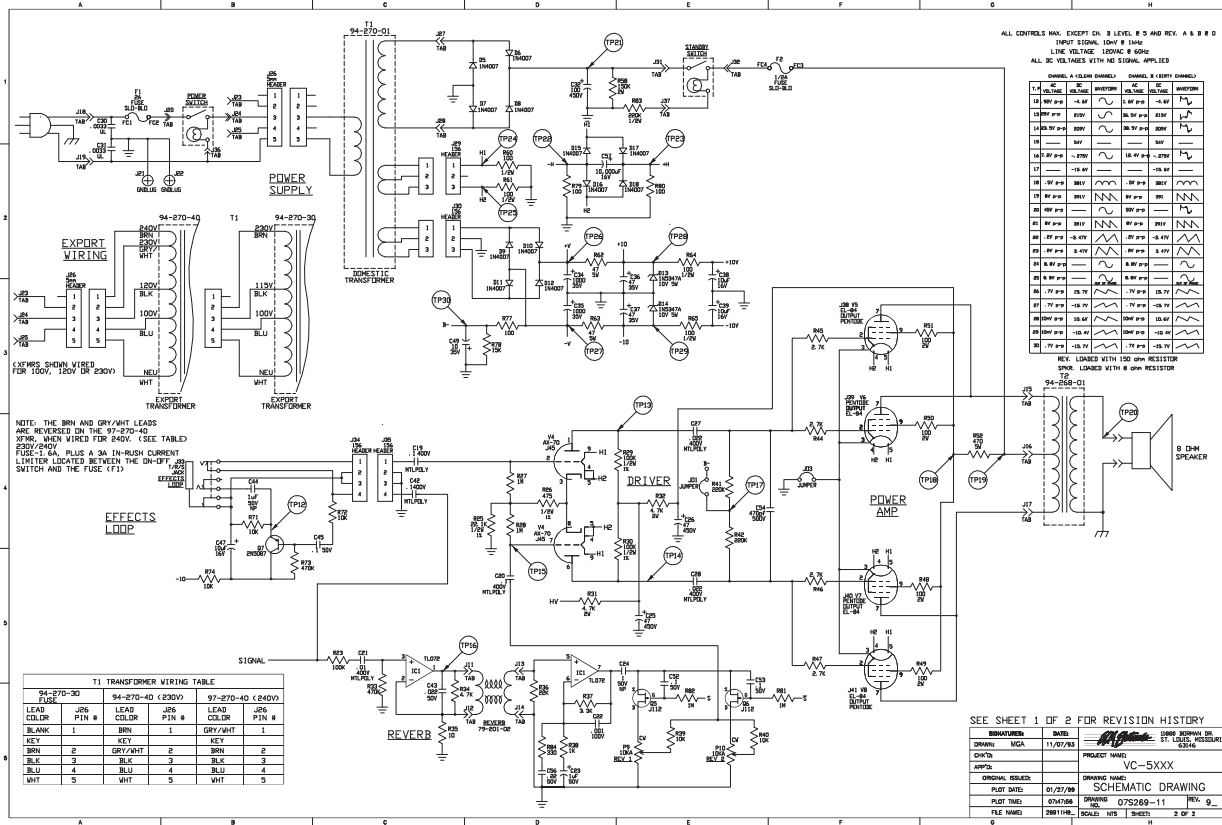
- R84 D19
- C56 P10
- I25 I11
- J30 FC4

UNUSED DESIGNATOR

- G3 O4
- C6 C7
- C46 J22
- C29 R43

REV	DATE	BY	CHK'D	DESCRIPTION
1	11/17/97	JW43		ADD LABEL TO PCL 40 CHG TO SOL PER 870077
2	08/24/97	JW43		CHG P10 TO P10 PER 870077
3	08/24/97	JW43		CHG FUSERS PER 870077
4	02/13/97	REV	OK	CHG TO J22 PER 870077
5	01-1-96	REV		REV THE WIRE BOARD CHANGE PER 870077
6	10/02/94	REV		CHG'S J11 TO J22 PER 870077
7	04/08/94	REV		CHG'S J11 TO J22 PER 870077
8	04/08/94	REV		WRT TO REV. 5, CHANGED VALUES PER 870077 & 182.

REV	DATE	BY	CHK'D	DESCRIPTION
01	11/27/93	JW43		ISSUE SCHEMATIC PER 870077
02	11/27/93	JW43		ISSUE SCHEMATIC PER 870077
03	11/27/93	JW43		ISSUE SCHEMATIC PER 870077
04	11/27/93	JW43		ISSUE SCHEMATIC PER 870077
05	11/27/93	JW43		ISSUE SCHEMATIC PER 870077
06	11/27/93	JW43		ISSUE SCHEMATIC PER 870077
07	11/27/93	JW43		ISSUE SCHEMATIC PER 870077
08	11/27/93	JW43		ISSUE SCHEMATIC PER 870077
09	11/27/93	JW43		ISSUE SCHEMATIC PER 870077
10	11/27/93	JW43		ISSUE SCHEMATIC PER 870077
11	11/27/93	JW43		ISSUE SCHEMATIC PER 870077
12	11/27/93	JW43		ISSUE SCHEMATIC PER 870077
13	11/27/93	JW43		ISSUE SCHEMATIC PER 870077
14	11/27/93	JW43		ISSUE SCHEMATIC PER 870077
15	11/27/93	JW43		ISSUE SCHEMATIC PER 870077
16	11/27/93	JW43		ISSUE SCHEMATIC PER 870077
17	11/27/93	JW43		ISSUE SCHEMATIC PER 870077
18	11/27/93	JW43		ISSUE SCHEMATIC PER 870077
19	11/27/93	JW43		ISSUE SCHEMATIC PER 870077
20	11/27/93	JW43		ISSUE SCHEMATIC PER 870077



SEE SHEET 1 OF 2 FOR REVISION HISTORY

REVISION	DATE	BY	REASON
001	11/07/83	ST. LAZARUS	INITIAL DESIGN

PROJECT NAME: VC-5XXX
 DRAWING NAME: SCHEMATIC DRAWING
 FILE NAME: 075269-11