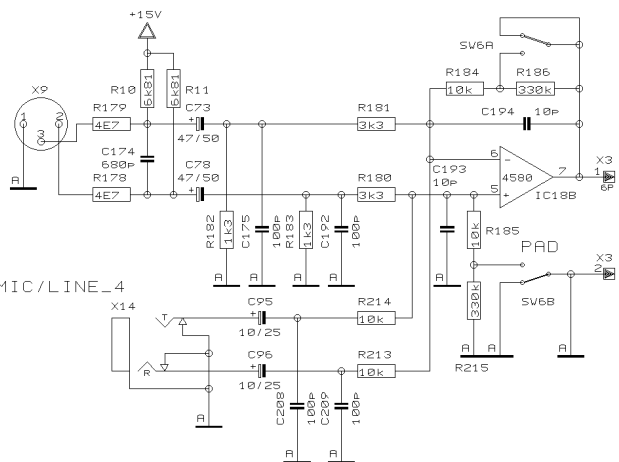
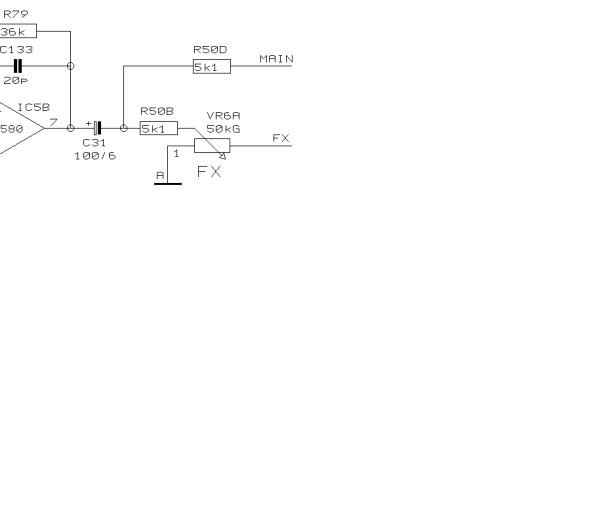
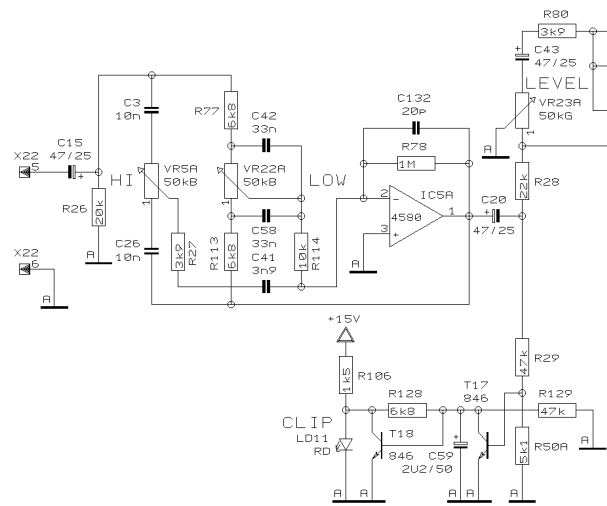
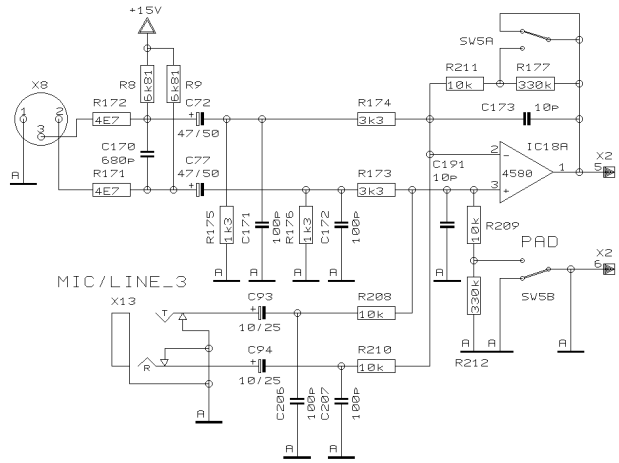
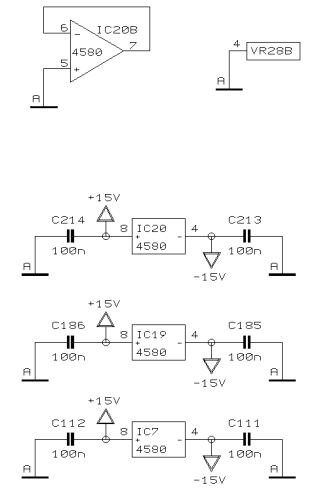
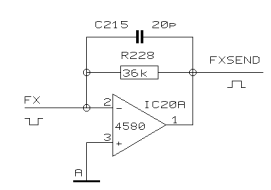
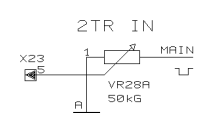
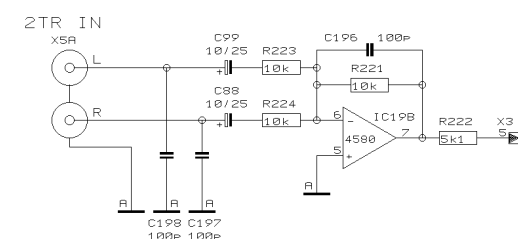
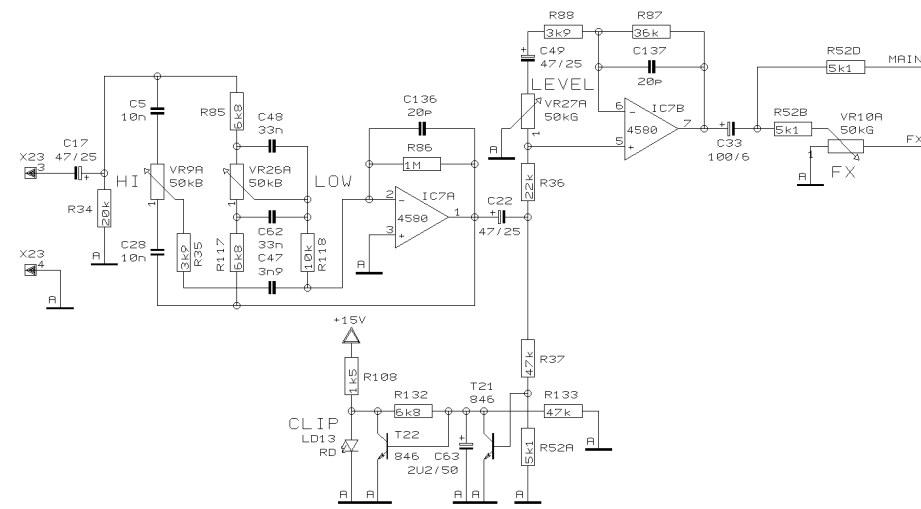
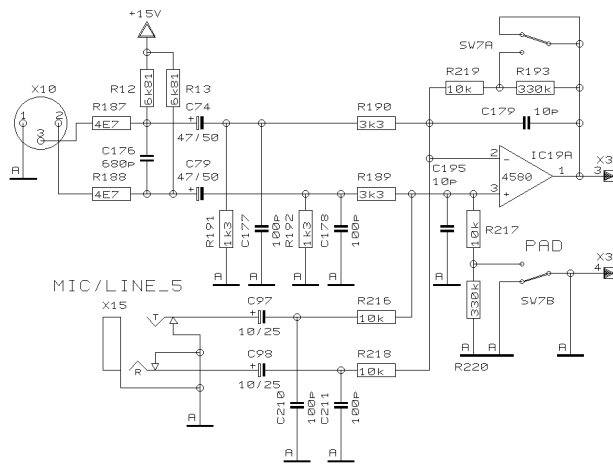


REVISIONS		D (04/11/05)	
DRAWN	SA	CHECKED	DATE 16.11. 6 11:05



PROJECT
PMH518M
EUROPOWER
MONO CHANNEL 1-2
SHEET 1 OF 5 SHEETS TOTAL

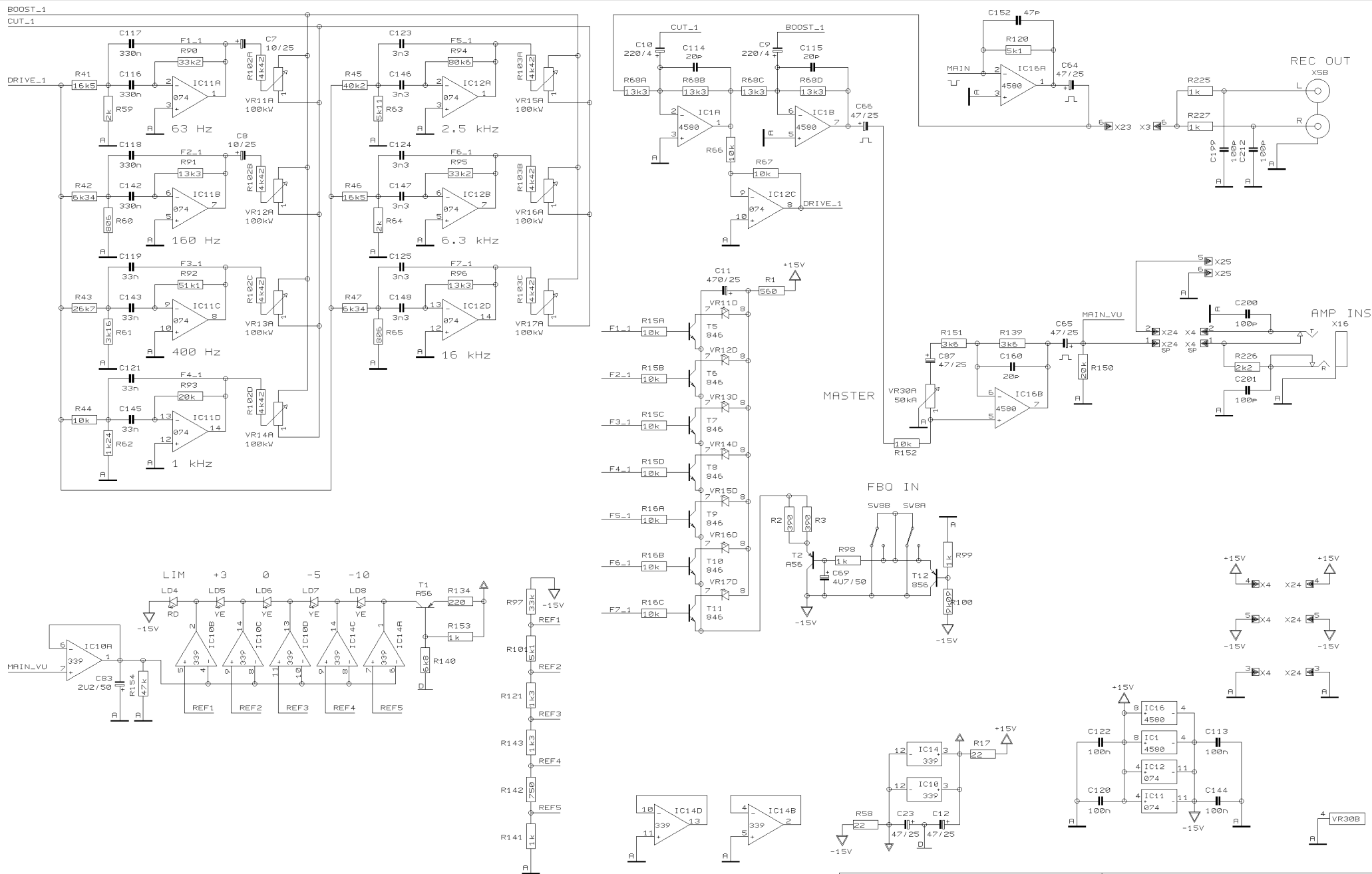




REVISIONS		D	
DRAWN	SA	CHECKED	DATE 16.11. 6 11:05



PROJECT
PMH518M
EUROPOWER
CHANNEL 5/TAPE/FX
SHEET 3 OF 5 SHEETS TOTAL



REVISIONS

D

DRAWN SA

CHECKED

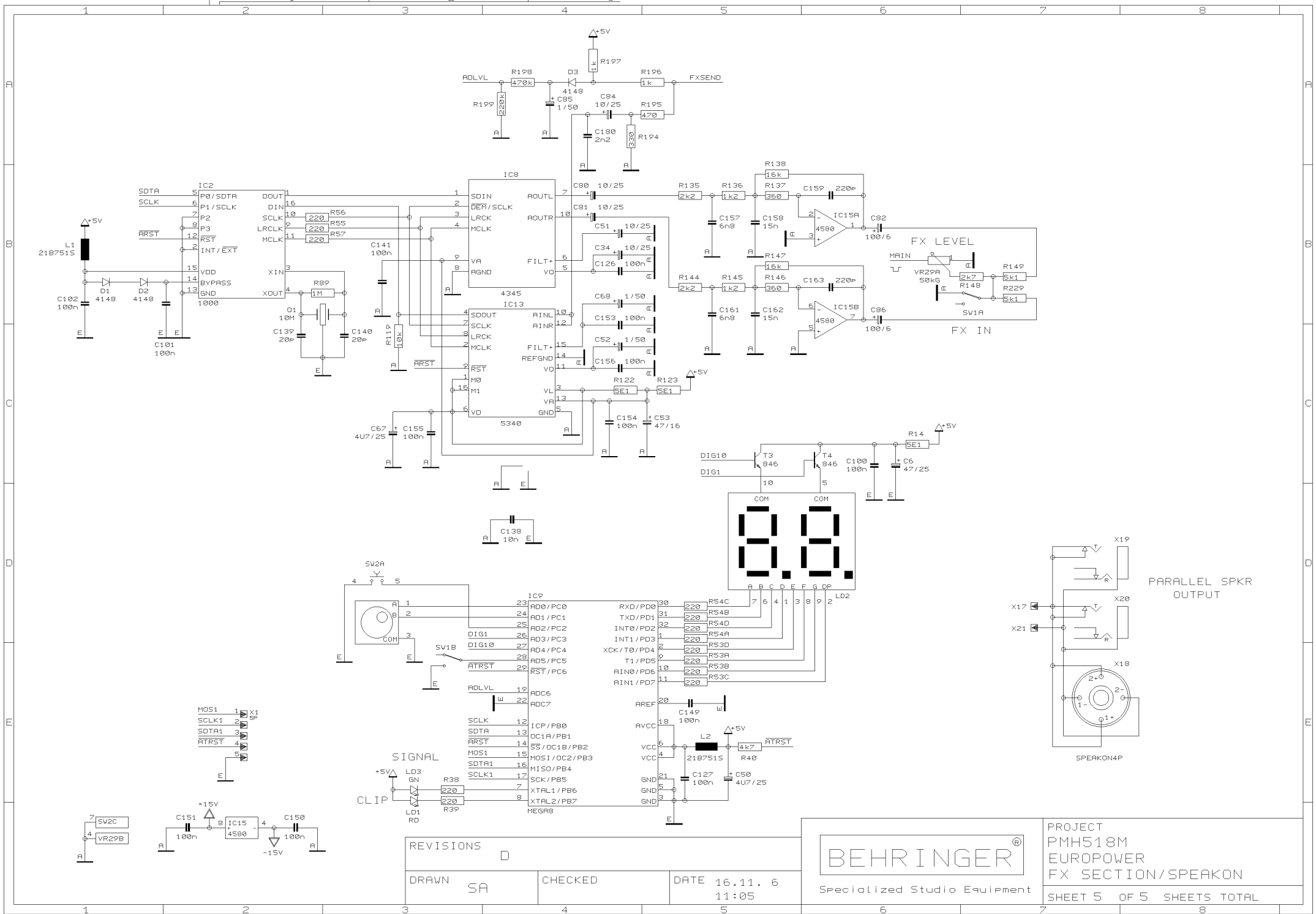
DATE 16.11. 6
11:05

BEHRINGER®

Specialized Studio Equipment

PROJECT
PMH518M
EUROPOWER
GRAPHIC EQ/FBQ/VU METER

SHEET 4 OF 5 SHEETS TOTAL



REVISIONS
D

DRAWN SA

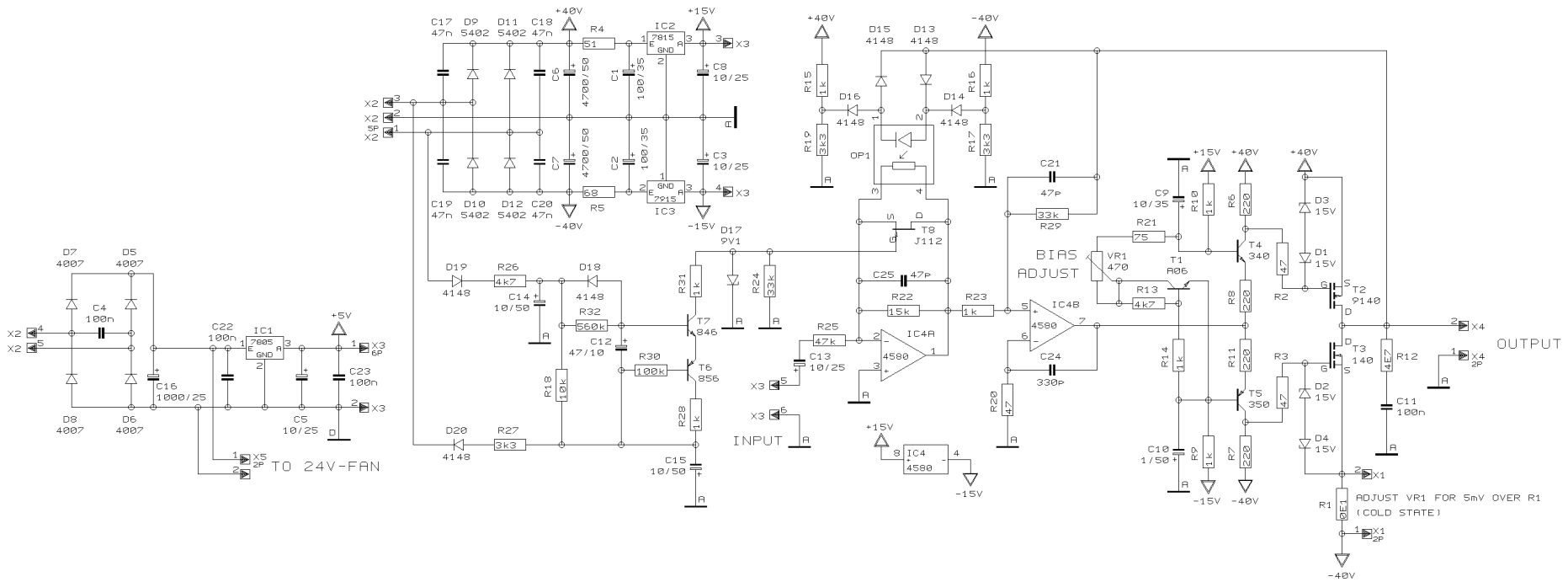
CHECKED

DATE 16.11. 6
11:05



Specialized Studio Equipment

PROJECT
PMH518M
EUROPOWER
FX SECTION/SPEAKON
SHEET 5 OF 5 SHEETS TOTAL



REVISIONS G (05/06/06)

DRAWN SA

CHECKED

DATE 23.11. 6
14:11

BEHRINGER
Specialized Studio Equipment

PROJECT
LPA1180
180W POWER AMP
SCHEMATICS
SHEET 1 OF 1 SHEETS TOTAL