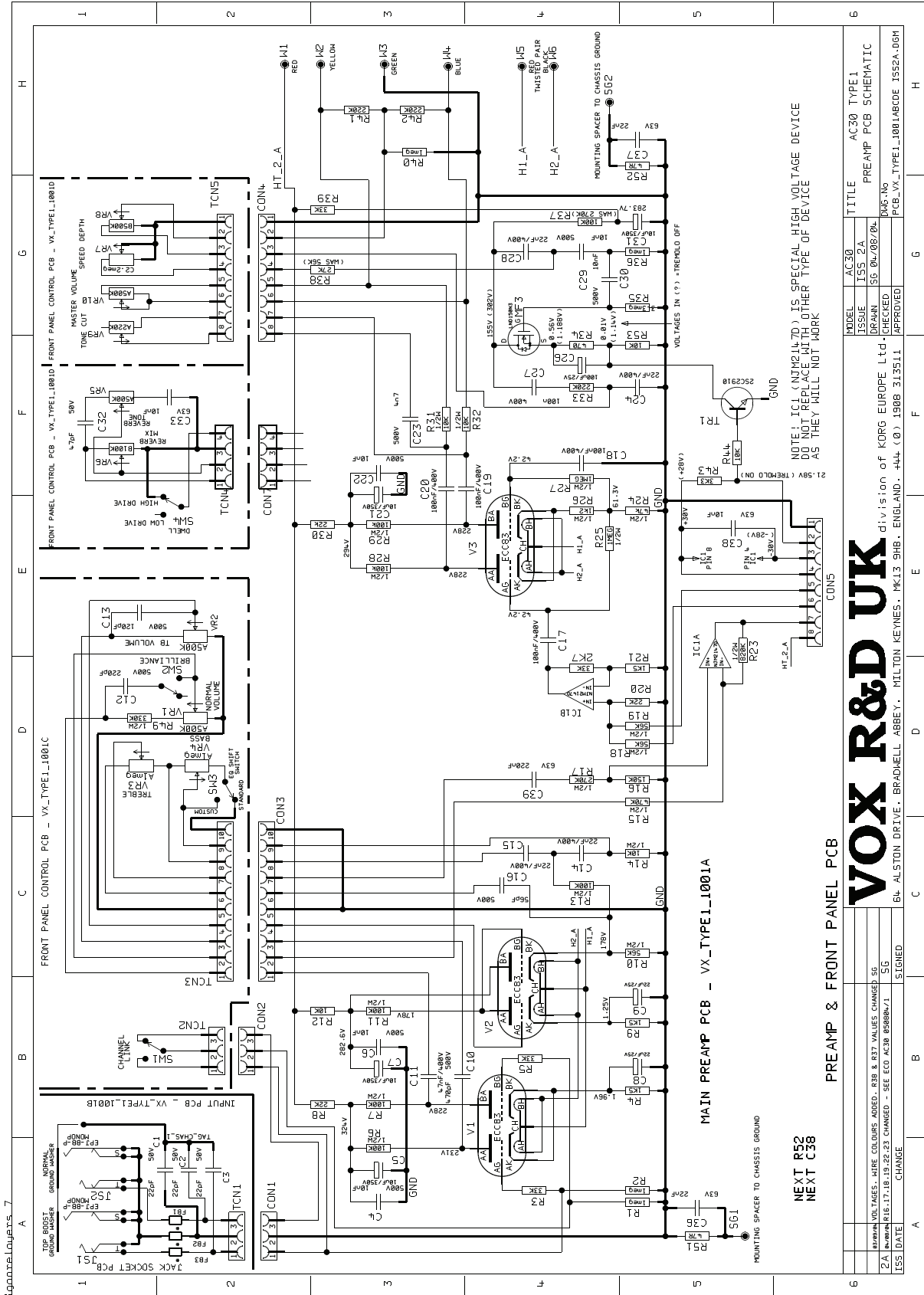


# ★ SCHEMATIC DIAGRAM (AMP)

**AC30CC2**



NOTE: IC1 (K1024L70) IS SPECIAL HIGH VOLTAGE DEVICE  
DO NOT REPLACE WITH OTHER TYPE OF DEVICE  
AS THEY WILL NOT WORK

MODEL		TITLE	
AC30	AC30 TYPE1	ISSUE	ISS 2A
ISSUE	ISS 2A	DRAWN	5G 04/08/04
DRAWN	5G 04/08/04	CHECKED	5G
CHECKED	5G	APPROVED	5G
APPROVED	5G	PCB-VX_TYPE1_1001A.CDE	1552A-06H

**VOX R&D UK**

division of KORG EUROPE LTD

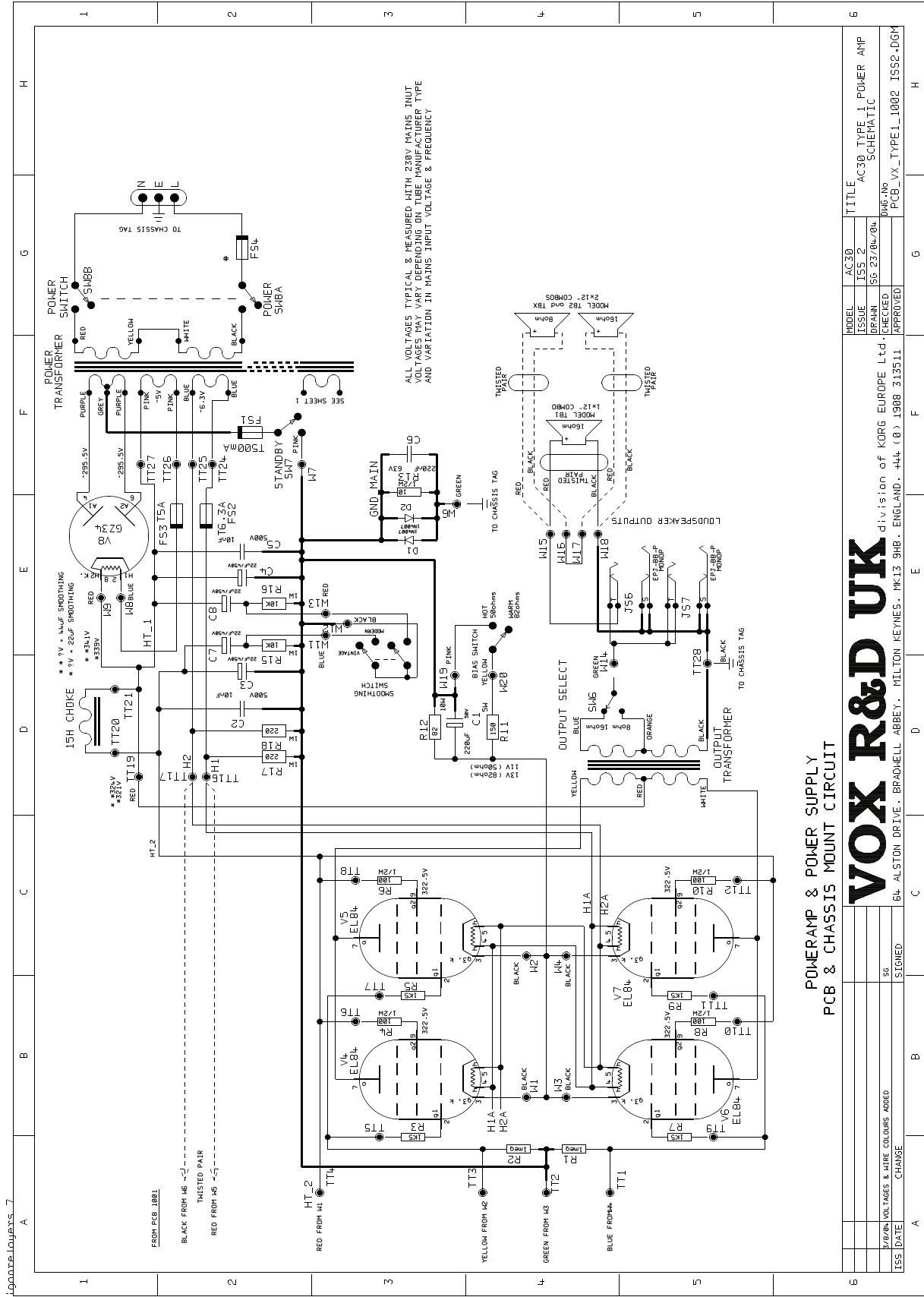
64 ALSTON DRIVE · BRADWELL ABBEY · MILTON KEYNES · MK13 9NB · ENGLAND · +44 (0) 1908 315511

PREAMP & FRONT PANEL PCB

NEXT P35  
NEXT C38

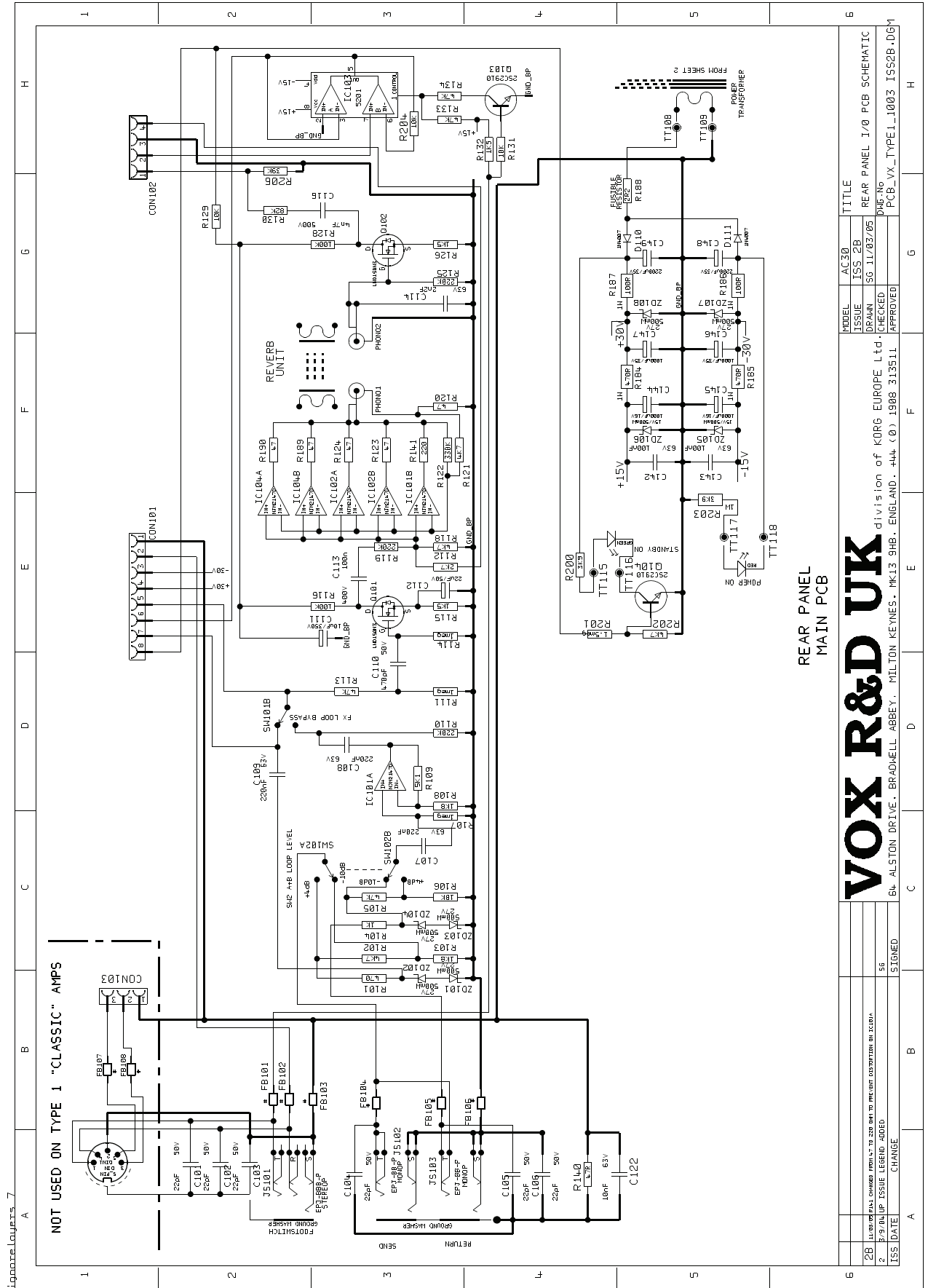
# ★ SCHEMATIC DIAGRAM(AMP)

**AC30CC2**



# ★ SCHEMATIC DIAGRAM (AMP)

**AC30CC2**



REAR PANEL  
MAIN PCB

MODEL	AC30	TITLE	REAR PANEL I/O PCB SCHEMATIC
ISSUE	ISS 2B	DRN	56 11/03/05
DRAWN	56 11/03/05	CHKD	
ISS	56	APPD	
ISS DATE	CHANGE		

division of KORG EUROPE Ltd.  
 64 ALSTON DRIVE, BRADWELL ABBEY, MILTON KEYNES, MK13 9HB, ENGLAND. +44 (0) 1908 313511  
 PCB\_VX\_TYPE1-1003 ISS2B.dgn