

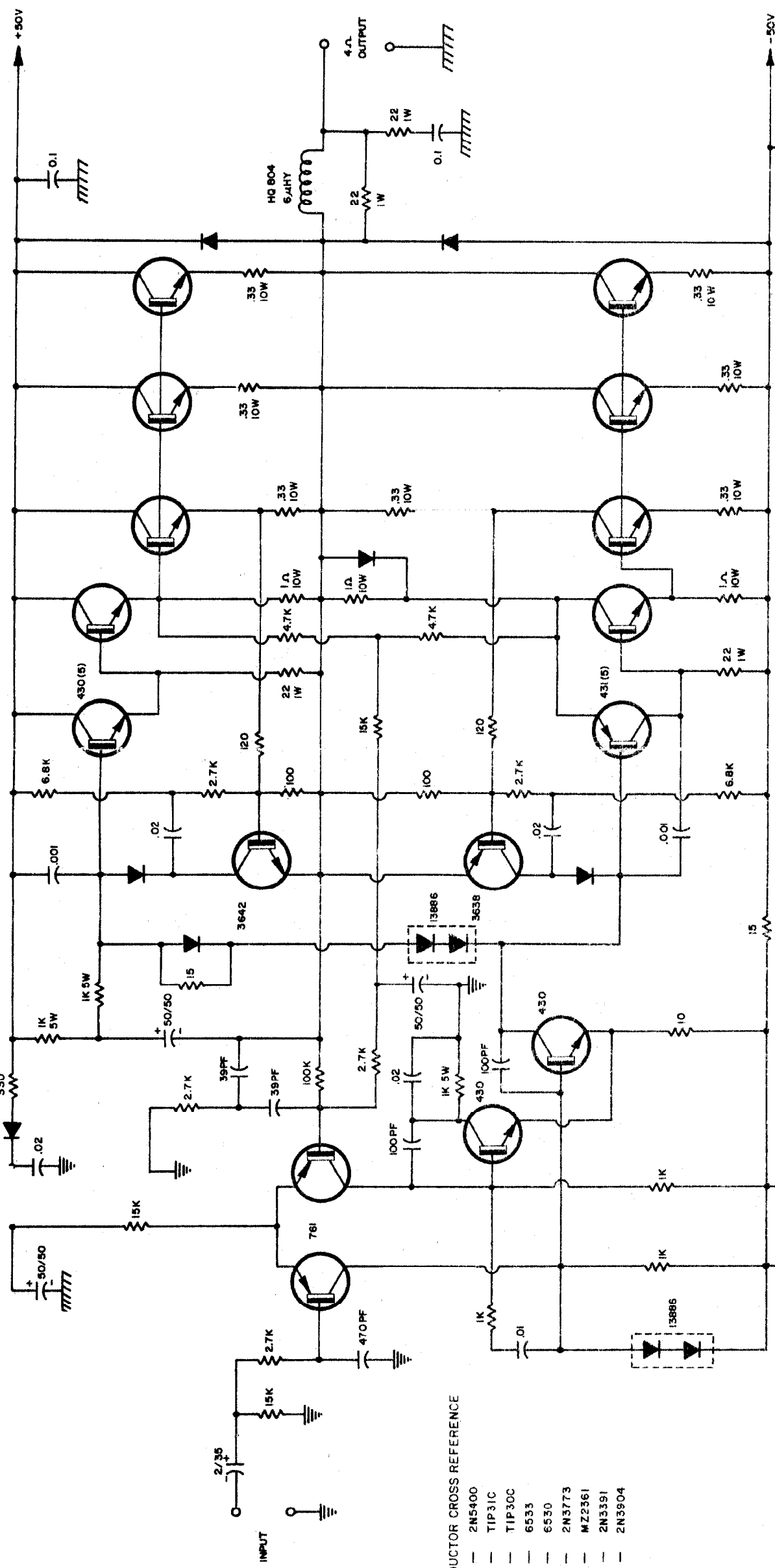
NOTE  
 ALL TRANSISTORS SPS 953 UNLESS NOTED  
 ALL RESISTORS 1/2W UNLESS NOTED  
 ALL CAPACITORS IN MFD UNLESS NOTED

PA-400 PREAMP  
 B SERIES

PEAVEY ELECTRONICS  
 MERIDIAN MISS  
 DRAWN BY: *[Signature]* DATE 12 16 74  
 CHECKED BY: *[Signature]*  
 APPROVED BY: *[Signature]*

P/N 81520245

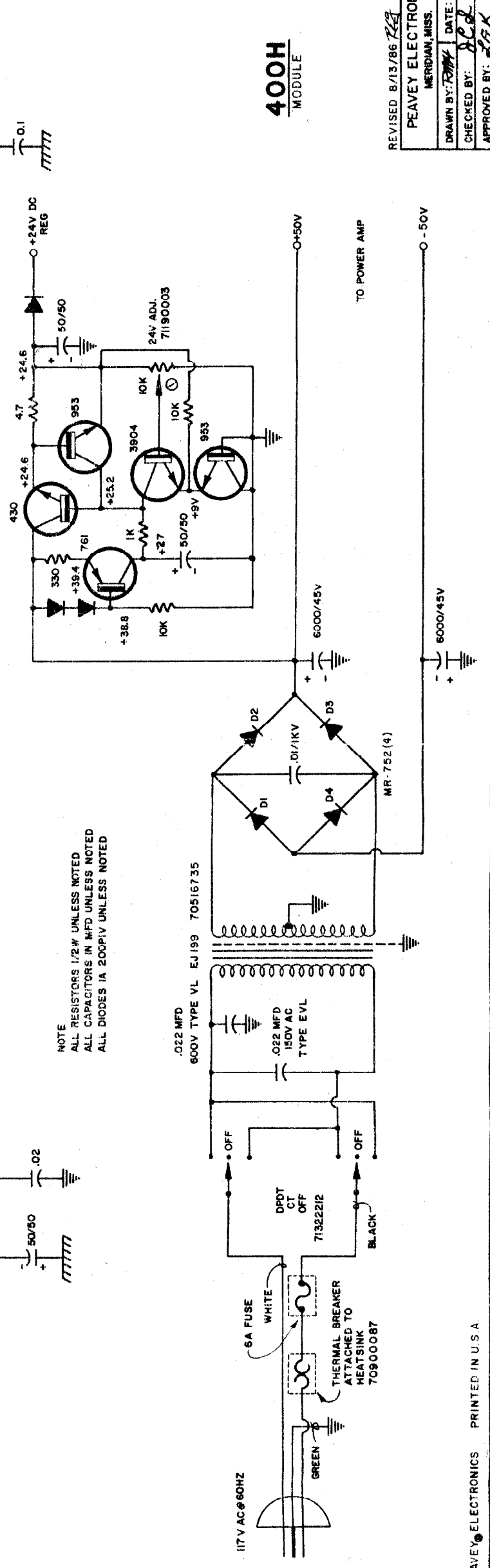
62188-(B)



SEMICONDUCTOR CROSS REFERENCE

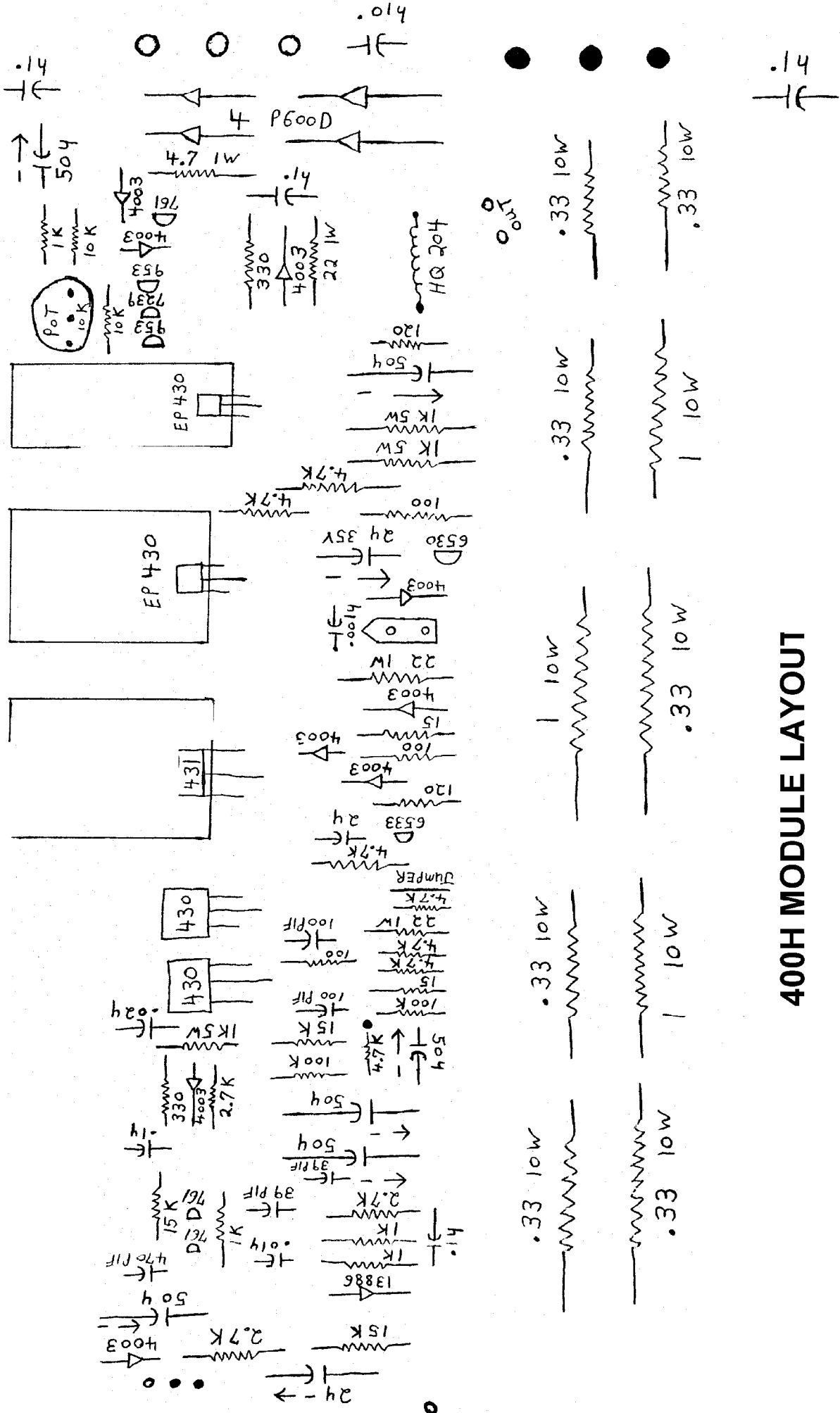
761	2N5400
430	TIP31C
431	TIP30C
2N3638	6533
2N3642	6530
62188	2N3773
13886	MZ2361
953	2N3391
3904	2N3904

NOTE  
ALL RESISTORS 1/2W UNLESS NOTED  
ALL CAPACITORS IN MFD UNLESS NOTED  
ALL DIODES 1A 200PIV UNLESS NOTED



400H  
MODULE

REVISED 8/13/86  
PEAVEY ELECTRONICS  
MERIDIAN, MISS.  
DRAWN BY: [Signature]  
CHECKED BY: [Signature]  
DATE: 12-10-75  
APPROVED BY: [Signature]



# 400H MODULE LAYOUT