

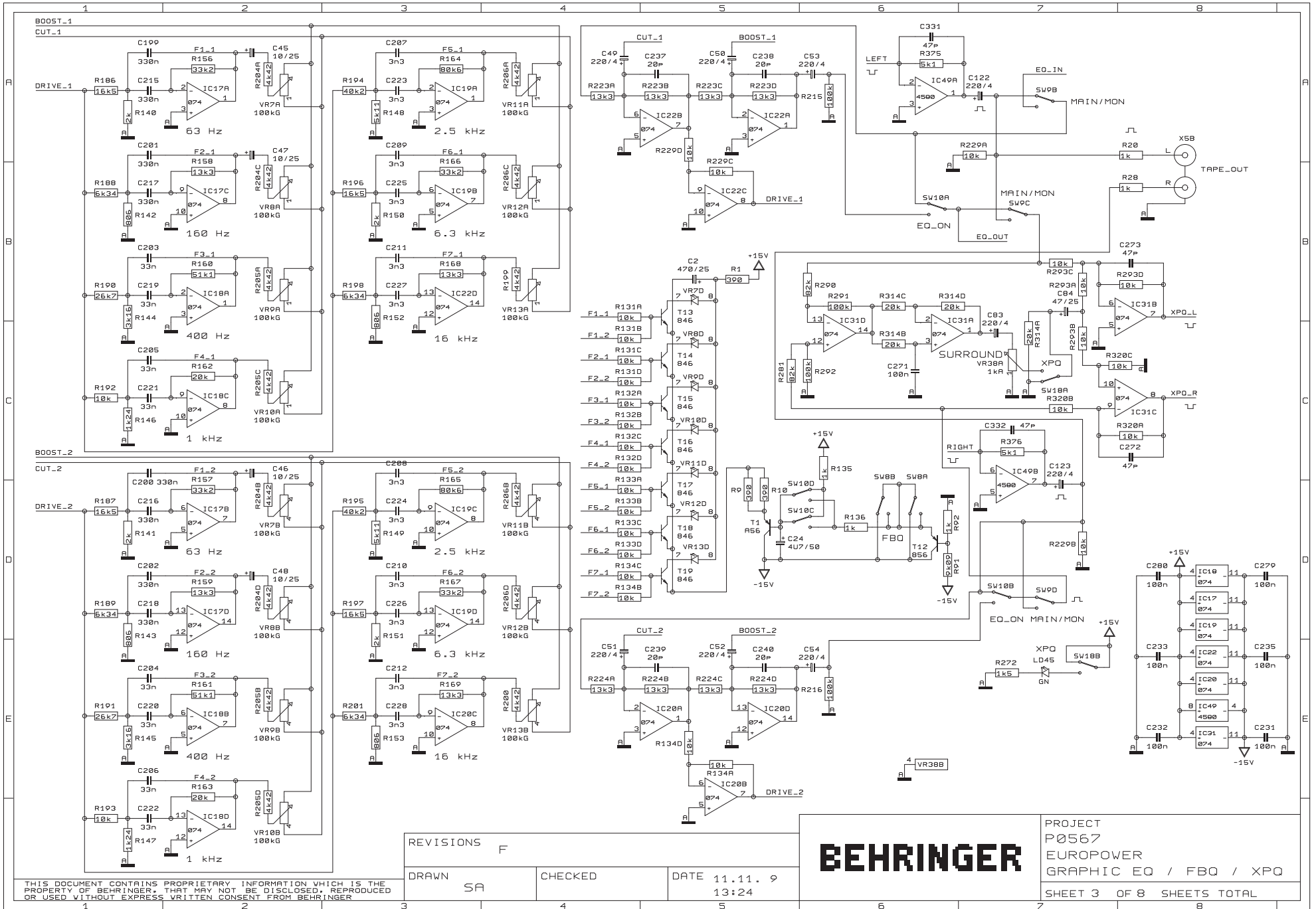
REVISIONS F (23/08/05)

DRAWN SA CHECKED DATE 11.11. 9 13:24

BEHRINGER

PROJECT P0567
 EUROPOWER
 STEREO CHANNEL 13-16
 SHEET 1 OF 8 SHEETS TOTAL

THIS DOCUMENT CONTAINS PROPRIETARY INFORMATION WHICH IS THE PROPERTY OF BEHRINGER. THAT MAY NOT BE DISCLOSED, REPRODUCED OR USED WITHOUT EXPRESS WRITTEN CONSENT FROM BEHRINGER



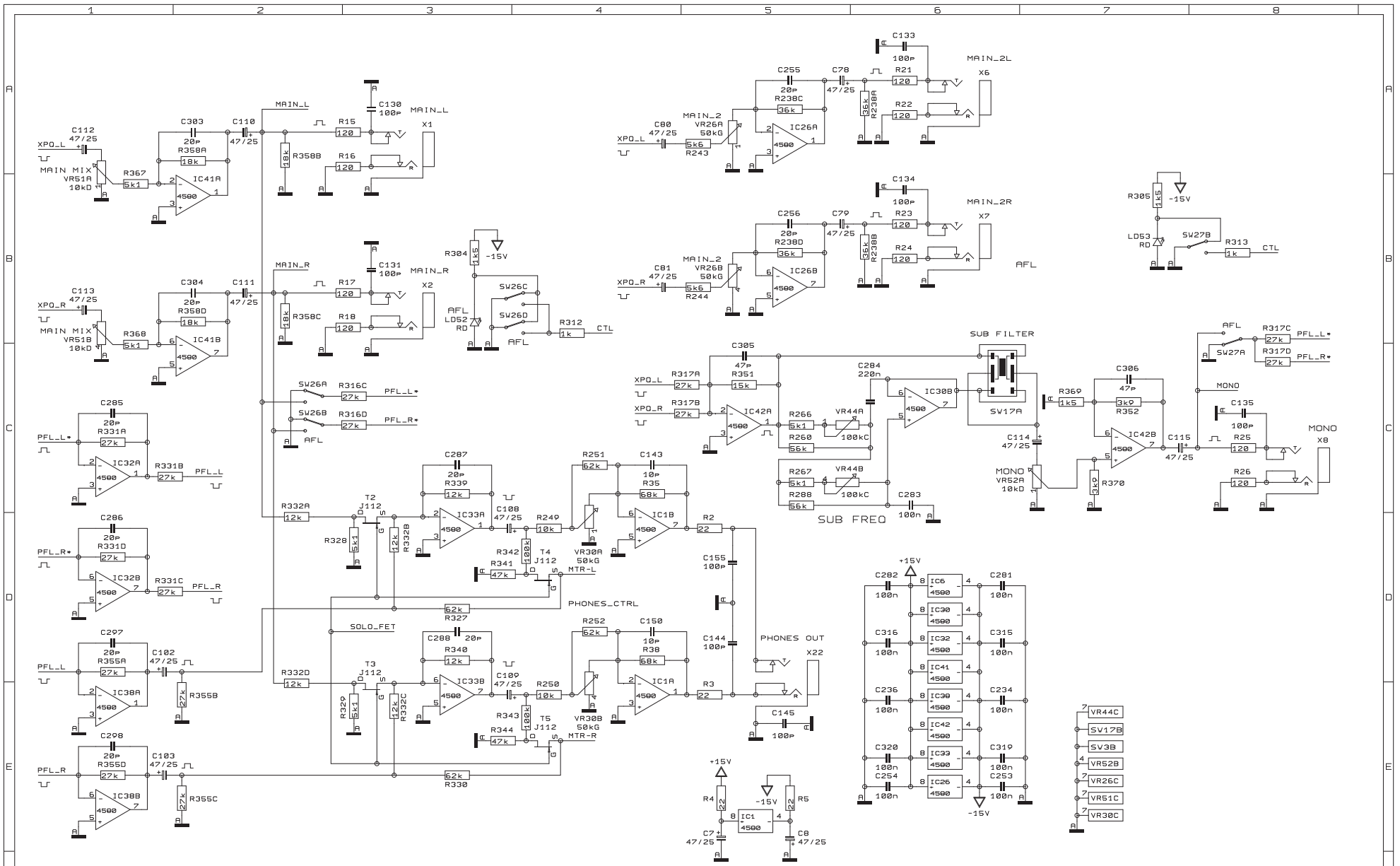
REVISIONS	F
-----------	---

DRAWN	SA	CHECKED	DATE	11.11. 9
				13:24

BEHRINGER

PROJECT
P0567
EUROPOWER
GRAPHIC EQ / FBO / XPO
SHEET 3 OF 8 SHEETS TOTAL

THIS DOCUMENT CONTAINS PROPRIETARY INFORMATION WHICH IS THE PROPERTY OF BEHRINGER. THAT MAY NOT BE DISCLOSED, REPRODUCED OR USED WITHOUT EXPRESS WRITTEN CONSENT FROM BEHRINGER



REVISIONS F

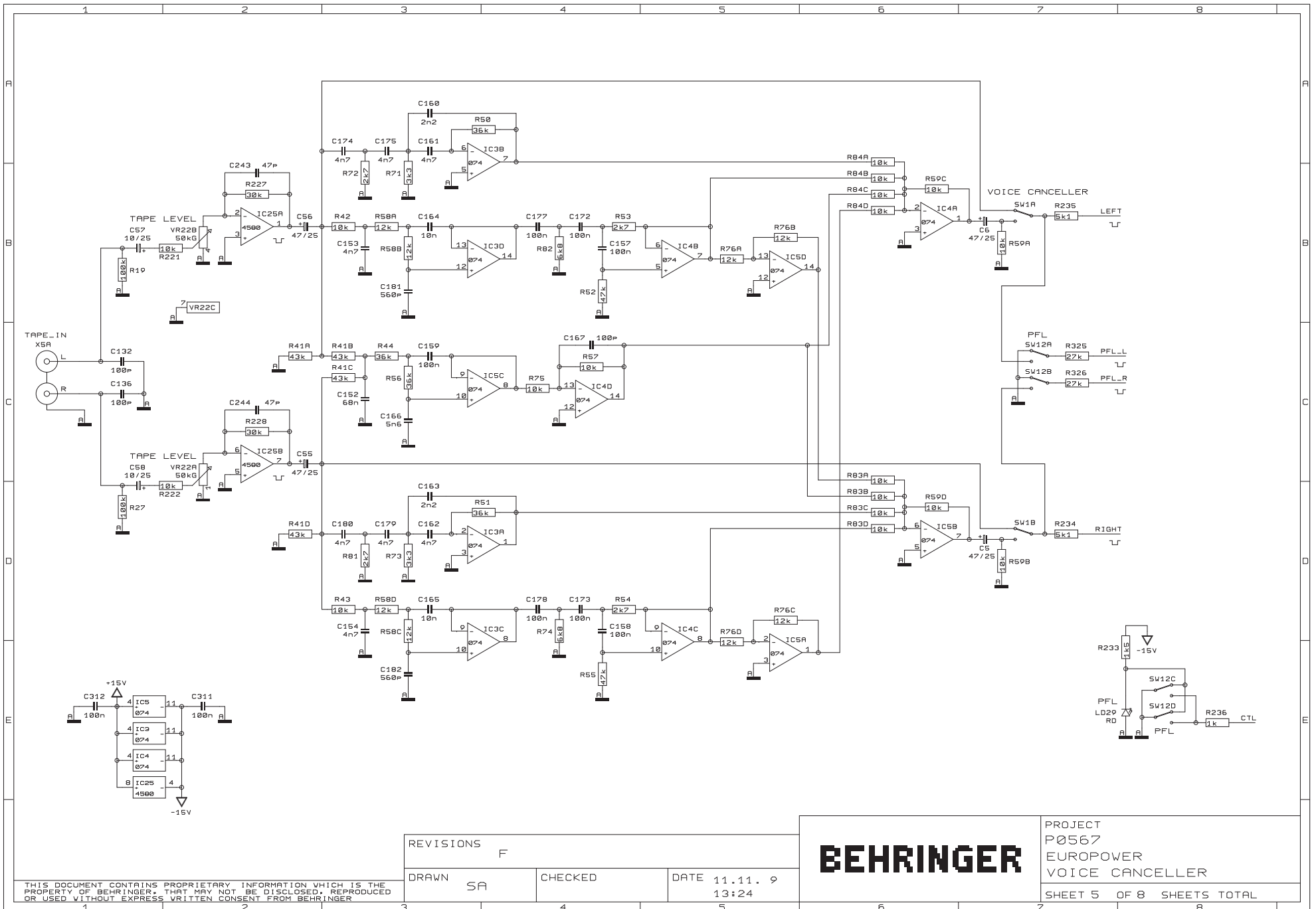
DRAWN SA CHECKED DATE 11.11. 9 13:24

BEHRINGER

PROJECT P0567
EUROPOWER
MAIN SECTION

SHEET 4 OF 8 SHEETS TOTAL

THIS DOCUMENT CONTAINS PROPRIETARY INFORMATION WHICH IS THE PROPERTY OF BEHRINGER. THAT MAY NOT BE DISCLOSED, REPRODUCED OR USED WITHOUT EXPRESS WRITTEN CONSENT FROM BEHRINGER



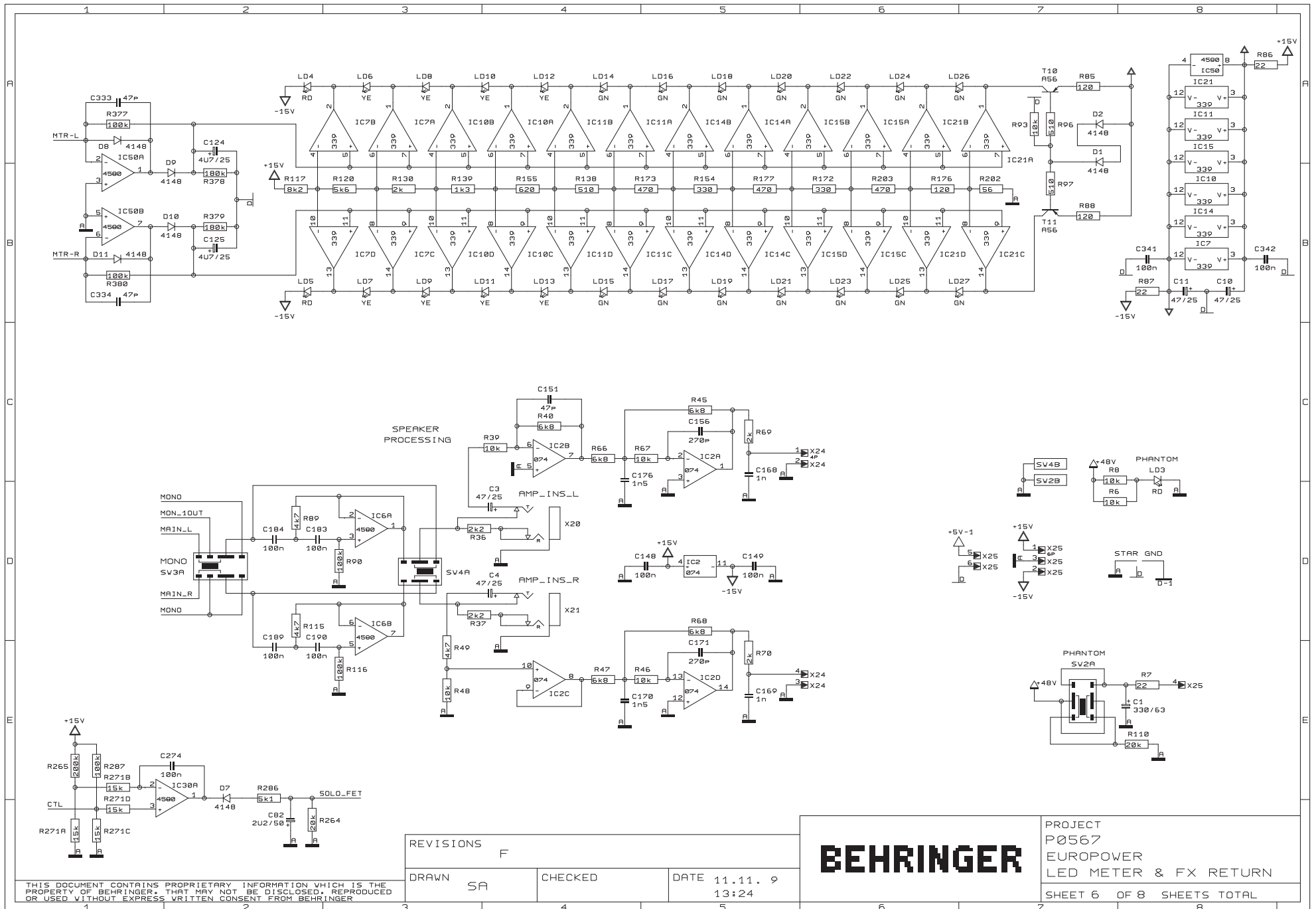
REVISIONS	F
-----------	---

DRAWN	SA	CHECKED	DATE	11.11. 9
				13:24

BEHRINGER

PROJECT
P0567
EUROPOWER
VOICE CANCELLER
SHEET 5 OF 8 SHEETS TOTAL

THIS DOCUMENT CONTAINS PROPRIETARY INFORMATION WHICH IS THE PROPERTY OF BEHRINGER. THAT MAY NOT BE DISCLOSED, REPRODUCED OR USED WITHOUT EXPRESS WRITTEN CONSENT FROM BEHRINGER

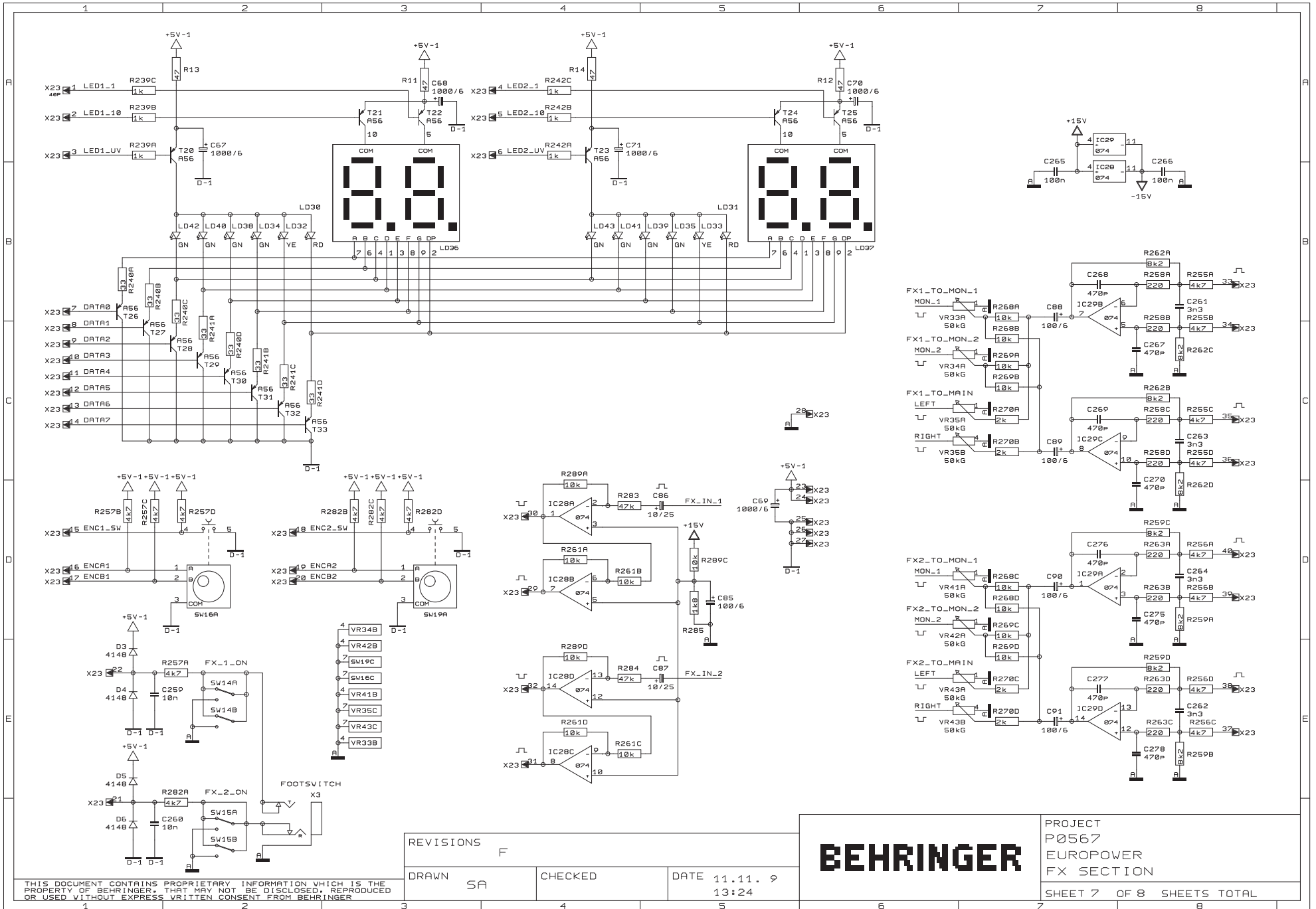


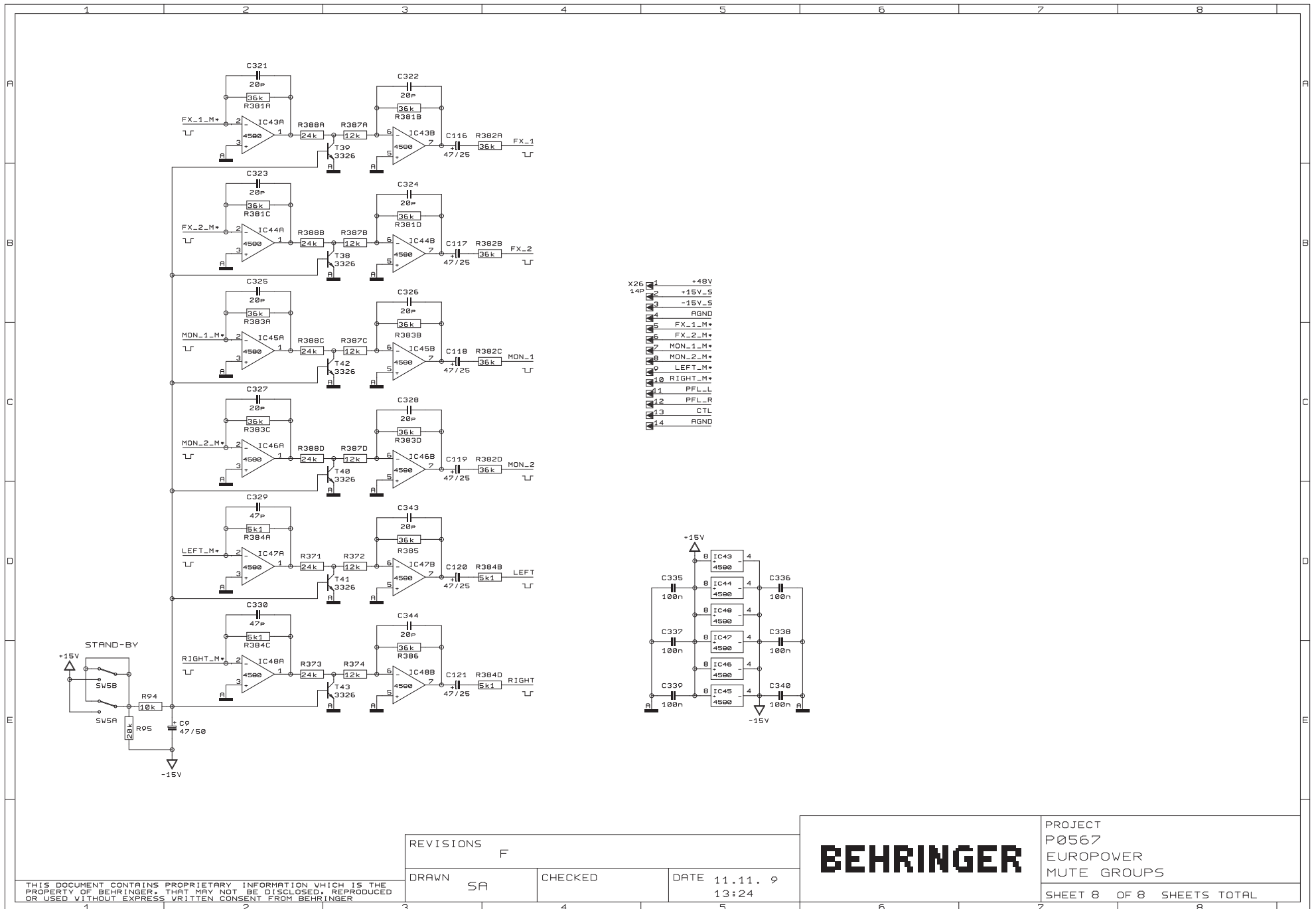
THIS DOCUMENT CONTAINS PROPRIETARY INFORMATION WHICH IS THE PROPERTY OF BEHRINGER. THAT MAY NOT BE DISCLOSED, REPRODUCED OR USED WITHOUT EXPRESS WRITTEN CONSENT FROM BEHRINGER

REVISIONS		
F		
DRAWN	CHECKED	DATE
SA		11.11.9 13:24

BEHRINGER

PROJECT
P0567
EUROPOWER
LED METER & FX RETURN
SHEET 6 OF 8 SHEETS TOTAL





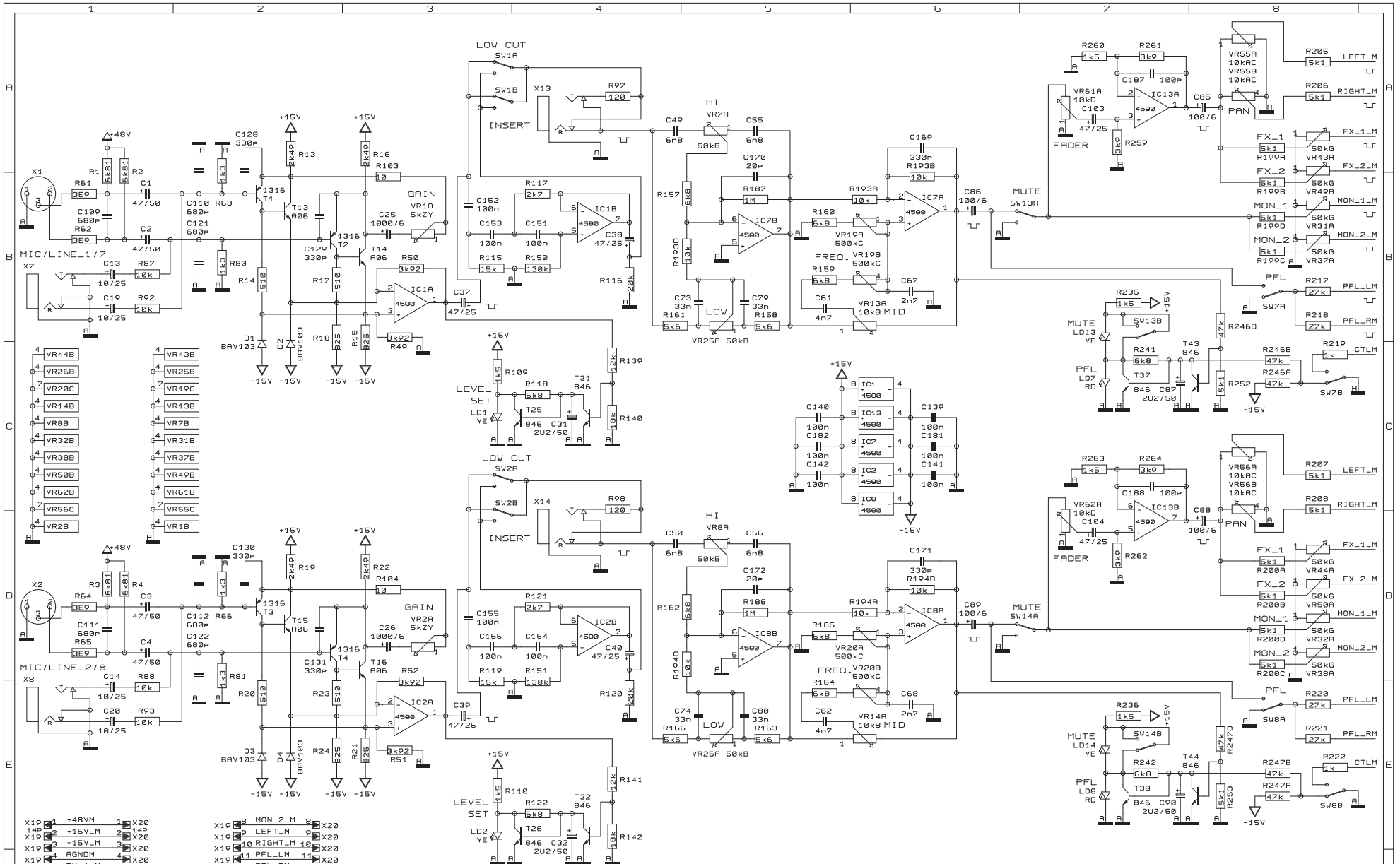
REVISIONS		
F		
DRAWN	CHECKED	DATE
SA		11.11. 9
		13:24



PROJECT
P0567
EUROPOWER
MUTE GROUPS

SHEET 8 OF 8 SHEETS TOTAL

THIS DOCUMENT CONTAINS PROPRIETARY INFORMATION WHICH IS THE PROPERTY OF BEHRINGER. THAT MAY NOT BE DISCLOSED, REPRODUCED OR USED WITHOUT EXPRESS WRITTEN CONSENT FROM BEHRINGER



- X19 1 +48VM 1 X20
- X14 2 +15V_M 2 X20
- X10 3 -15V_M 3 X20
- X10 4 RGNDM 4 X20
- X10 5 FX_1_M 5 X20
- X10 6 FX_2_M 6 X20
- X10 7 MON_1_M 7 X20
- X19 8 MON_2_M 8 X20
- X19 9 LEFT_M 9 X20
- X10 10 RIGHT_M 10 X20
- X10 11 PFL_LM 11 X20
- X10 12 PFL_RM 12 X20
- X10 13 CTLM 13 X20
- X19 14 RGNDM 14 X20

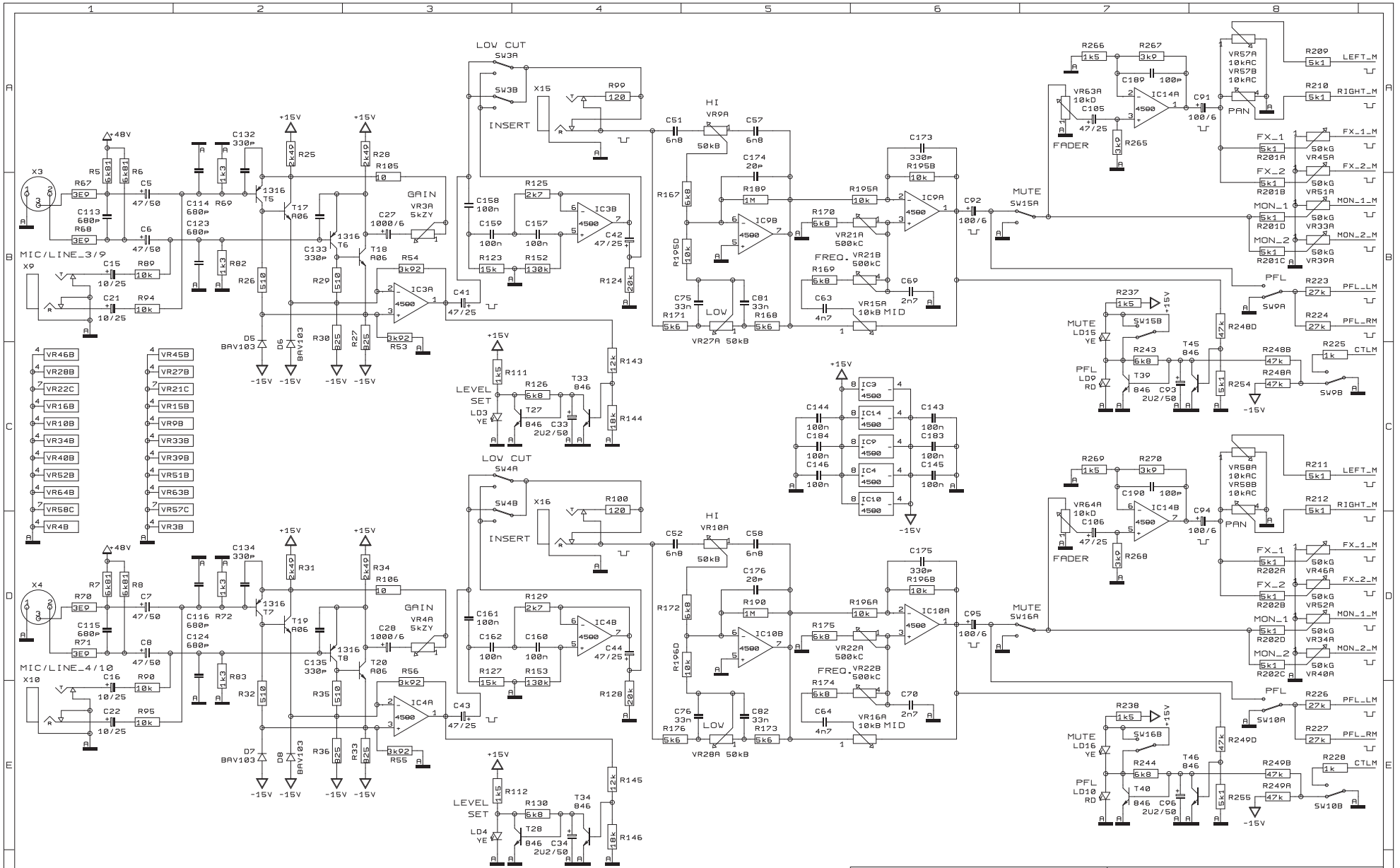
REVISIONS C (07/09/04)

DRAWN SA CHECKED DATE 11.11. 9 14:03

BEHRINGER

PROJECT P0567-02
EUROPOWER
MONO CHANNEL 1/7-2/8

SHEET 1 OF 3 SHEETS TOTAL



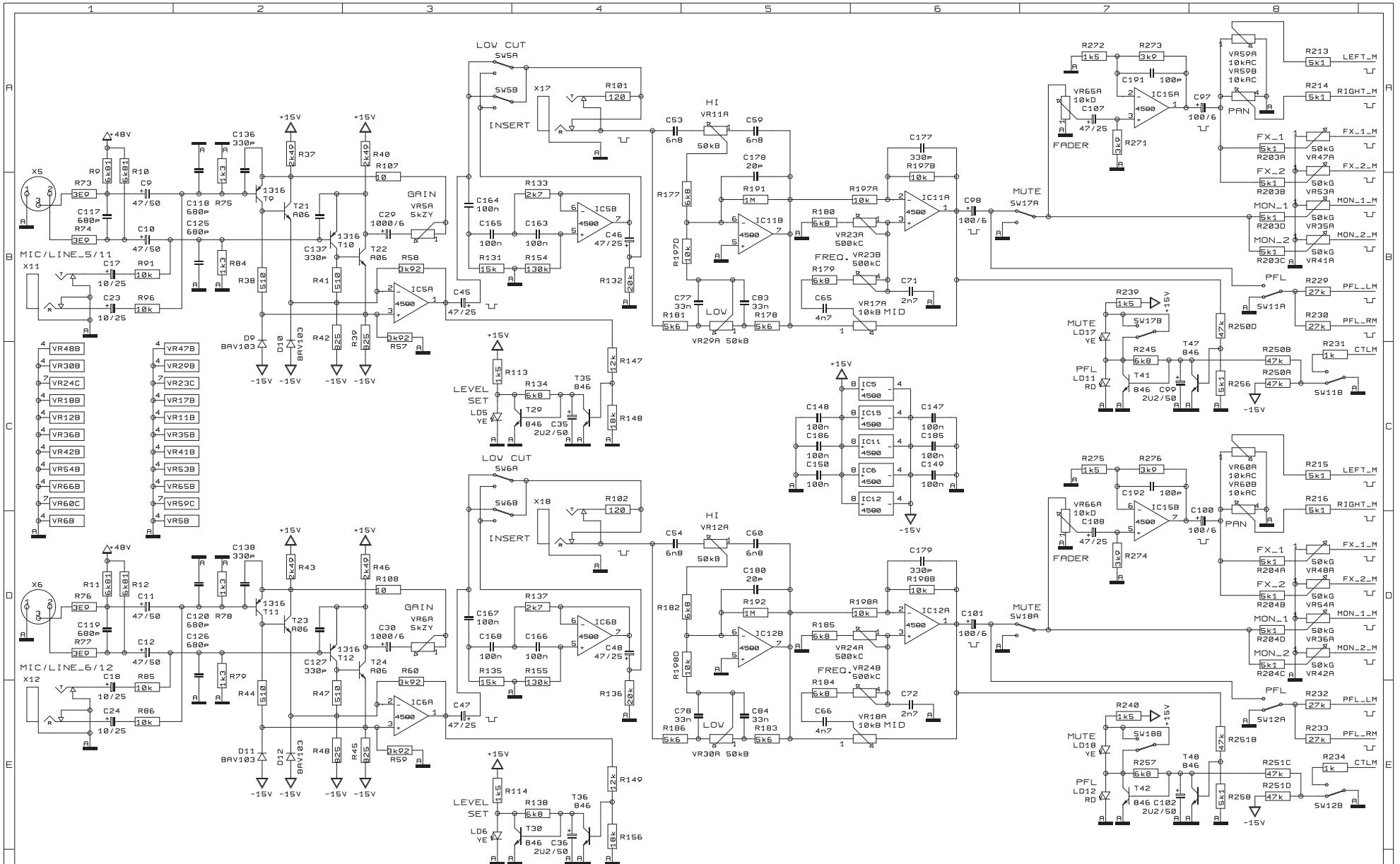
REVISIONS		
C		

DRAWN	CHECKED	DATE
SA		11.11. 9
		14:03

BEHRINGER

PROJECT
P0567-02
EUROPOWER
MONO CHANNEL 3/9-4/10
SHEET 2 OF 3 SHEETS TOTAL

THIS DOCUMENT CONTAINS PROPRIETARY INFORMATION WHICH IS THE PROPERTY OF BEHRINGER. THAT MAY NOT BE DISCLOSED, REPRODUCED OR USED WITHOUT EXPRESS WRITTEN CONSENT FROM BEHRINGER



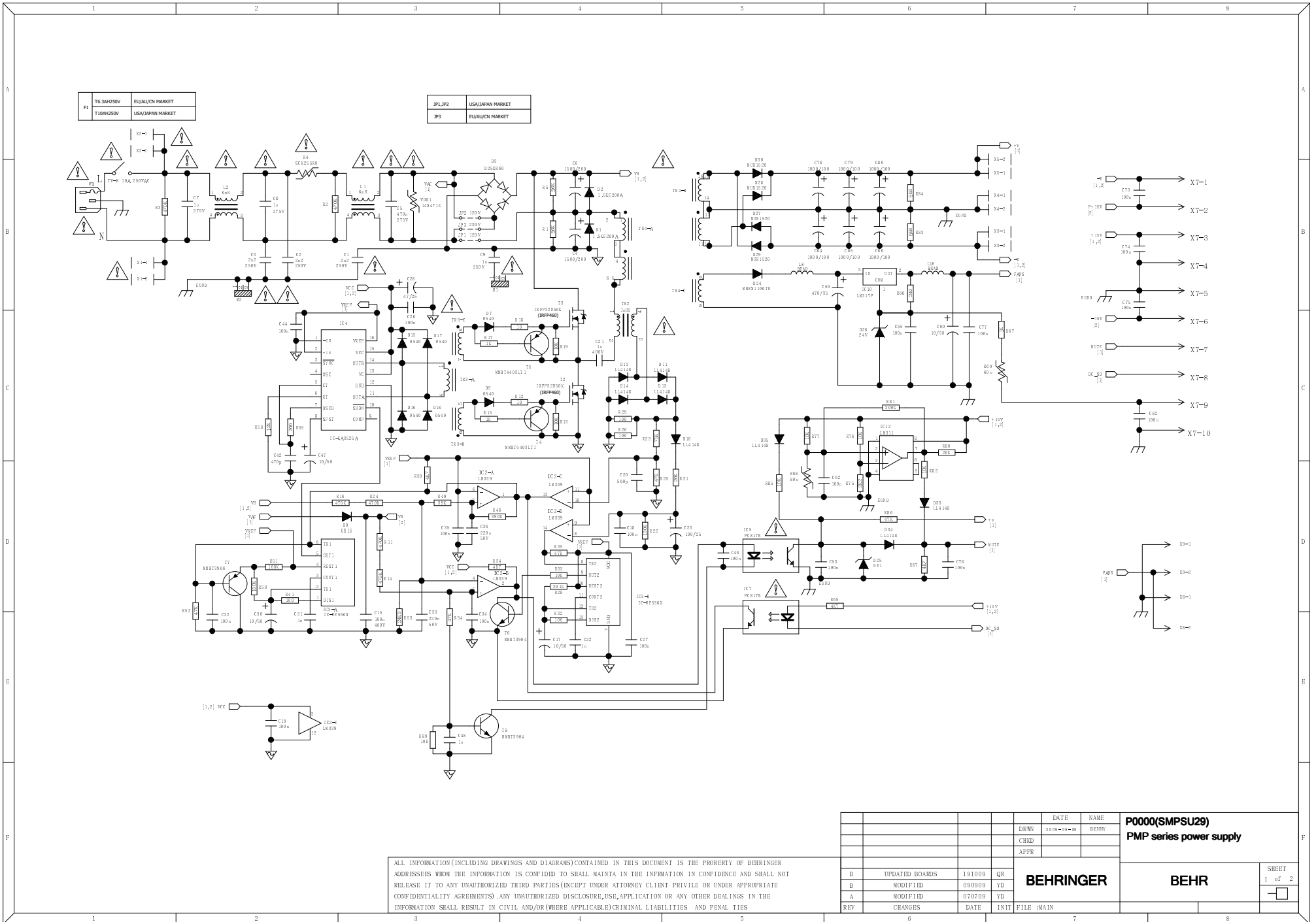
REVISIONS	C		
-----------	---	--	--

DRAWN	SA	CHECKED	DATE 11.11. 9
			14:03

BEHRINGER

PROJECT
P0567-02
EUROPOWER
MONO CHANNEL 5/11-6/12
SHEET 3 OF 3 SHEETS TOTAL

THIS DOCUMENT CONTAINS PROPRIETARY INFORMATION WHICH IS THE PROPERTY OF BEHRINGER. THAT MAY NOT BE DISCLOSED, REPRODUCED OR USED WITHOUT EXPRESS WRITTEN CONSENT FROM BEHRINGER



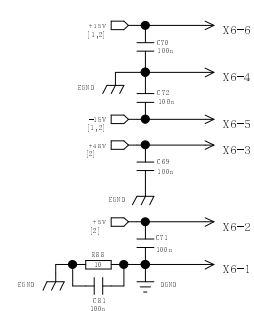
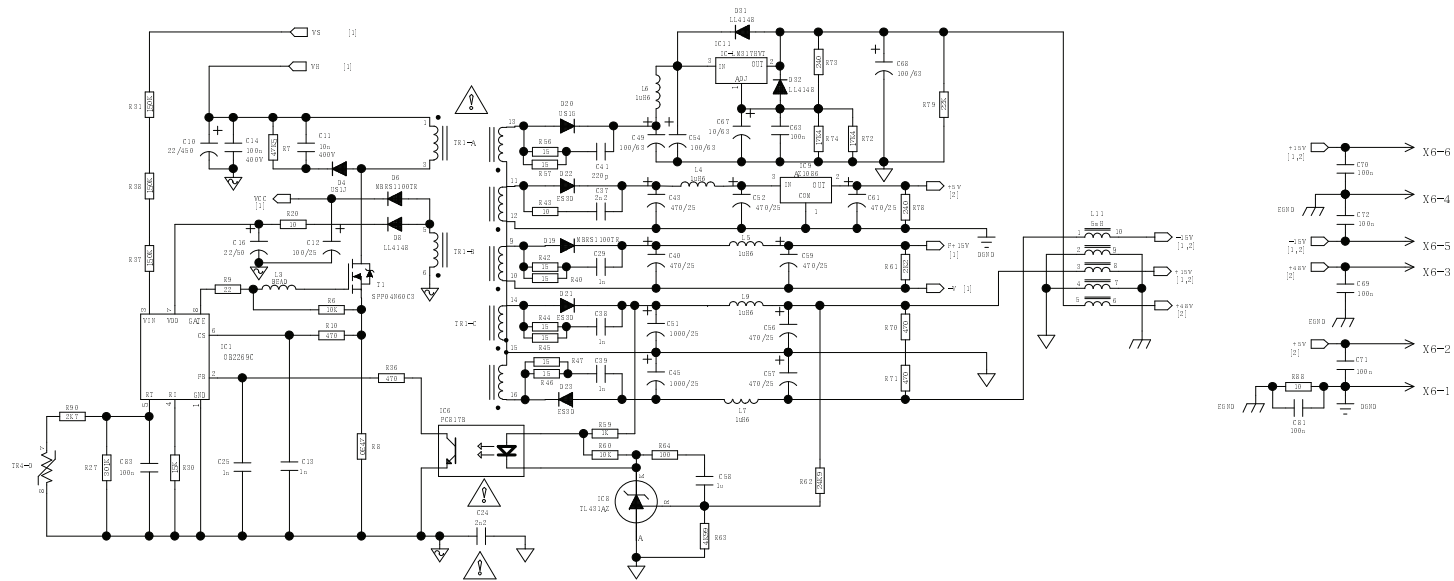
F1	T6:3AHS50V	EU/JAPAN MARKET
	T10AH250V	USA/JAPAN MARKET

JP1,JP2	USA/JAPAN MARKET
JP3	EU/JAPAN MARKET

ALL INFORMATION (INCLUDING DRAWINGS AND DIAGRAMS) CONTAINED IN THIS DOCUMENT IS THE PROPERTY OF BEHRINGER ADDRESSEES WHOM THE INFORMATION IS CONFIDED TO SHALL MAINTAIN THE INFORMATION IN CONFIDENCE AND SHALL NOT RELEASE IT TO ANY UNAUTHORIZED THIRD PARTIES (EXCEPT UNDER ATTORNEY CLIENT PRIVILEGE OR UNDER APPROPRIATE CONFIDENTIALITY AGREEMENTS). ANY UNAUTHORIZED DISCLOSURE, USE, APPLICATION OR ANY OTHER DEALINGS IN THE INFORMATION SHALL RESULT IN CIVIL AND/OR (WHERE APPLICABLE) CRIMINAL LIABILITIES AND PENAL TIES

				DATE	NAME	P0000(SMPSU29) PMP series power supply
			DRWN	2009-09-20	GERH9	
			CHKD			
				APPR		
B	UPDATED BOARDS	191009	QR	BEHRINGER		BEHR
B	MODIFIED	090909	YD			
A	MODIFIED	070709	YD			
REV	CHANGES	DATE	INIT	FILE :MAIN		

SHEET
1 of 2



- SC1
- SC2
- SC3
- SC4
- SC5
- SC6
- SC7
- SC8
- SC9
- SC10
- SC11
- SC12
- SC13
- SC14
- SC15
- SC16
- SC17
- SC18
- SC19
- SC20
- SC21
- SC22
- SC23
- SC24
- SC25
- SC26
- SC27
- SC28
- SC29
- SC30
- SC31
- SC32
- SC33
- SC34
- SC35
- SC36
- SC37
- SC38
- SC39
- SC40
- SC41
- SC42
- SC43
- SC44
- SC45
- SC46
- SC47
- SC48
- SC49
- SC50
- SC51
- SC52
- SC53
- SC54
- SC55
- SC56
- SC57
- SC58
- SC59
- SC60
- SC61
- SC62
- SC63
- SC64
- SC65
- SC66
- SC67
- SC68
- SC69
- SC70
- SC71
- SC72
- SC73
- SC74
- SC75
- SC76
- SC77
- SC78
- SC79
- SC80
- SC81
- SC82
- SC83
- SC84
- SC85
- SC86
- SC87
- SC88
- SC89
- SC90
- SC91
- SC92
- SC93
- SC94
- SC95
- SC96
- SC97
- SC98
- SC99
- SC100

ALL INFORMATION (INCLUDING DRAWINGS AND DIAGRAMS) CONTAINED IN THIS DOCUMENT IS THE PROPERTY OF BEHRINGER ADDRESSEES WHOM THE INFORMATION IS CONFIDED TO SHALL MAINTAIN THE INFORMATION IN CONFIDENCE AND SHALL NOT RELEASE IT TO ANY UNAUTHORIZED THIRD PARTIES (EXCEPT UNDER ATTORNEY CLIENT PRIVILEGE OR UNDER APPROPRIATE CONFIDENTIALITY AGREEMENTS). ANY UNAUTHORIZED DISCLOSURE, USE, APPLICATION OR ANY OTHER DEALINGS IN THE INFORMATION SHALL RESULT IN CIVIL AND/OR (WHERE APPLICABLE) CRIMINAL LIABILITIES AND PENAL TIES

		DATE	NAME	P0000(SMPSU29) PMP series power supply
		2009-10-20	BEHRER	
B	UPDATED BOARDS	191009	QR	BEHRINGER
B	MODIFIED	090909	YD	
A	MODIFIED	070709	YD	
REV	CHANGES	DATE	INIT FILE :AUX	BEHR

SHEET
2 of 2