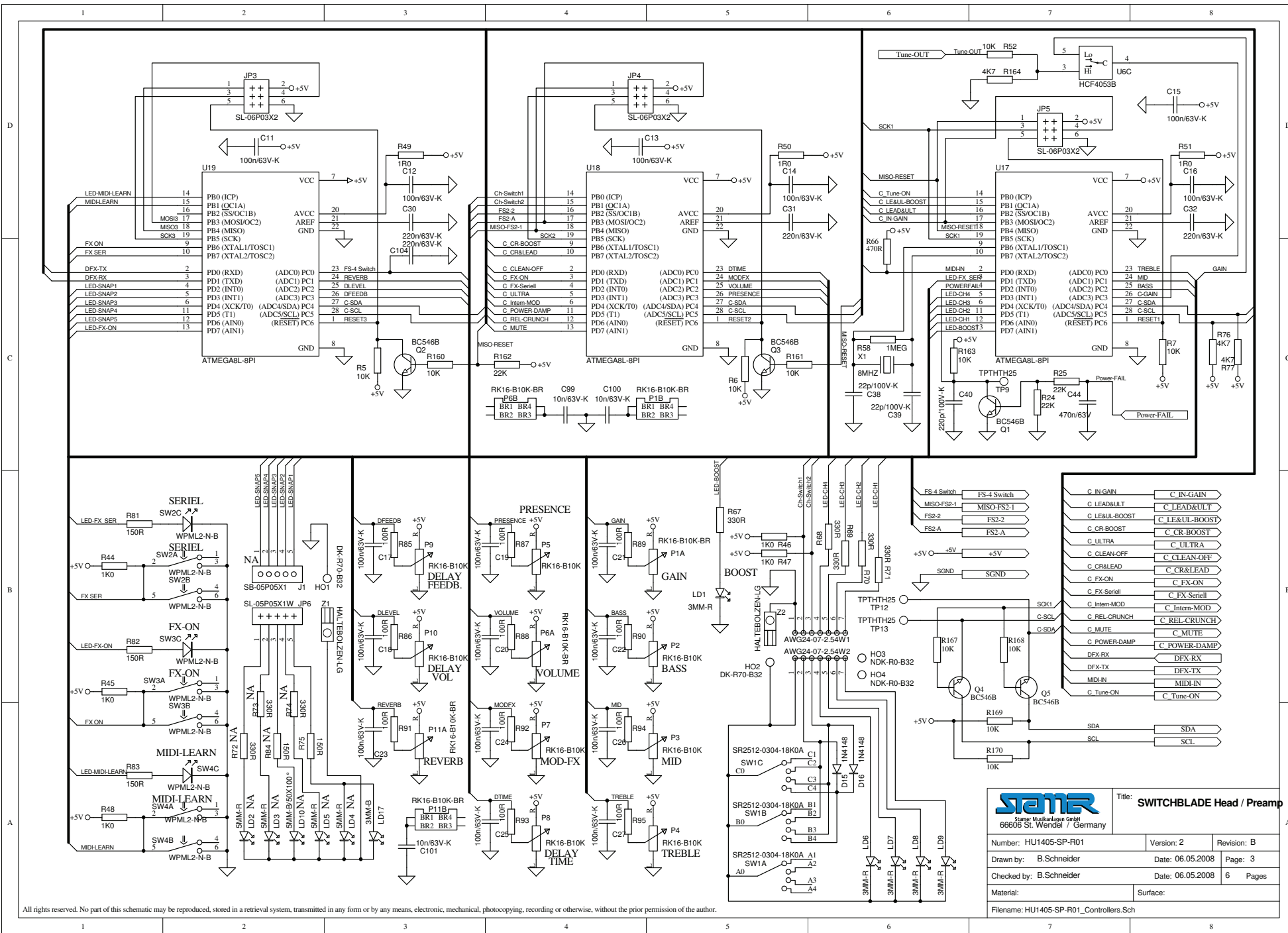



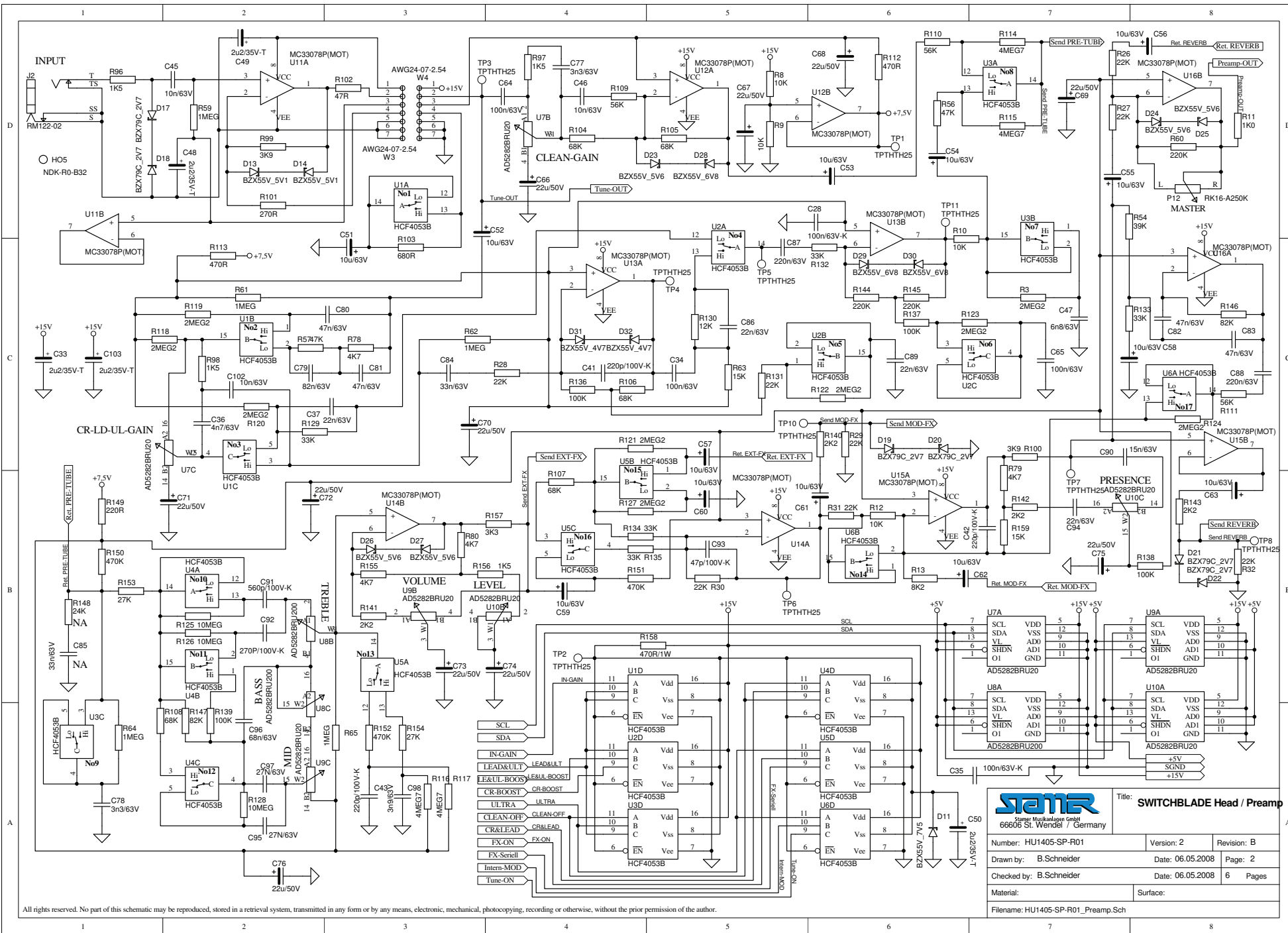
All rights reserved. No part of this schematic may be reproduced, stored in a retrieval system, transmitted in any form or by any means, electronic, mechanical, photocopying, recording or otherwise, without the prior permission of the author.

 Stamer Musikanlagen GmbH 66606 St. Wendel / Germany		Title: SWITCHBLADE Head Preamp	
		Number: HU1405-SP-R01	Version: 2
Drawn by: B.Schneider	Date: 06.05.2008	Page: 1	
Checked by: B.Schneider	Date: 06.05.2008	6 Pages	
Material:	Surface:		
Filename: HU1405-SP-R01_Connectors.Sch			



All rights reserved. No part of this schematic may be reproduced, stored in a retrieval system, transmitted in any form or by any means, electronic, mechanical, photocopying, recording or otherwise, without the prior permission of the author.

		Title: SWITCHBLADE Head / Preamp	
		Number: HU1405-SP-R01	Version: 2
Drawn by: B. Schneider	Date: 06.05.2008	Page: 3	Revision: B
Checked by: B. Schneider	Date: 06.05.2008	6	Pages
Material:	Surface:		
Filename: HU1405-SP-R01_Controllers.Sch			



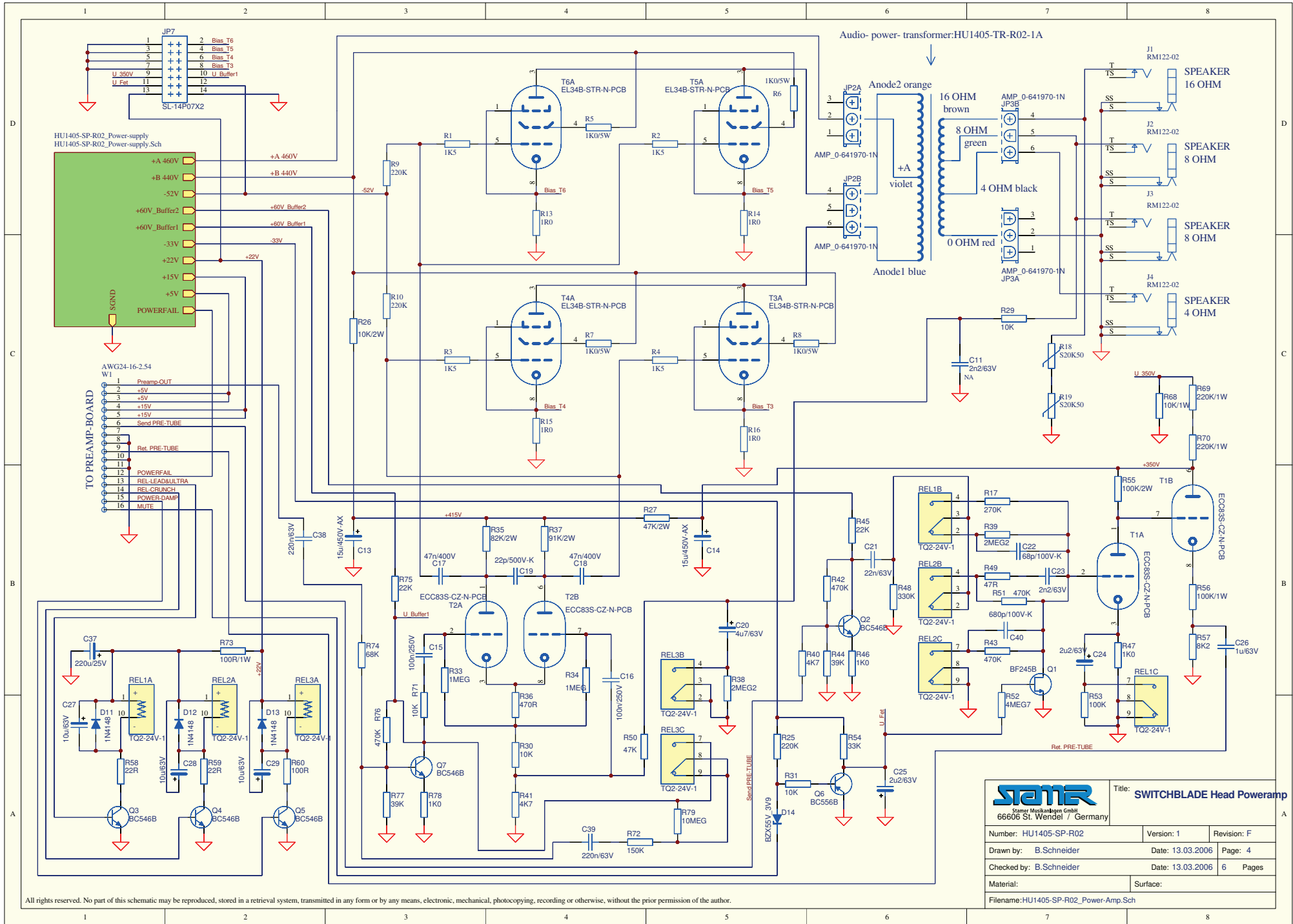
STAMER
 Stepper Motorkonstruktion GmbH
 66606 St. Wendel / Germany

Title: **SWITCHBLADE Head / Preamp**

Number: HU1405-SP-R01	Version: 2	Revision: B
Drawn by: B.Schneider	Date: 06.05.2008	Page: 2
Checked by: B.Schneider	Date: 06.05.2008	6 Pages
Material:	Surface:	

Filename: HU1405-SP-R01_Preamp.Sch

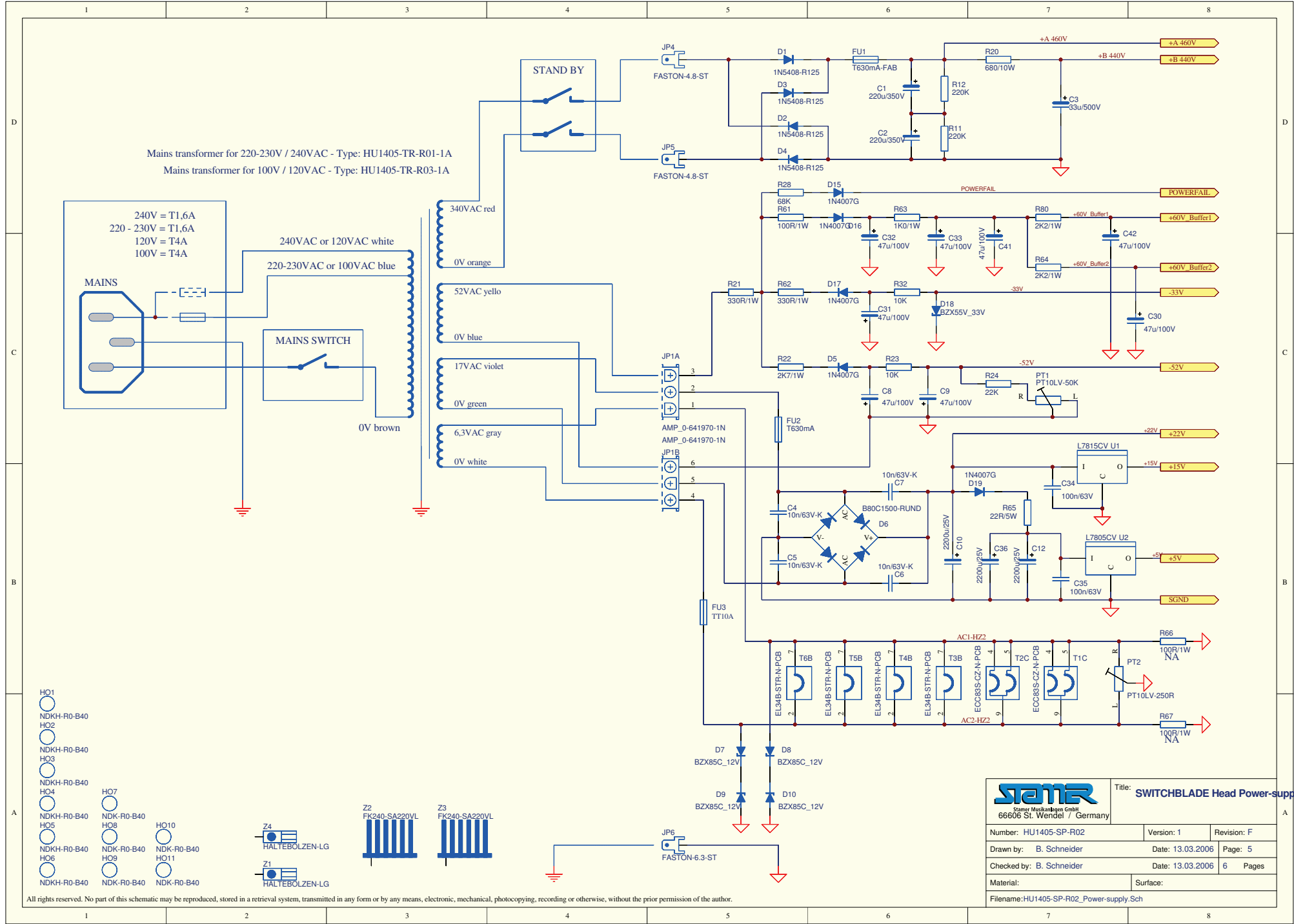
All rights reserved. No part of this schematic may be reproduced, stored in a retrieval system, transmitted in any form or by any means, electronic, mechanical, photocopying, recording or otherwise, without the prior permission of the author.




STAMA Title: SWITCHBLADE Head Poweramp
 Stama Musikzubehöer GmbH
 66606 St. Wendel / Germany

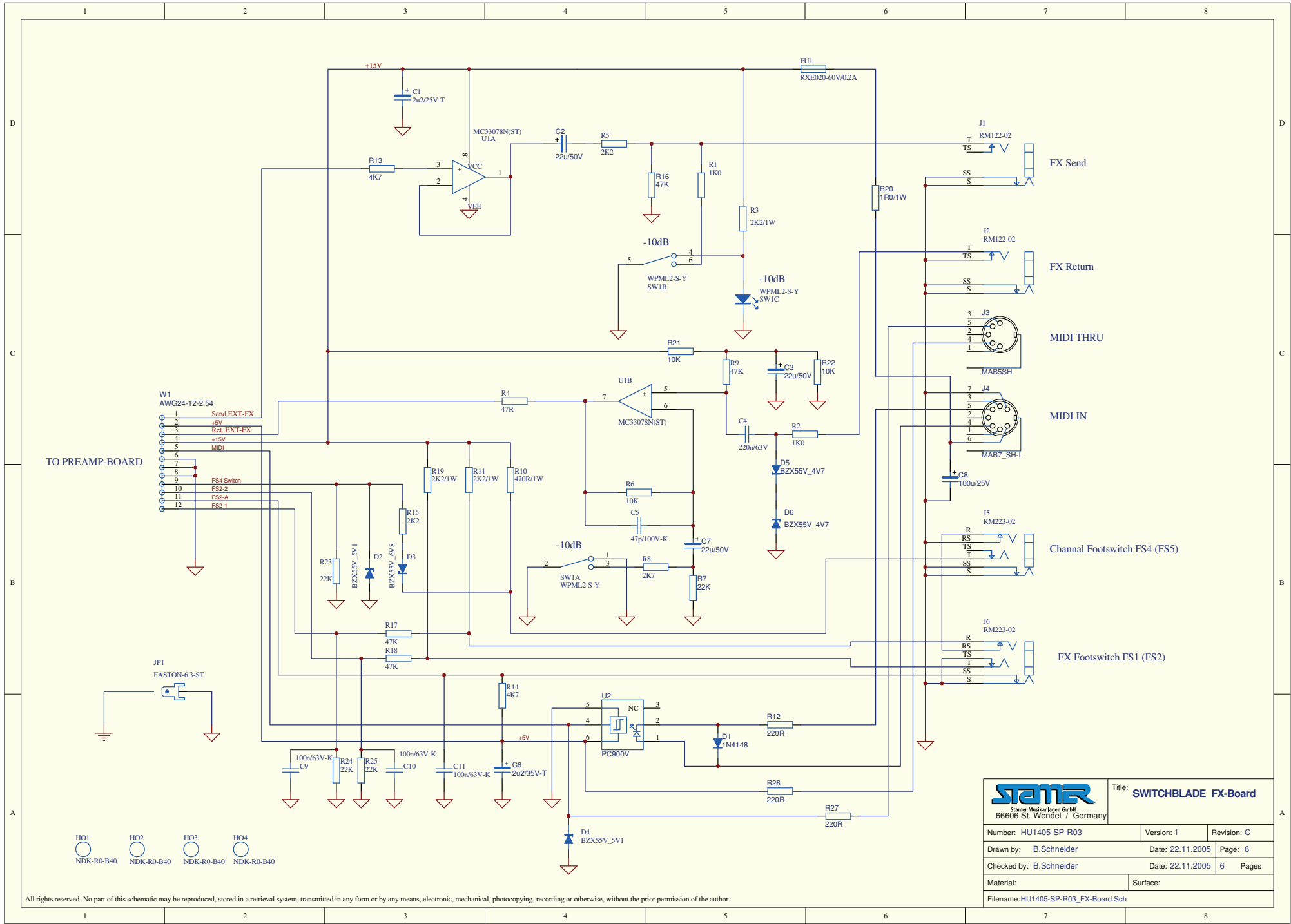
Number: HU1405-SP-R02	Version: 1	Revision: F
Drawn by: B.Schneider	Date: 13.03.2006	Page: 4
Checked by: B.Schneider	Date: 13.03.2006	6 Pages
Material:	Surface:	
Filename:HU1405-SP-R02_Power-Amp.Sch		


All rights reserved. No part of this schematic may be reproduced, stored in a retrieval system, transmitted in any form or by any means, electronic, mechanical, photocopying, recording or otherwise, without the prior permission of the author.



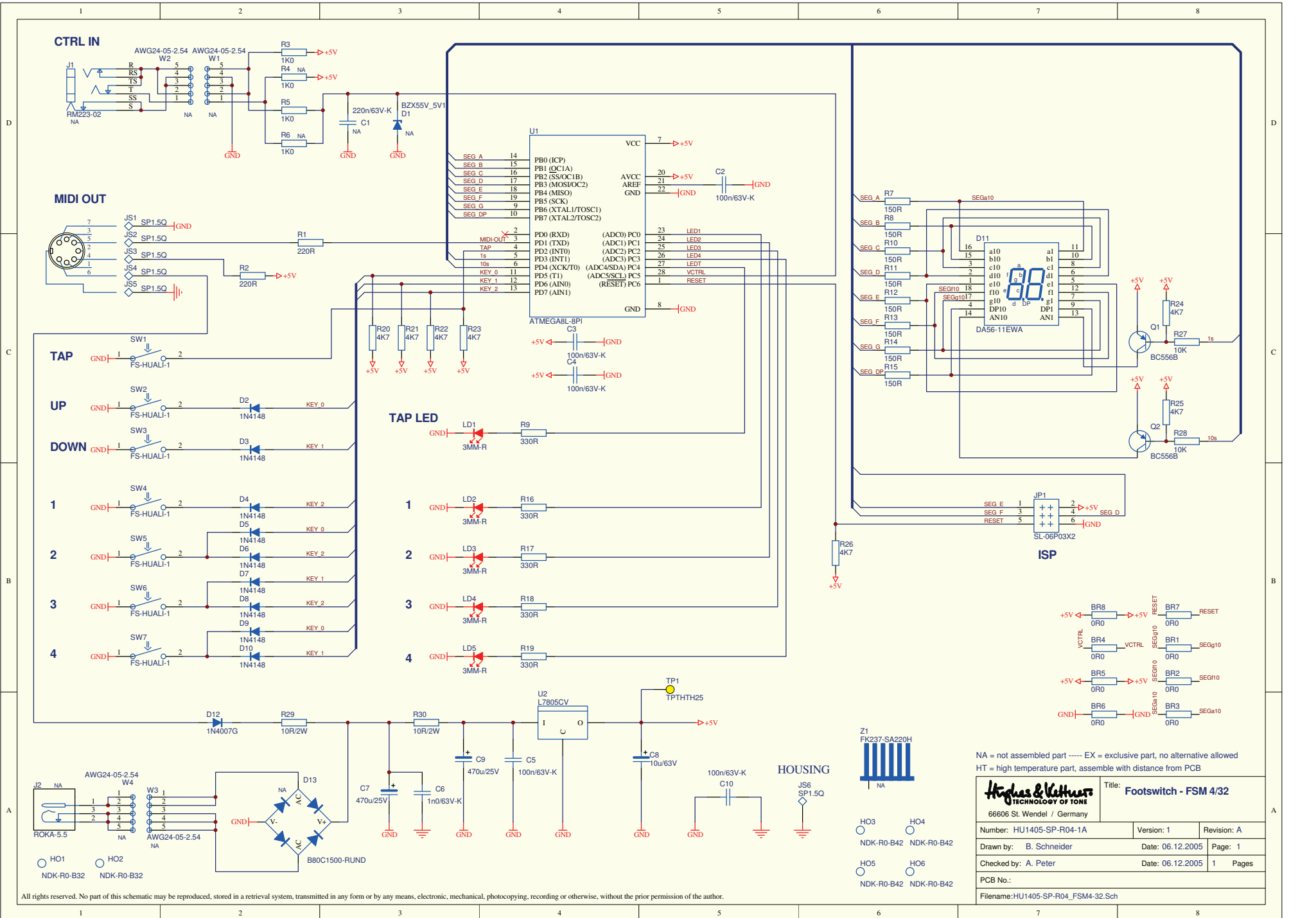
All rights reserved. No part of this schematic may be reproduced, stored in a retrieval system, transmitted in any form or by any means, electronic, mechanical, photocopying, recording or otherwise, without the prior permission of the author.

		Title: SWITCHBLADE Head Power-supply	
		Stama Musikanlagen GmbH 66606 St. Wendel / Germany	
Number: HU1405-SP-R02	Version: 1	Revision: F	
Drawn by: B. Schneider	Date: 13.03.2006	Page: 5	
Checked by: B. Schneider	Date: 13.03.2006	6 Pages	
Material:	Surface:		
Filename: HU1405-SP-R02_Power-supply.Sch			



		Title: SWITCHBLADE FX-Board	
Stamar Musikanlagen GmbH 66606 St. Wendel / Germany		Number: HU1405-SP-R03	Version: 1
Drawn by: B.Schneider	Date: 22.11.2005	Page: 6	Revision: C
Checked by: B.Schneider	Date: 22.11.2005	6	Pages
Material:	Surface:	Filename: HU1405-SP-R03_FX-Board.Sch	

All rights reserved. No part of this schematic may be reproduced, stored in a retrieval system, transmitted in any form or by any means, electronic, mechanical, photocopying, recording or otherwise, without the prior permission of the author.



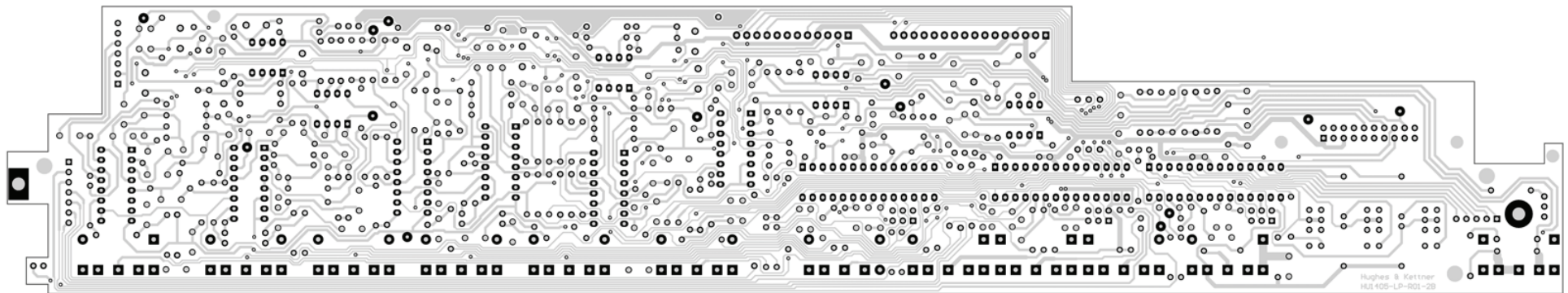
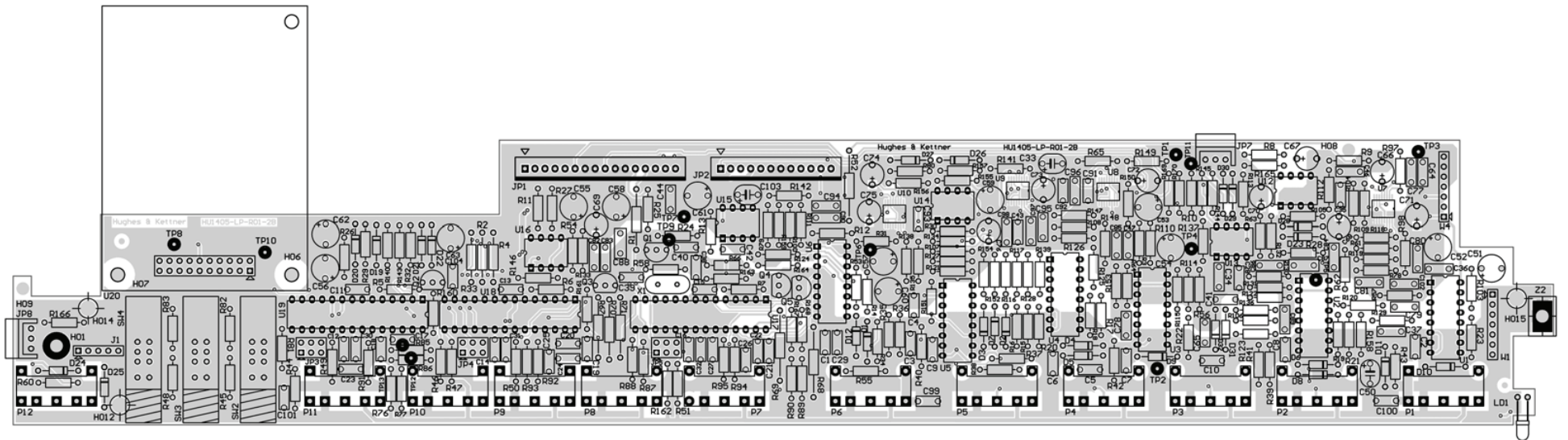
NA = not assembled part ----- EX = exclusive part, no alternative allowed
 HT = high temperature part, assemble with distance from PCB

Hydas & Kellers
 TECHNOLOGY OF TONI
 66606 St. Wendel / Germany


Title: **Footswitch - FSM 4/32**

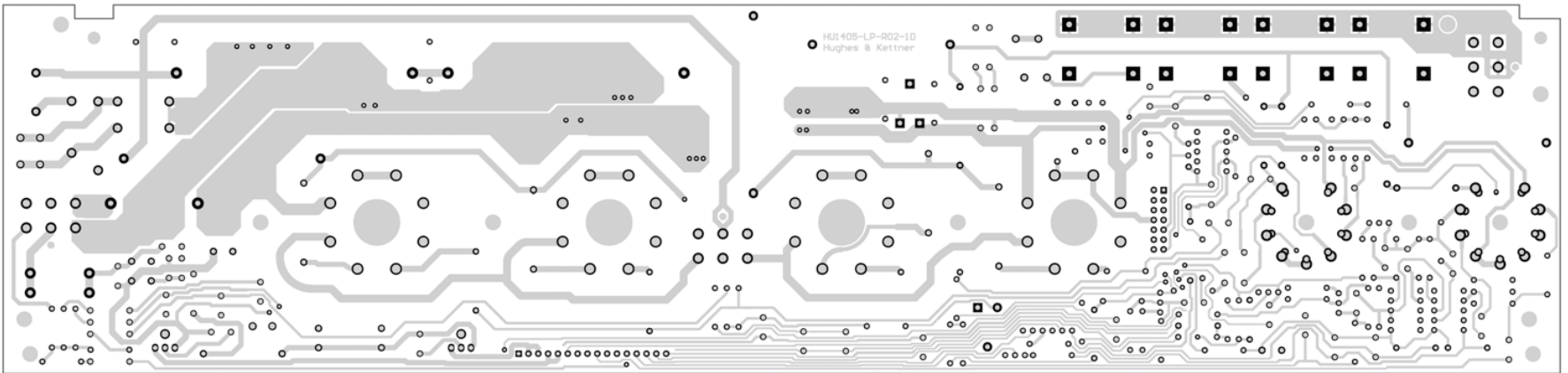
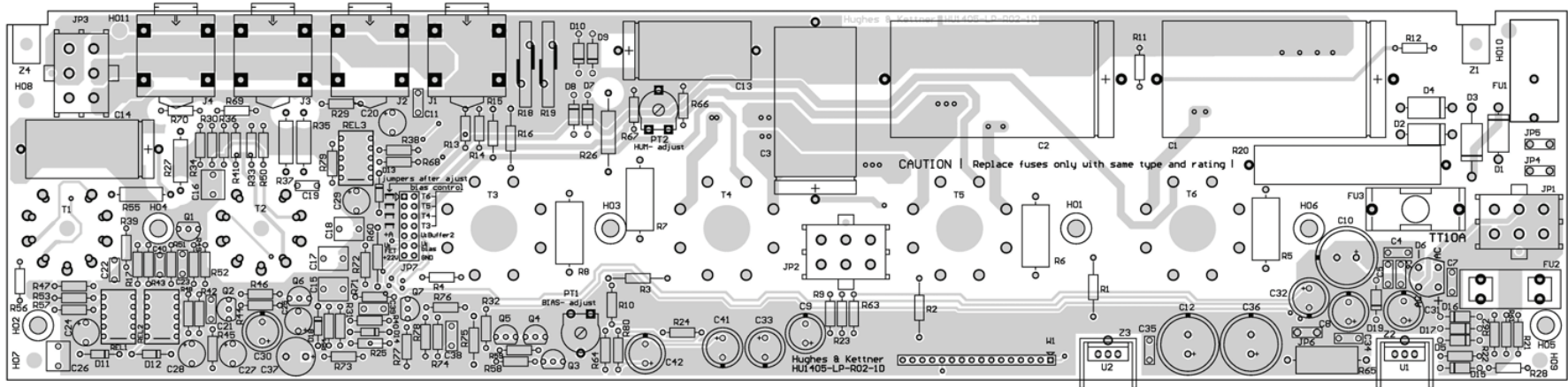
Number: HU1405-SP-R04-1A	Version: 1	Revision: A
Drawn by: B. Schneider	Date: 06.12.2005	Page: 1
Checked by: A. Peter	Date: 06.12.2005	1 Pages
PCB No.:		
Filename: HU1405-SP-R04_FSM4-32.Sch		

All rights reserved. No part of this schematic may be reproduced, stored in a retrieval system, transmitted in any form or by any means, electronic, mechanical, photocopying, recording or otherwise, without the prior permission of the author.




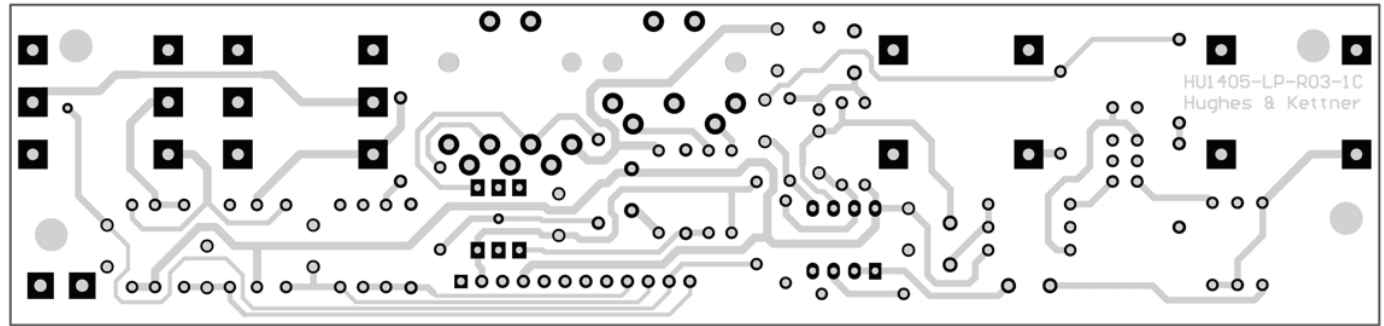
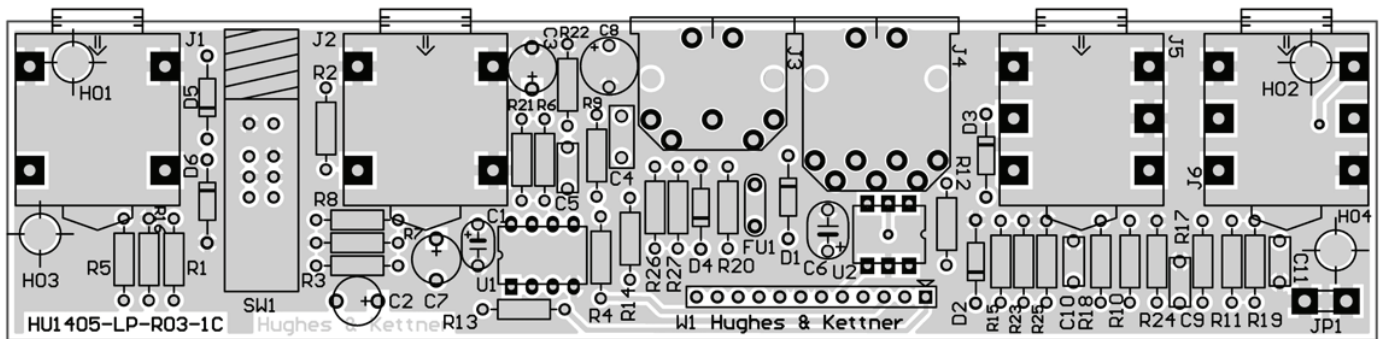
INDEX	CHANGES	RESP.

		TITLE: SWITCHBLADE HEAD HU1405 PREAMP	
		66606 St. Wendel / Germany	
DRAWING-NO:	HU1405-LP-R01-2B	VERSION:	1
DRAWN BY:	ubaris	DATE:	11.07.2006
CHECKED BY:		DATE:	
MATERIAL:		FINISH:	OBERFLACHE
FILENAME:	HU1405-LP-R01-2B_PREAMP_HEAD		
REVISION:	A	PAGE:	1
		3 PAGES	




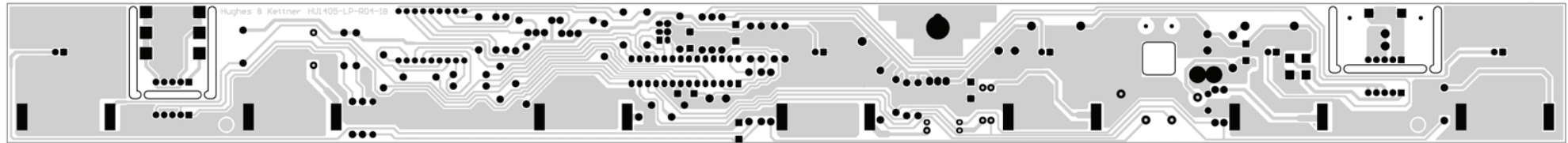
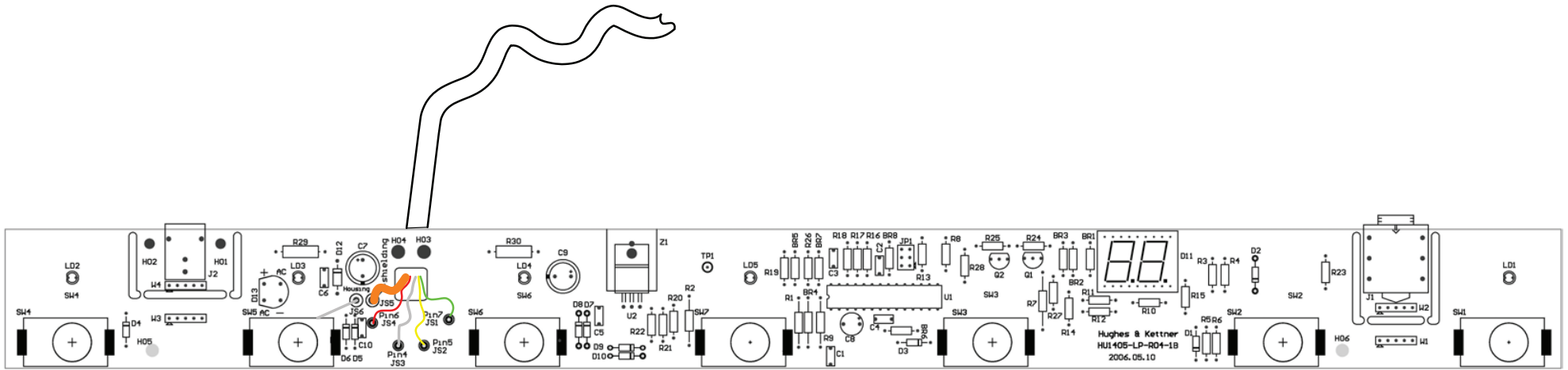
INDEX	CHANGES	RESP.

		TITLE: SWITCHBLADE HEAD HU1405 POWERAMP	
DRAWING-NO.: HU1405-LP-R02-10		VERSION: 1	REVISION: A
DRAWN BY: ubaris		DATE: 17.07.2006	PAGE: 1
CHECKED BY:		DATE:	2 PAGES
MATERIAL:		FINISH: OBERFLACHE	
FILENAME: HU1405-LP-R02-10_POWERAMP_HEAD			




INDEX	CHANGES	RESP.

		TITLE: SWITCHBLADE HEAD HU1405 FX-BOARD	
		<small>66606 St. Wendel / Germany</small>	
DRAWING-NO: HU1405-R03-1C		VERSION: 1	REVISION: A
DRAWN BY: ubaris		DATE: 17.07.2006	PAGE: 1
CHECKED BY:		DATE:	1 PAGES
MATERIAL:		FINISH: OBERFLACHE	
FILENAME: HU1405-LP-R03-1C_FXBOARD			



INDEX	CHANGES	RESP.

		TITLE: Switchblade HU1405 FSM432 Footswitch	
<small>66606 St. Wendel / Germany</small>			
DRAWING-NO:	HU1405-LP-R04-1B	VERSION:	1
REVISION:	A	DATE:	20.07.2006
DRAWN BY:	ubaris	PAGE:	1
CHECKED BY:		DATE:	
MATERIAL:		FINISH:	
Fehler: Keine Referenz		OBERFLACHE	
FILENAME:	HU1405-LP-R04-1B_FSM432_Switchboard		
		1 PAGES	