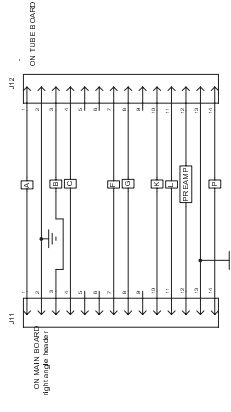


TEST POINT CONDITIONS:  
 1. LINE WAVE  
 2. LINE OUTPUT CONTROL @ 10% PREPOST OUT

ALL CONTROLS @ 5' EXCEPT COMPRESSION @ 17% AND TUBE VOLTAGE @ 10% ALL SWITCHES OUT.

FOR ASSY PIN 07-793-01



NOTE: COMPONENTS WITHIN DASHES ARE ON TUBE BREAK-OFF PCB.

CAUTION:  
 THIS SCHEMATIC IS PROVIDED FOR USE BY QUALIFIED PERSONNEL. IT IS NOT TO BE USED FOR REPAIR OR SERVICE PERSONNEL DO NOT PERFORM ANY SERVICES BEYOND THAT EXPLAINED IN THE OPERATING INSTRUCTIONS.

NOTES:  
 1. THIS UNIT CONTAINS HAZARDOUS VOLTAGE. DISCONNECT POWER BEFORE TOUCHING INTERNAL PARTS.  
 2. UNLESS NOTED, RESISTOR VALUES IN OHMS, 1/4W-5% TOL.  
 3. VOLTAGES ARE MEASURED WITH 1 MEGOHM OSCILLOSCOPE AND 10 MEGOHM DIGITAL VOLTMETER.

REV	Date	DESCRIPTION	Checked	By	Approved	Date
0	09/20/05	CONTRACT ISSUE				
A	04/26/05	INITIAL BASE				

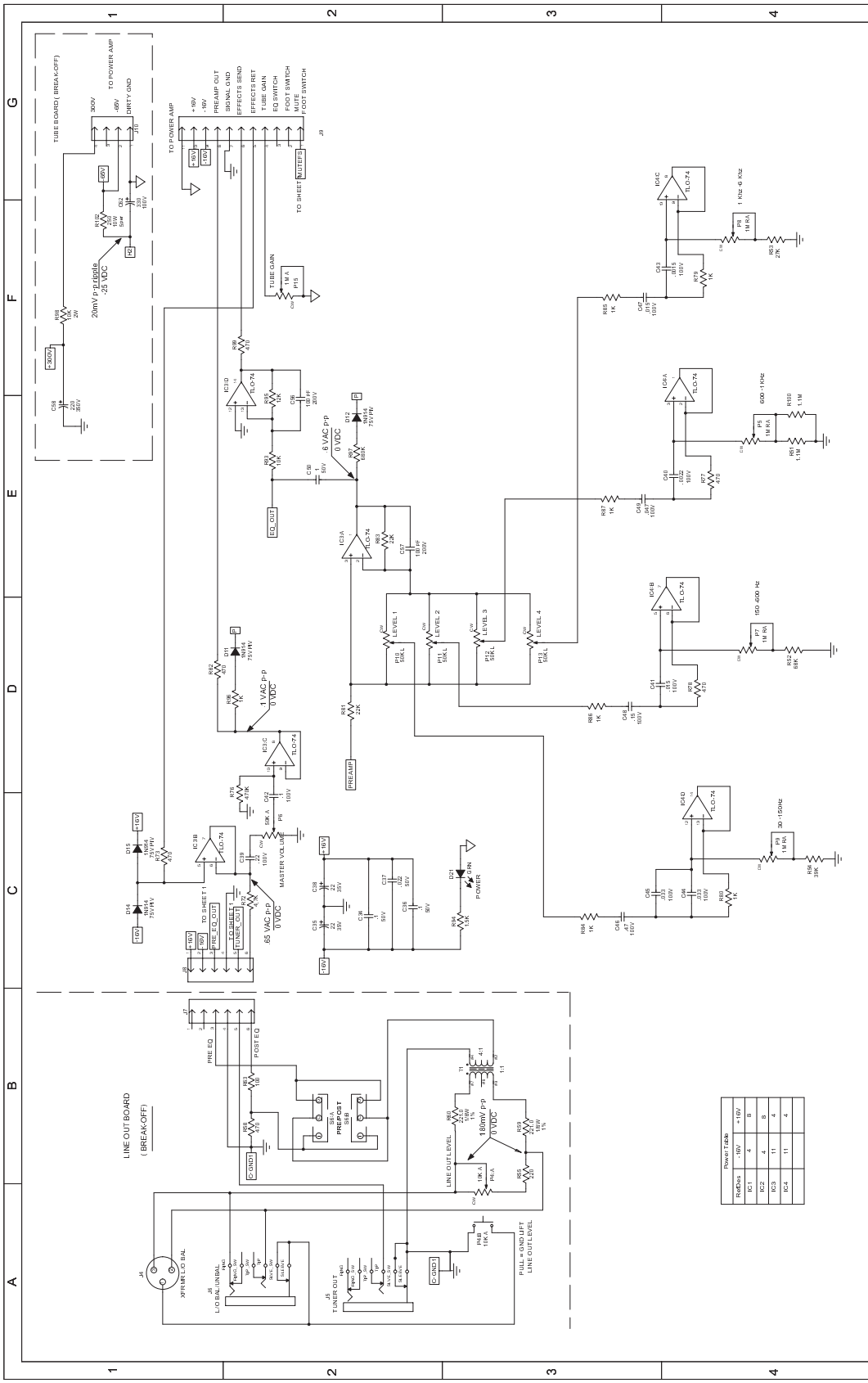
SIGNATURES:		Date:	Part Used On:
Drawn:	REM	10/02/05	1801 Compression B. Lutz, MD 0746
Released:			
Part Date:	F4 Sep 30, 2002		
Part Time:	06-4527		
Tolerances:			

Drawing Title:	Sheet	of	Total
SCHMATIC - PREAMP	1	2	2

REV	Date	DESCRIPTION	Checked	By	Approved	Date
0	09/20/05	CONTRACT ISSUE				
A	04/26/05	INITIAL BASE				



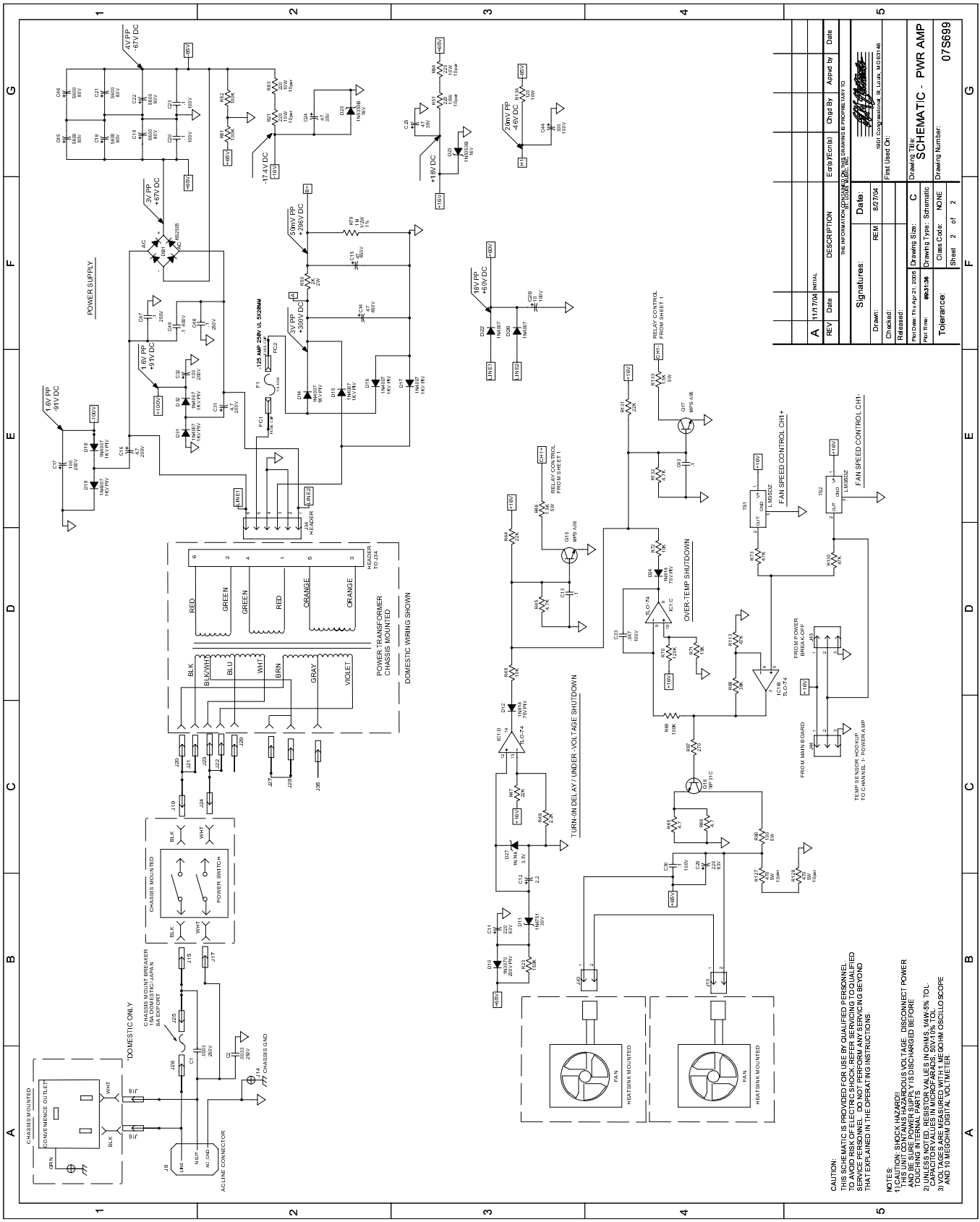
0	06/20/03	CONTRAC/LESSE	REM		
A	07/05/05	INITIAL ISSUE			
REV	Date	DESCRIPTION	Err'd/FC'd	Chgd By	Date
THE INFORMATION CONTAINED HEREIN IS UNCLASSIFIED EXCEPT WHERE SHOWN OTHERWISE AND IS PROPRIETARY TO					
Signatures:		Date:	First Used On:		
Drawn:		06/20/03	9991 Compartment B, LOMA MCD3146		
Checked:					
Released:					
Part Name:		Ft Sep 20, 2006	Drawing Title: SCHEMATIC - PREAMP		
Part No:		664627	Drawing Type: Schematic		
Tolerance:			Class Code: NONE		
			Sheet 2 of 2		

CAUTION: THIS SCHEMATIC IS PROVIDED FOR USE BY QUALIFIED PERSONNEL. IT IS NOT TO BE USED FOR REPAIR OR MAINTENANCE WORK. SERVICING TO QUALIFIED PERSONNEL ONLY. SERVICING TO UNQUALIFIED PERSONNEL IS PROHIBITED. SERVICING TO UNQUALIFIED PERSONNEL MAY BE DANGEROUS TO LIFE AND LIMB. SERVICING TO UNQUALIFIED PERSONNEL MAY BE DANGEROUS TO LIFE AND LIMB. SERVICING TO UNQUALIFIED PERSONNEL MAY BE DANGEROUS TO LIFE AND LIMB. SERVICING TO UNQUALIFIED PERSONNEL MAY BE DANGEROUS TO LIFE AND LIMB.

NOTES:  
 1) THIS UNIT CONTAINS HAZARDOUS VOLTAGE. DISCONNECT POWER AND BE SURE POWER SUPPLY IS DISCHARGED BEFORE SERVICING.  
 2) UNLESS NOTED, RESISTOR VALUES IN OHMS, 1%W-5% TOL.  
 3) CAPACITOR VALUES IN MICROFARADS, 50V-100V TOL.  
 4) UNLESS NOTED, ALL COMPONENTS ARE TO BE OBTAINED FROM THE MANUFACTURER'S SPECIFICATIONS.  
 5) AND 10 MEGOHM DIGITAL VOLTMETER.

Part No	Value	Notes
IC10A	TL074	
IC10B	TL074	
IC10C	TL074	
IC10D	TL074	





REV	Date	DESCRIPTION	Errob/Ecnls	Chgd By	Date
A	1/17/04	INITIAL			

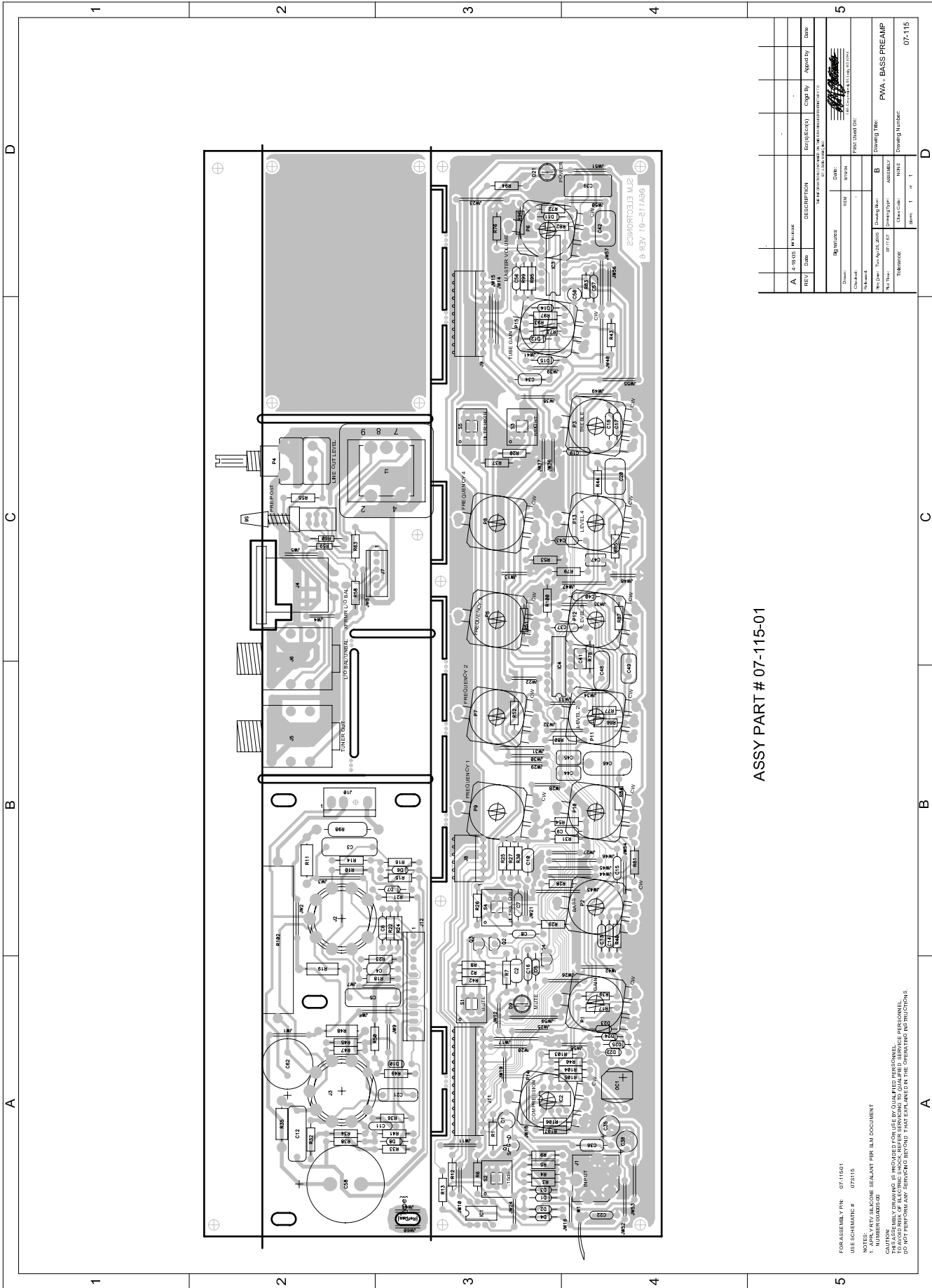
  

Drawn:	REM	Date:	8/27/04	First Used On:	999 Computations B. LUM. M03146
Checked:					
Released:					
Part Name:	063139	Part No.:	Thu-Apr-21-2005	Drawing Size:	C
Part Name:		Part No.:		Drawing Type:	Schematic
Tolerance:		Class Code:	NONE	Drawing Number:	
Sheet	2	of	2		

**CAUTION:** THIS SCHEMATIC IS PROVIDED FOR USE BY QUALIFIED PERSONNEL. TO AVOID THE RISK OF ELECTRICAL SHOCK, REFER TO THE QUALIFIED PERSONNEL BEFORE SERVICING TO QUALIFIED PERSONNEL. THE INFORMATION CONTAINED HEREIN IS UNCLASSIFIED AND IS NOT TO BE RELEASED TO THE PUBLIC WITHOUT THE EXPRESS WRITTEN PERMISSION OF THE BUREAU OF ELECTRONIC AND CYBERNETIC AFFAIRS.

**NOTES:**

- 1) THIS UNIT CONTAINS HAZARDOUS VOLTAGE. DISCONNECT POWER AND BE SURE POWER SUPPLY IS DISCHARGED BEFORE SERVICING.
- 2) UNLESS NOTED, RESISTOR VALUES IN OHMS, 1%W-5% TOL. CAPACITOR VALUES IN MICROFARADS, 50V-10% TOL.
- 3) ALL METERING IS DIGITAL. VOLTAGE MEASUREMENTS SHOULD BE TAKEN WITH AN OSCILLOSCOPE.



ASSY PART # 07-115-01

FOR ASSEMBLY P/N: 07-11041  
 USE SCHEMATIC # 075115

NOTES:  
 1. APPLY VERY SILICONE SEALANT PER SLM DOCUMENT  
 NUMBER 5000400

THIS ASSEMBLY DRAWING IS PROVIDED FOR USE BY QUALIFIED PERSONNEL.  
 IT IS NOT TO BE USED FOR REPAIR OR MAINTENANCE PURPOSES.  
 DO NOT PERFORM ANY SERVICE BEFORE THAT EXPLAINED IN THE OPERATING INSTRUCTIONS.

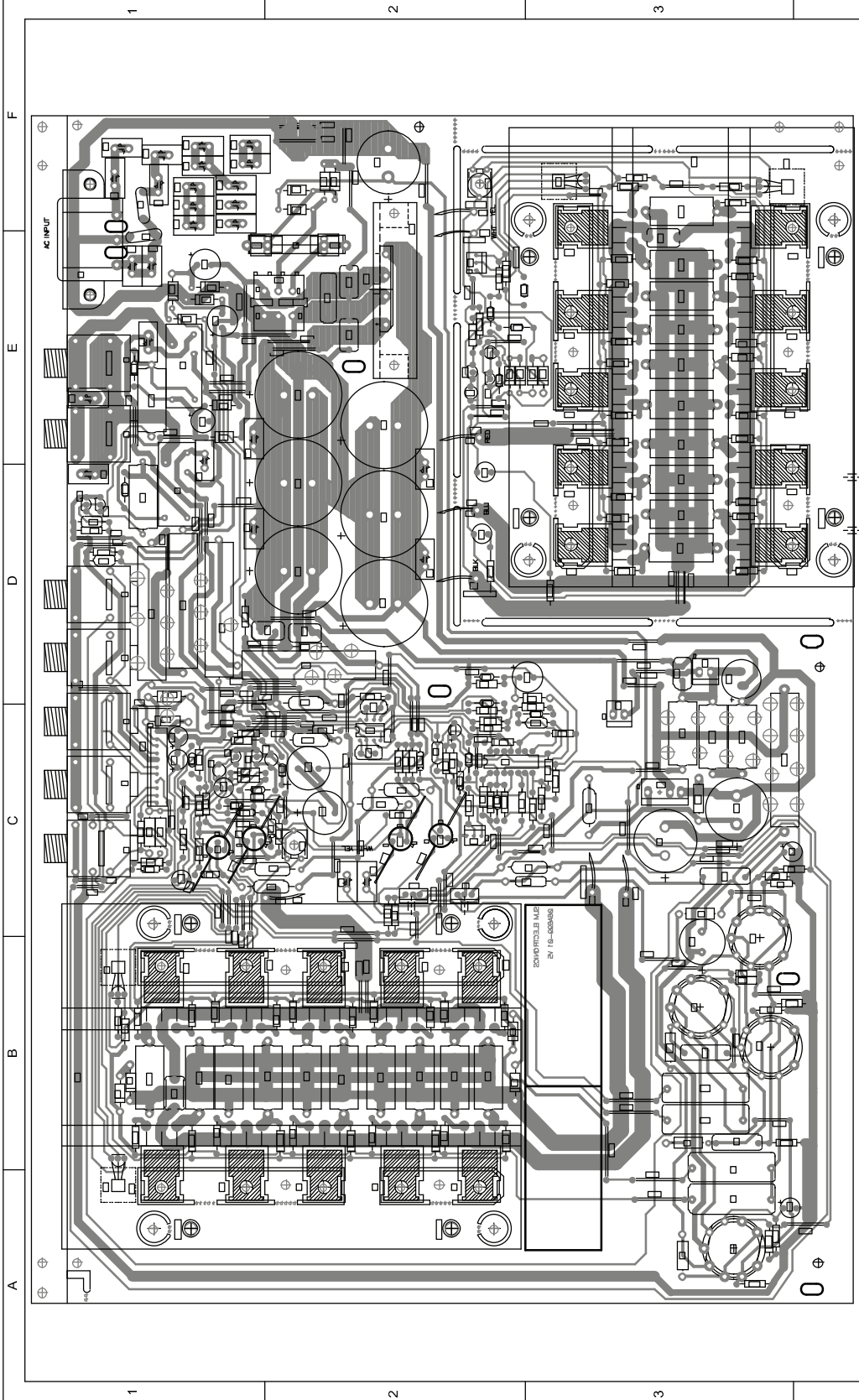
REV	DATE	DESCRIPTION	ENG/DESIGN	CHKD BY	APP'D BY	DATE
A	4-18-05	INITIALS				

DESIGNER	DATE	DESIGNED BY	DATE
CHKD BY	DATE	APP'D BY	DATE
ASSEMBLY	DATE	TESTING	DATE
OPERATION	DATE	REWORK	DATE

Part Name:	07-115-01	Drawing Title:	PWA - BASS PREAMP
Part No.:	07-115-01	Assembly	
Revision:	01	Quantity:	
Reference:	Sheet 1 of 1	Drawing Number:	07-115



FOR ASSEMBLY P/N: 07-6891  
 USE SCHEMATIC # 07689

NOTES:  
 1. REFER TO SERVICE MANUAL FOR ASSEMBLY INSTRUCTIONS

CAUTION:  
 THE ASSEMBLY DRAWING IS PROVIDED FOR USE BY QUALIFIED PERSONNEL. THE MANUFACTURER ASSUMES NO LIABILITY FOR DAMAGE TO PROPERTY OR PERSONS. DO NOT PERFORM ANY SERVICING BEYOND THAT EXPLOAINED IN THE OPENING INSTRUCTIONS.

REV	DATE	DESCRIPTION	DESIGNED BY	APP'D BY	DATE
B	03/18/05	ADDED SHEET 2	RM/AS	MF/B	
A	03/1/05	INITIAL ISSUE			

REVISIONS

SYNOPSIS	DATE	BY	CHKD
REVISION	10/02/04		

THINKPAD

REV	DATE	DESCRIPTION
C	11 May 13, 2005	Drawing Size
	1312.11	Drawing Type
		ASSEMBLY
		NOTE

Sheet 1 of 2

07-689

© 2005 International Business Machines Corporation. All rights reserved.

IBM, THINKPAD, and the IBM logo are trademarks of International Business Machines Corporation in the United States and other countries.

