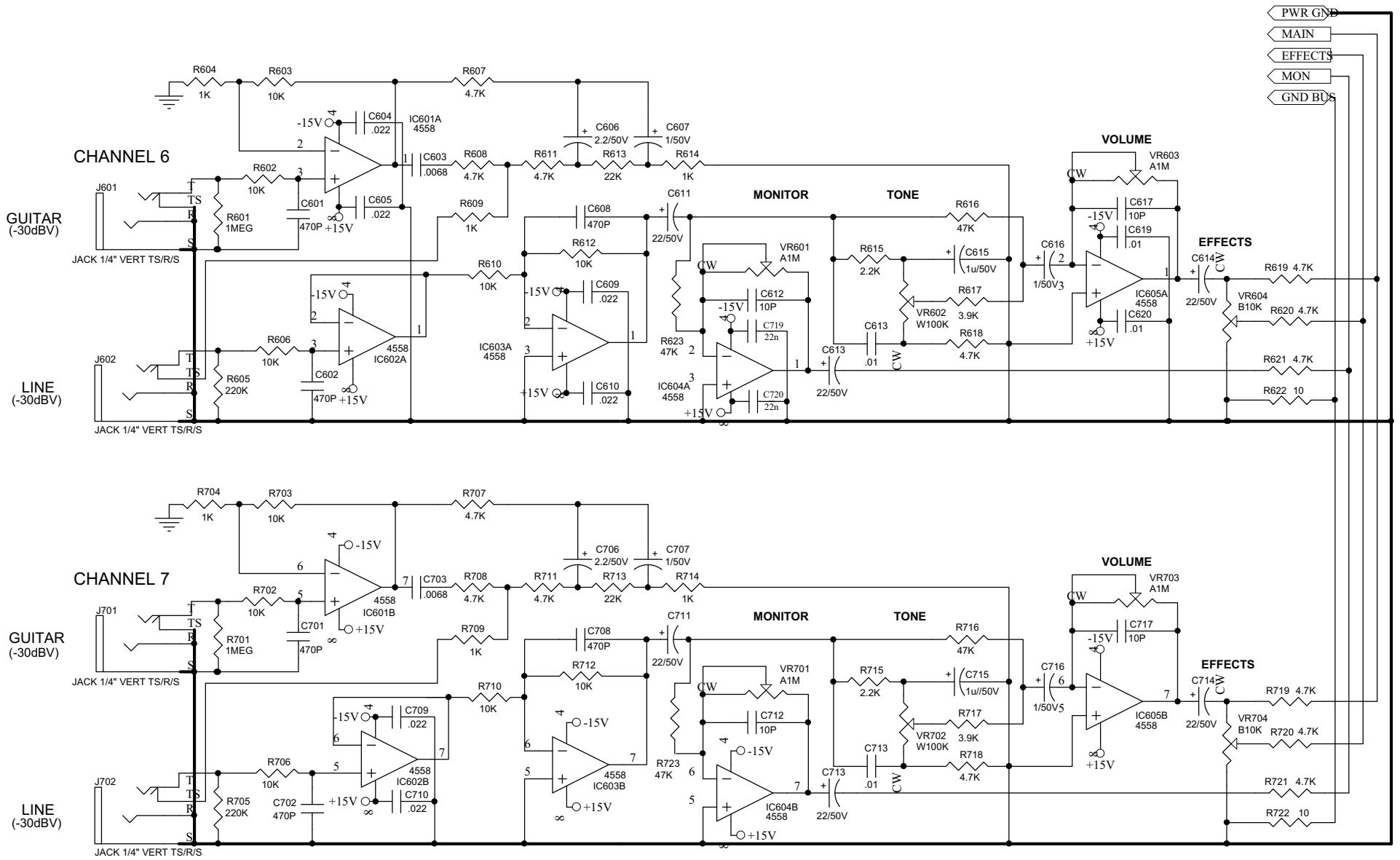


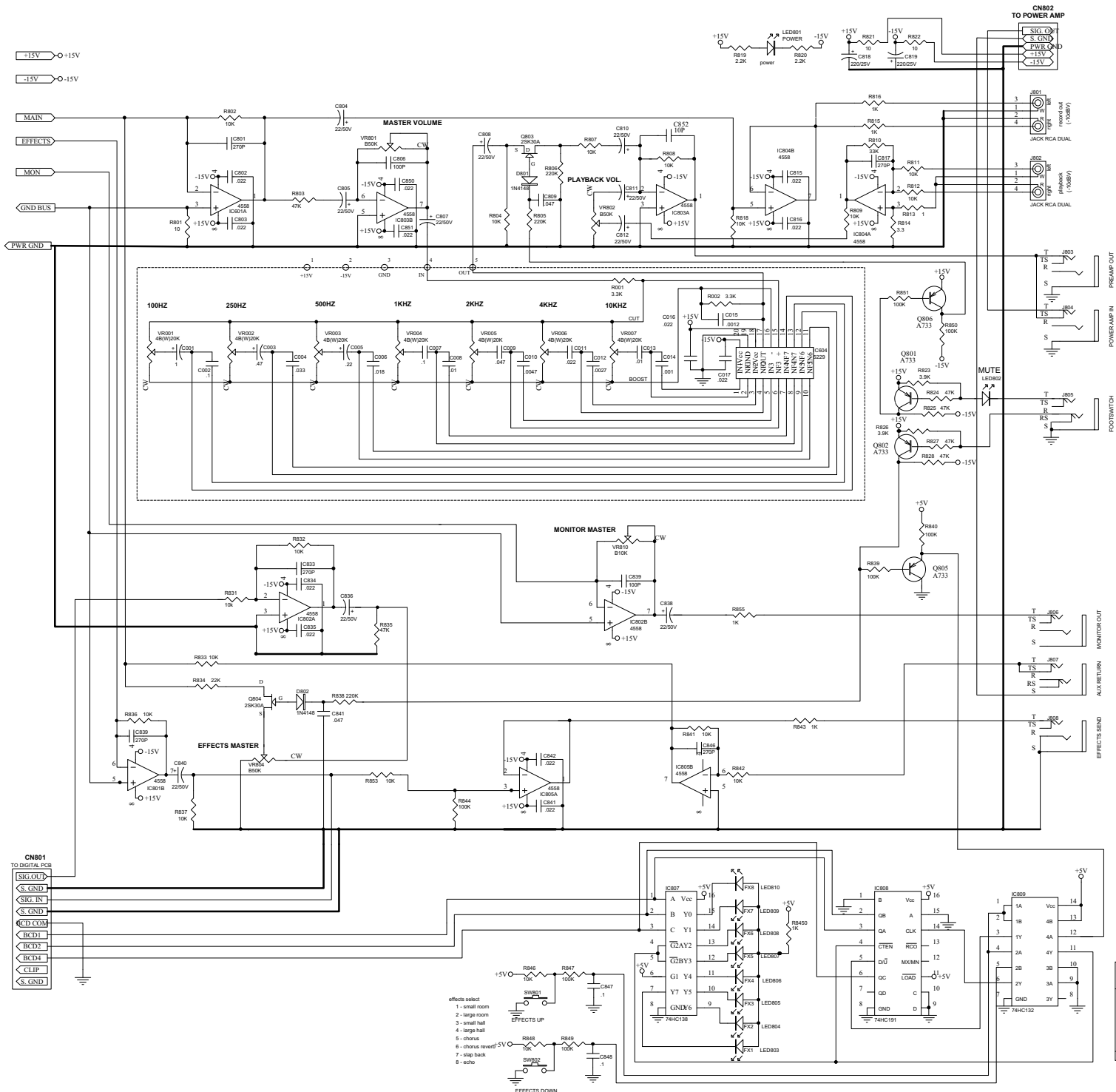
21-MAY-2002
Kustom Music Inc.
PA Heads

KPM7200/7250

Schematic Diagrams

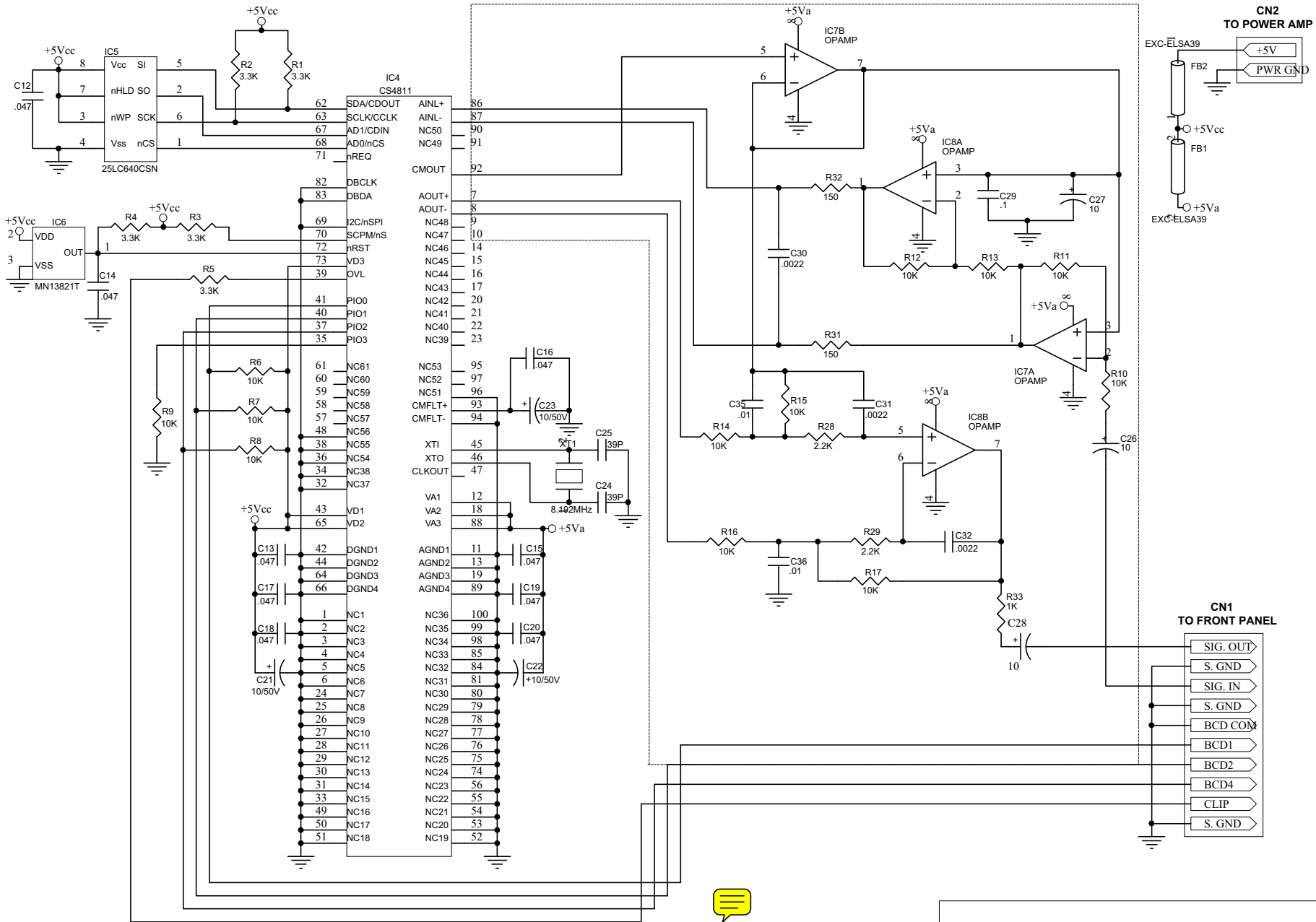


KPM7200 CH 6 & 7



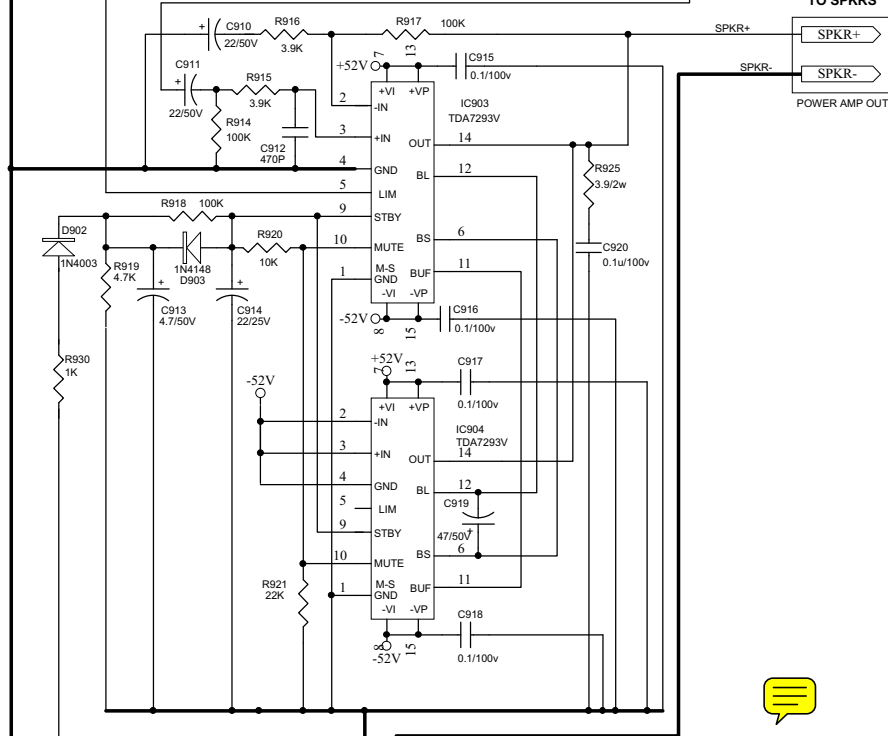
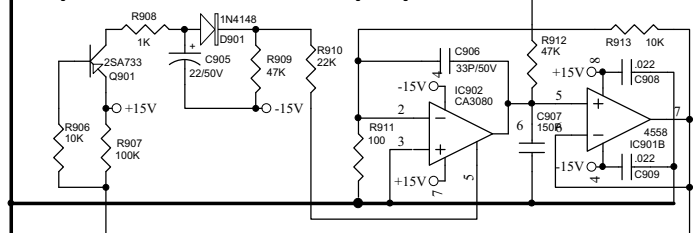
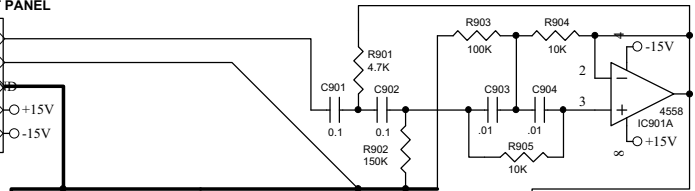
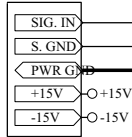
- effects select
- 1 - small room
 - 2 - large room
 - 3 - small hall
 - 4 - large hall
 - 5 - chorus
 - 6 - chorus reverb
 - 7 - slap back
 - 8 - echo

Title: KPM7200 MASTER	
KUSTOM INC. 4940 DELHI PIKE CINCINNATI OHIO 45238	
Revision:	
Date:	Drawn by:

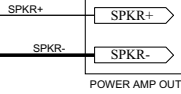


KUSTOM INC. 4940 DELHI PIKE CINCINNATI OHIO 45238	Title: KPM 7200 DIGITAL EFFECTS	
	Revision:	Drawn by:

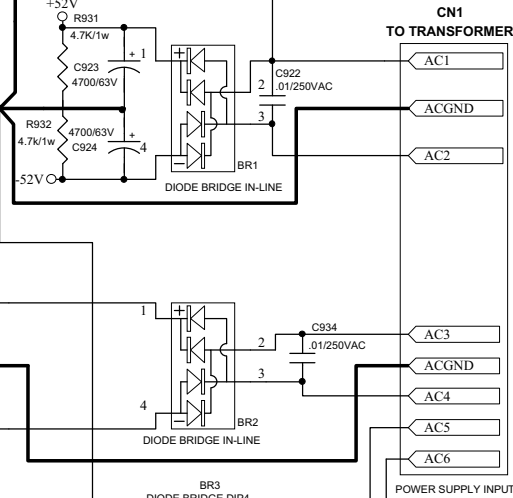
**CN3
TO FRONT PANEL**



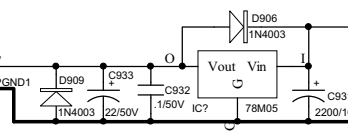
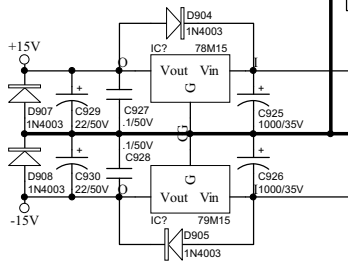
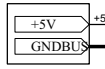
**CN4
TO SPKR'S**



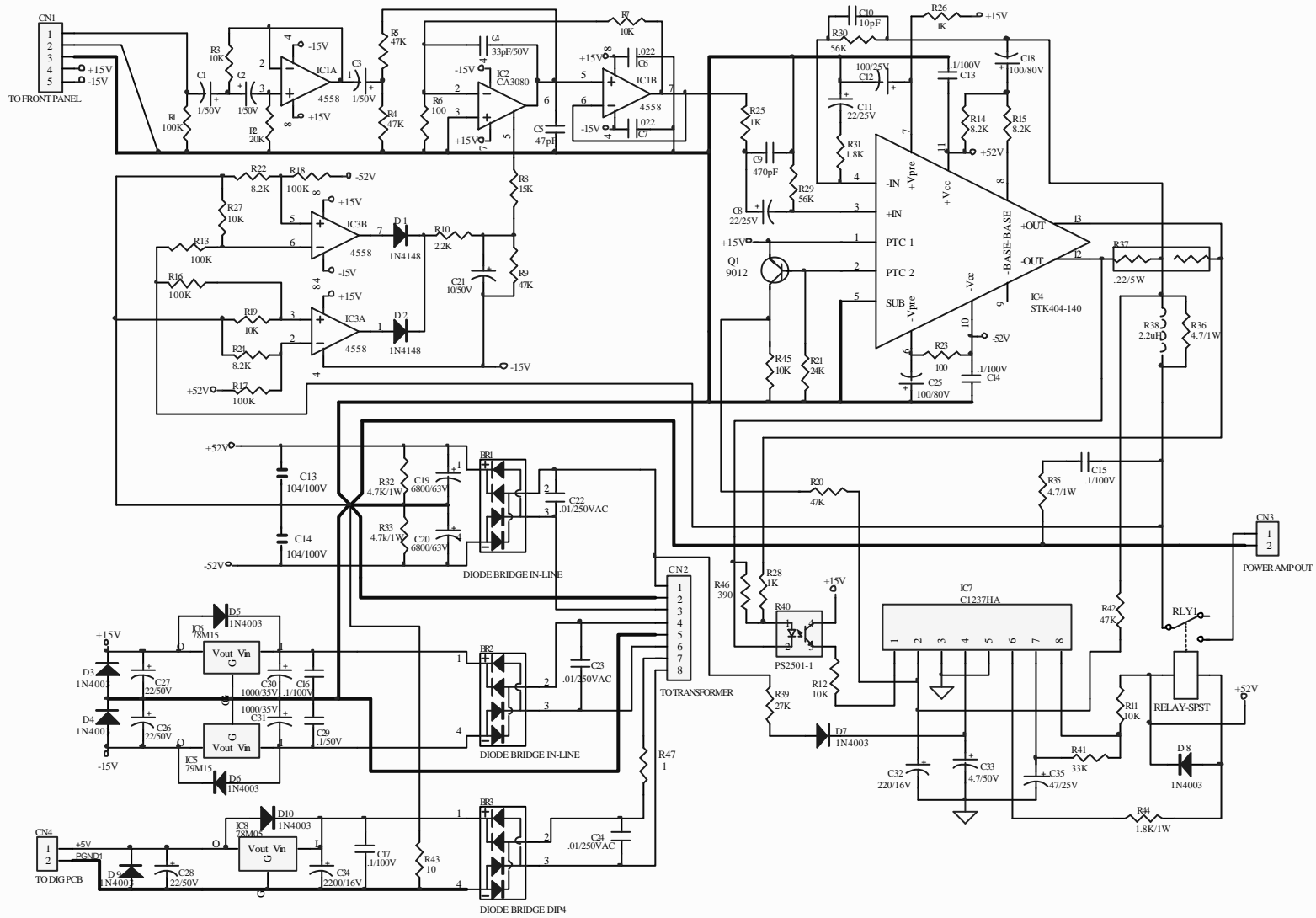
**CN1
TO TRANSFORMER**



**CN2
TO DIG. PCB**



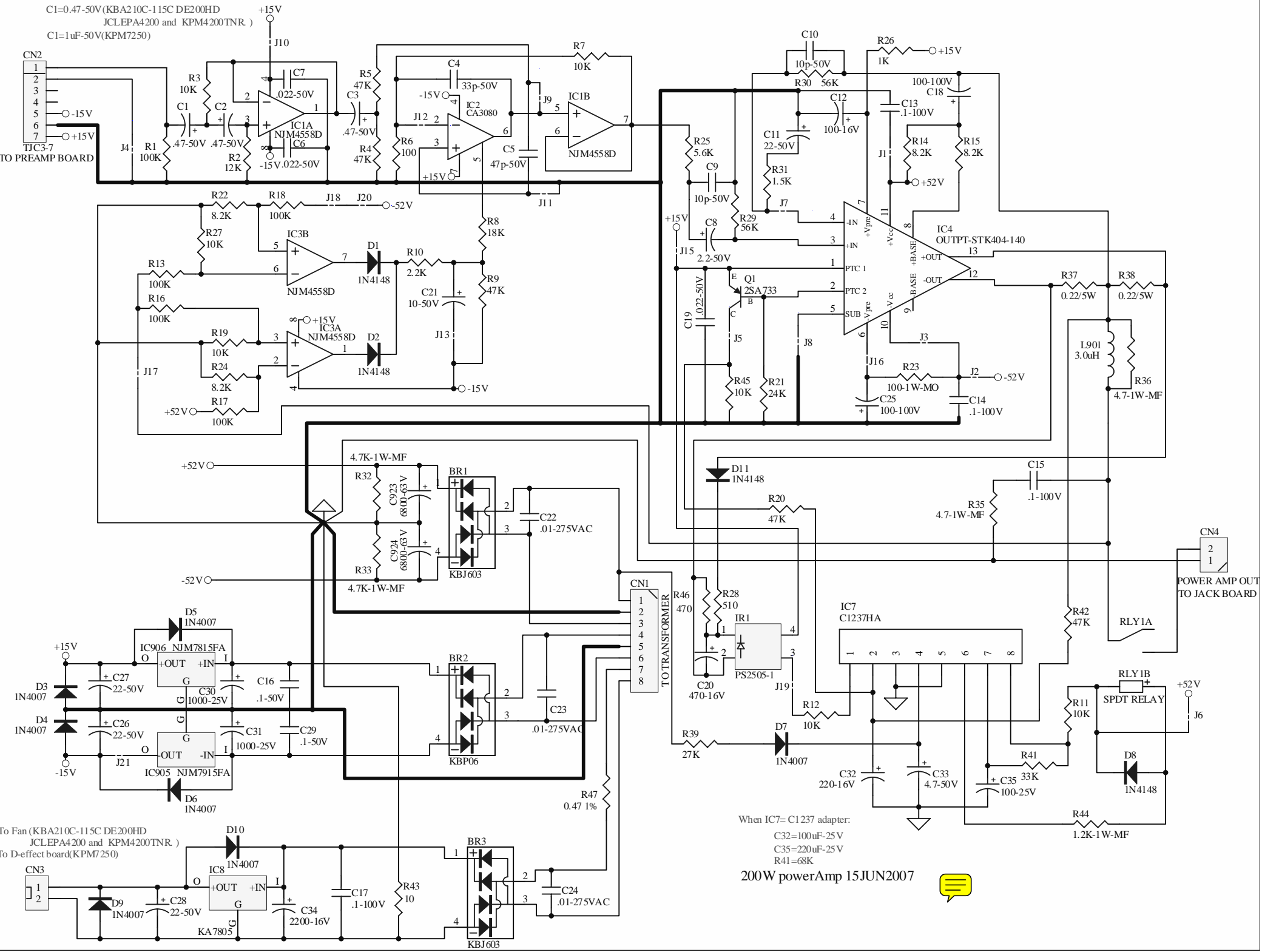
KUSTOM INC. 4940 DELHI PIKE CINCINNATI OHIO 45238	Title: KPM7200 POWER AMP	
	Revision:	



KPM7250 Power Module



C1=0.47-.50V (KBA210C-115C DE200HD
 JCLEPA4200 and KPM4200TNR.)
 C1=1uF-.50V(KPM7250)



When IC7=C1237 adapter:
 C32=100uF-25V
 C35=220uF-25V
 R41=68K

200W powerAmp 15JUN2007



To Fan (KBA210C-115C DE200HD
 JCLEPA4200 and KPM4200TNR.)
 To D-effect board(KPM7250)

POWER AMP OUT
 TO JACK BOARD