

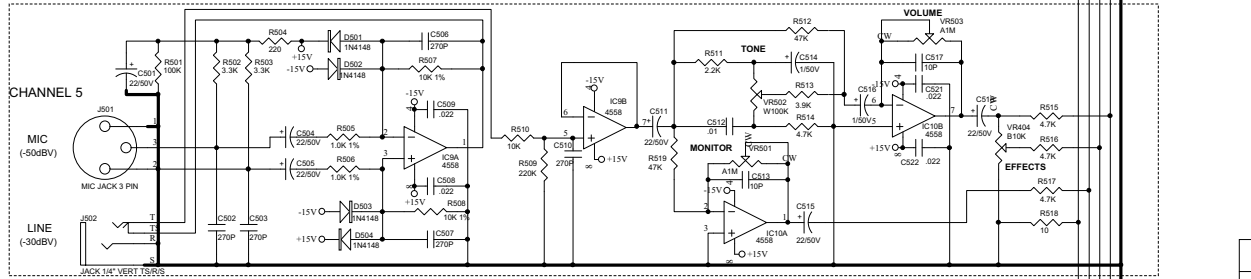
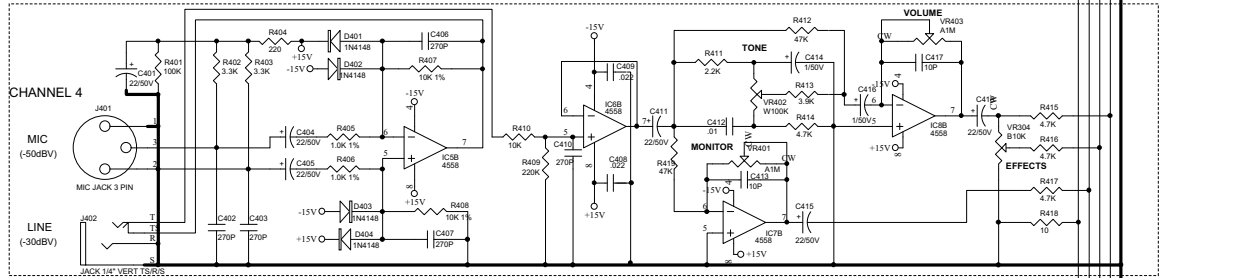
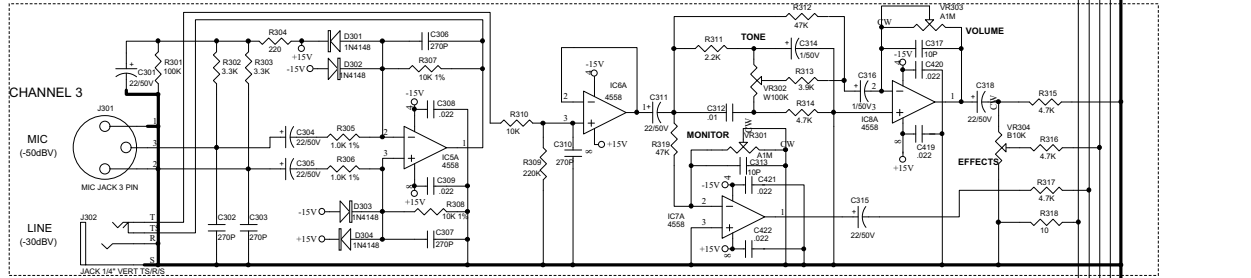
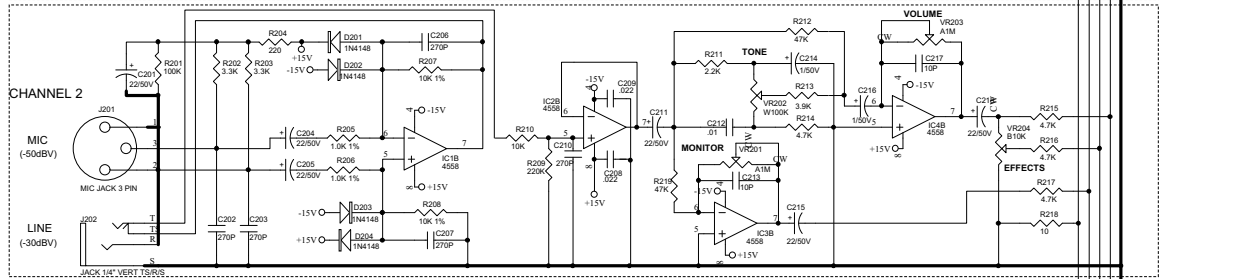
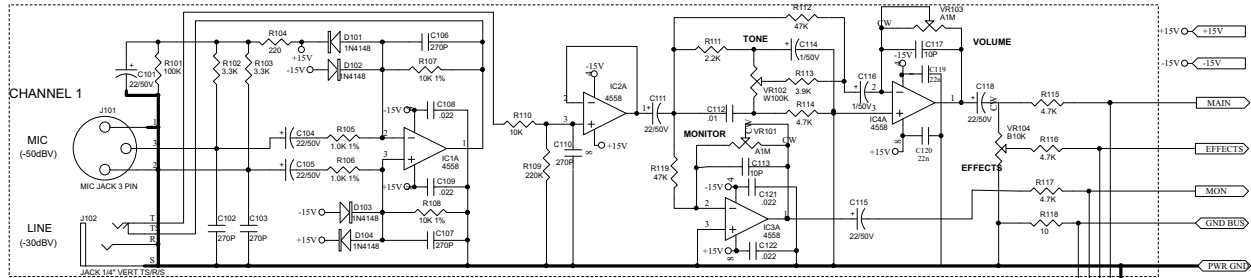
**21-MAY-2002**  
**Kustom Music Inc.**  
**PA Heads**

---

# **KPM7200/7250**

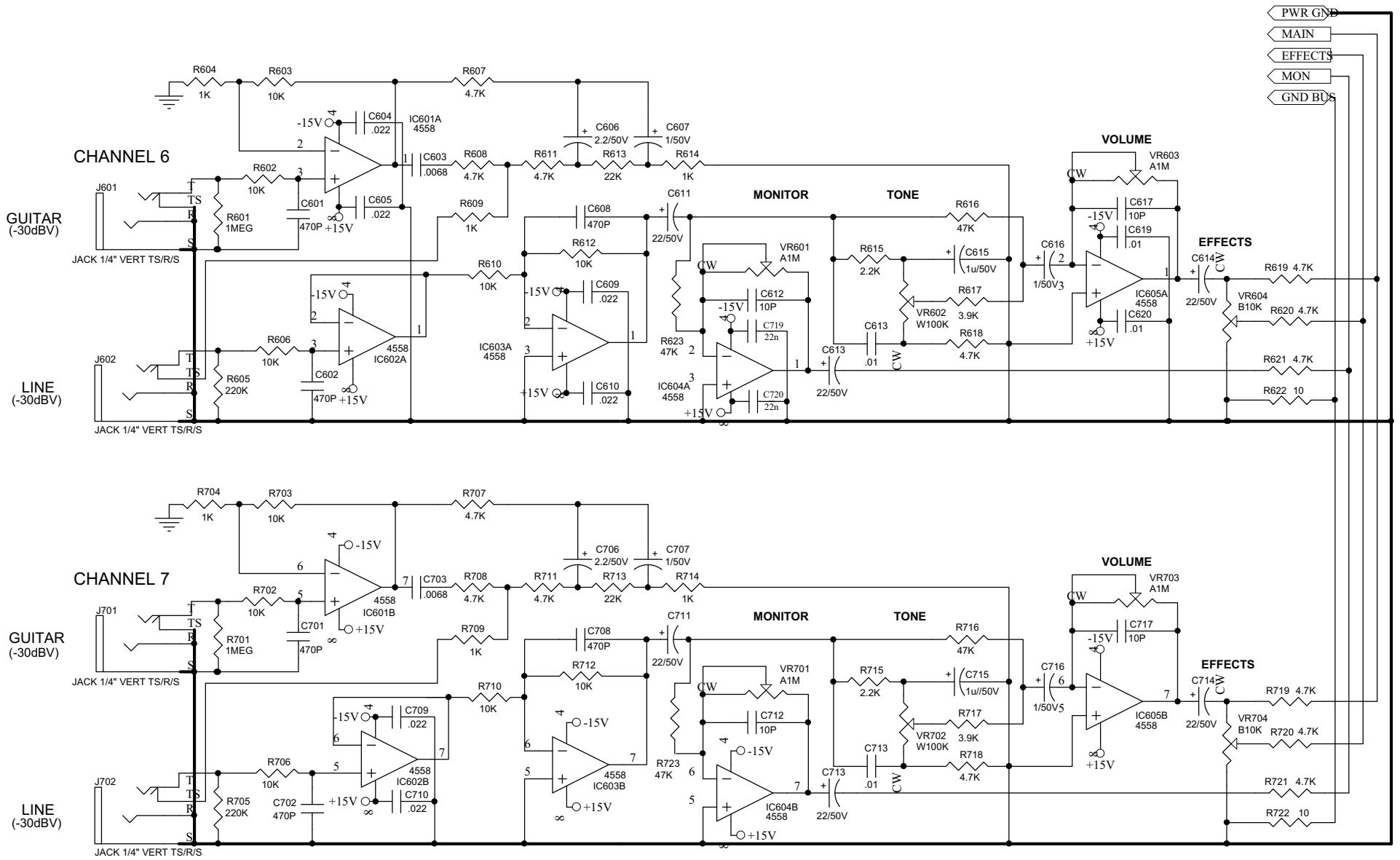
**Schematic Diagrams**

---

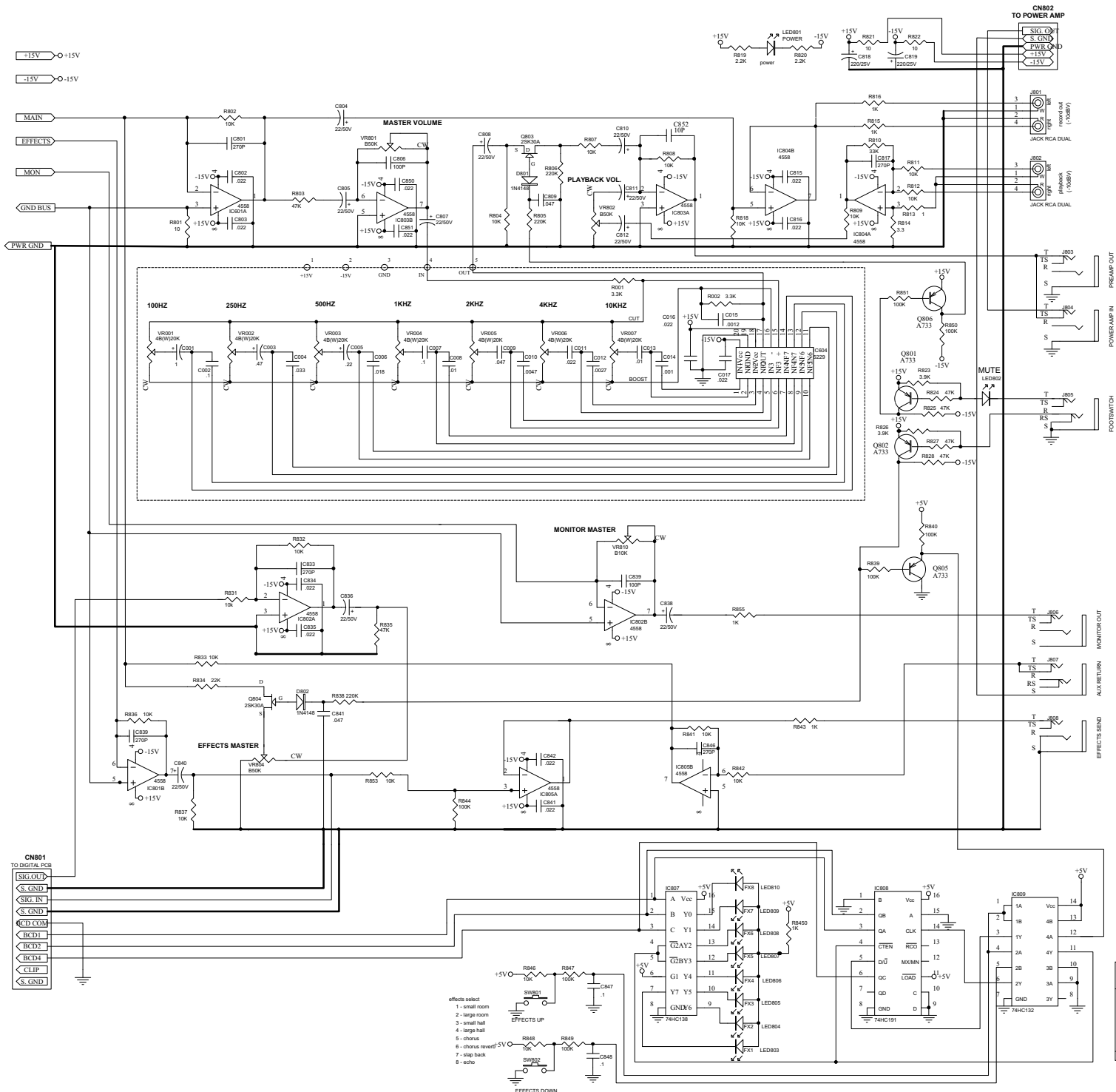


Title: <b>KPM 7200 INPUT(CH 1-5)</b>		Revision:
KLUSTON INC. 4840 DELHI PIKE CINCINNATI OHIO 45238	Size: 8.5x12 Part Number: 1700-0600 Date:	Revision: PRELIMINARY Sheet of Drawn by:

- PWR GND
- MAIN
- EFFECTS
- MON
- GND BUS

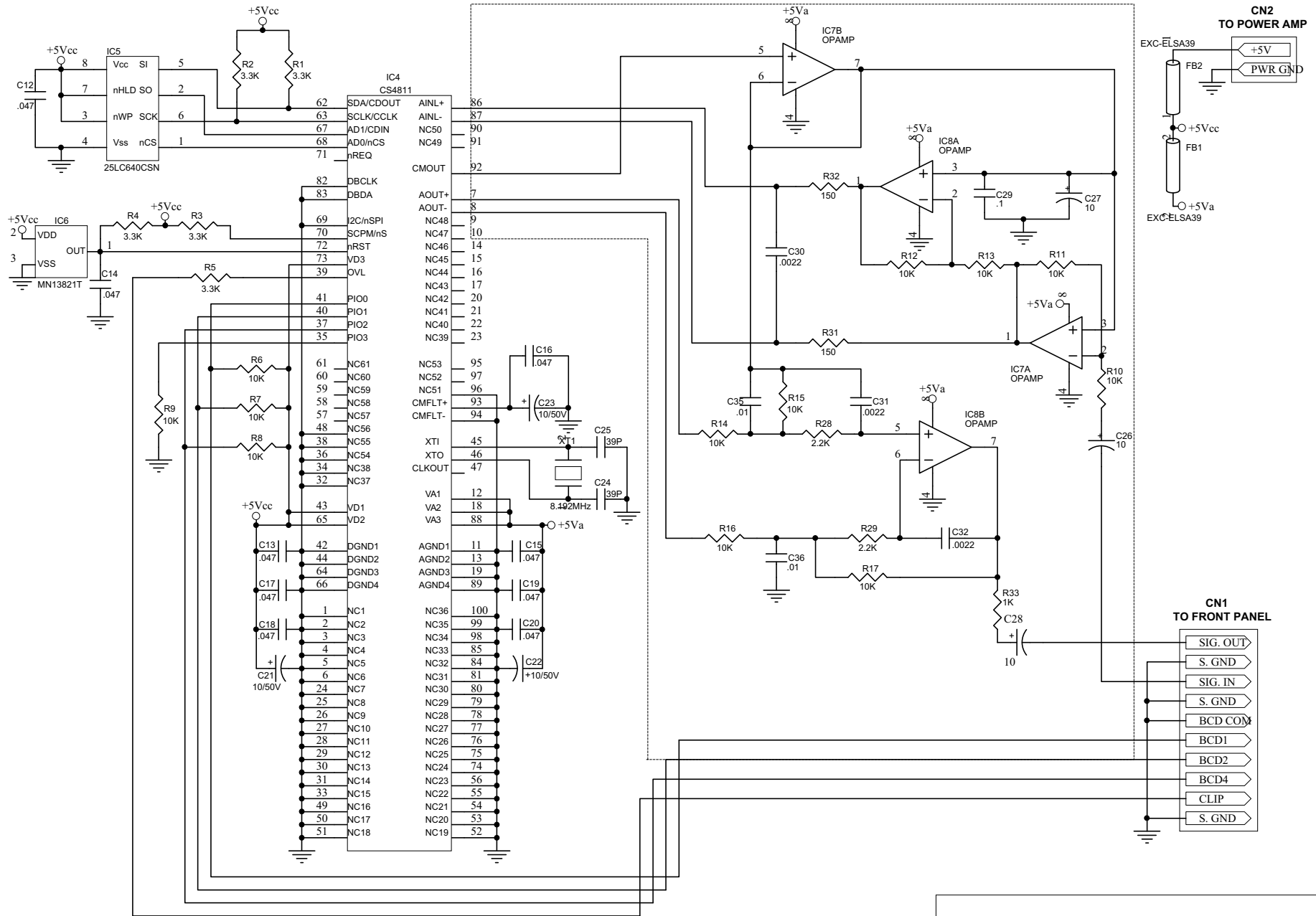


KPM7200 CH 6 & 7



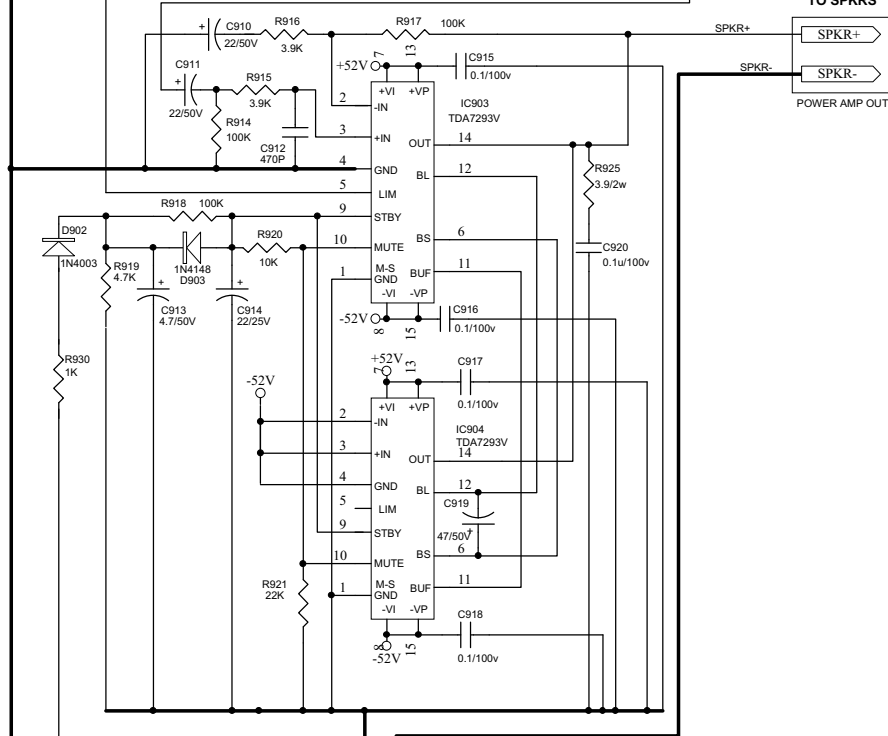
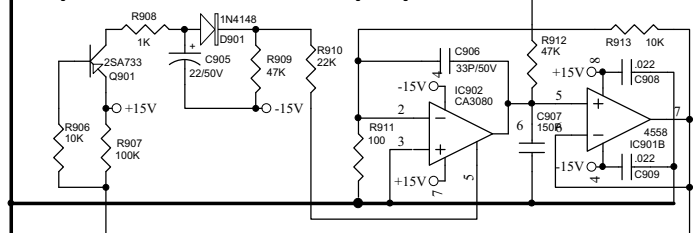
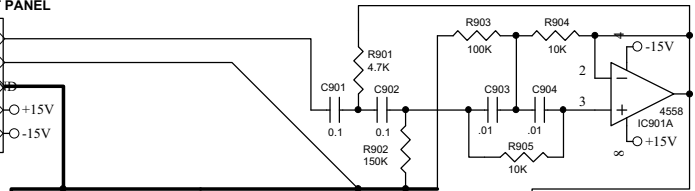
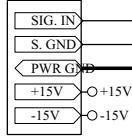
- effects select
- 1 - small room
  - 2 - large room
  - 3 - small hall
  - 4 - large hall
  - 5 - chorus
  - 6 - chorus reverb
  - 7 - slap back
  - 8 - echo
- effects LPN
- effects DOWN

Title: <b>KPM7200 MASTER</b>	
KUSTOM INC. 4940 DELHI PIKE CINCINNATI OHIO 45238	
Revision:	
Date:	Drawn by:

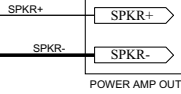


KUSTOM INC. 4940 DELHI PIKE CINCINNATI OHIO 45238	Title: <b>KPM 7200 DIGITAL EFFECTS</b>	
	Revision:	Drawn by:

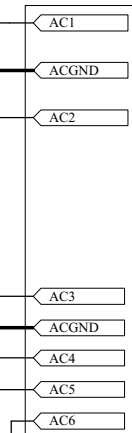
**CN3  
TO FRONT PANEL**



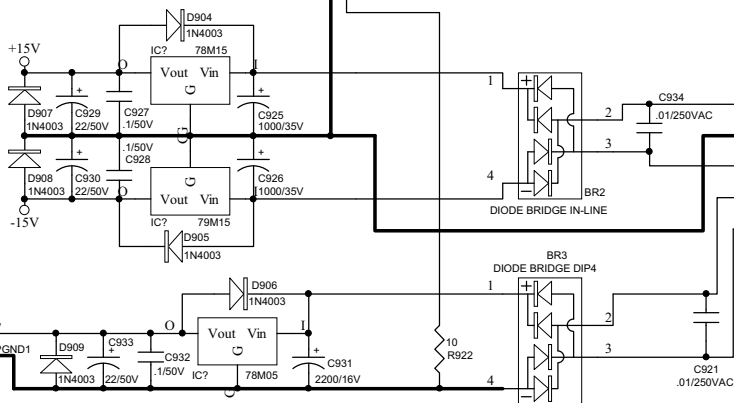
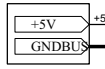
**CN4  
TO SPKR'S**



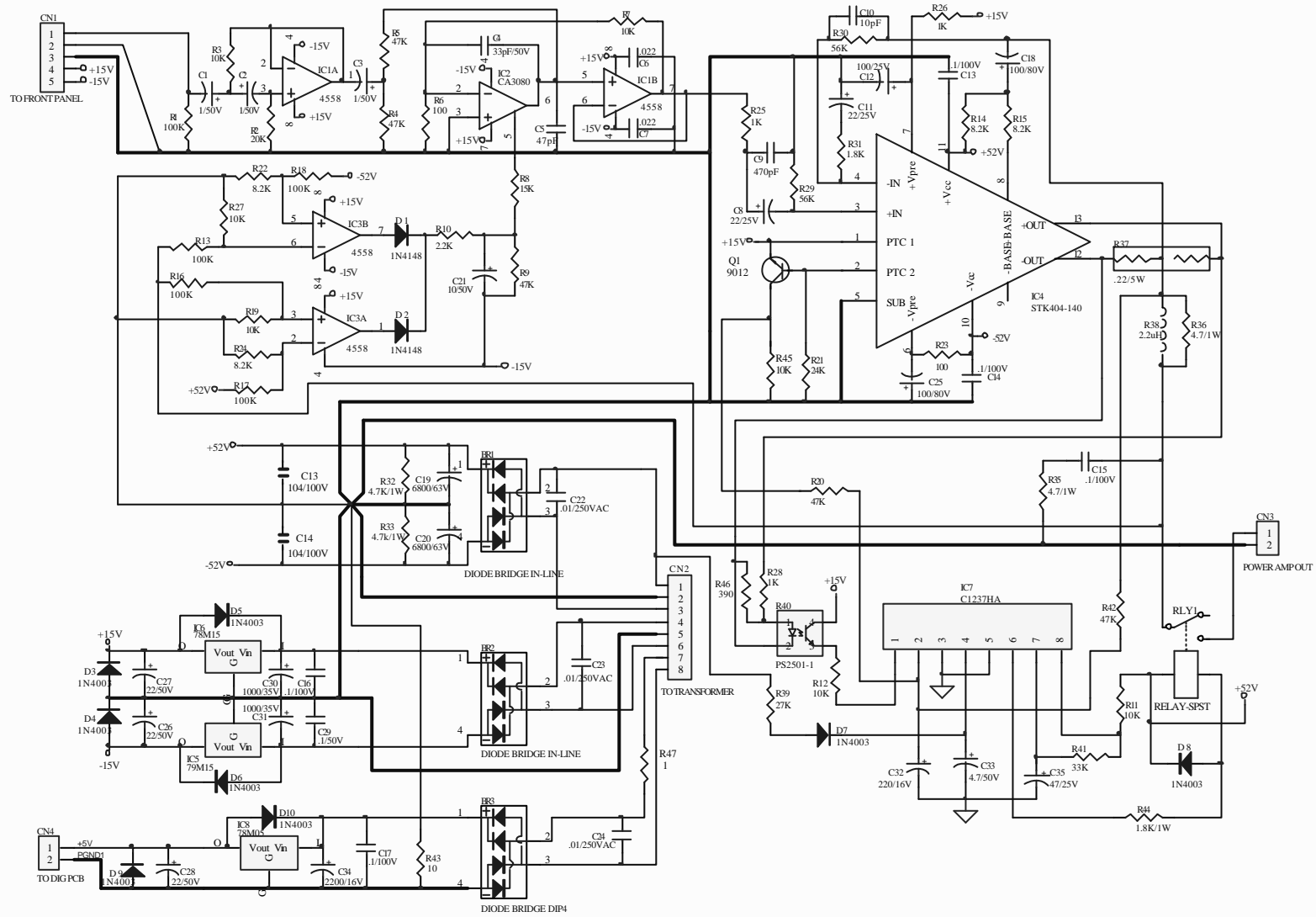
**CN1  
TO TRANSFORMER**



**CN2  
TO DIG. PCB**



KUSTOM INC. 4940 DELHI PIKE CINCINNATI OHIO 45238	Title: <b>KPM7200 POWER AMP</b>	
	Revision:	



KPM7250 Power Module