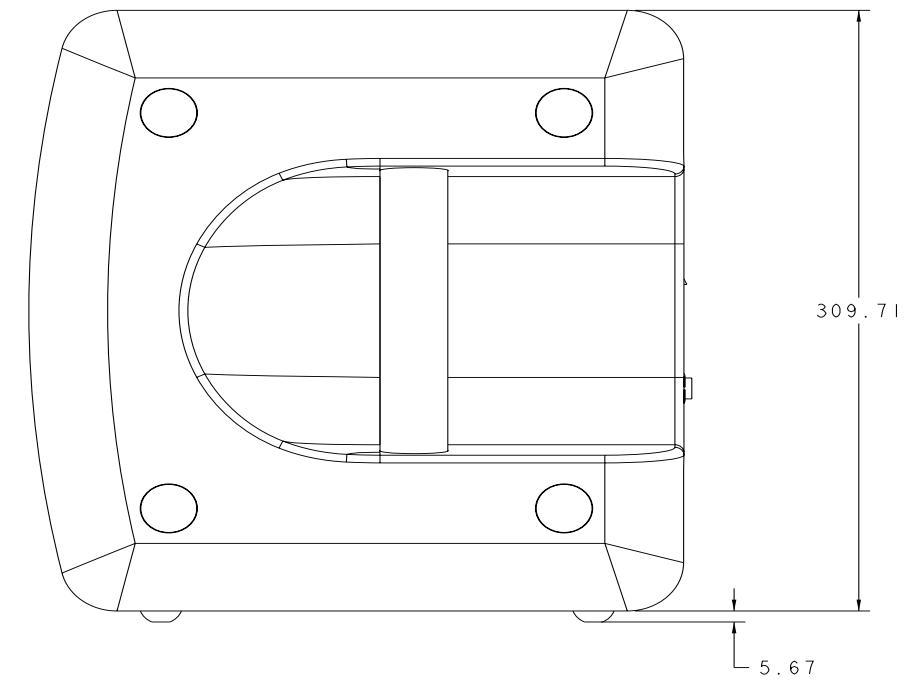
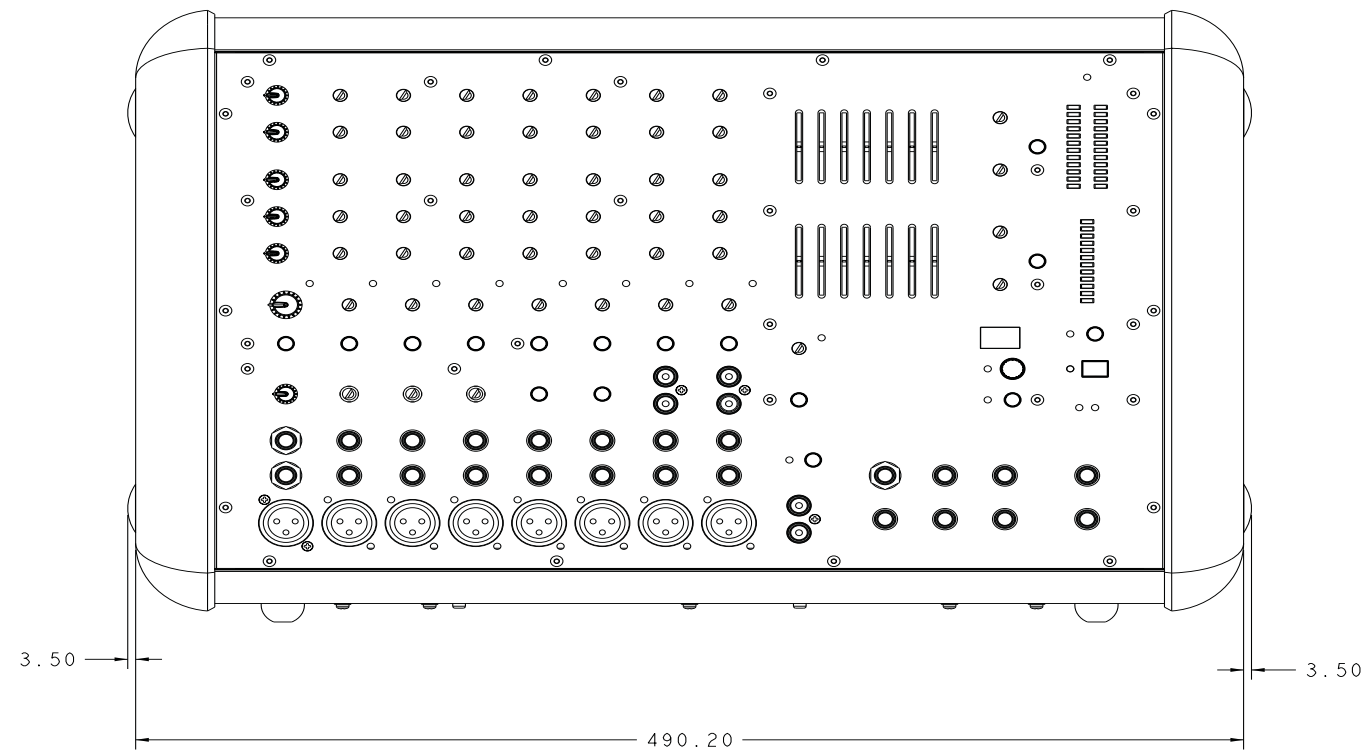
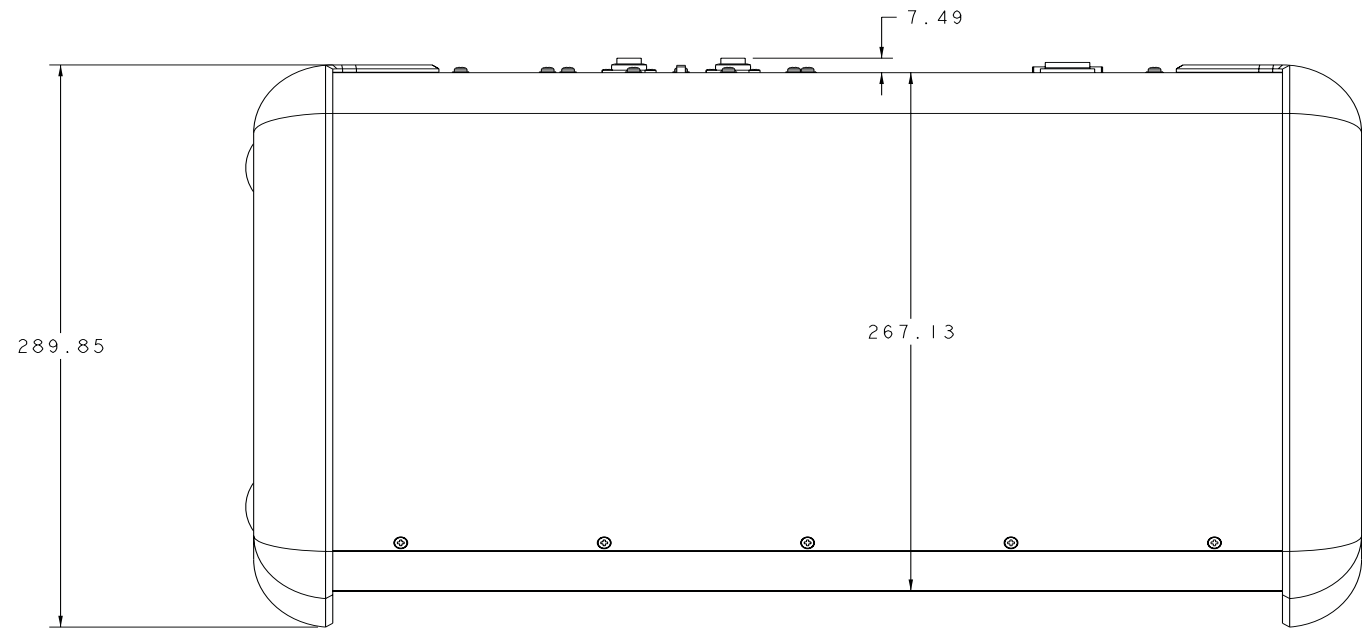


THE INFORMATION CONTAINED HEREIN IS PROPRIETARY AND CONFIDENTIAL PROPERTY OF LOUD TECHNOLOGIES INC. ALL RIGHTS RESERVED

REVISION HISTORY			
REV	ZONE	DESCRIPTION	NOTE
A		RELEASE TO PRODUCTION	ECOWD10002 RGW 3/6/08

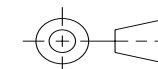


DESIGNED BY
R. WARD
DRAWN BY
R. WARD
APPROVED BY

LOUD Technologies Inc.
16220 WOOD-RED RD. WOODINVILLE, WA 98072

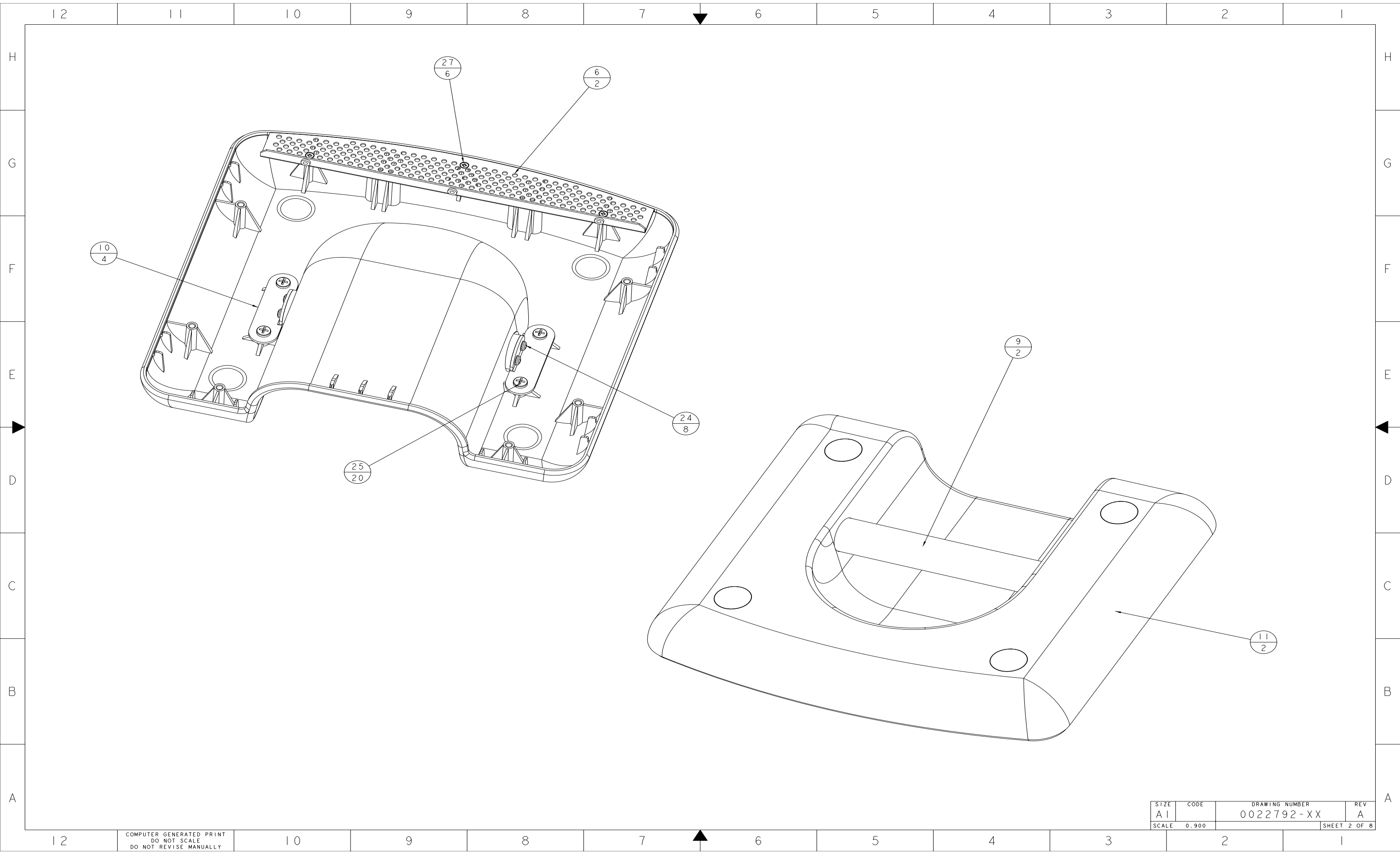
TITLE
ASSY FINAL
SMALL BOX 100/120V
PPM608

THIRD ANGLE PROJECTION



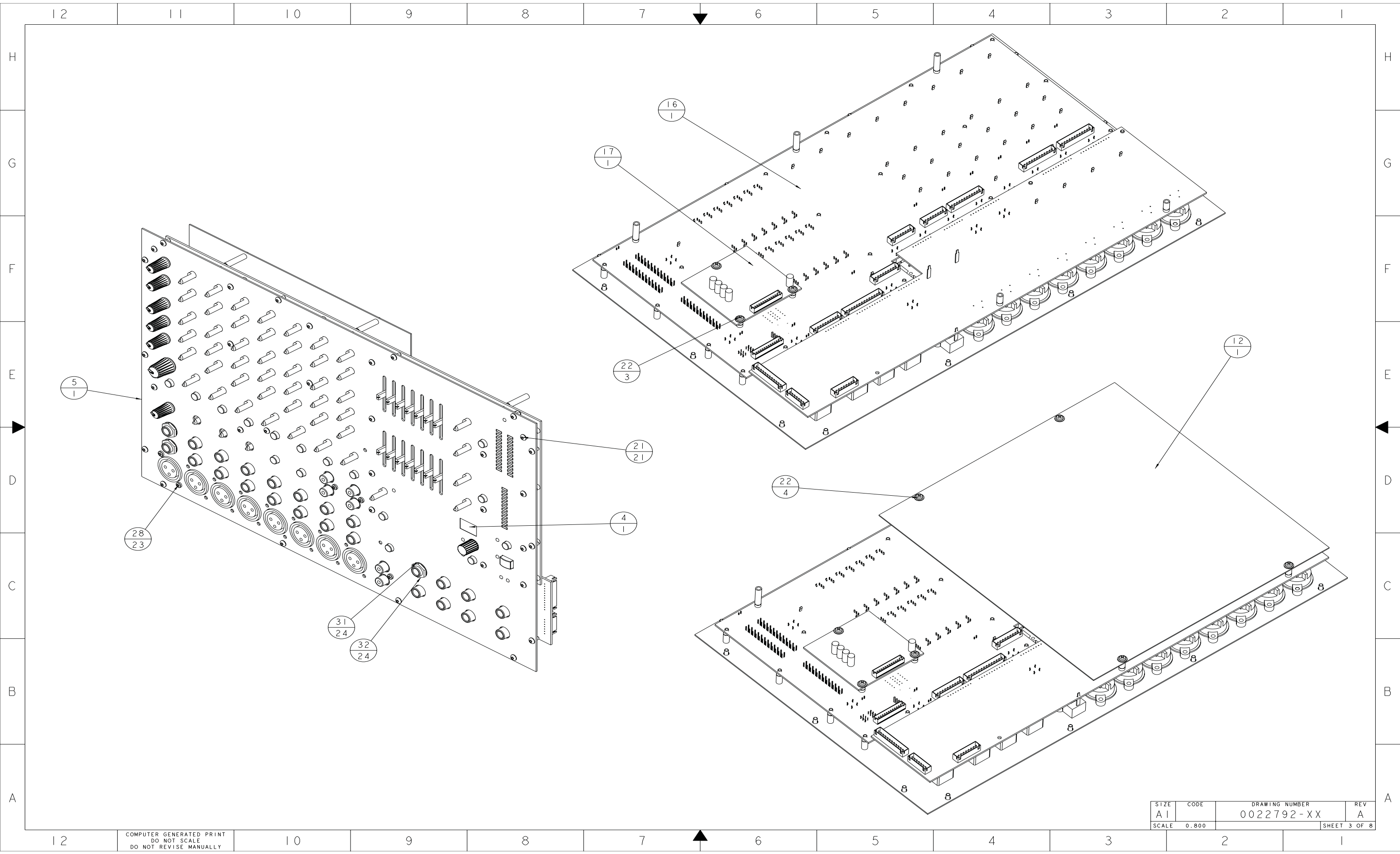
SIZE A1	CODE	DRAWING NUMBER 0022792-XX	REV A
SCALE 0.600	FILE 0000.0022792.SB.PD	SHEET 8	OF 8

COMPUTER GENERATED PRINT
DO NOT SCALE
DO NOT REVISE MANUALLY



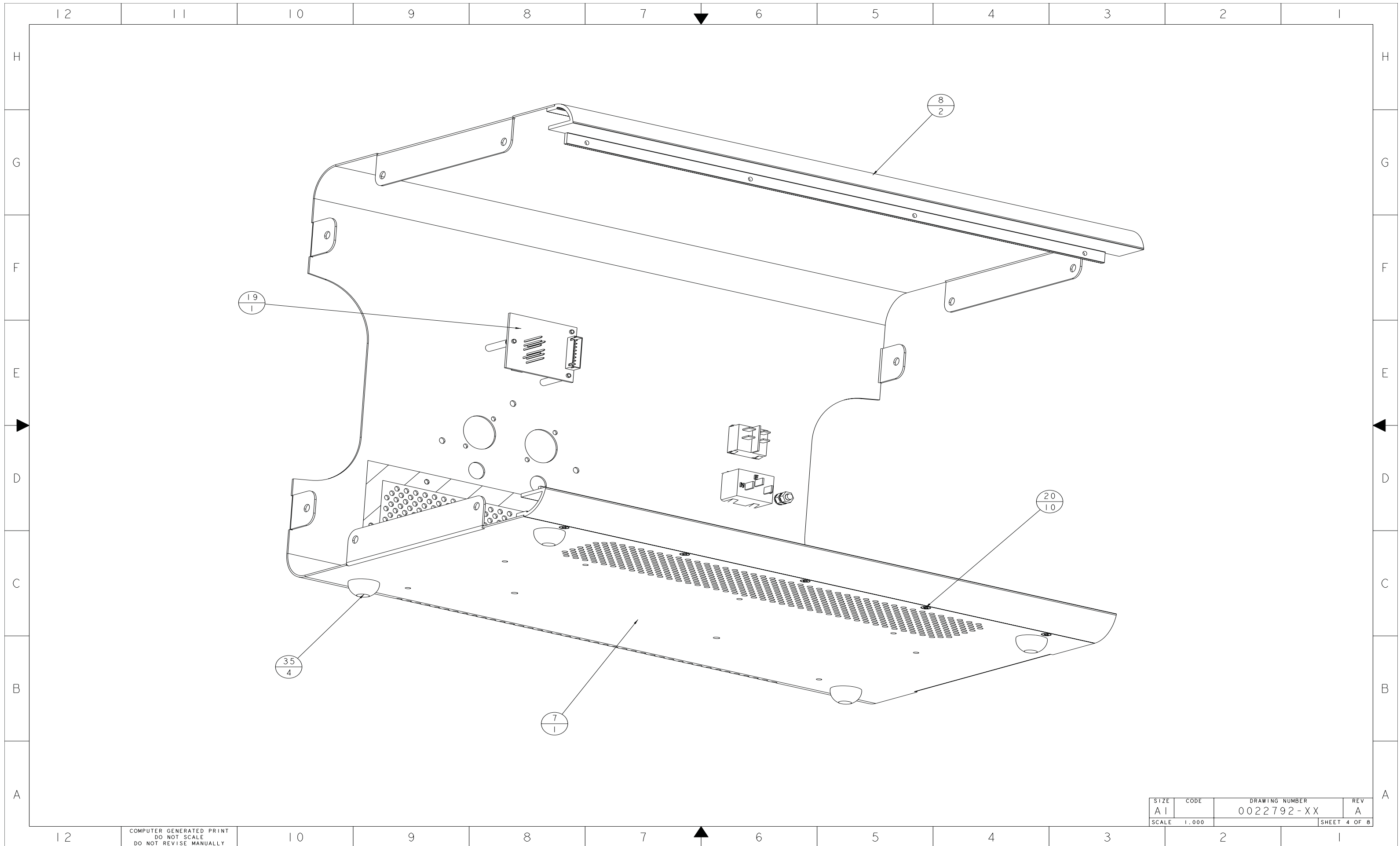
SIZE	CODE	DRAWING NUMBER	REV
A1		0022792-XX	A
SCALE 0.900		SHEET 2 OF 8	

12 COMPUTER GENERATED PRINT
DO NOT SCALE
DO NOT REVISE MANUALLY



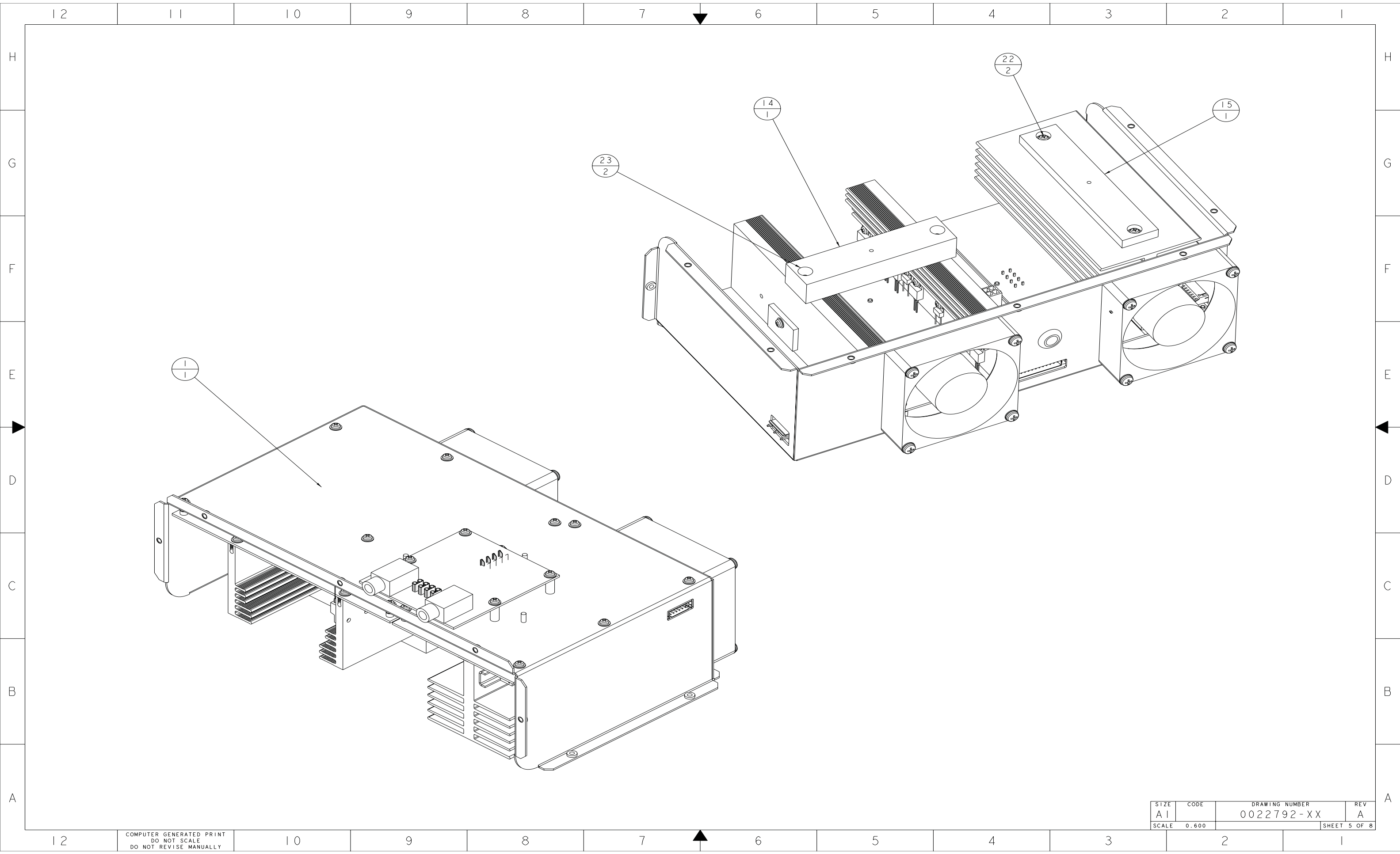
SIZE	CODE	DRAWING NUMBER	REV
A1		0022792-XX	A
SCALE 0.800		SHEET 3 OF 8	

COMPUTER GENERATED PRINT
DO NOT SCALE
DO NOT REVISE MANUALLY



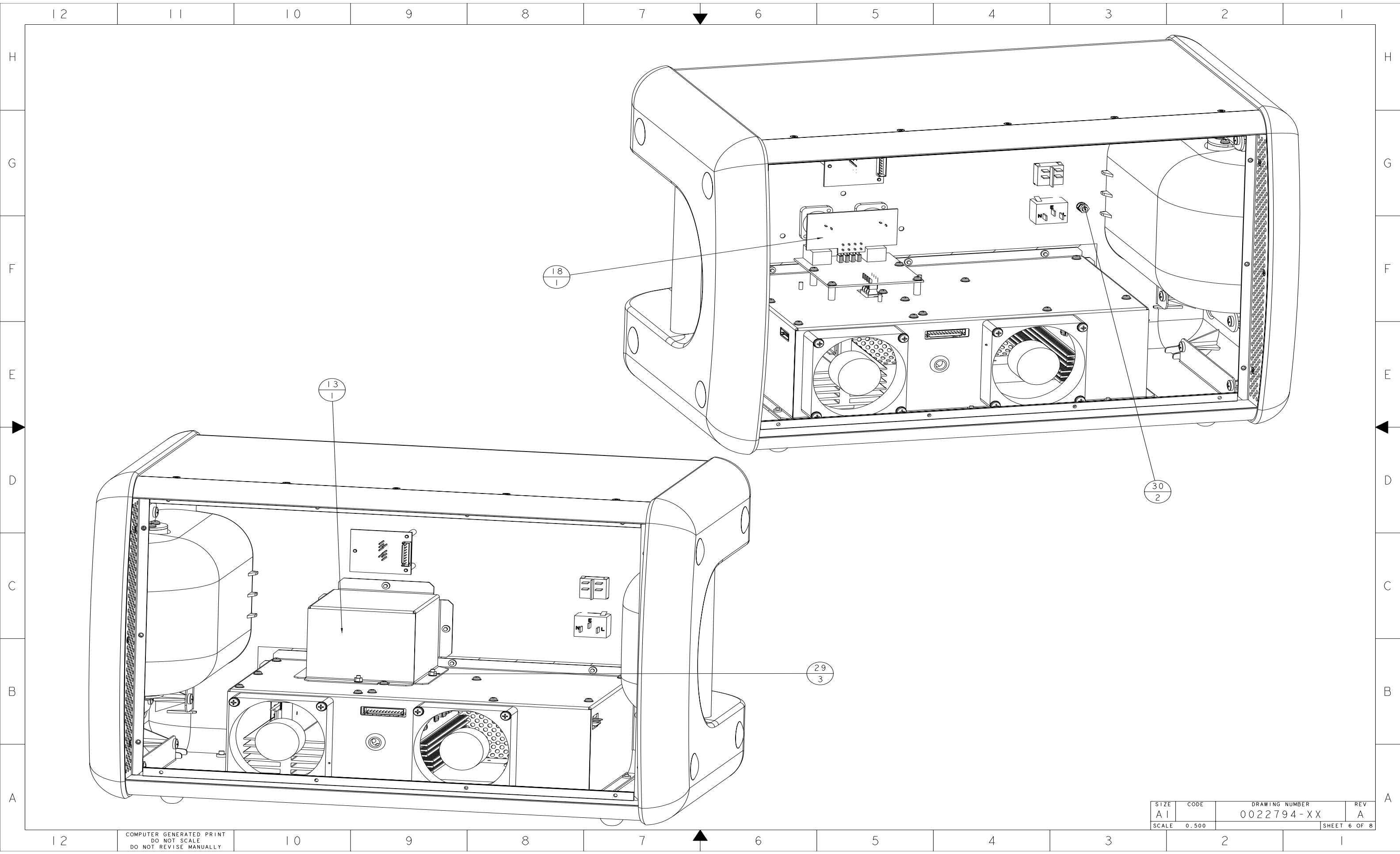
SIZE	CODE	DRAWING NUMBER	REV
A1		0022792-XX	A
SCALE	1.000	SHEET 4 OF 8	

COMPUTER GENERATED PRINT
DO NOT SCALE
DO NOT REVISE MANUALLY



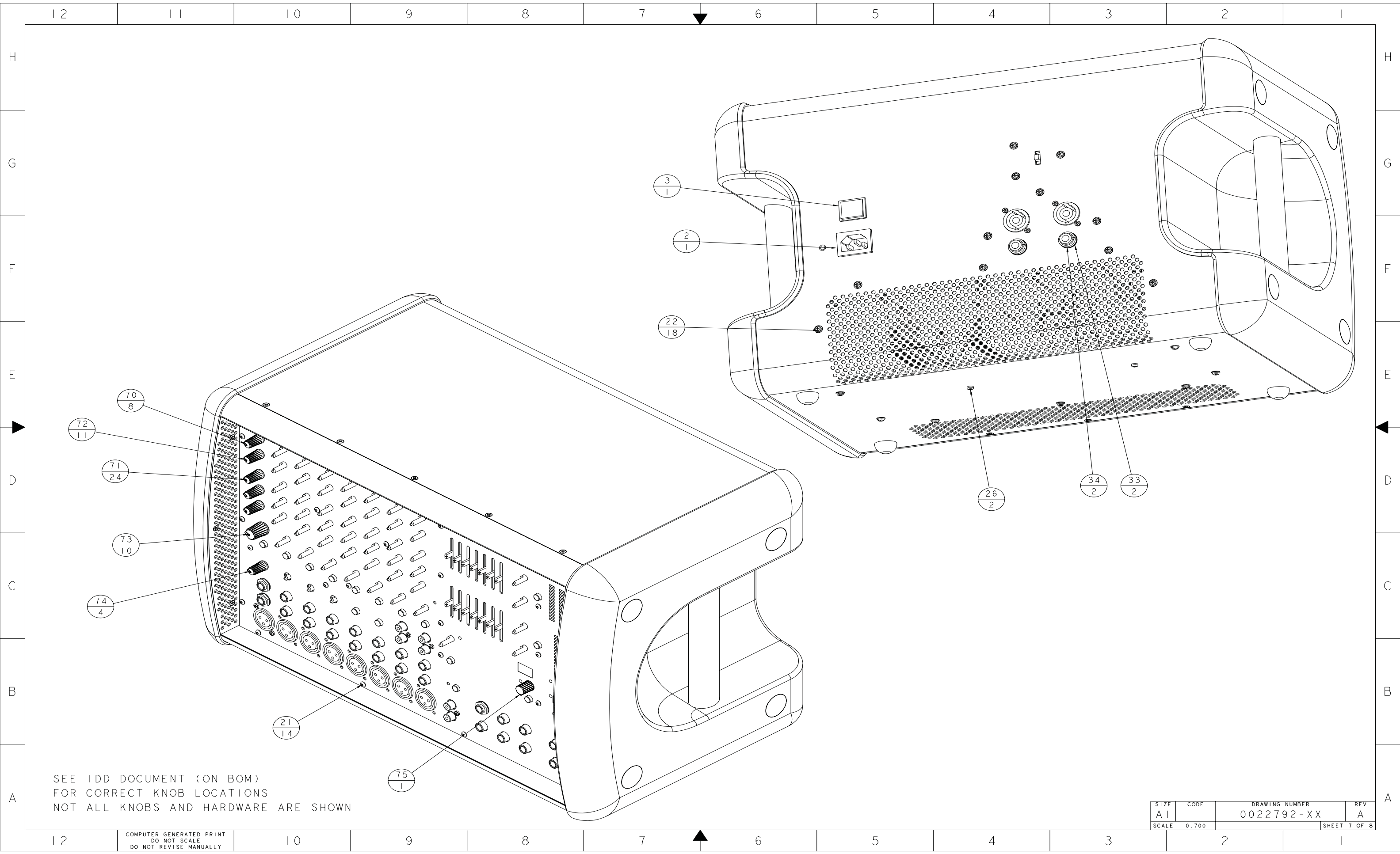
SIZE	CODE	DRAWING NUMBER	REV
A1		0022792-XX	A
SCALE 0.600		SHEET 5 OF 8	

COMPUTER GENERATED PRINT
DO NOT SCALE
DO NOT REVISE MANUALLY



COMPUTER GENERATED PRINT
DO NOT SCALE
DO NOT REVISE MANUALLY

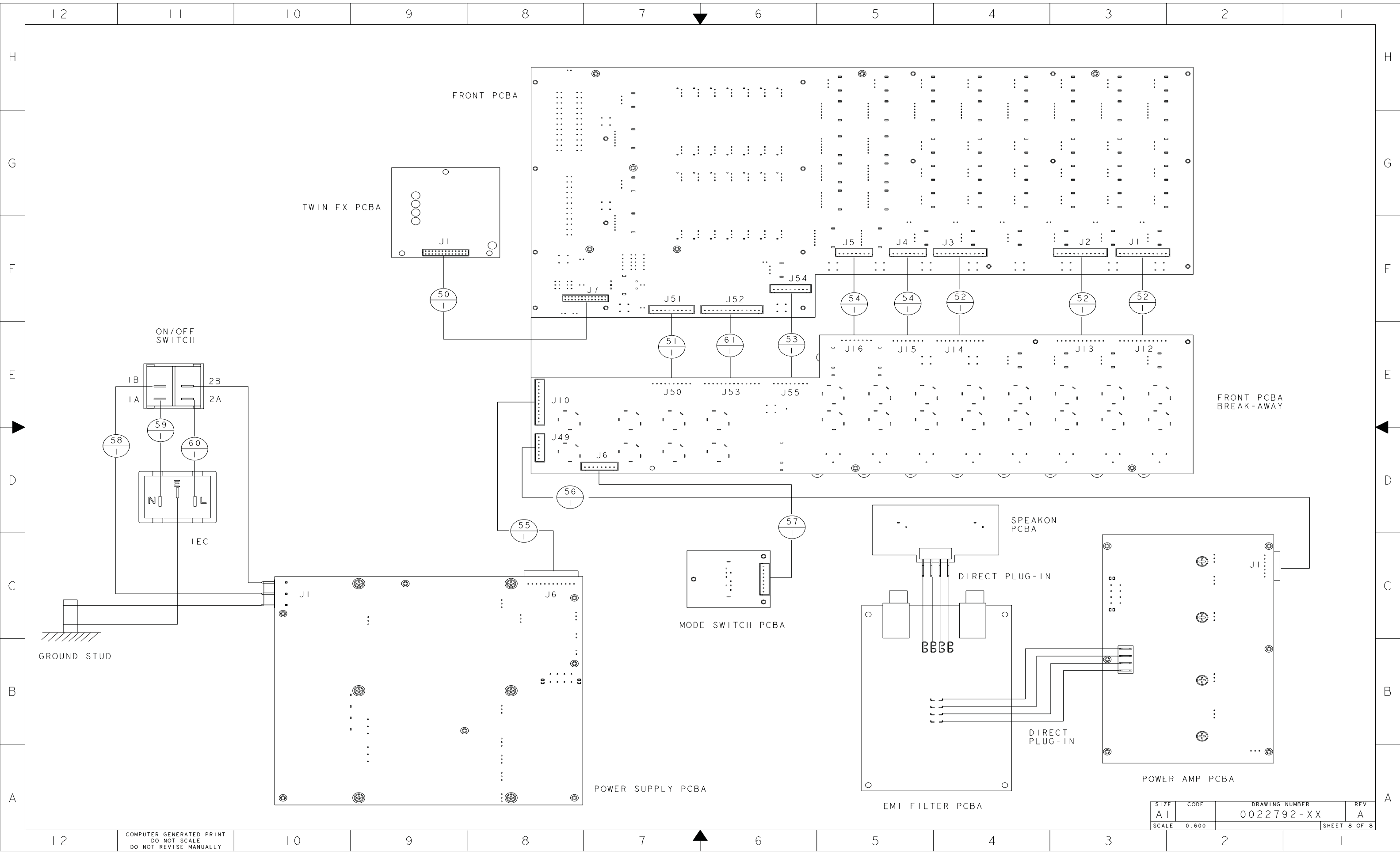
SIZE	CODE	DRAWING NUMBER	REV
A1		0022794-XX	A
SCALE 0.500		SHEET 6 OF 8	



SEE IDD DOCUMENT (ON BOM)
 FOR CORRECT KNOB LOCATIONS
 NOT ALL KNOBS AND HARDWARE ARE SHOWN

SIZE	CODE	DRAWING NUMBER	REV
A1		0022792-XX	A
SCALE 0.700		SHEET 7 OF 8	

12 COMPUTER GENERATED PRINT
DO NOT SCALE
DO NOT REVISE MANUALLY



COMPUTER GENERATED PRINT
DO NOT SCALE
DO NOT REVISE MANUALLY

SIZE A1	CODE 0.600	DRAWING NUMBER 0022792-XX	REV A
		SHEET 8 OF 8	