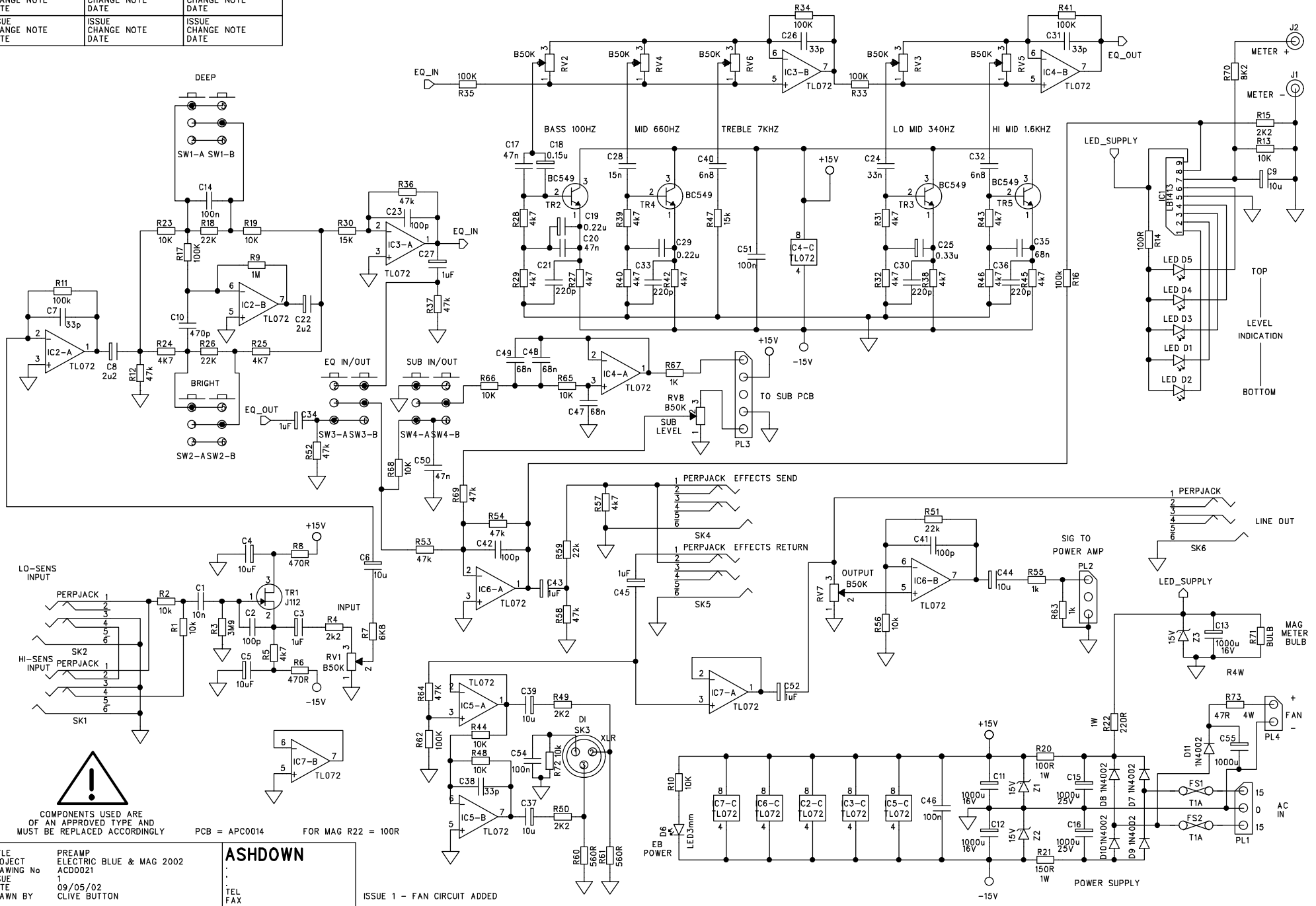


| | | |
|------------------------|------------------------|------------------------|
| ISSUE CHANGE NOTE DATE | ISSUE CHANGE NOTE DATE | ISSUE CHANGE NOTE DATE |
| ISSUE CHANGE NOTE DATE | ISSUE CHANGE NOTE DATE | ISSUE CHANGE NOTE DATE |



COMPONENTS USED ARE OF AN APPROVED TYPE AND MUST BE REPLACED ACCORDINGLY

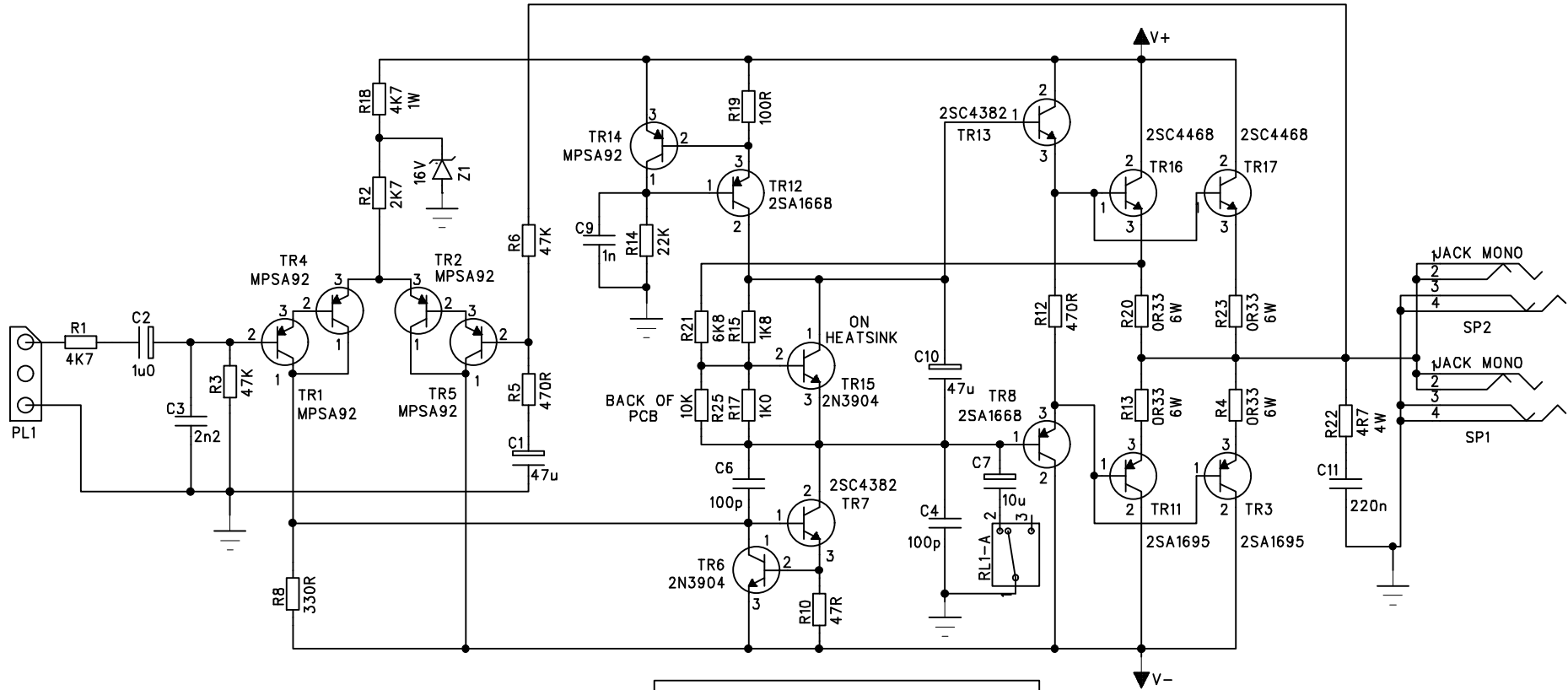
PCB = APC0014

FOR MAG R22 = 100R

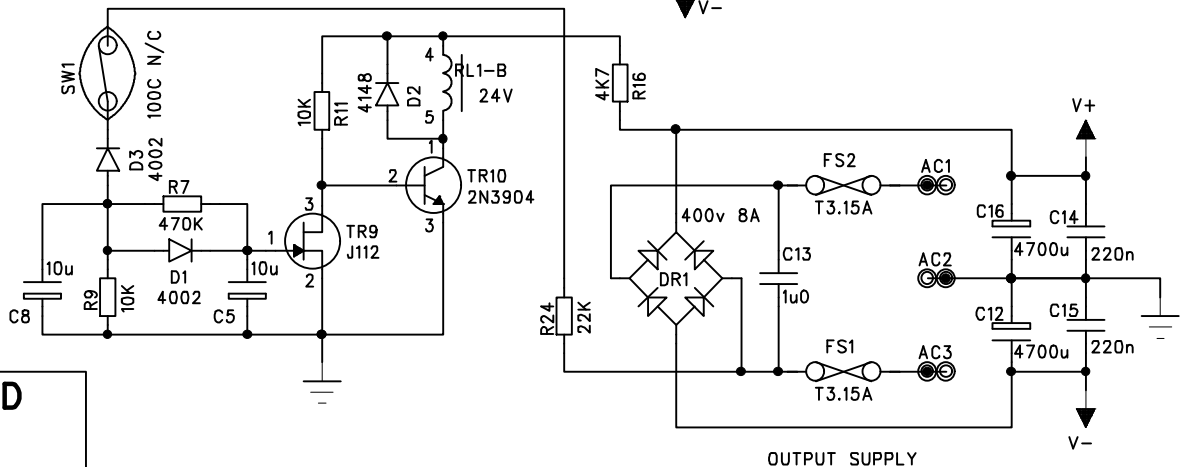
TITLE PROJECT PREAMP
 DRAWING No. ELECTRIC BLUE & MAG 2002
 ISSUE AC00021
 DATE 09/05/02
 DRAWN BY CLIVE BUTTON

ASHDOWN
 . . .
 TEL
 FAX

ISSUE 1 - FAN CIRCUIT ADDED



FOR 150 OUTPUT BOARD
DO NOT FIT - TR3, TR17, R4 & R23

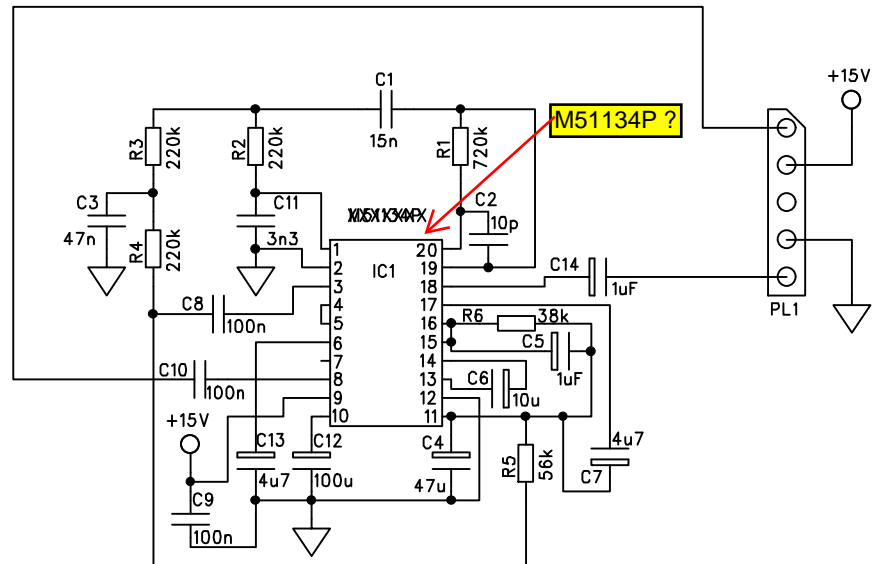


ISSUE 1 - R9 CHANGED TO 10K, R24 CHANGED TO 22K

TITLE 150/250 WATT OUTPUT STAGE
PROJECT ELECTRIC BLUE & MAG AMPLIFIERS
DRAWING No: ACD020
ISSUE 1
DATE 21/05/02
DRAWN BY CLIVE BUTTON

ASHDOWN LTD
PARK FARM, INWORTH
COLCHESTER, CO5 9SH
ENGLAND
TEL (01376) 572872
FAX (01376) 572972

| | | |
|------------------------------|------------------------------|------------------------------|
| ISSUE CHANGE NOTE DATE | ISSUE CHANGE NOTE DATE | ISSUE CHANGE NOTE DATE |
| ISSUE CHANGE NOTE DATE | ISSUE CHANGE NOTE DATE | ISSUE CHANGE NOTE DATE |



TITLE BASS EMPHASIS SUB PCB
 PROJECT ASHDOWN BASS AMPS
 DRAWING No ACD022
 ISSUE A
 DATE 4/9/01
 DRAWN BY CLIVE BUTTON

ASHDOWN LTD