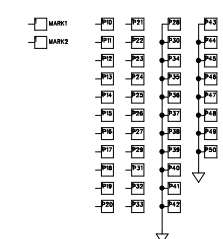


ALL INFORMATION (INCLUDING DRAWINGS AND DIAGRAMS) CONTAINED IN THIS DOCUMENT IS THE PROPERTY OF BEHRINGER ADDRESSEES WHOM THE INFORMATION IS CONFIDED TO SHALL MAINTAIN THE INFORMATION IN CONFIDENCE AND SHALL NOT RELEASE IT TO ANY UNAUTHORIZED THIRD PARTY/SEXCEPT UNDER ATTORNEY CLIENT PRIVILEGE OR UNDER APPROPRIATE CONFIDENTIALITY AGREEMENTS. ANY UNAUTHORIZED DISCLOSURE, REUSE, APPLICATION OR ANY OTHER DEALINGS IN THE INFORMATION SHALL RESULT IN CIVIL AND/OR (WHERE APPLICABLE) CRIMINAL LIABILITIES AND PENAL TIES.

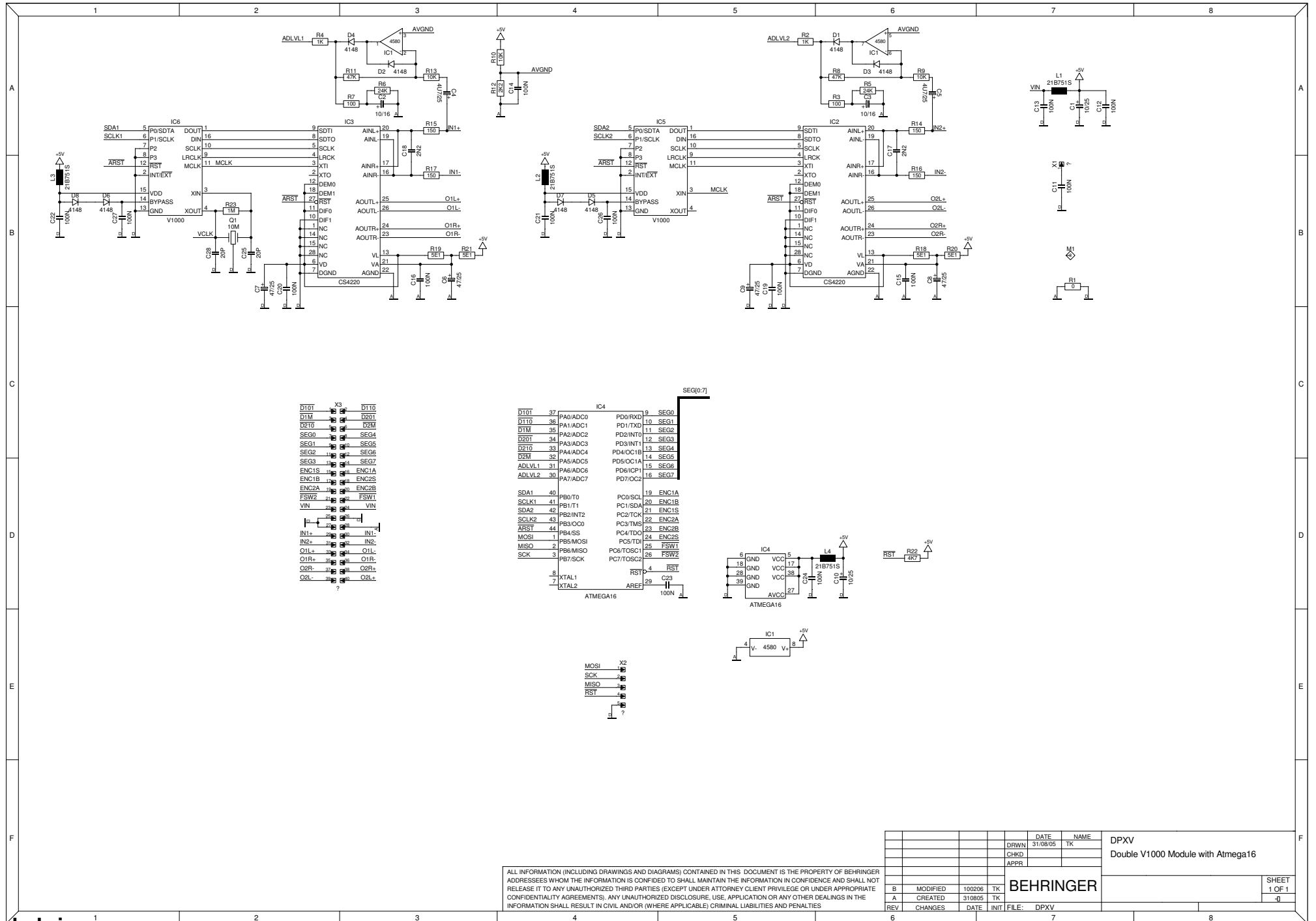


REV	CHANGES	DATE	INT	FILE	AMP
C	MODIFIED	201009	YD		
B	UPDATED BOARDS	191009	QR		
S	MODIFIED	090909	YD		
A	MODIFIED	010708	YD		

DATE	NAME	P0000(HCA2500)
2009-09-09	DENNY	
	APPV	

DRWN	CHWD	DATE	NAME

SHEET	1	OF	1

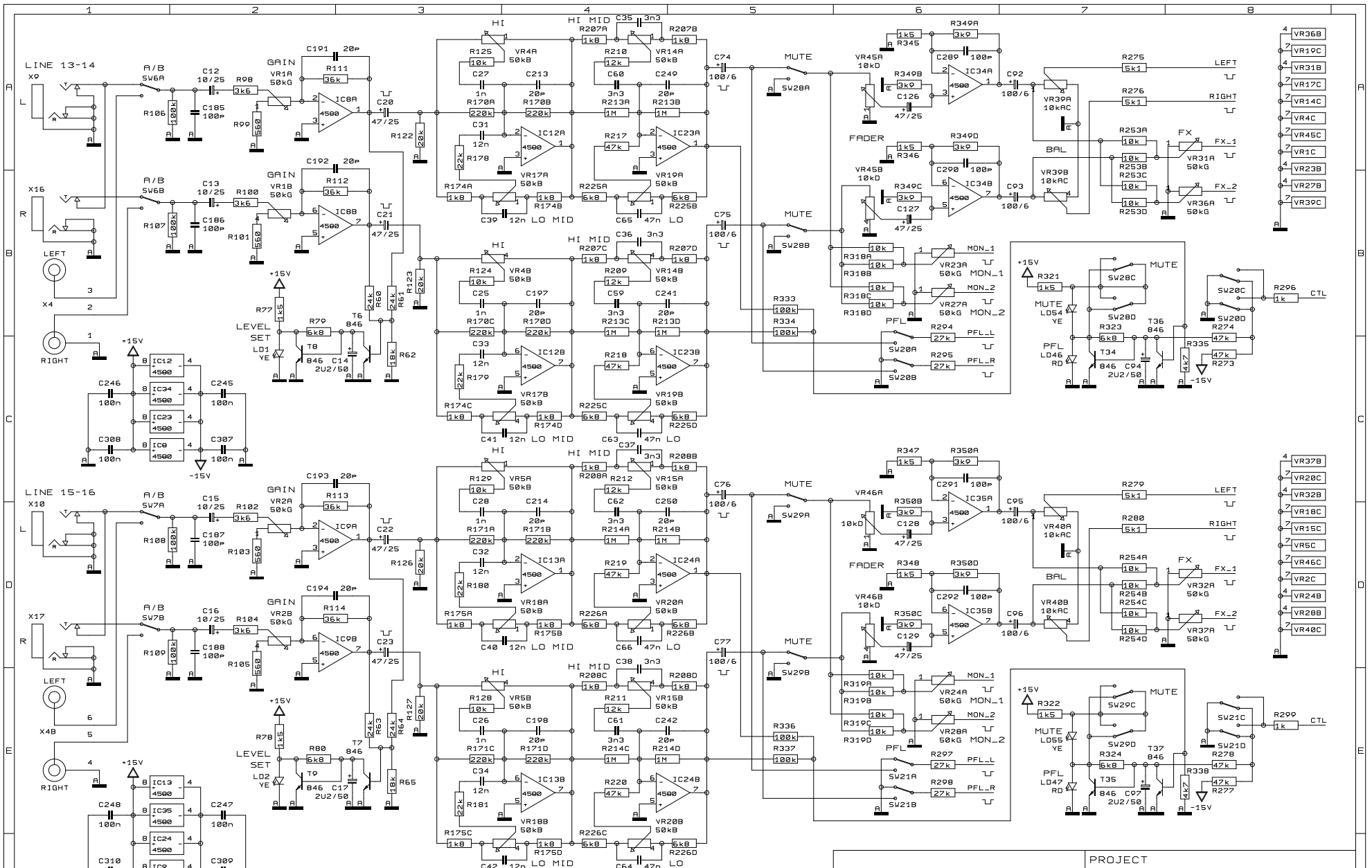


D10T	X9	D110
D1M	D1	D201
D2T0	D2	D2M
SEG0	SEG	SEG4
SEG1	SEG	SEG5
SEG2	SEG	SEG6
SEG3	SEG	SEG7
ENC1S	ENC	ENC1A
ENC1B	ENC	ENC2S
ENC2A	ENC	ENC2B
FSW2	FSW	FSW1
VIN	VIN	VIN
IN1+	IN1	IN1-
IN2+	IN2	IN2-
O1L+	O1L	O1L-
O1R+	O1R	O1R-
O2R+	O2R	O2R-
O2L+	O2L	O2L-

D10T	37	PA0/RXD0	9	SEG0
D110	38	PA1/ADC1	10	SEG1
D1M	39	PA2/ADC2	11	SEG2
D201	39	PA2/ADC2	12	SEG3
D2T0	39	PA3/ADC3	13	SEG4
D2M	39	PA4/ADC4	14	SEG5
ADLV1	31	PA5/ADC5	15	SEG6
ADLV2	30	PA6/ADC6	16	SEG7
SDA1	40	PB0/T0	19	ENC1A
SCLK1	41	PB1/T1	20	ENC1B
SDA2	42	PC0/SDA	21	ENC1S
SCLK2	43	PC2/T0A	22	ENC2A
ARST	44	PB4/SS	23	ENC2B
MOSI	45	PB5/MOSI	24	ENC2S
MISO	46	PB6/MISO	25	FSW1
SCK	47	PC6/TOSC1	26	FSW2
RST	4	PC7/TOSC2	27	RST
XTAL1	8	XTAL1	29	AREF
XTAL2	9	XTAL2	30	AREF

ALL INFORMATION (INCLUDING DRAWINGS AND DIAGRAMS) CONTAINED IN THIS DOCUMENT IS THE PROPERTY OF BEHRINGER ADDRESSEES WHOM THE INFORMATION IS CONFIDED TO SHALL MAINTAIN THE INFORMATION IN CONFIDENCE AND SHALL NOT RELEASE IT TO ANY UNAUTHORIZED THIRD PARTIES (EXCEPT UNDER ATTORNEY CLIENT PRIVILEGE OR UNDER APPROPRIATE CONFIDENTIALITY AGREEMENTS). ANY UNAUTHORIZED DISCLOSURE, USE, APPLICATION OR ANY OTHER DEALINGS IN THE INFORMATION SHALL RESULT IN CIVIL AND/OR (WHERE APPLICABLE) CRIMINAL LIABILITIES AND PENALTIES

DATE	31/08/05	NAME	TK
DRWN		CHKD	
APPR			
BEHRINGER			
REV	B	MODIFIED	100206 TK
CHANGES	A	CREATED	310805 TK
DATE		INIT	FILE: DPXV



REVISIONS F (23/08/05)

DRAWN SA CHECKED DATE 11.11. 9

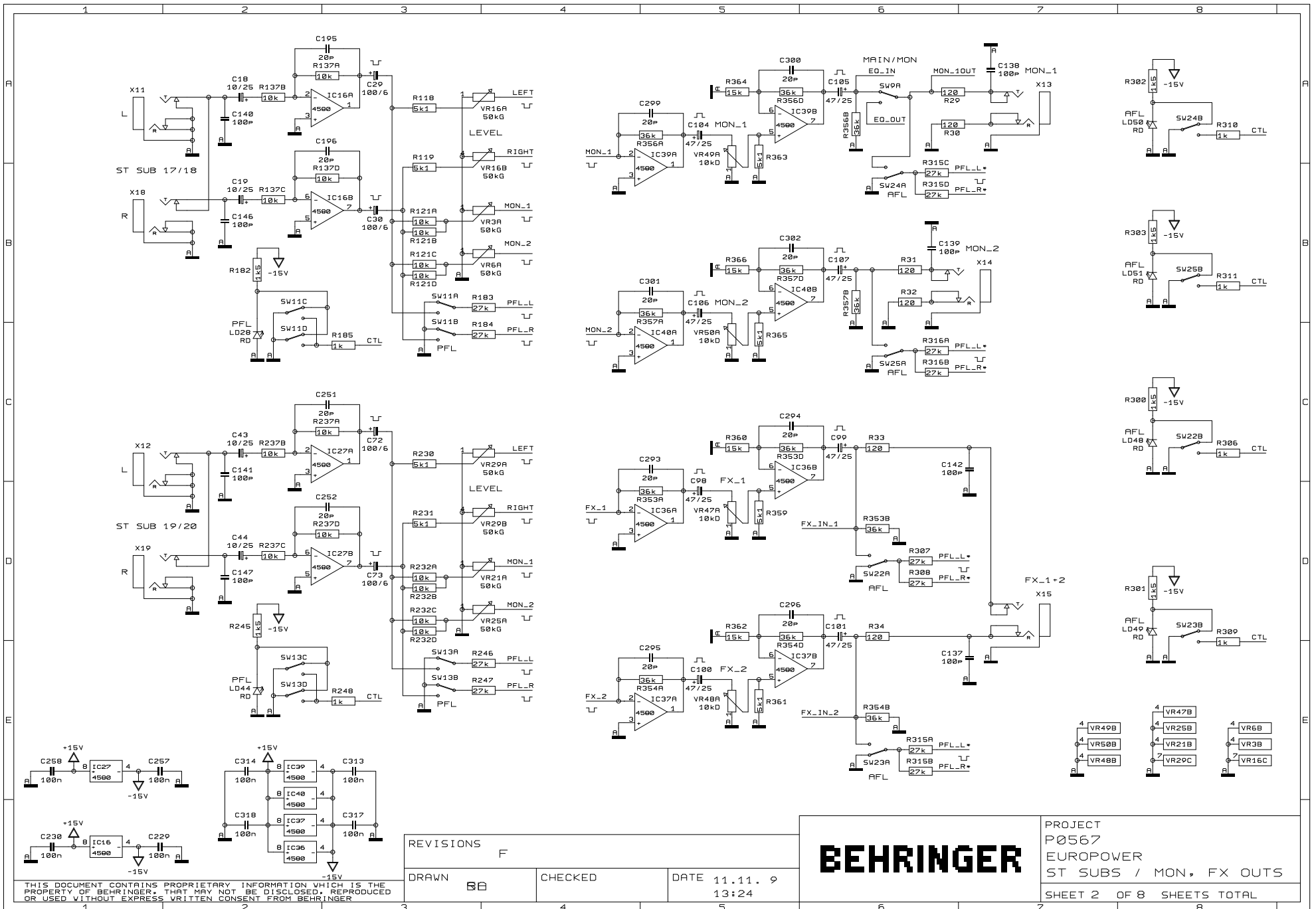
13:24

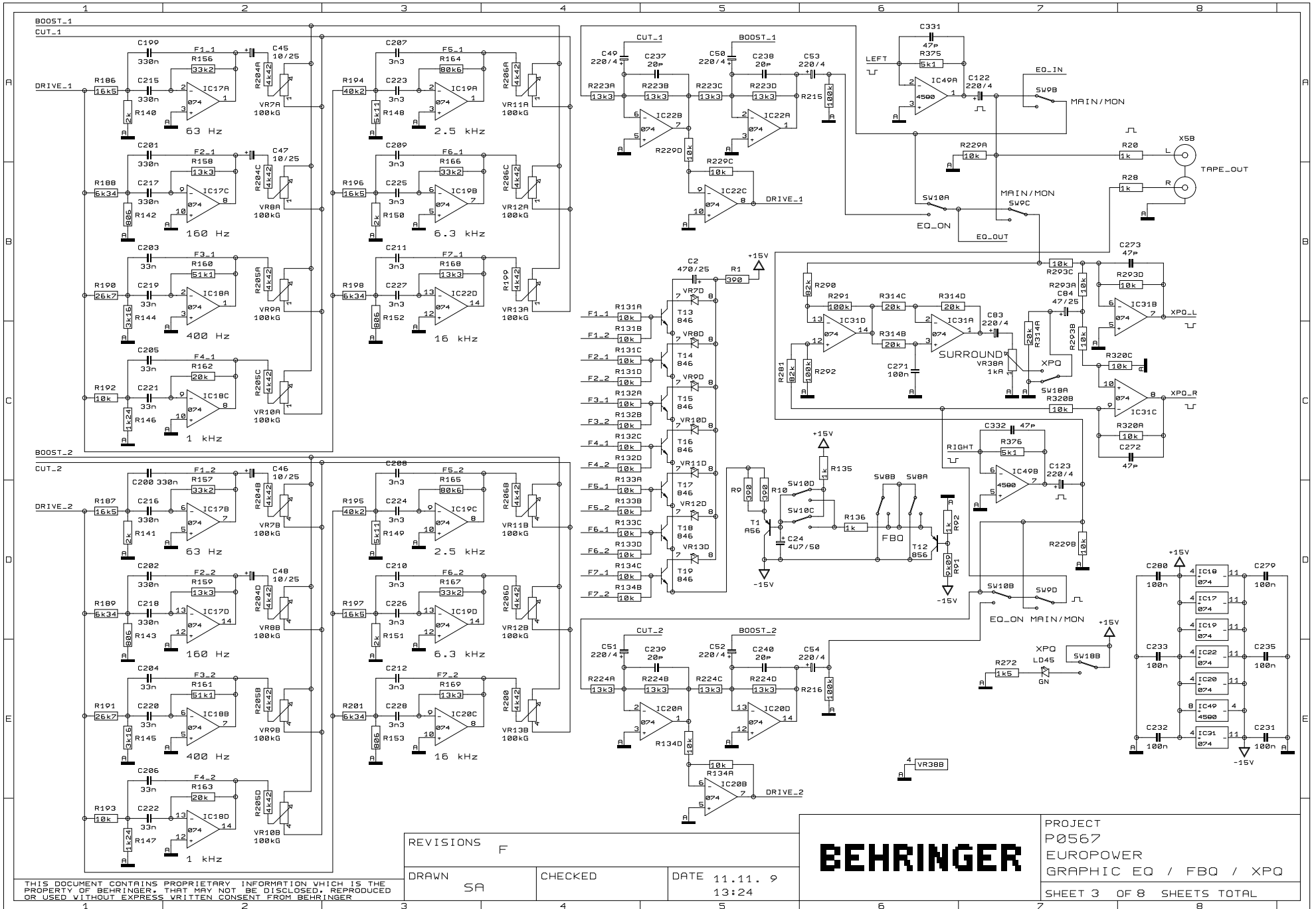
BEHRINGER

PROJECT P0567
EUROPOWER
STEREO CHANNEL 13-16

SHEET 1 OF 8 SHEETS TOTAL

THIS DOCUMENT CONTAINS PROPRIETARY INFORMATION WHICH IS THE PROPERTY OF BEHRINGER. THAT MAY NOT BE DISCLOSED, REPRODUCED OR USED WITHOUT EXPRESS WRITTEN CONSENT FROM BEHRINGER





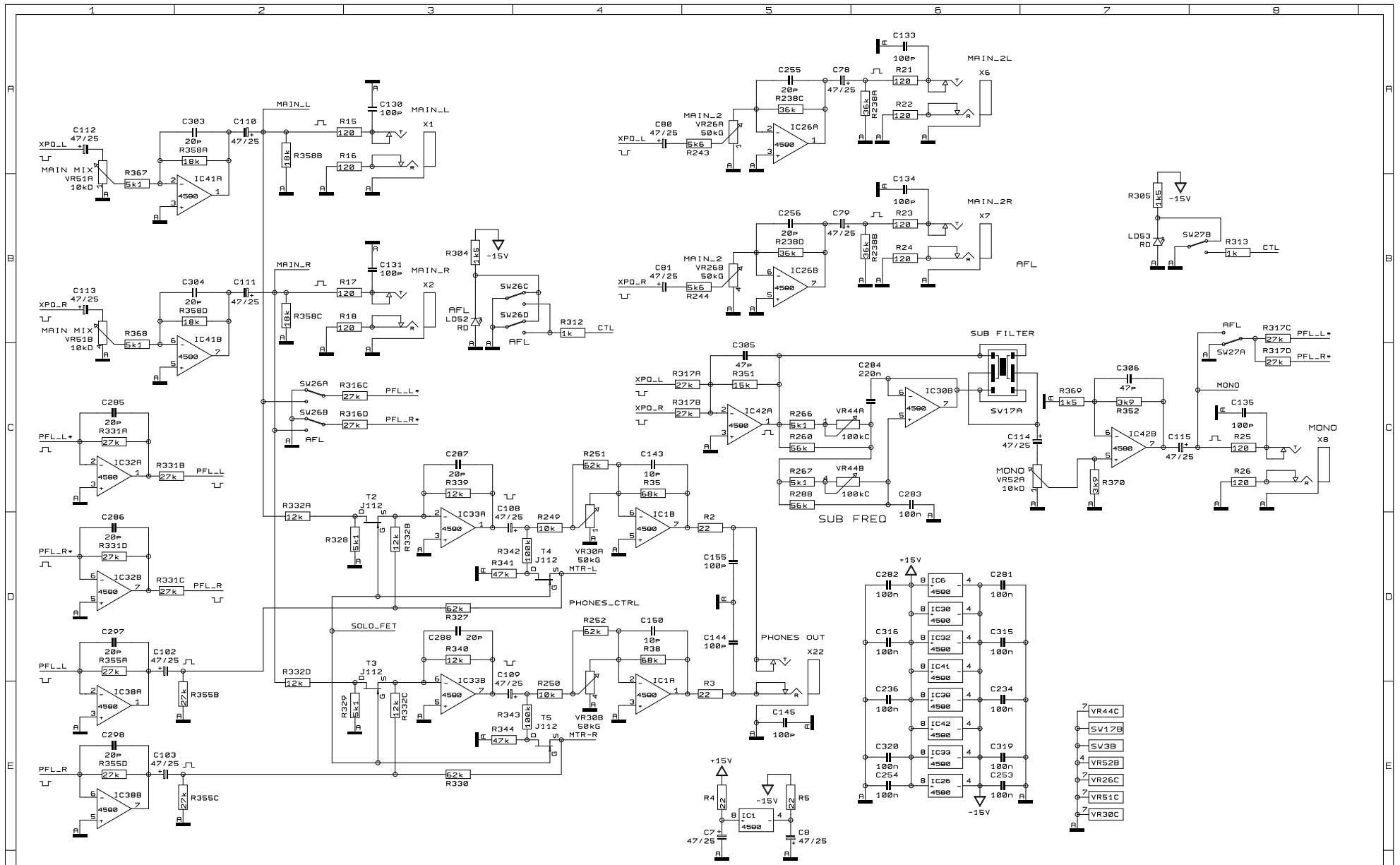
REVISIONS	F
-----------	---

DRAWN	SA	CHECKED	DATE	11.11. 9
				13:24

BEHRINGER

PROJECT
P0567
EUROPOWER
GRAPHIC EQ / FBQ / XPO
SHEET 3 OF 8 SHEETS TOTAL

THIS DOCUMENT CONTAINS PROPRIETARY INFORMATION WHICH IS THE PROPERTY OF BEHRINGER. THAT MAY NOT BE DISCLOSED, REPRODUCED OR USED WITHOUT EXPRESS WRITTEN CONSENT FROM BEHRINGER

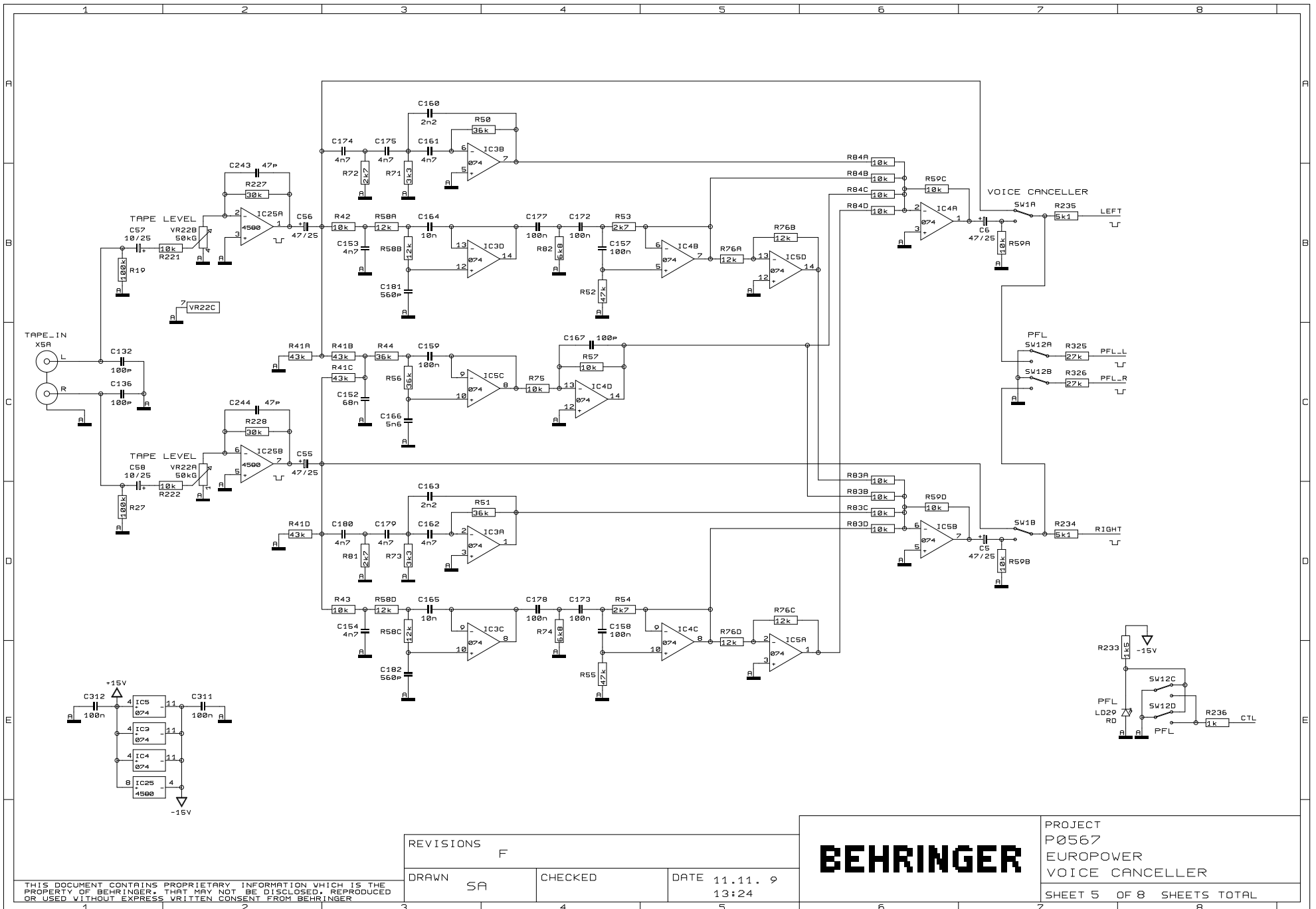


REVISIONS	F
DRAWN	SA
CHECKED	
DATE	11.11. 9 13:24

BEHRINGER

PROJECT	P0567
EUROPOWER	MAIN SECTION
SHEET 4	OF 8 SHEETS TOTAL

THIS DOCUMENT CONTAINS PROPRIETARY INFORMATION WHICH IS THE PROPERTY OF BEHRINGER. THAT MAY NOT BE DISCLOSED, REPRODUCED OR USED WITHOUT EXPRESS WRITTEN CONSENT FROM BEHRINGER



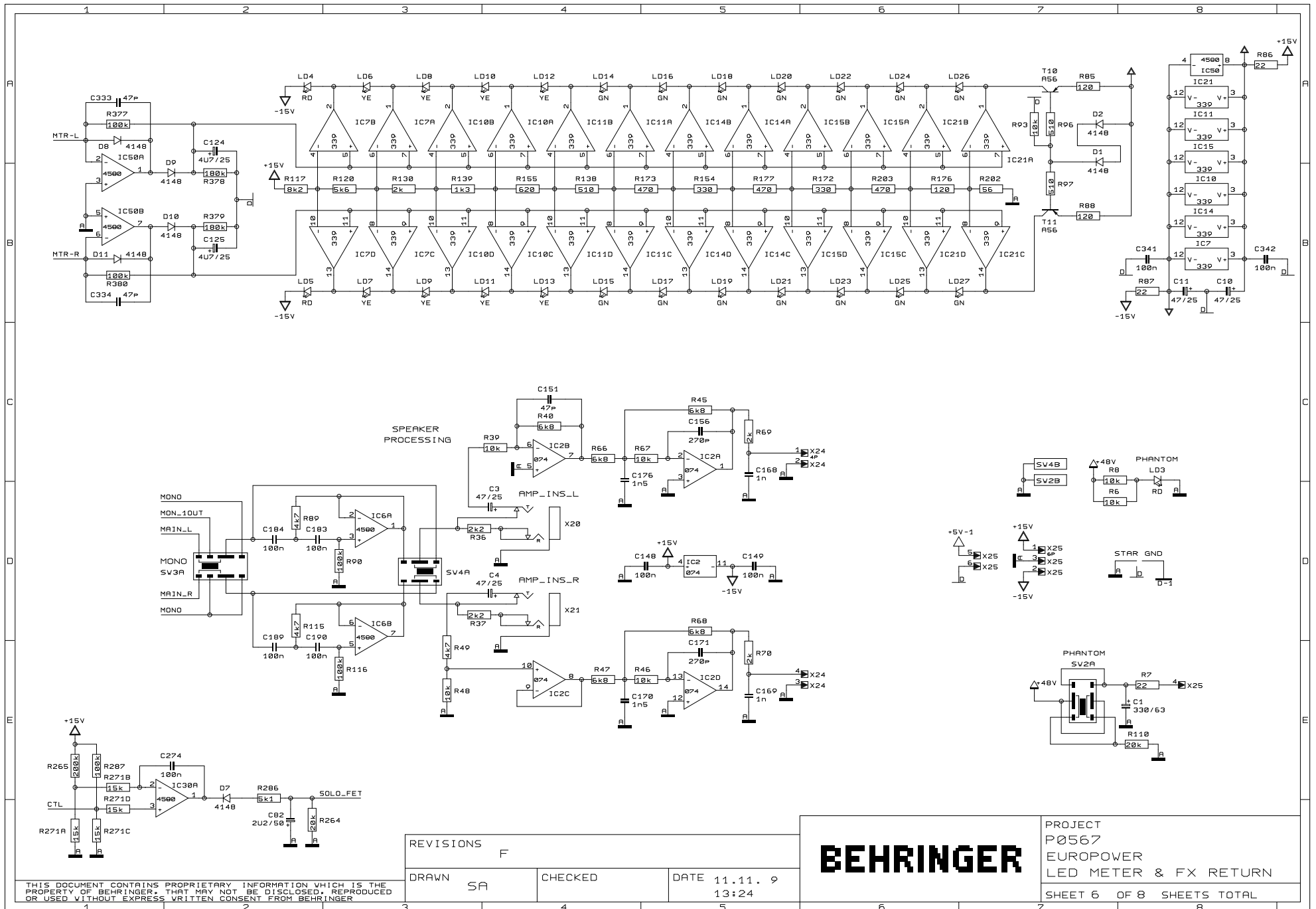
REVISIONS	F
-----------	---

DRAWN	SA	CHECKED	DATE	11.11. 9
				13:24

BEHRINGER

PROJECT
P0567
EUROPOWER
VOICE CANCELLER
SHEET 5 OF 8 SHEETS TOTAL

THIS DOCUMENT CONTAINS PROPRIETARY INFORMATION WHICH IS THE PROPERTY OF BEHRINGER. THAT MAY NOT BE DISCLOSED, REPRODUCED OR USED WITHOUT EXPRESS WRITTEN CONSENT FROM BEHRINGER

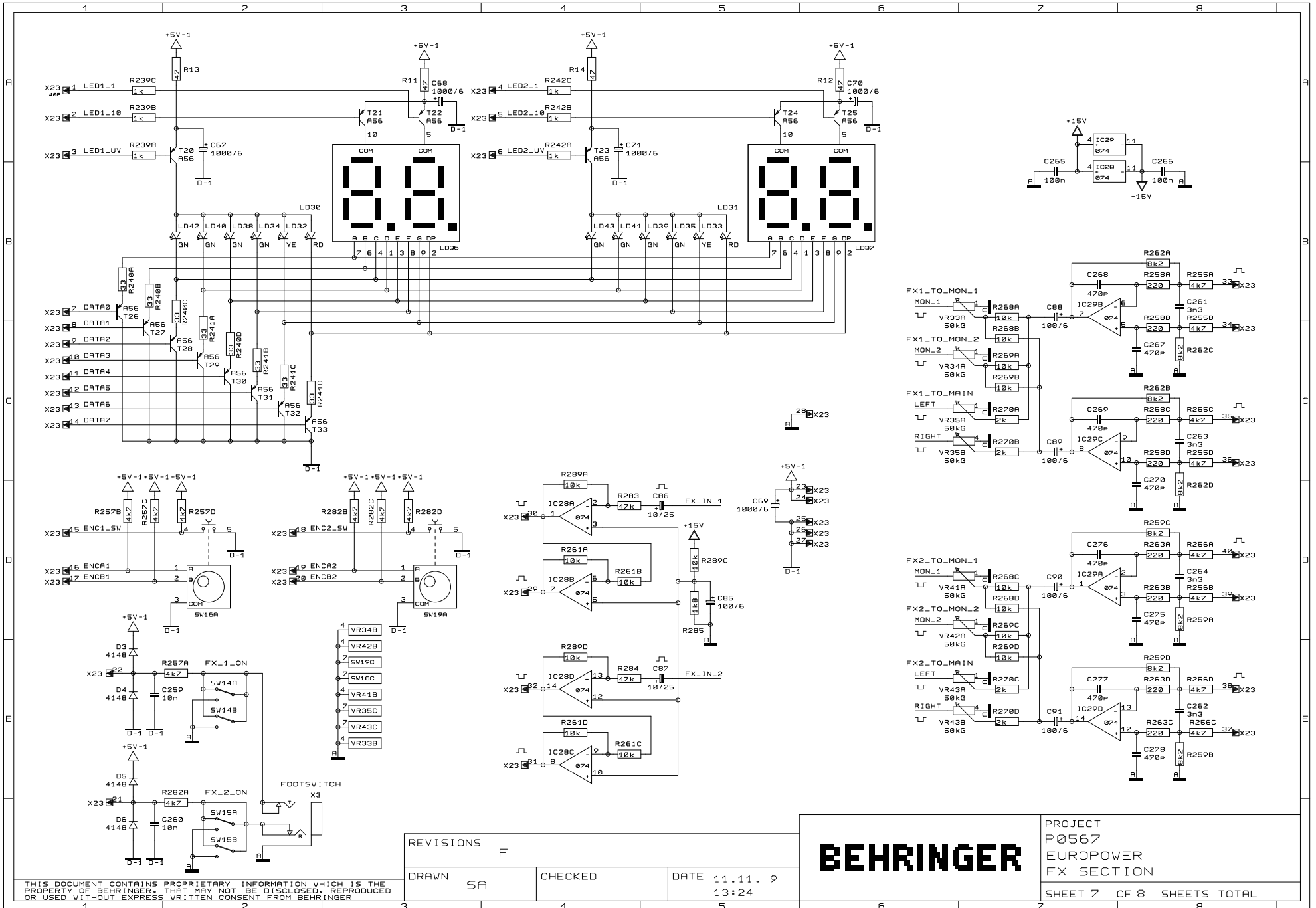


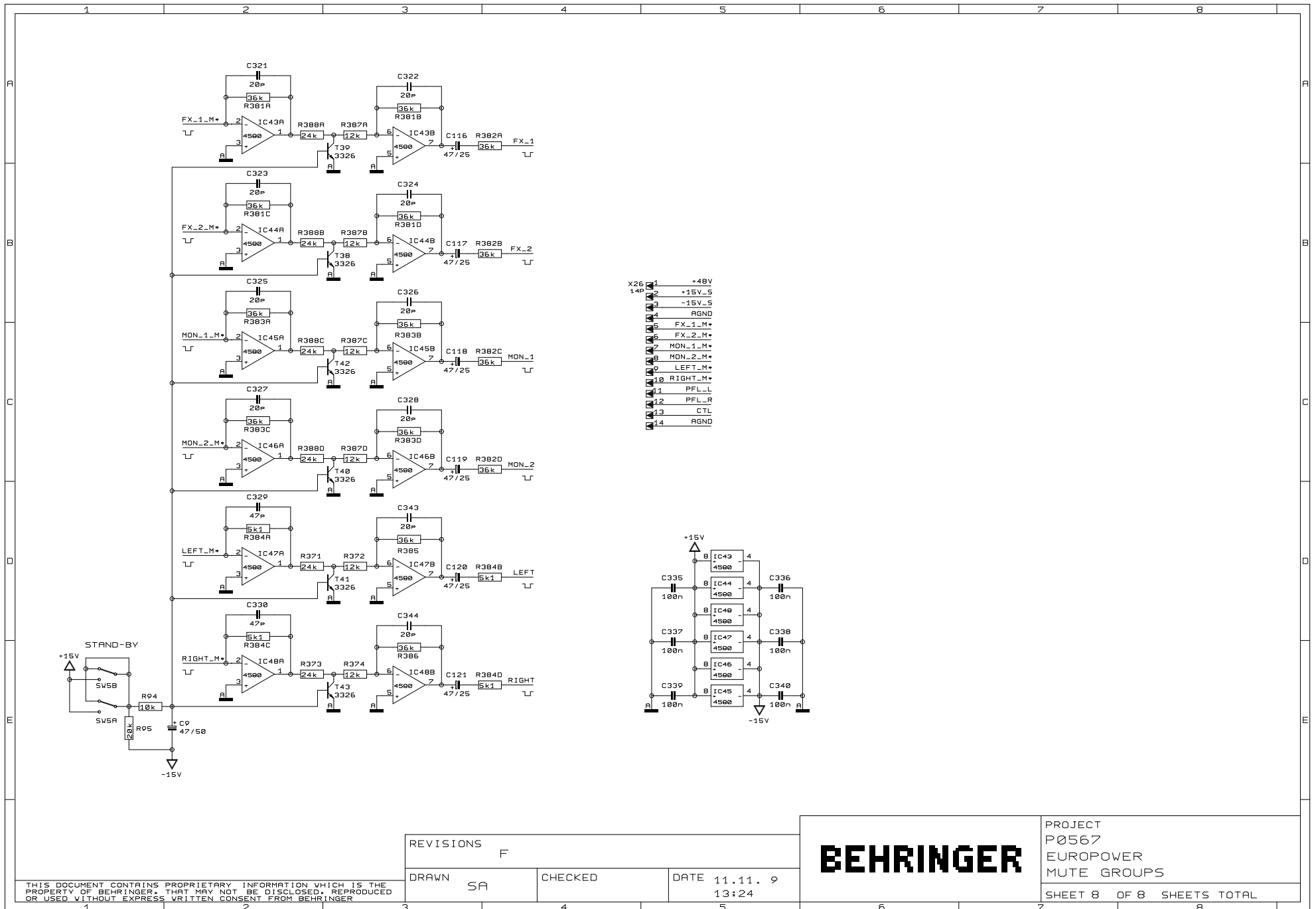
REVISIONS		
F		
DRAWN	CHECKED	DATE
SA		11.11. 9
		13:24

BEHRINGER

PROJECT
P0567
EUROPOWER
LED METER & FX RETURN
SHEET 6 OF 8 SHEETS TOTAL

THIS DOCUMENT CONTAINS PROPRIETARY INFORMATION WHICH IS THE PROPERTY OF BEHRINGER. THAT MAY NOT BE DISCLOSED, REPRODUCED OR USED WITHOUT EXPRESS WRITTEN CONSENT FROM BEHRINGER



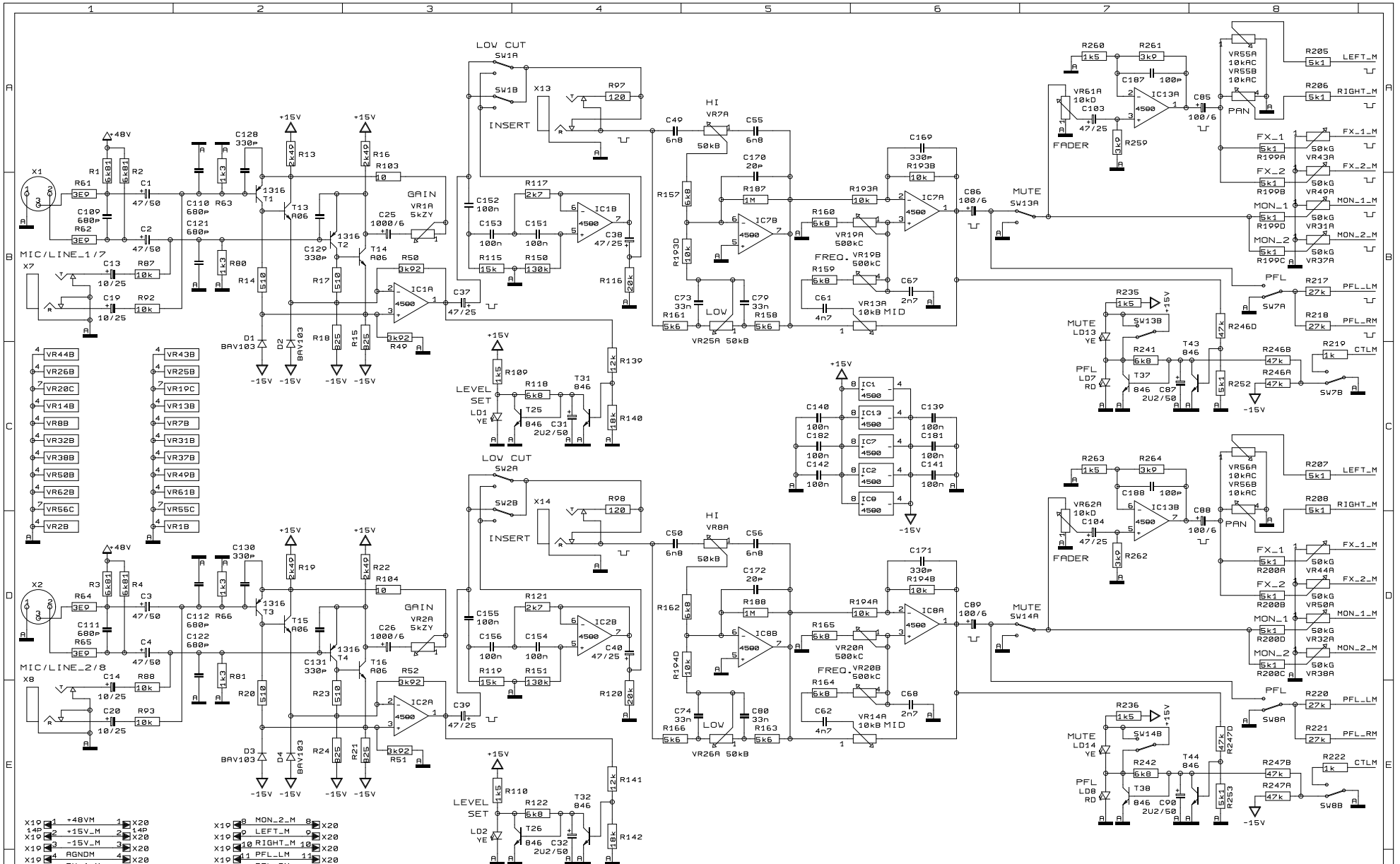


REVISIONS		
F		
DRAWN	CHECKED	DATE
SA		11.11. 9
		13:24

BEHRINGER

PROJECT
P0567
EUROPOWER
MUTE GROUPS
SHEET 8 OF 8 SHEETS TOTAL

THIS DOCUMENT CONTAINS PROPRIETARY INFORMATION WHICH IS THE PROPERTY OF BEHRINGER. THAT MAY NOT BE DISCLOSED, REPRODUCED OR USED WITHOUT EXPRESS WRITTEN CONSENT FROM BEHRINGER



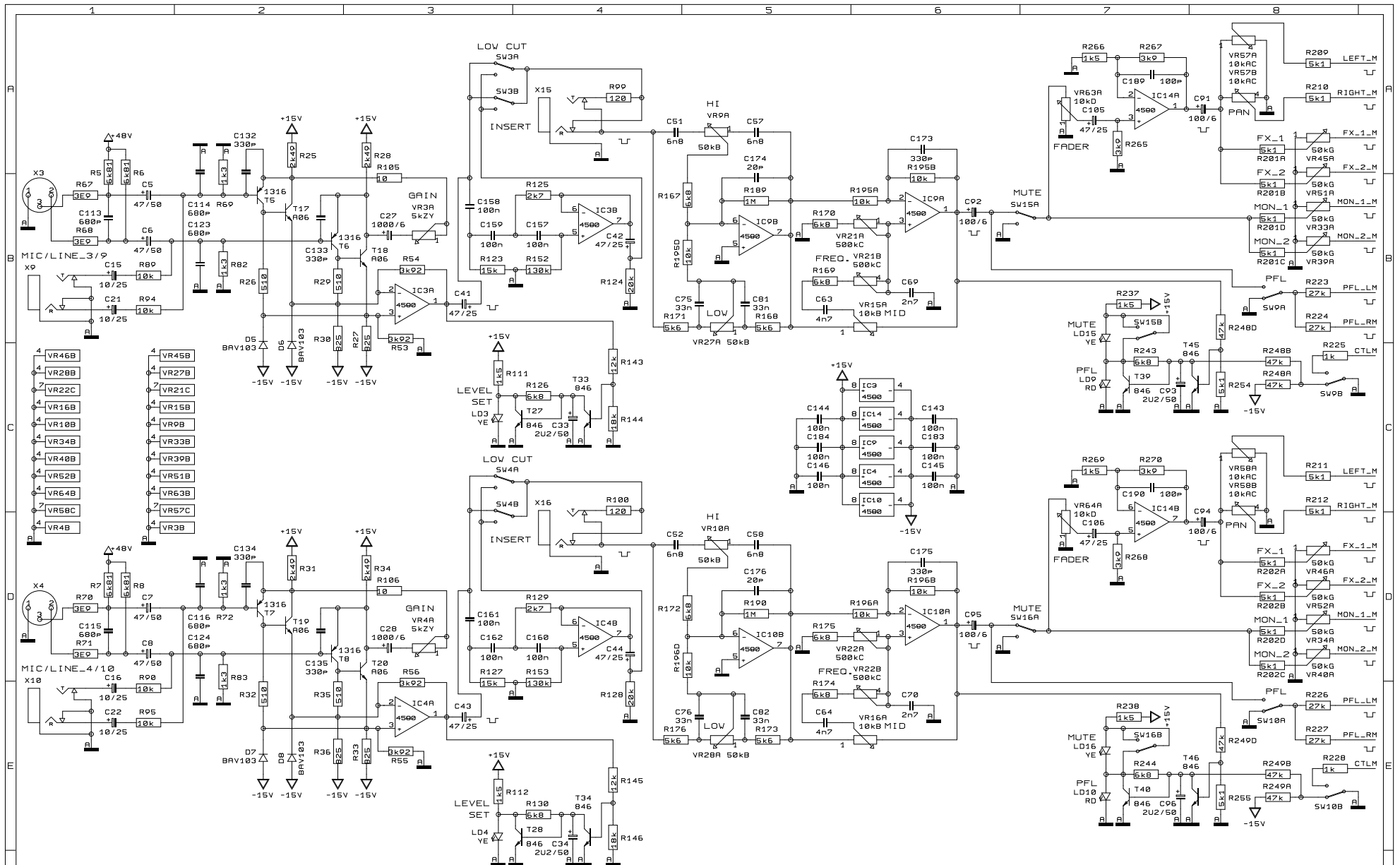
- X19 1 +48VM 1 X20
- X14 2 +15V_M 2 X20
- X10 3 -15V_M 3 X20
- X10 4 RGNDM 4 X20
- X10 5 FX_1_M 5 X20
- X10 6 FX_2_M 6 X20
- X10 7 MON_1_M 7 X20
- X19 8
- X19 9 MON_2_M 8 X20
- X19 10 LEFT_M 9 X20
- X10 11 RIGHT_M 10 X20
- X10 12 PFL_LM 11 X20
- X10 13 PFL_RM 12 X20
- X10 14 CTLM 13 X20
- X10 15 RGNDM 14 X20
- X19 16

REVISIONS C (07/09/04)

DRAWN SA CHECKED DATE 11.11. 9 14:03

BEHRINGER

PROJECT P0567-02
 EUROPOWER MONO CHANNEL 1/7-2/8
 SHEET 1 OF 3 SHEETS TOTAL



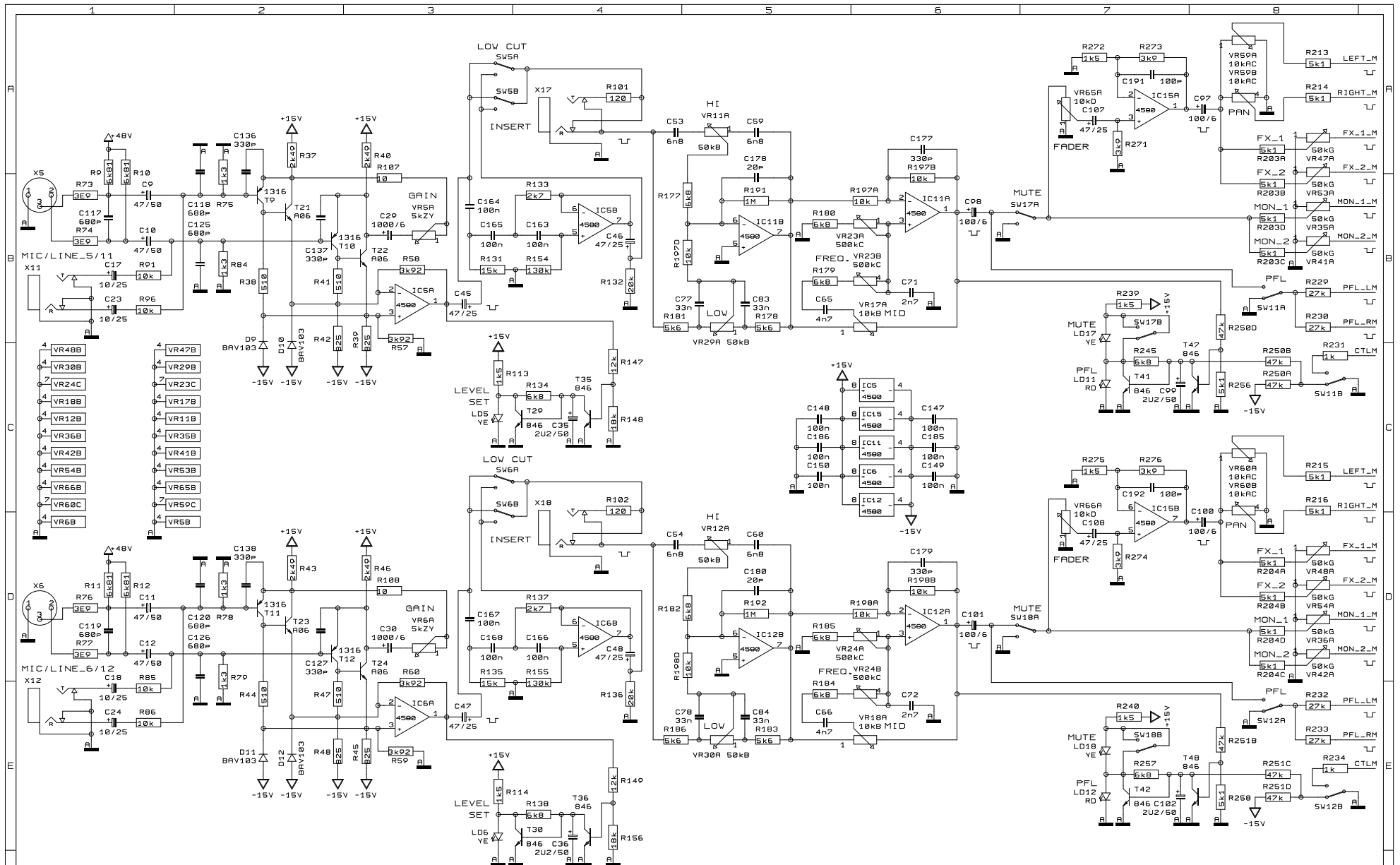
REVISIONS		
C		
DRAWN	CHECKED	DATE
SA		11.11. 9
		14:03

BEHRINGER

PROJECT
P0567-02
EUROPOWER
MONO CHANNEL 3/9-4/10

SHEET 2 OF 3 SHEETS TOTAL

THIS DOCUMENT CONTAINS PROPRIETARY INFORMATION WHICH IS THE PROPERTY OF BEHRINGER. THAT MAY NOT BE DISCLOSED, REPRODUCED OR USED WITHOUT EXPRESS WRITTEN CONSENT FROM BEHRINGER



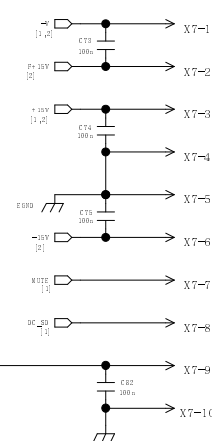
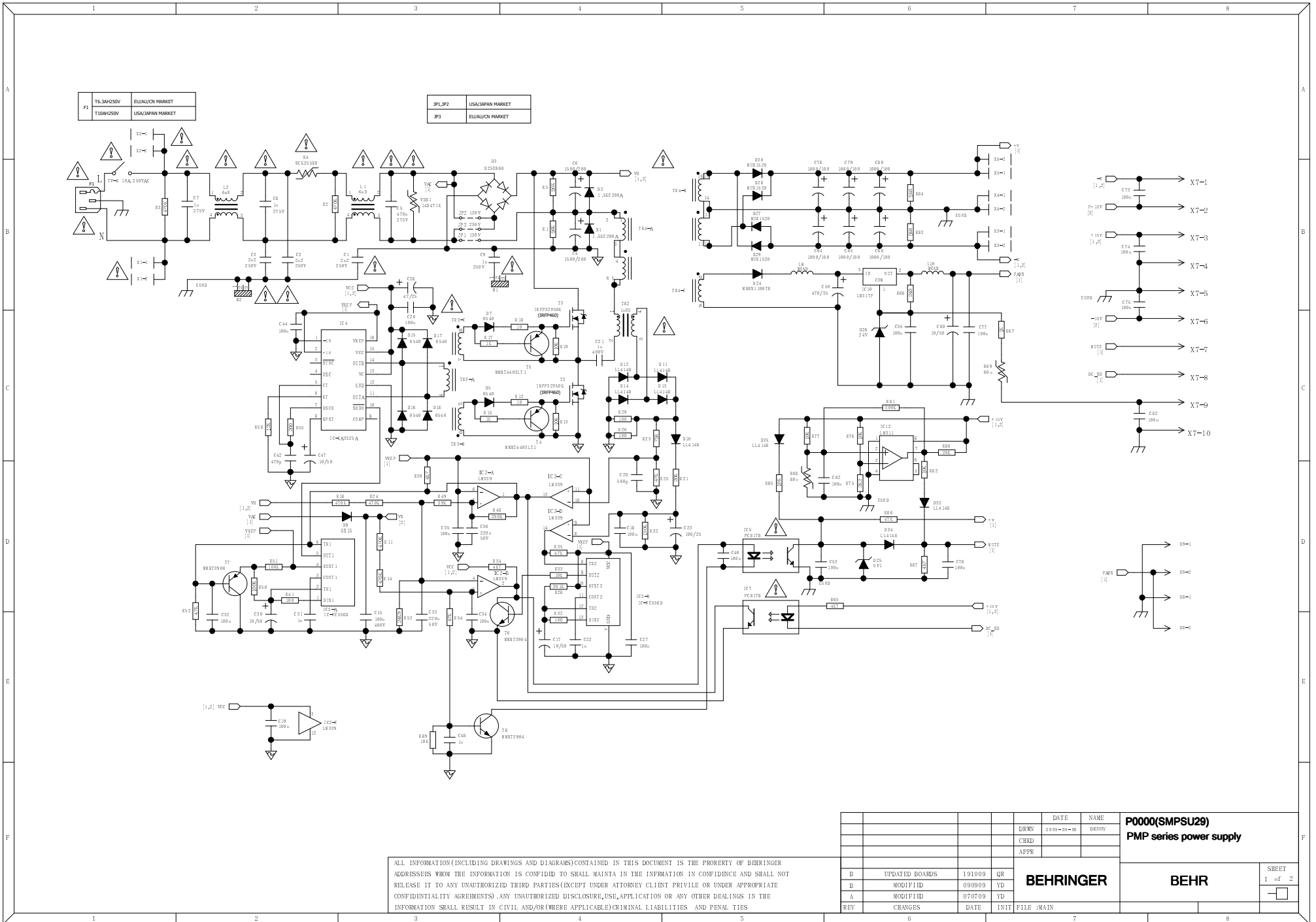
REVISIONS		
C		
DRAWN	CHECKED	DATE
SA		11.11. 9
		14:03

BEHRINGER

PROJECT
P0567-02
EUROPOWER
MONO CHANNEL 5/11-6/12

THIS DOCUMENT CONTAINS PROPRIETARY INFORMATION WHICH IS THE PROPERTY OF BEHRINGER. THAT MAY NOT BE DISCLOSED, REPRODUCED OR USED WITHOUT EXPRESS WRITTEN CONSENT FROM BEHRINGER

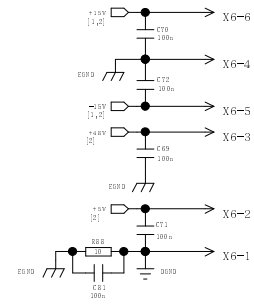
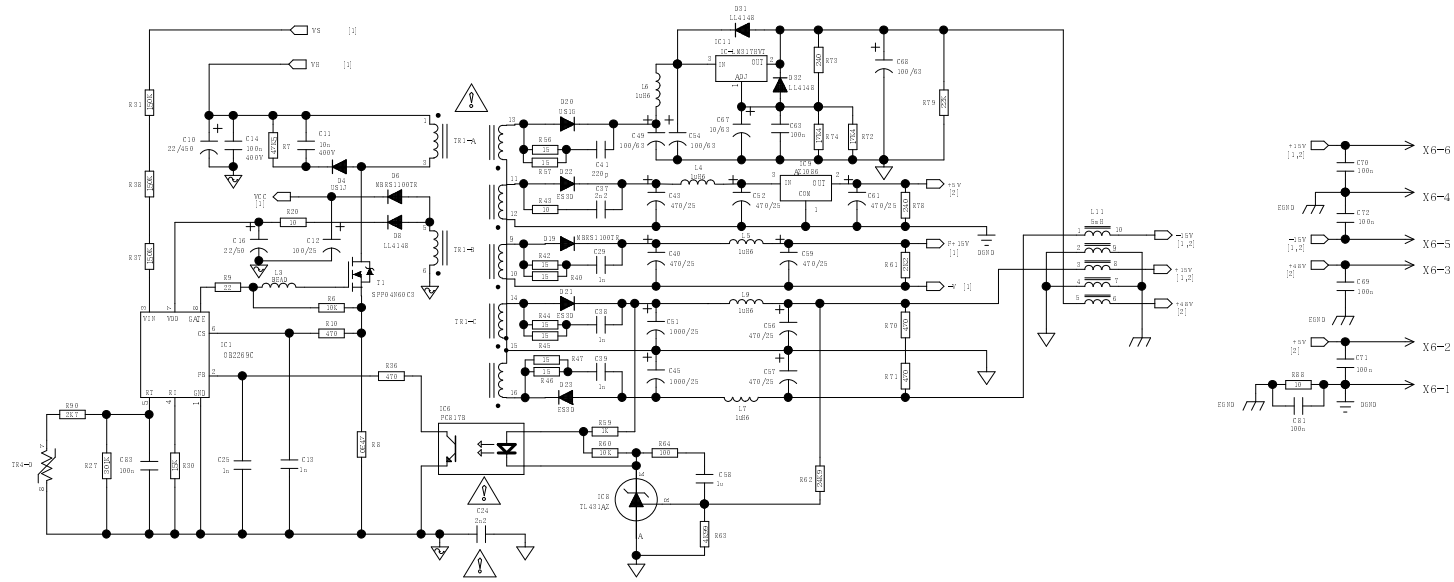
SHEET 3 OF 3 SHEETS TOTAL



ALL INFORMATION (INCLUDING DRAWINGS AND DIAGRAMS) CONTAINED IN THIS DOCUMENT IS THE PROPERTY OF BEHRINGER ADDRESSEES WHOM THE INFORMATION IS CONFIDED TO SHALL MAINTAIN THE INFORMATION IN CONFIDENCE AND SHALL NOT RELEASE IT TO ANY UNAUTHORIZED THIRD PARTIES (EXCEPT UNDER ATTORNEY CLIENT PRIVILEGE OR UNDER APPROPRIATE CONFIDENTIALITY AGREEMENTS). ANY UNAUTHORIZED DISCLOSURE, USE, APPLICATION OR ANY OTHER DEALINGS IN THE INFORMATION SHALL RESULT IN CIVIL AND/OR (WHERE APPLICABLE) CRIMINAL LIABILITIES AND PENAL TIES

REV	CHANGES	DATE	INIT	FILE	NAME	DATE	NAME
B	UPDATED BOARDS	191009	QR				
B	MODIFIED	090909	YD				
A	MODIFIED	070709	YD				
REV	CHANGES	DATE	INIT	FILE	:MAIN		

P0000(SMPSU29) PMP series power supply		SHEET 1 of 2
BEHRINGER	BEHR	



- SC1
- SC2
- SC3
- SC4
- SC5
- SC6
- SC7
- SC8
- SC9
- SC10
- SC11
- SC12
- SC13
- SC14
- SC15
- SC16
- SC17
- SC18
- SC19
- SC20
- SC21
- SC22
- SC23
- SC24
- SC25
- SC26
- SC27
- SC28
- SC29
- SC30
- SC31
- SC32
- SC33
- SC34
- SC35
- SC36
- SC37
- SC38
- SC39
- SC40
- SC41
- SC42
- SC43
- SC44
- SC45
- SC46
- SC47
- SC48
- SC49
- SC50
- SC51
- SC52
- SC53
- SC54
- SC55
- SC56
- SC57
- SC58
- SC59
- SC60
- SC61
- SC62
- SC63
- SC64
- SC65
- SC66
- SC67
- SC68
- SC69
- SC70
- SC71
- SC72
- SC73
- SC74
- SC75
- SC76
- SC77
- SC78
- SC79
- SC80
- SC81
- SC82
- SC83
- SC84
- SC85
- SC86
- SC87
- SC88
- SC89
- SC90
- SC91
- SC92
- SC93
- SC94
- SC95
- SC96
- SC97
- SC98
- SC99
- SC100

ALL INFORMATION (INCLUDING DRAWINGS AND DIAGRAMS) CONTAINED IN THIS DOCUMENT IS THE PROPERTY OF BEHRINGER ADDRESSEES WHOM THE INFORMATION IS CONFIDED TO SHALL MAINTAIN THE INFORMATION IN CONFIDENCE AND SHALL NOT RELEASE IT TO ANY UNAUTHORIZED THIRD PARTIES (EXCEPT UNDER ATTORNEY CLIENT PRIVILEGE OR UNDER APPROPRIATE CONFIDENTIALITY AGREEMENTS). ANY UNAUTHORIZED DISCLOSURE, USE, APPLICATION OR ANY OTHER DEALINGS IN THE INFORMATION SHALL RESULT IN CIVIL AND/OR (WHERE APPLICABLE) CRIMINAL LIABILITIES AND PENAL TIES

				DATE	NAME	P0000(SMPSU29) PMP series power supply
			DRWN	2009-10-19	BEHR	
			CHKD			
				APPR		
B	UPDATED BOARDS	191009	QR	BEHRINGER		BEHR
B	MODIFIED	090909	YD			
A	MODIFIED	070709	YD			
REV	CHANGES	DATE	INIT	FILE :AUX		

SHEET
2 of 2