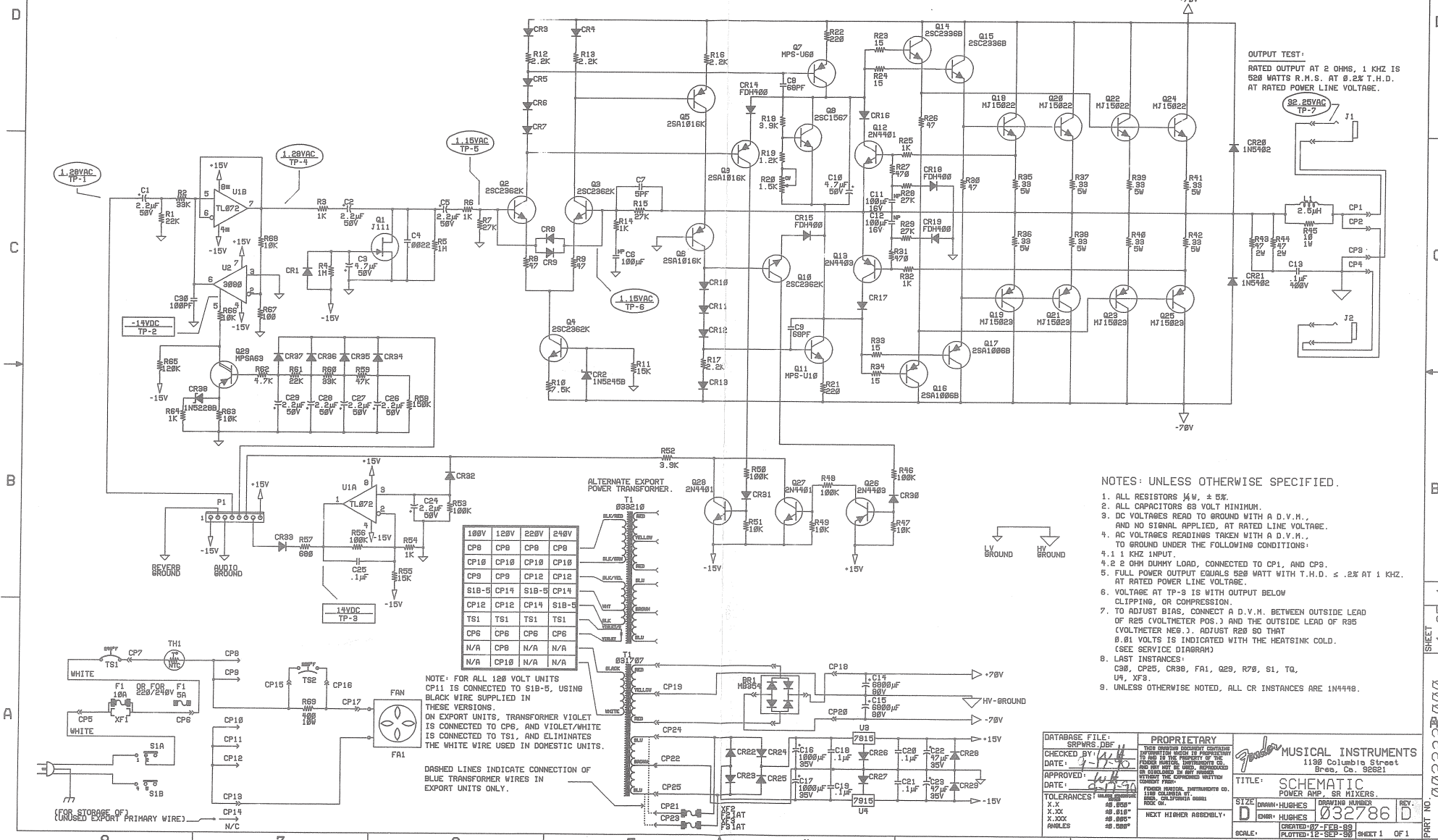


REVISIONS				
ZONE	REV.	DESCRIPTION	DATE	APPROVED
A		RELEASED PR#12	2-JUNE-89	<i>[Signature]</i>
B		EC#494	5-JULY-89	<i>[Signature]</i>
C		EC#638	11-NOV-89	<i>[Signature]</i>
D		ECO# L02882	18-SEPT-90	<i>[Signature]</i>



OUTPUT TEST:
 RATED OUTPUT AT 2 OHMS, 1 KHZ IS
 528 WATTS R.M.S. AT 0.2% T.H.D.
 AT RATED POWER LINE VOLTAGE.

NOTES: UNLESS OTHERWISE SPECIFIED.

1. ALL RESISTORS 1/4W, ± 5%
2. ALL CAPACITORS 63V MINIMUM.
3. DC VOLTAGES READ TO GROUND WITH A D.V.M., AND NO SIGNAL APPLIED, AT RATED LINE VOLTAGE.
4. AC VOLTAGE READINGS TAKEN WITH A D.V.M., TO GROUND UNDER THE FOLLOWING CONDITIONS:
 4.1 1 KHZ INPUT.
 4.2 2 OHM DUMMY LOAD, CONNECTED TO CP1, AND CP9.
5. FULL POWER OUTPUT EQUALS 528 WATT WITH T.H.D. ≤ 2% AT 1 KHZ, AT RATED POWER LINE VOLTAGE.
6. VOLTAGE AT TP-3 IS WITH OUTPUT BELOW CLIPPING, OR COMPRESSION.
7. TO ADJUST BIAS, CONNECT A D.V.M. BETWEEN OUTSIDE LEAD OF R25 (VOLTMEETER POS.) AND THE OUTSIDE LEAD OF R35 (VOLTMEETER NEG.). ADJUST R20 SO THAT 0.01 VOLTS IS INDICATED WITH THE HEATSINK COLD. (SEE SERVICE DIAGRAM)
8. LAST INSTANCES:
 C35, CP25, CR30, FA1, Q29, R70, S1, TQ, U4, XF9.
9. UNLESS OTHERWISE NOTED, ALL CR INSTANCES ARE 1N4448.

100V	120V	220V	240V
CP8	CP8	CP8	CP8
CP10	CP10	CP10	CP10
CP9	CP9	CP12	CP12
S1B-5	CP14	S1B-5	CP14
CP12	CP12	CP14	S1B-5
TS1	TS1	TS1	TS1
CP6	CP6	CP6	CP6
N/A	CP8	N/A	N/A
N/A	CP10	N/A	N/A

NOTE: FOR ALL 120 VOLT UNITS CP11 IS CONNECTED TO S1B-5, USING BLACK WIRE SUPPLIED IN THESE VERSIONS.
 ON EXPORT UNITS, TRANSFORMER VIOLET IS CONNECTED TO CP6, AND VIOLET/WHITE IS CONNECTED TO TS1, AND ELIMINATES THE WHITE WIRE USED IN DOMESTIC UNITS.

DASHED LINES INDICATE CONNECTION OF BLUE TRANSFORMER WIRES IN EXPORT UNITS ONLY.

DATABASE FILE: SRPWRS.DBF CHECKED BY: <i>[Signature]</i> DATE: 7-1-89 APPROVED: <i>[Signature]</i> DATE: 7-1-89 TOLERANCES: X.X X.XX X.XXX ANGLES	PROPRIETARY THIS DESIGN IS THE PROPERTY OF GARDNER MUSICAL INSTRUMENTS. IT IS HEREBY GRANTED TO THE PURCHASER OF THIS PRODUCT TO USE THIS DESIGN FOR THE MANUFACTURE OF THIS PRODUCT THROUGH THE EXPRESSED WRITING OF GARDNER MUSICAL INSTRUMENTS CO. GARDNER MUSICAL INSTRUMENTS CO. 1190 COLUMBIA STREET BRAS, CA. 92621 NEXT HIGHER ASSEMBLY:	TITLE: SCHEMATIC POWER AMP. SR MIXERS. DRAWING NUMBER: 032786 SCALE: PLOTTED 12-SEP-90 SHEET 1 OF 1
---	---	--