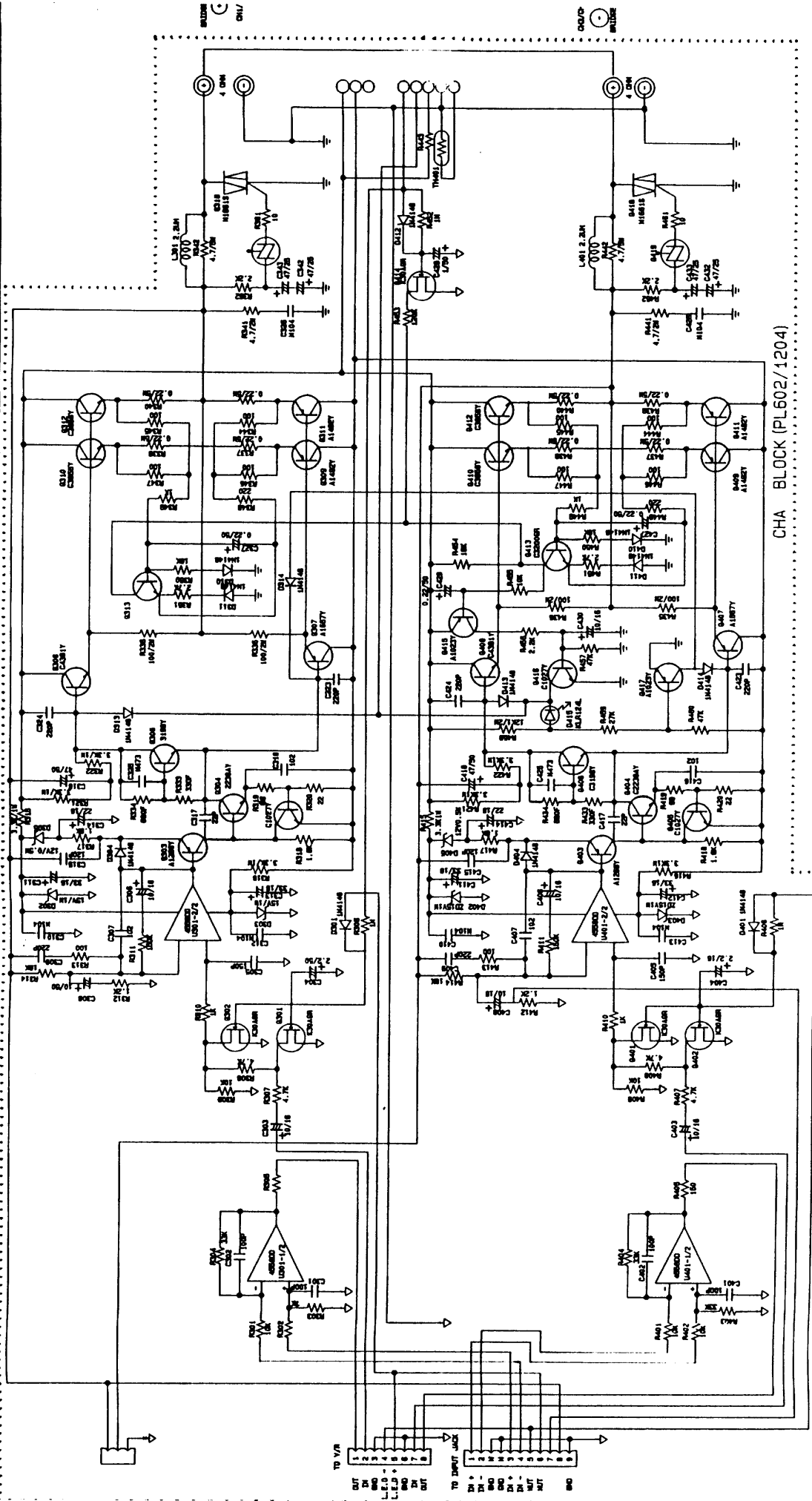




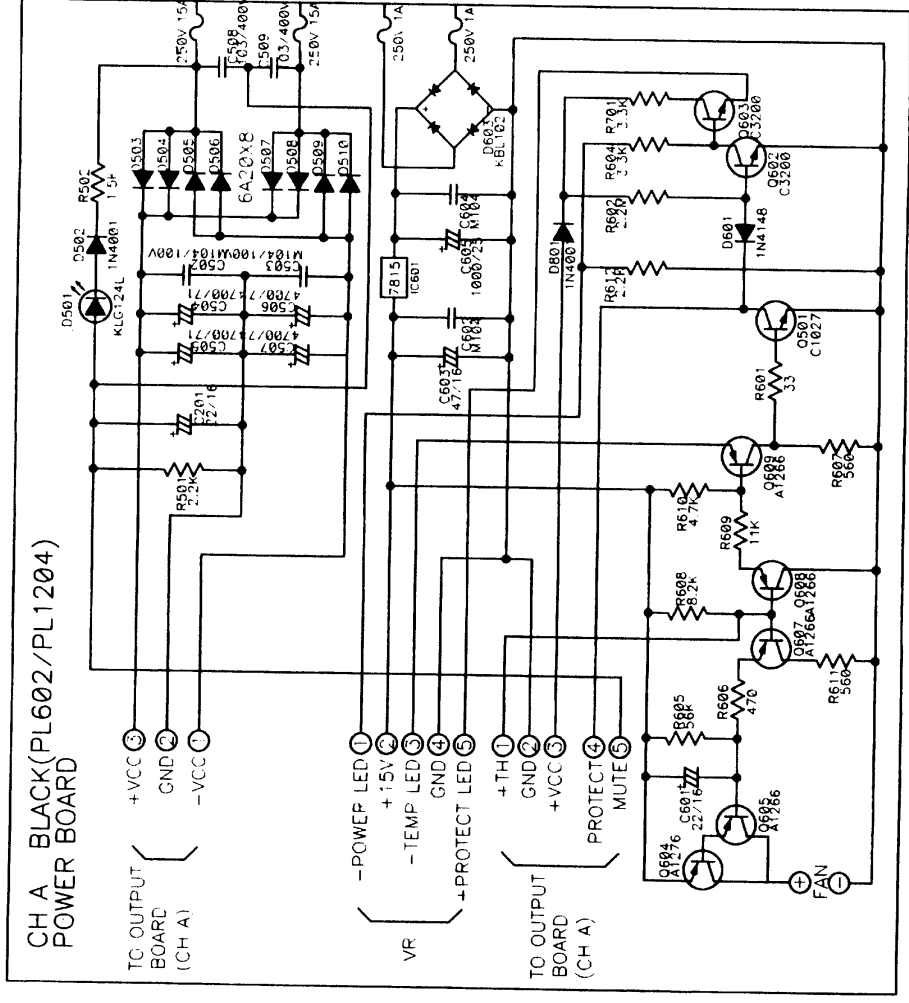
# Schematic Diagram (PL602/PL1204)



CH B BLOCK PL-1204 ONLY

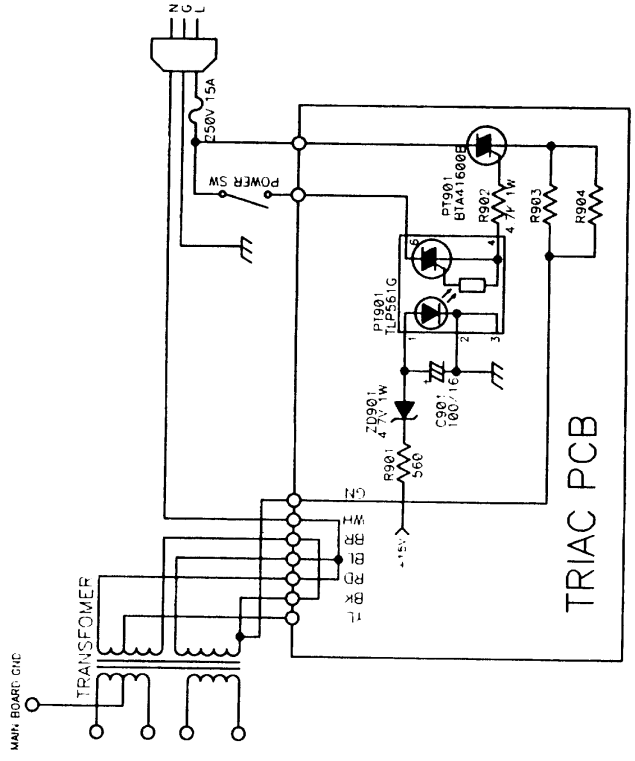
SAME AS ABOVE BLOCK

# Schematic Diagram (PL602/PL1204)



CH A BLACK (PL602/PL1204) POWER BOARD

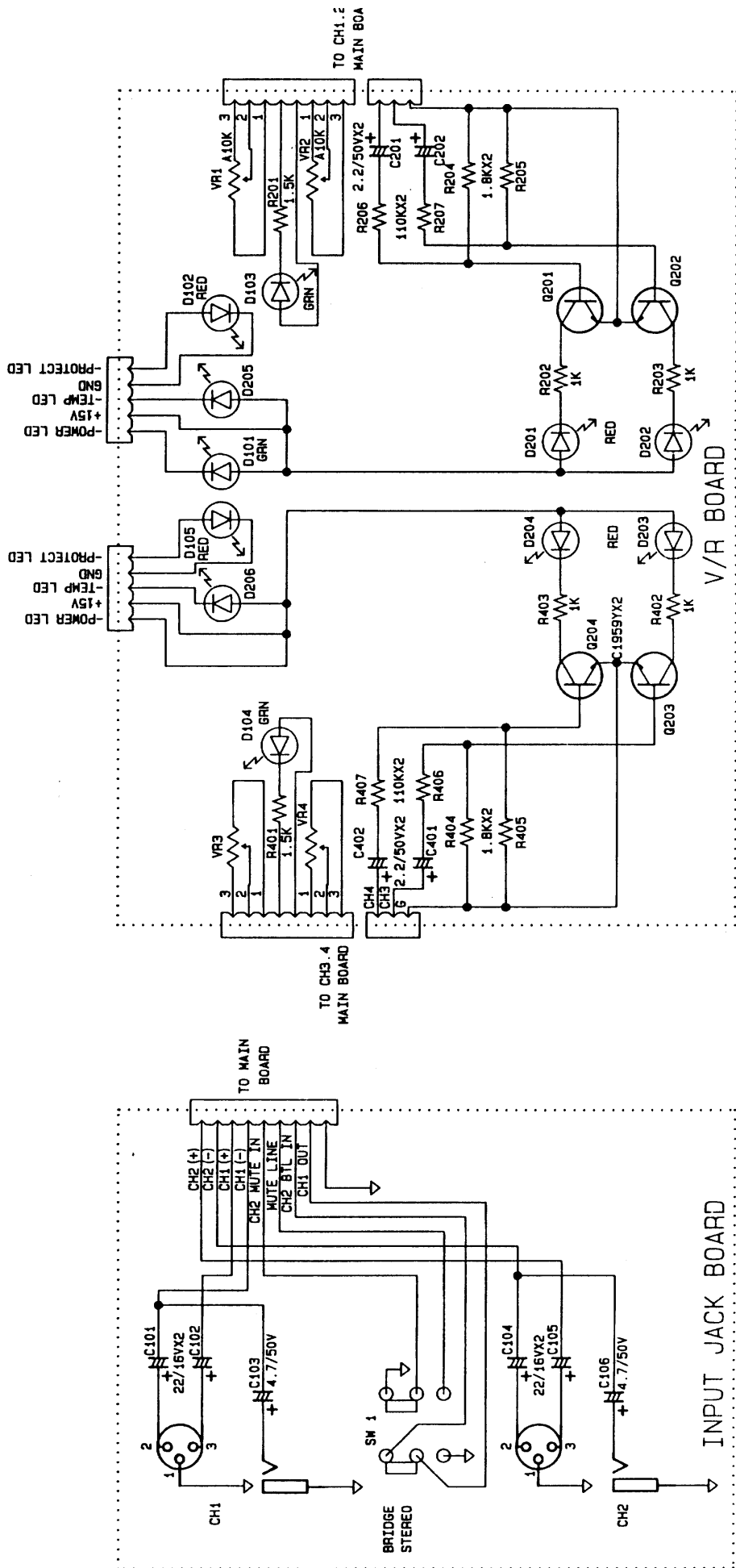
SAME AS ABOVE BLOCK



NOTES : UNLESS OTHERWISE SPECIFIED

1. ALL RESISTORS VALUE ARE IN OHMS 1/4W J
2. ALL CAPACITORS VALUE ARE IN UF
3. R903,904 : 120V → 400 OHM 10W J  
: 230V → 820 OHM 10W J

# Schematic Diagram (PL602/PL1204)

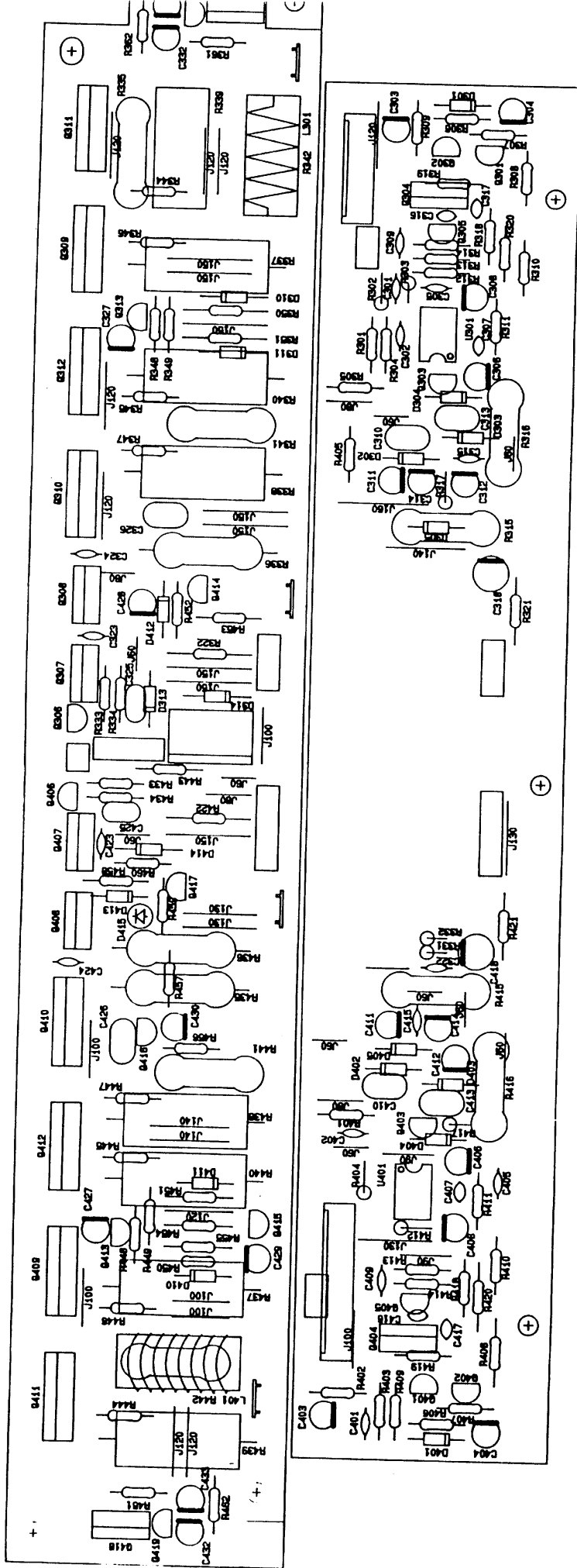


NOTES : UNLESS OTHERWISE SPECIFIED

1. ALL RESISTOR 1/4 ±5%

# Printed Circuit Board View

## (PL602/PL1204)



Printed Circuit Board View (PL602/PL1204)

