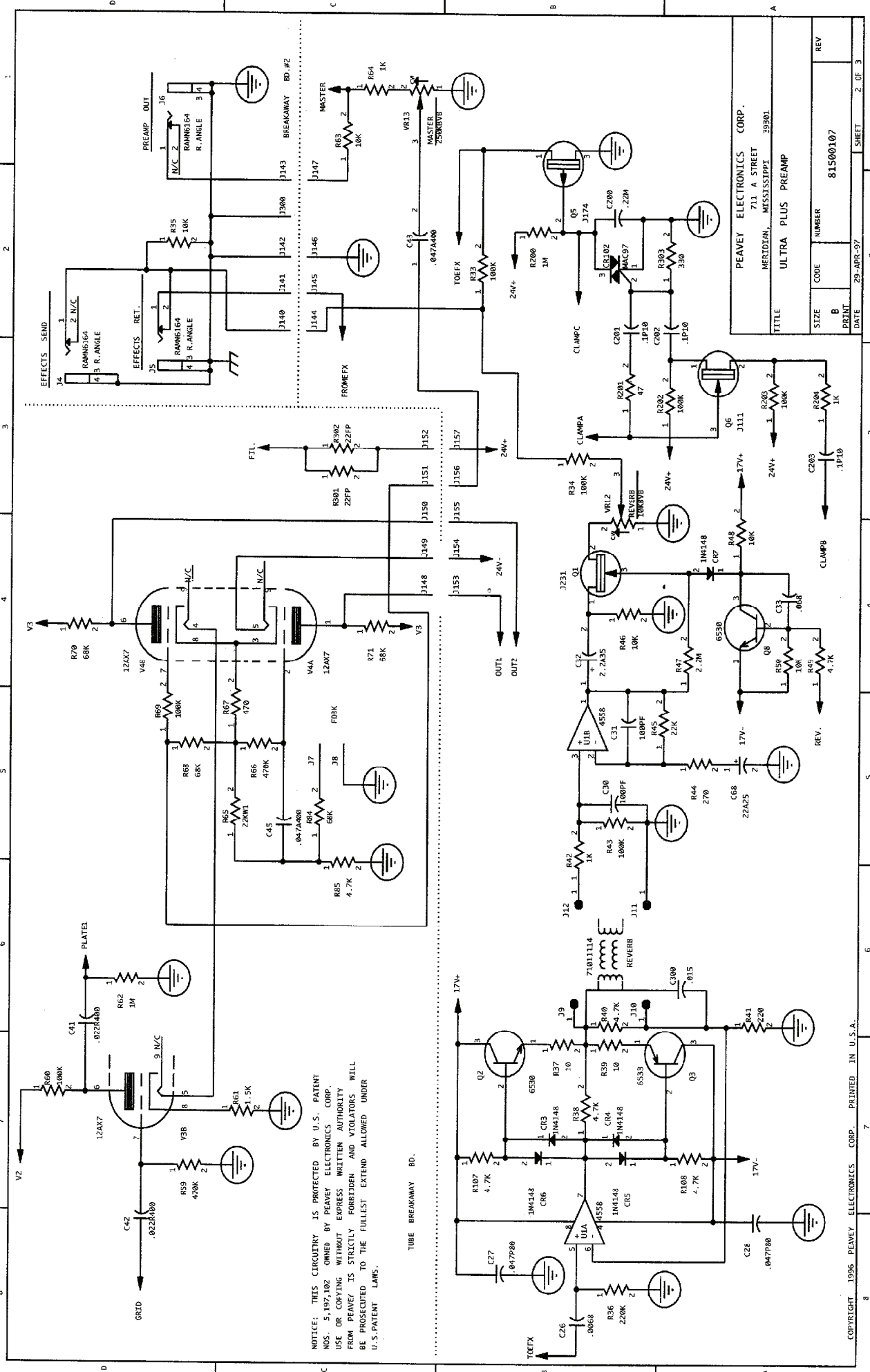


PEAVEY ELECTRONICS CORP.
 711 A STREET
 MERIDIAN, MISSISSIPPI 39301
 TITLE
 ULTRA PLUS PREAMP
 CB #98852430

SIZE	B	CODE	NUMBER
DATE	29-APR-57	REV	81500107

NOTICE: THIS CIRCUITRY IS
 PROTECTED BY U.S. PATENT NOS.
 5,197,102 OWNED BY PEAVEY
 ELECTRONICS CORP. USE OR COPYING
 WITHOUT EXPRESS WRITTEN AUTHORITY
 FROM PEAVEY IS STRICTLY FORBIDDEN
 AND VIOLATORS WILL BE PROSECUTED
 TO THE FULLEST EXTEND ALLOWED
 UNDER U.S. PATENT LAWS.

S01 37550W N/C
 S02 37550W N/C
 S03 37550W N/C
 S04 37550W N/C
 S05 37550W N/C



NOTICE: THIS CIRCUITRY IS PROTECTED BY U.S. PATENT NOS. 5,197,102 OWNED BY PEAVEY ELECTRONICS CORP. USE OR COPYING WITHOUT EXPRESS WRITTEN AUTHORITY FROM PEAVEY IS STRICTLY FORBIDDEN AND VIOLATORS WILL BE PROSECUTED TO THE FULLEST EXTENT ALLOWED UNDER U.S. PATENT LAWS.

PEAVEY ELECTRONICS CORP.
711 A STREET
MERIDIAN, MISSISSIPPI 39301

TITLE
ULTRA PLUS PREAMP

SIZE
B

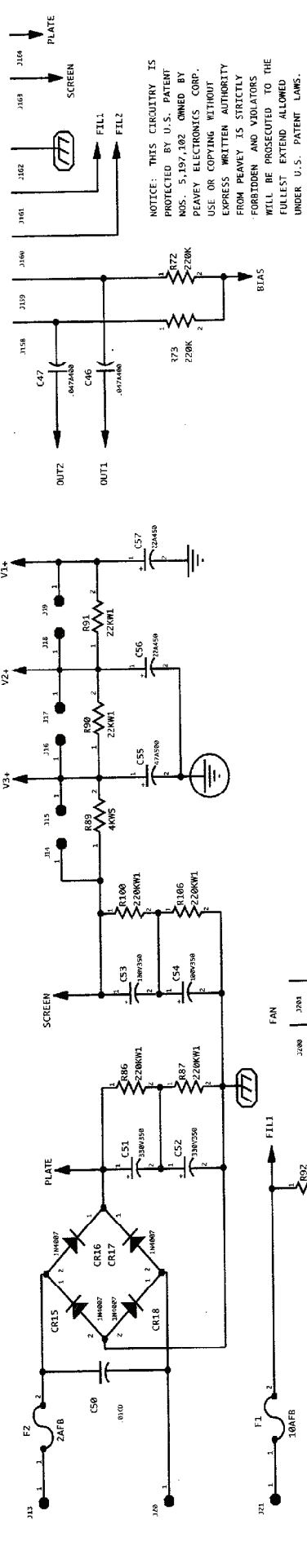
CODE NUMBER
81500107

REV
2

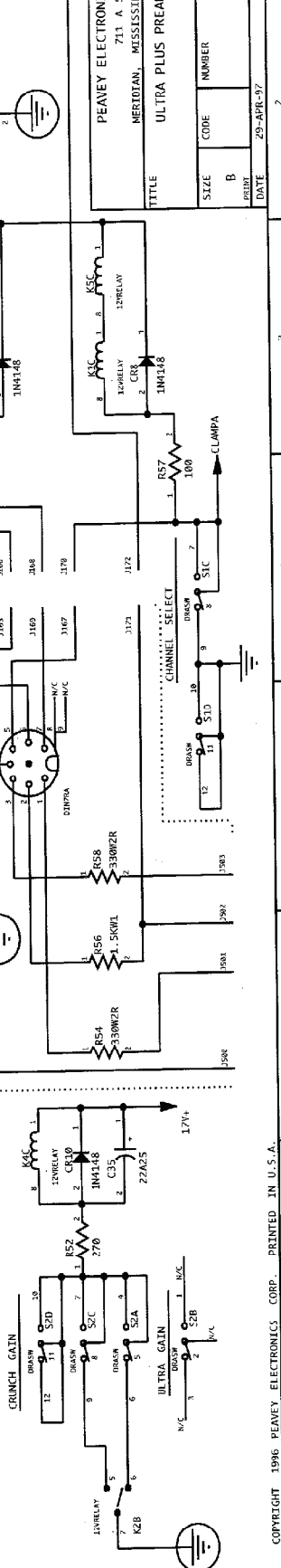
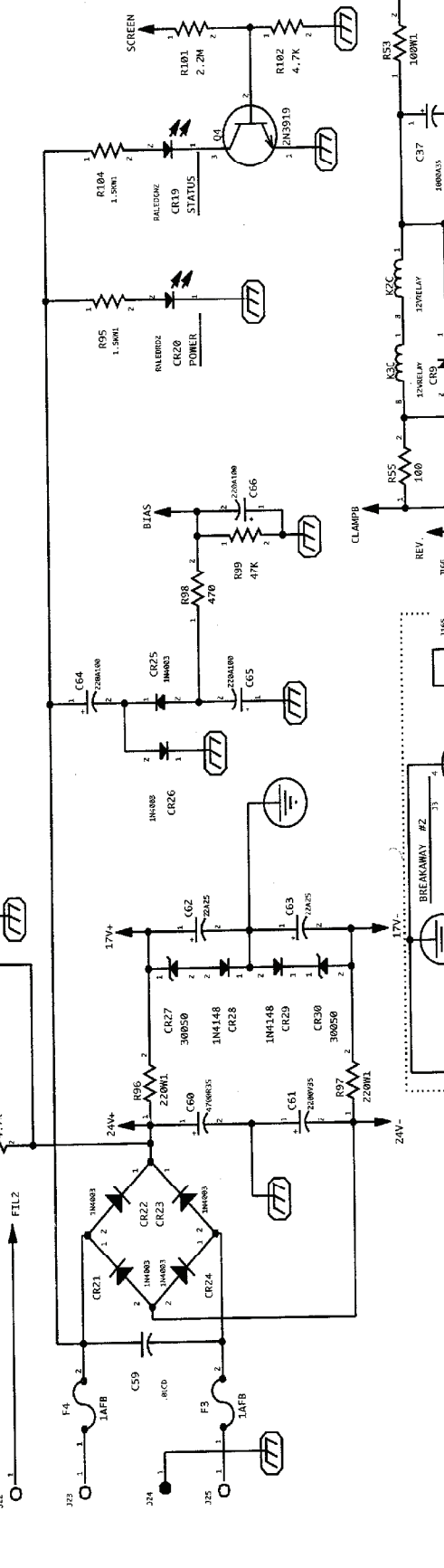
DATE
29-APR-57

SHEET
2 OF 3

TO POWER AMP BOARD



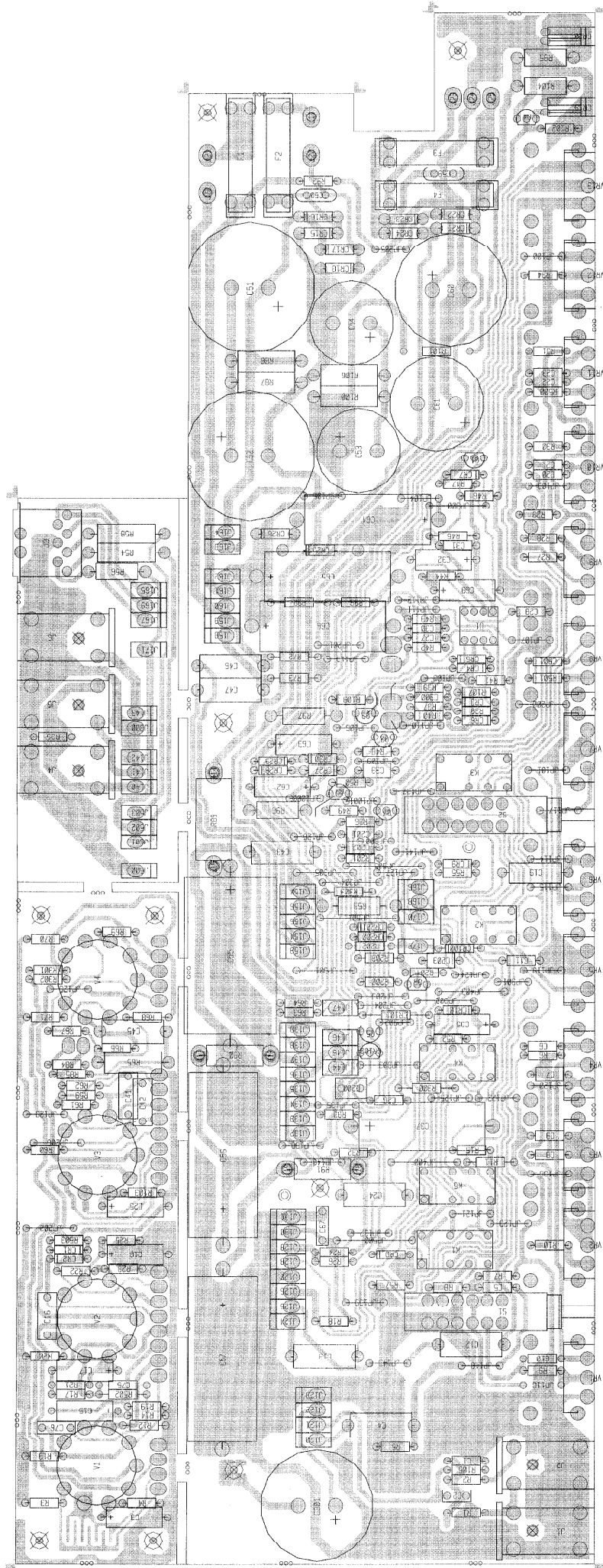
NOTICE: THIS CIRCUITRY IS PROTECTED BY U.S. PATENT NOS. 5,197,102 OWNED BY PEAVEY ELECTRONICS CORP. USE OR COPYING WITHOUT EXPRESS WRITTEN AUTHORITY FROM PEAVEY IS STRICTLY FORBIDDEN AND VIOLATORS WILL BE PROSECUTED TO THE FULLEST EXTENT ALLOWED UNDER U.S. PATENT LAWS.



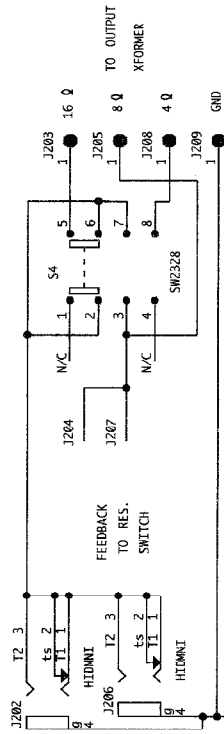
PEAVEY ELECTRONICS CORP.
711 A STREET
MERTOTAN, MISSISSIPPI 39301

ULTRA PLUS PREAMP

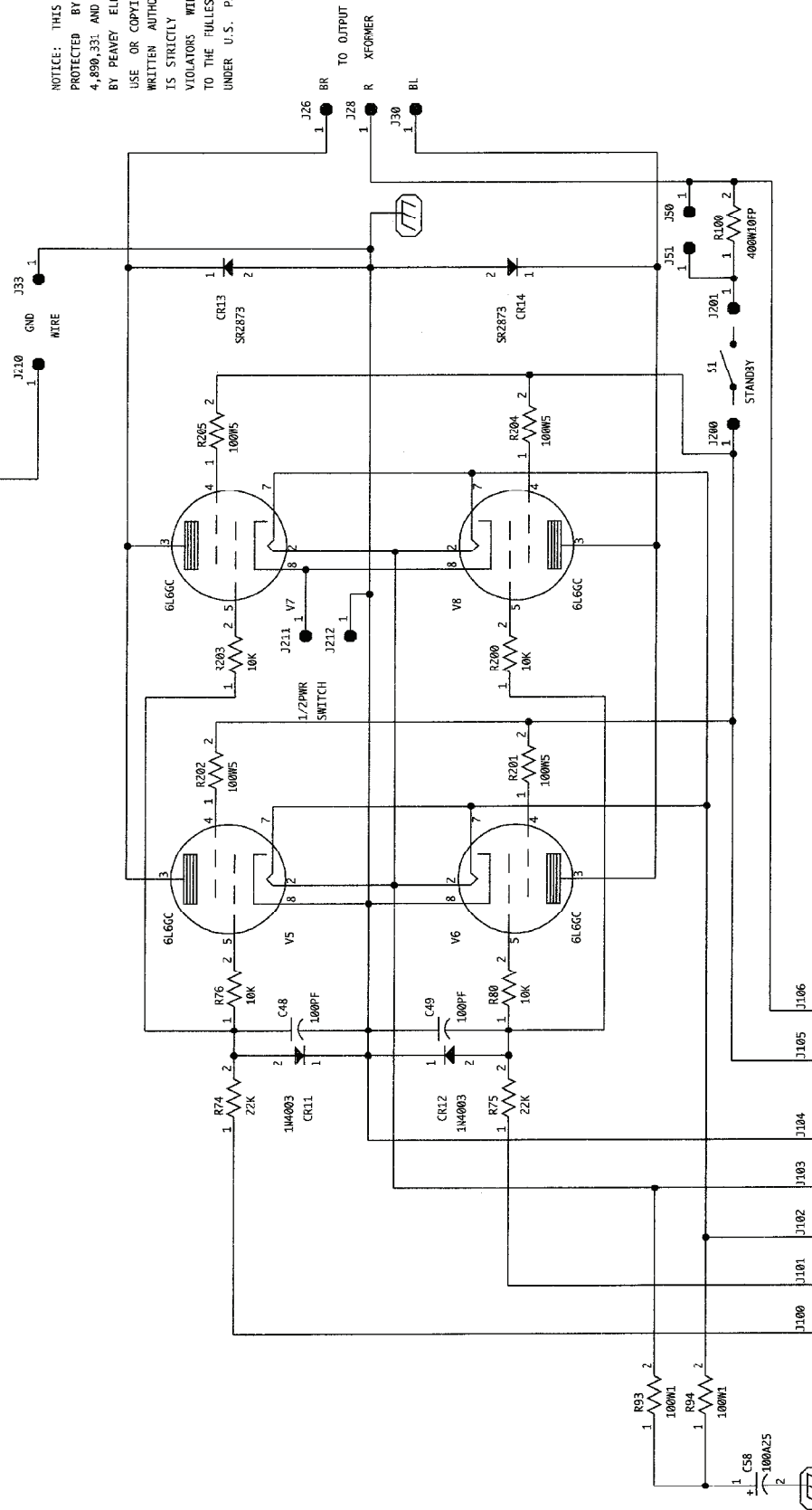
SIZE	B	CODE		NUMBER	81500107	REV	
DATE	28-APR-97	DATE	28-APR-97	SHEET	3 OF 3		



Ultra Plus Preamp



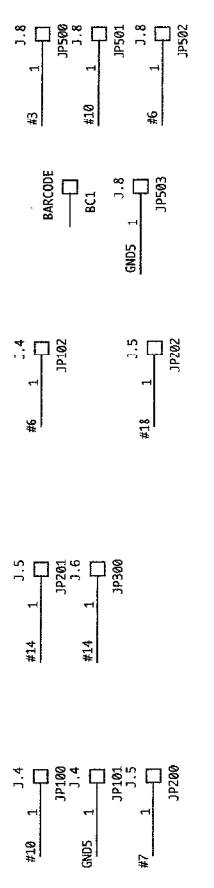
NOTICE: THIS CIRCUITRY IS PROTECTED BY U.S. PATENT NOS. 4,890,331 AND 5,197,102 OWNED BY PEAVEY ELECTRONICS CORP. USE OR COPYING WITHOUT EXPRESS WRITTEN AUTHORITY FROM PEAVEY IS STRICTLY FORBIDDEN AND VIOLATORS WILL BE PROSECUTED TO THE FULLEST EXTENT ALLOWED UNDER U.S. PATENT LAWS.

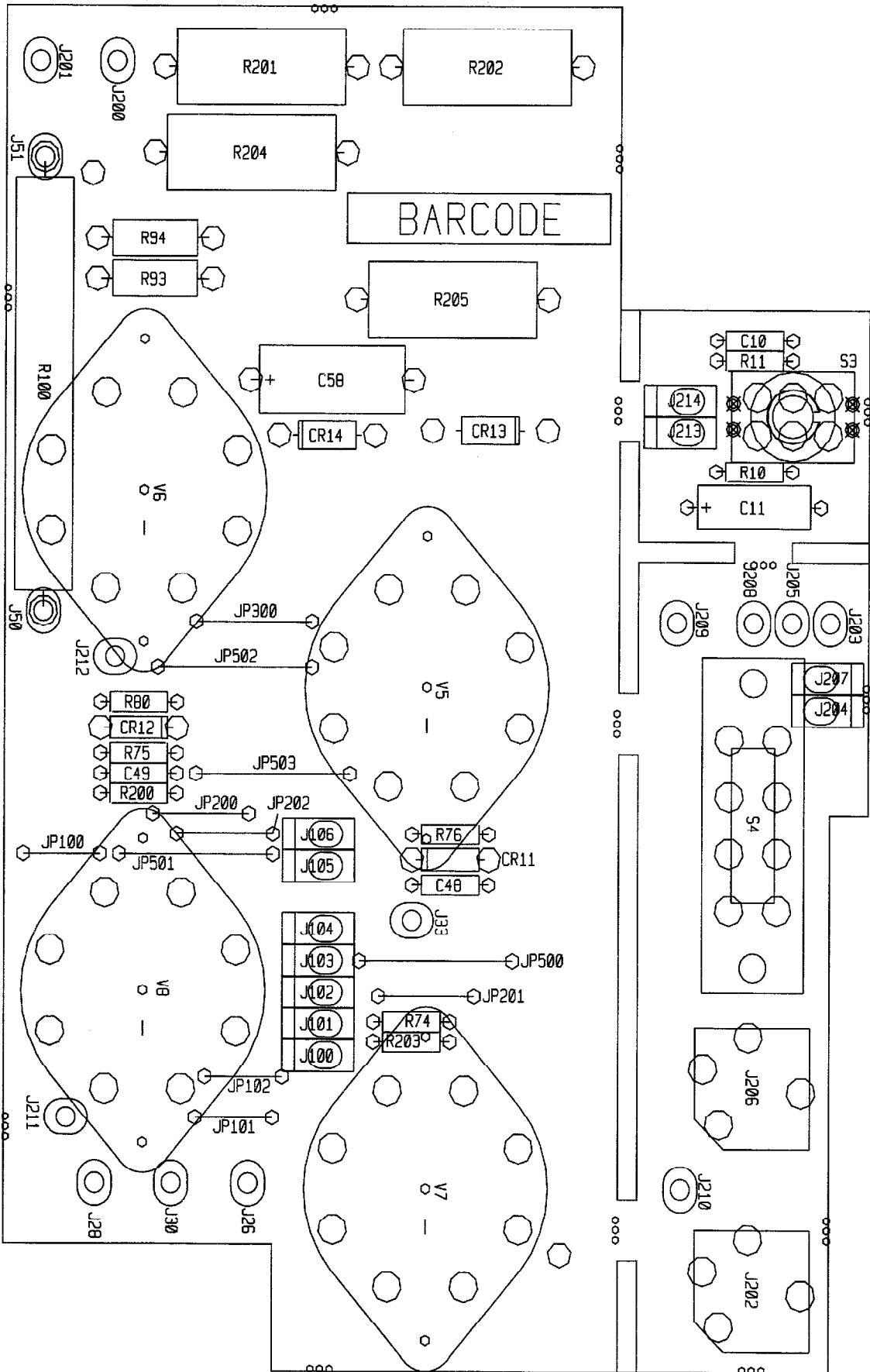


PEAVEY ELECTRONICS CORP.
711 A STREET
MEMPHIS, MISSISSIPPI 39301

TITLE
ULTRA PLUS 120W POWER BOARD

SIZE	CODE	NUMBER	99652420	REV
B		#81500659		
PRINT	DATE	12-DEC-95	SHEET	1 OF 1



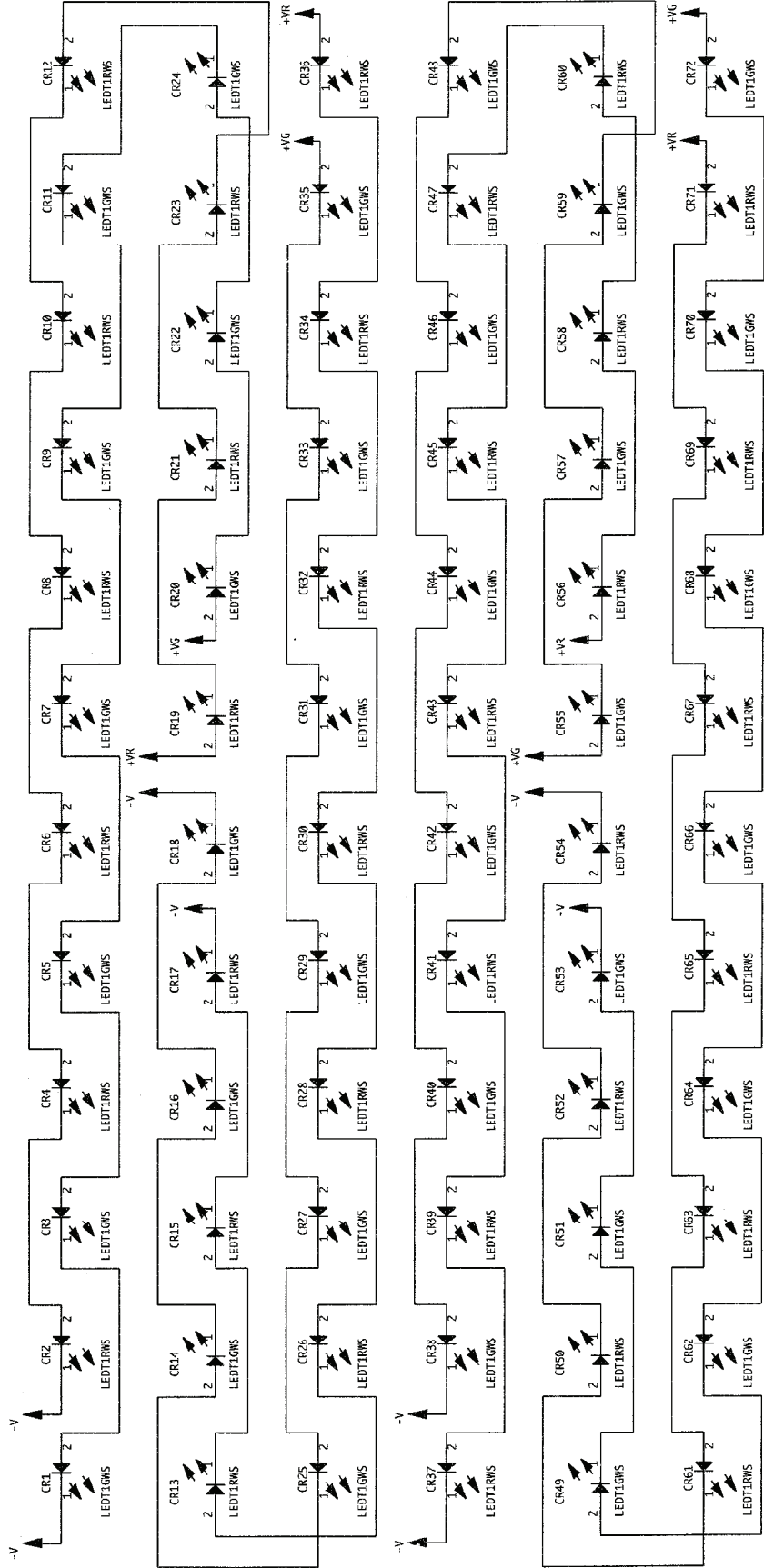


ULTRA PLUS 120W PWR

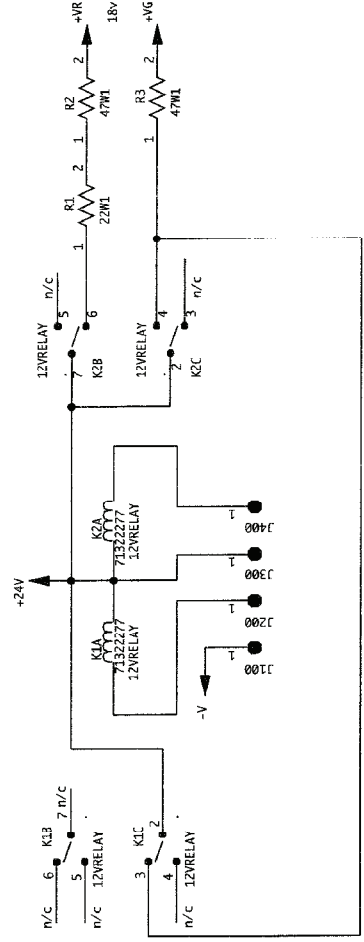
B I L L O F M A T E R I A L S R E P O R T

BOARD NAME: ULTRA 120PWR

PART	PART	DESCRIPTION AND		
* QTY.	NAME	VALUE	NUMBER	DEVICE DESIGNATIONS *****
1	.0047	.0047	70340007	.0047MF--10%--50VDC--MON--T&R C10
1	22A25	22A25	70320012	22MFD +/-20% 25VDC EL AXL C11
2	100PF	100PF	70340054	100PF--10%--50VDC--T/C--T&R C48, C49
1	100A25	100A25	70320014	100 MFD 25VDC LYTIC CAP C58
2	1N4003	1N4003	70464003	1N4003 200V SILICON DIODE CR11, CR12
2	SR2873	SR2873	70402873	SR2873 2KV, 250MA SILICON DIODE CR13, CR14
6	MMPD	73711812	73711812	R93-12 PN C.B. MALE MOLEX PIN J26, J28, J30, J33, J50, J51
7	SPX1D	SPX1D	73717003	1 STAKE PIN J100, J101, J102, J103, J104, J105, J106
2	MMPD	73711812	73711812	R93-12 PN C.B. MALE MOLEX PIN J200, J201
1	HIDMNI	71466214	71466214	2 TIP HID JACK NINS W/SPD J202
1	MMPD	73711812	73711812	R93-12 PN C.B. MALE MOLEX PIN J203
1	SPX1D	SPX1D	73717003	1 STAKE PIN J204
1	MMPD	73711812	73711812	R93-12 PN C.B. MALE MOLEX PIN J205
1	HIDMNI	71466214	71466214	2 TIP HID JACK NINS W/SPD J206
1	SPX1D	SPX1D	73717003	1 STAKE PIN J207
5	MMPD	73711812	73711812	R93-12 PN C.B. MALE MOLEX PIN J208, J209, J210, J211, J212
2	SPX1D	SPX1D	73717003	1 STAKE PIN J213, J214
1	82K	82K	70240033	82K-1/4W-5%--CF T&R R10
1	330K	330K	70240037	330K-1/4W-5%--CF-T&R R11
2	22K	22K	70240029	22K-1/4W-5%--CF-T&R R74, R75
2	10K	10K	70240025	10K-1/4W-5%--CF-T&R R76, R80
2	100W1	100W1	70210003	100-1W--5%--MO-T&R R93, R94
1	400W10FP	400W10FP	70250019	400-10W-10%--FP--AXL R100
1	10K	10K	70240025	10K-1/4W-5%--CF--T&R R200
2	100W5	100W5	70250006	100-5W-10%--WW--AXL R201, R202
1	10K	10K	70240025	10K-1/4W-5%--CF--T&R R203
2	100W5	100W5	70250006	100-5W-10%--WW--AXL R204, R205
1	SW2368	71322368	71322368	SPTT TOGGLE SWITCH S3
1	SW2328	SW2328	71322328	2PTT PC MOUNT SLIDE SWITCH S4
4	6L6GC	6L6GC	70806604	6L6GC VACUUM TUBE W/8 PIN SOCKET V5, V6, V7, V8



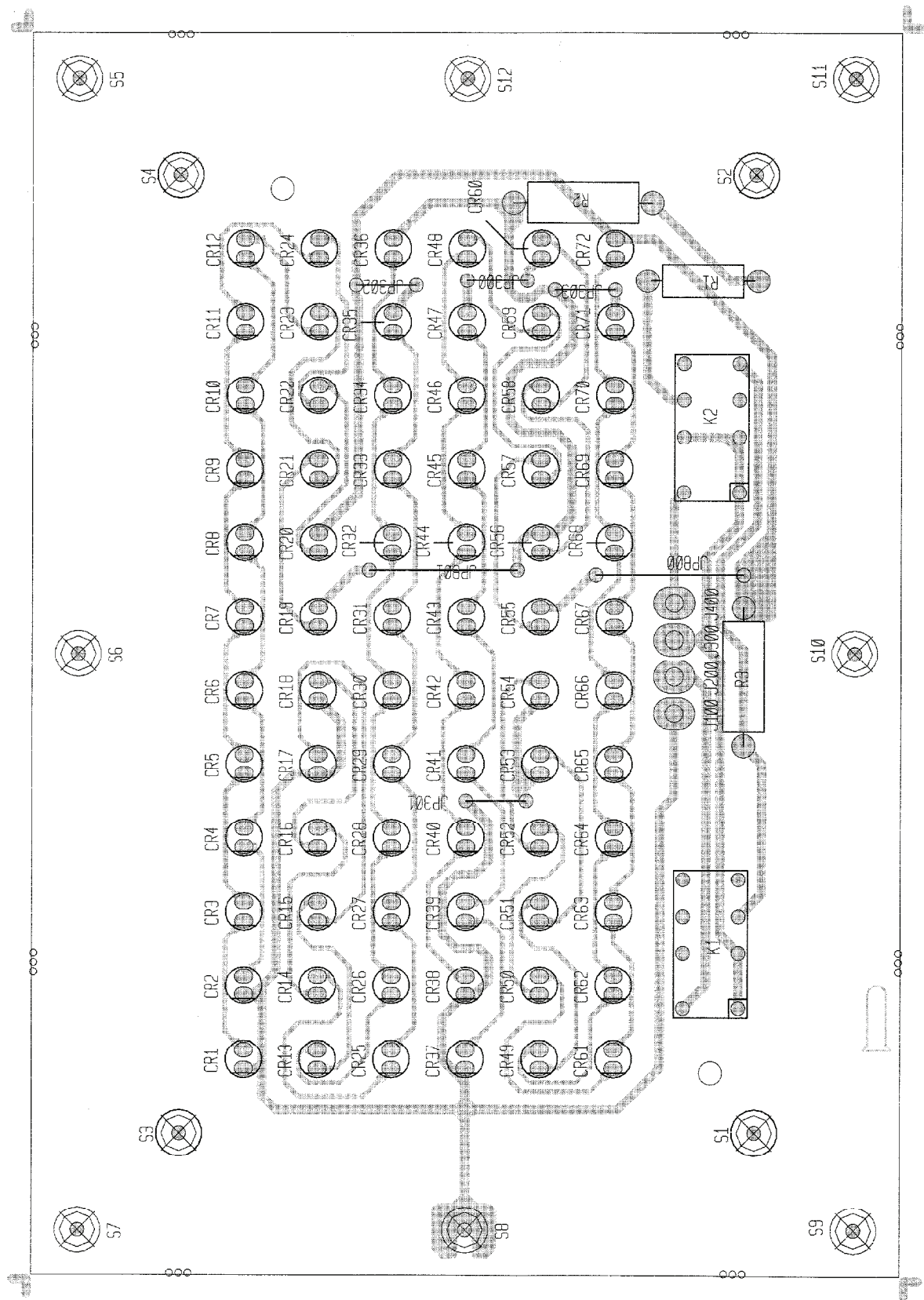
NOTICE: THIS CIRCUITRY IS PROTECTED BY U.S. PATENT NOS. 4,890,331 AND 5,197,102 OWNED BY PEAVEY ELECTRONICS CORP. USE OR COPYING WITHOUT EXPRESS WRITTEN AUTHORITY FROM PEAVEY IS STRICTLY FORBIDDEN AND VIOLATORS WILL BE PROSECUTED TO THE FULLEST EXTENT ALLOWED UNDER U.S. PATENT LAWS.



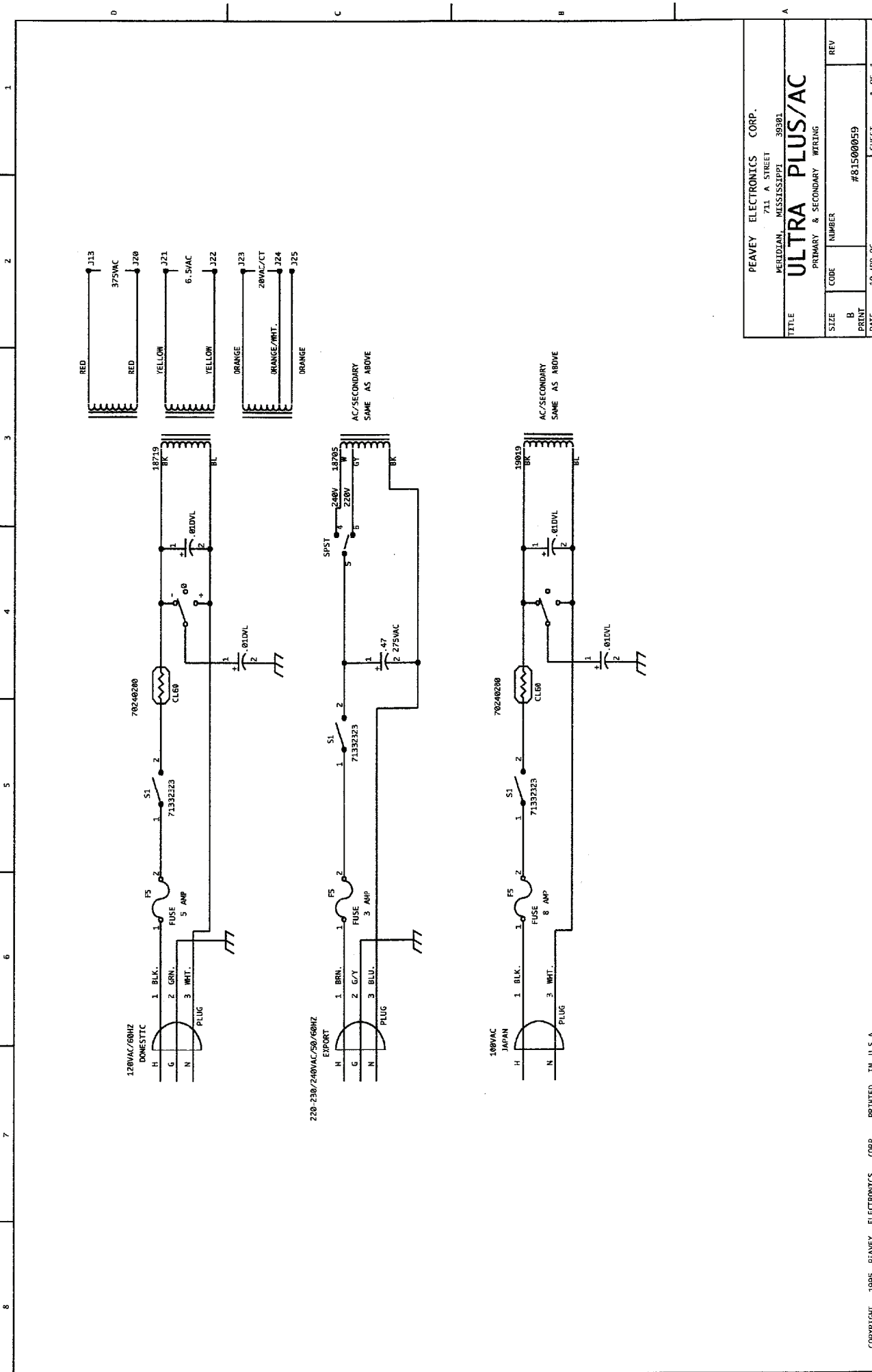
PEAVEY ELECTRONICS CORP.
711 A STREET
MERIDIAN, MISSISSIPPI 39301

ULTRA PLUS LED

TITLE	SIZE	CODE	NUMBER	REV
	B			
DATE	PRINT		#81500059	
10-APR-96				
SHEET	1	OF	1	



Ultra Plus L.E.D.



PEAVEY ELECTRONICS CORP.	
711 A STREET MERIDIAN, MISSISSIPPI 39301	
ULTRA PLUS/AC	
PRIMARY & SECONDARY WIRING	
SIZE B	CODE NUMBER
PRINT DATE	REV
10-APR-96	#81500059
SHEET 2	1 OF 1