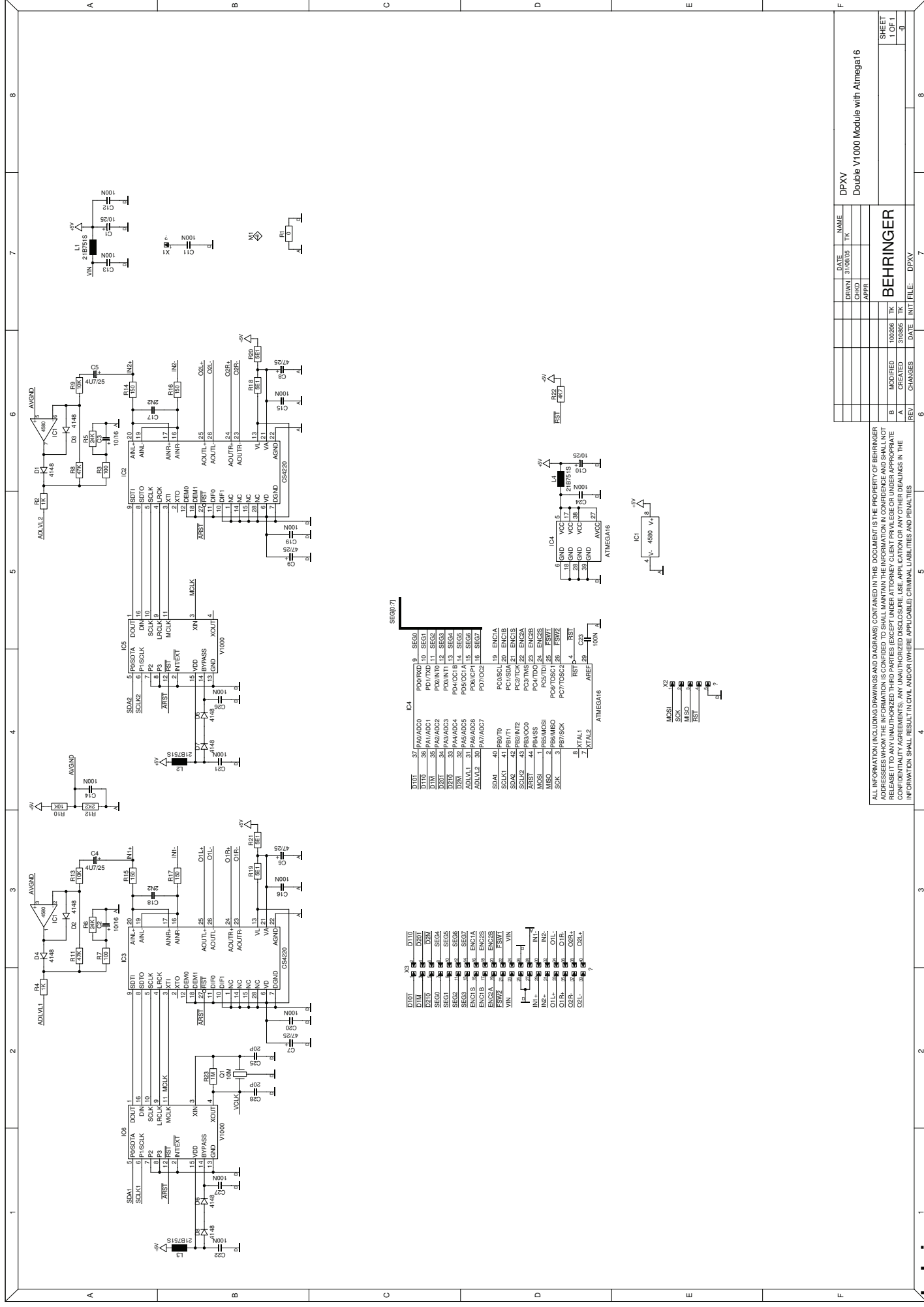


REV.	CHANGES	DATE	INT.	FILE	APP.
C	MODIFIED	2009-09-09			
B	UPDATED BOARD	2009-09-09			
A	MODIFIED	2009-09-09			
1	INITIAL	2009-09-09			

NO.	DATE	NAME	MAKE	P0000(HCA2500)
1	2009-09-09	BEHRINGER		

ALL INFORMATION CONTAINED HEREIN IS UNCLASSIFIED EXCEPT WHERE SHOWN OTHERWISE. THIS INFORMATION IS THE PROPERTY OF BEHRINGER. ANY REPRODUCTION OR TRANSMISSION OF THIS INFORMATION IS PROHIBITED WITHOUT THE WRITTEN PERMISSION OF BEHRINGER. BEHRINGER ASSUMES NO LIABILITY FOR THE USE OF THIS INFORMATION IN ANY MANNER.



SECTION 01

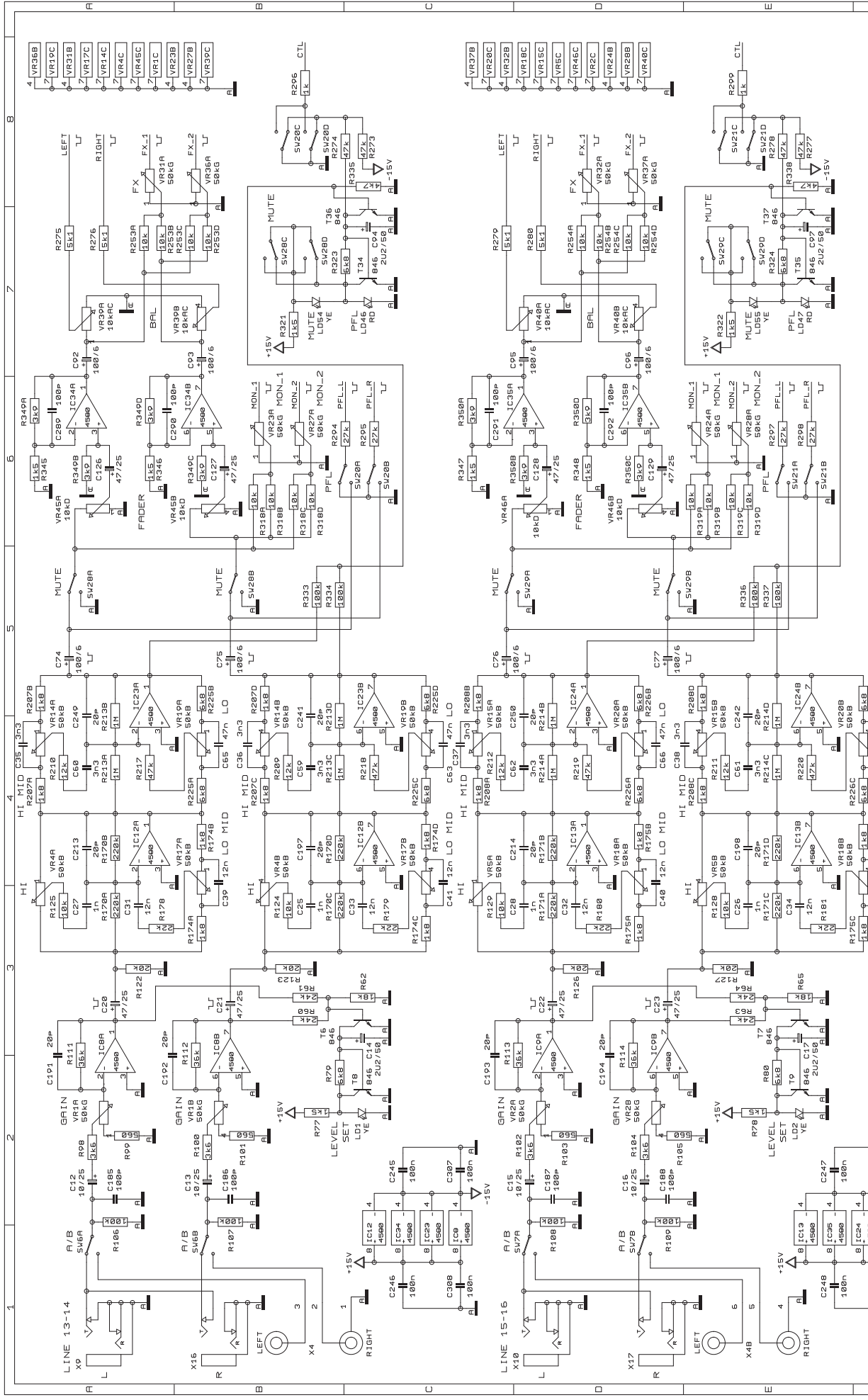
DT0T	33	DT16
DT0T	34	DT0T
DT0T	35	DT0T
DT0T	36	DT0T
DT0T	37	DT0T
DT0T	38	DT0T
DT0T	39	DT0T
DT0T	40	DT0T
DT0T	41	DT0T
DT0T	42	DT0T
DT0T	43	DT0T
DT0T	44	DT0T
DT0T	45	DT0T
DT0T	46	DT0T
DT0T	47	DT0T
DT0T	48	DT0T
DT0T	49	DT0T
DT0T	50	DT0T
DT0T	51	DT0T
DT0T	52	DT0T
DT0T	53	DT0T
DT0T	54	DT0T
DT0T	55	DT0T
DT0T	56	DT0T
DT0T	57	DT0T
DT0T	58	DT0T
DT0T	59	DT0T
DT0T	60	DT0T
DT0T	61	DT0T
DT0T	62	DT0T
DT0T	63	DT0T
DT0T	64	DT0T
DT0T	65	DT0T
DT0T	66	DT0T
DT0T	67	DT0T
DT0T	68	DT0T
DT0T	69	DT0T
DT0T	70	DT0T
DT0T	71	DT0T
DT0T	72	DT0T
DT0T	73	DT0T
DT0T	74	DT0T
DT0T	75	DT0T
DT0T	76	DT0T
DT0T	77	DT0T
DT0T	78	DT0T
DT0T	79	DT0T
DT0T	80	DT0T
DT0T	81	DT0T
DT0T	82	DT0T
DT0T	83	DT0T
DT0T	84	DT0T
DT0T	85	DT0T
DT0T	86	DT0T
DT0T	87	DT0T
DT0T	88	DT0T
DT0T	89	DT0T
DT0T	90	DT0T
DT0T	91	DT0T
DT0T	92	DT0T
DT0T	93	DT0T
DT0T	94	DT0T
DT0T	95	DT0T
DT0T	96	DT0T
DT0T	97	DT0T
DT0T	98	DT0T
DT0T	99	DT0T
DT0T	100	DT0T

SECTION 02

IC4	1	AVCC
IC4	2	AVCC
IC4	3	AVCC
IC4	4	AVCC
IC4	5	AVCC
IC4	6	AVCC
IC4	7	AVCC
IC4	8	AVCC
IC4	9	AVCC
IC4	10	AVCC
IC4	11	AVCC
IC4	12	AVCC
IC4	13	AVCC
IC4	14	AVCC
IC4	15	AVCC
IC4	16	AVCC
IC4	17	AVCC
IC4	18	AVCC
IC4	19	AVCC
IC4	20	AVCC
IC4	21	AVCC
IC4	22	AVCC
IC4	23	AVCC
IC4	24	AVCC
IC4	25	AVCC
IC4	26	AVCC
IC4	27	AVCC
IC4	28	AVCC
IC4	29	AVCC
IC4	30	AVCC
IC4	31	AVCC
IC4	32	AVCC
IC4	33	AVCC
IC4	34	AVCC
IC4	35	AVCC
IC4	36	AVCC
IC4	37	AVCC
IC4	38	AVCC
IC4	39	AVCC
IC4	40	AVCC
IC4	41	AVCC
IC4	42	AVCC
IC4	43	AVCC
IC4	44	AVCC
IC4	45	AVCC
IC4	46	AVCC
IC4	47	AVCC
IC4	48	AVCC
IC4	49	AVCC
IC4	50	AVCC
IC4	51	AVCC
IC4	52	AVCC
IC4	53	AVCC
IC4	54	AVCC
IC4	55	AVCC
IC4	56	AVCC
IC4	57	AVCC
IC4	58	AVCC
IC4	59	AVCC
IC4	60	AVCC
IC4	61	AVCC
IC4	62	AVCC
IC4	63	AVCC
IC4	64	AVCC
IC4	65	AVCC
IC4	66	AVCC
IC4	67	AVCC
IC4	68	AVCC
IC4	69	AVCC
IC4	70	AVCC
IC4	71	AVCC
IC4	72	AVCC
IC4	73	AVCC
IC4	74	AVCC
IC4	75	AVCC
IC4	76	AVCC
IC4	77	AVCC
IC4	78	AVCC
IC4	79	AVCC
IC4	80	AVCC
IC4	81	AVCC
IC4	82	AVCC
IC4	83	AVCC
IC4	84	AVCC
IC4	85	AVCC
IC4	86	AVCC
IC4	87	AVCC
IC4	88	AVCC
IC4	89	AVCC
IC4	90	AVCC
IC4	91	AVCC
IC4	92	AVCC
IC4	93	AVCC
IC4	94	AVCC
IC4	95	AVCC
IC4	96	AVCC
IC4	97	AVCC
IC4	98	AVCC
IC4	99	AVCC
IC4	100	AVCC

ALL INFORMATION INCLUDING DRAWINGS AND DIAGRAMS CONTAINED IN THIS DOCUMENT IS THE PROPERTY OF BEHRINGER. IT IS TO BE KEPT CONFIDENTIAL AND NOT RELEASED TO ANY UNAUTHORIZED THIRD PARTIES, EXCEPT UNDER ATTORNEY-CLIENT PRIVILEGE OR UNDER APPROPRIATE CONFIDENTIALITY AGREEMENTS. ANY UNAUTHORIZED DISCLOSURE, USE, APPLICATION OR ANY OTHER DEALINGS IN THE INFORMATION SHALL RESULT IN CIVIL AND/OR (WHERE APPLICABLE) CRIMINAL LIABILITIES AND PENALTIES.

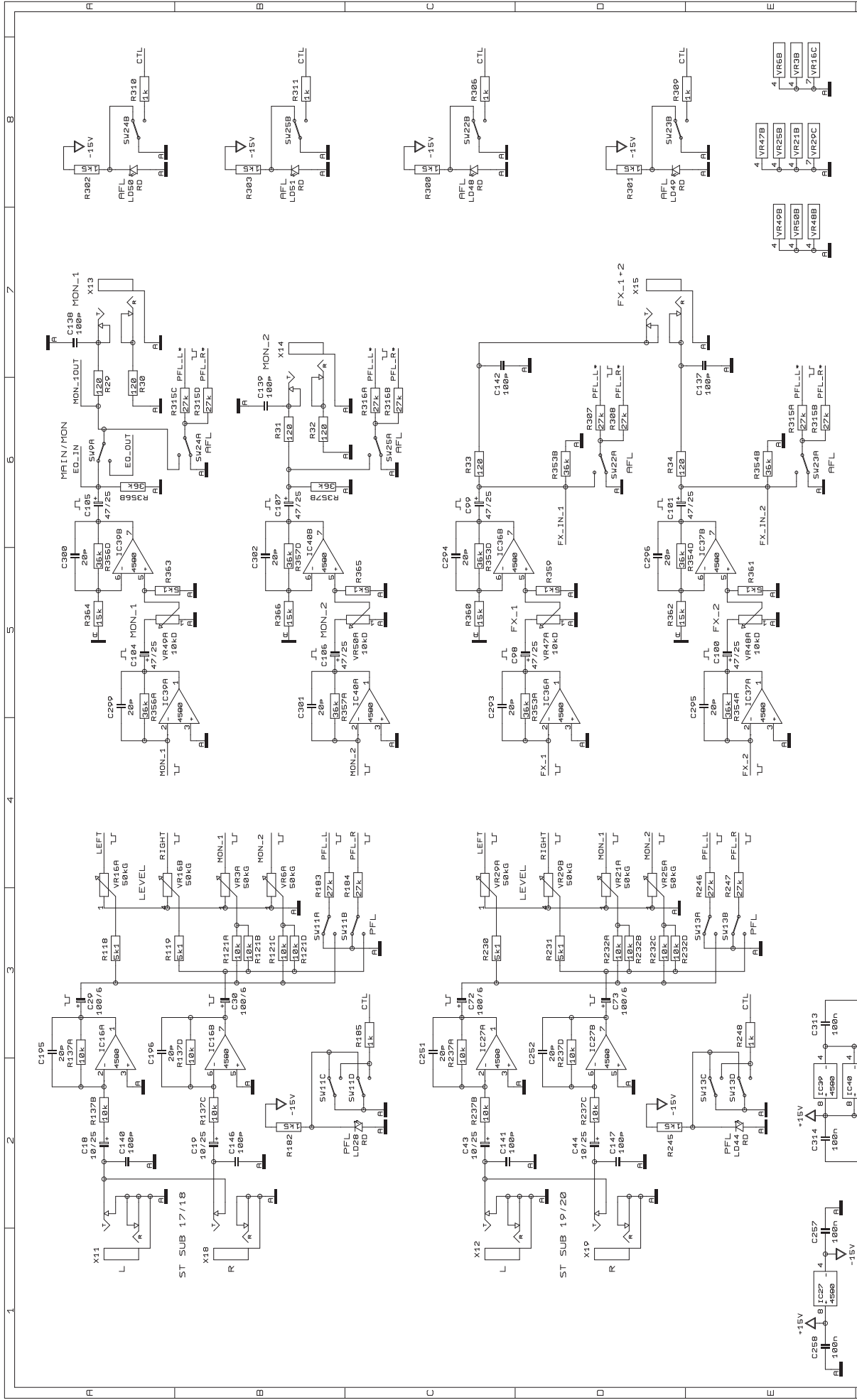
DATE	31/08/05	TK
DRWN	CHKO	APPL
NAME	DPXV Double V1000 Module with Atmega16	
REV	CHANGES	DATE
A	CREATED	31/08/05
B	MODIFIED	10/02/06
SHEET 1 OF 1		



REVISIONS		F (23/08/05)		DATE 11.11. 9		PROJECT P0567	
3	DRAWN SA	4	CHECKED	5	13:24	7	EUROPOWER
				STEREO CHANNEL 13-16			
				SHEET 1 OF 8 SHEETS TOTAL			

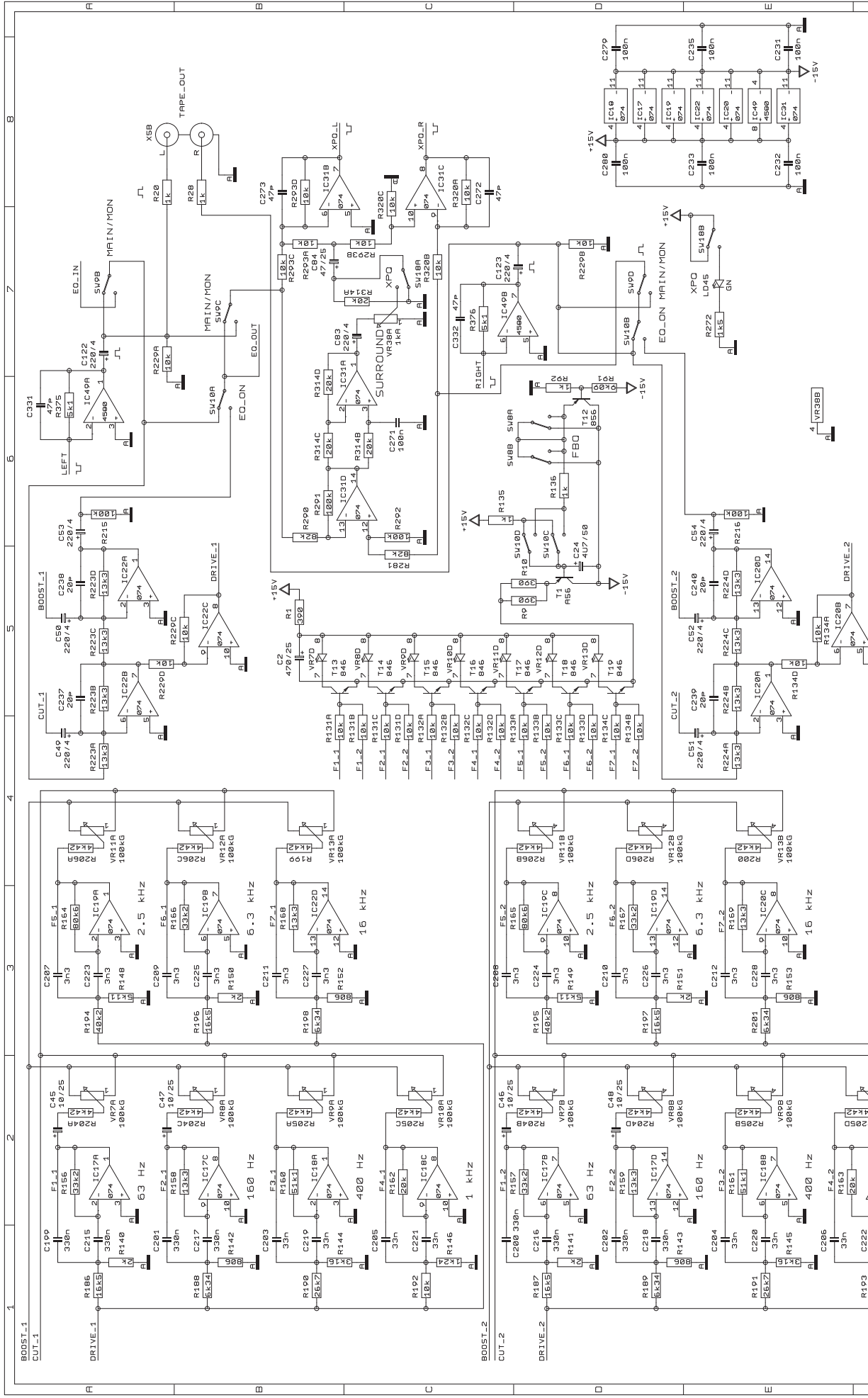
BEHRINGER

THIS DOCUMENT CONTAINS PROPRIETARY INFORMATION WHICH IS THE PROPERTY OF BEHRINGER. IT IS TO BE KEPT CONFIDENTIAL AND NOT REPRODUCED OR USED IN ANY MANNER WITHOUT THE WRITTEN CONSENT OF BEHRINGER.



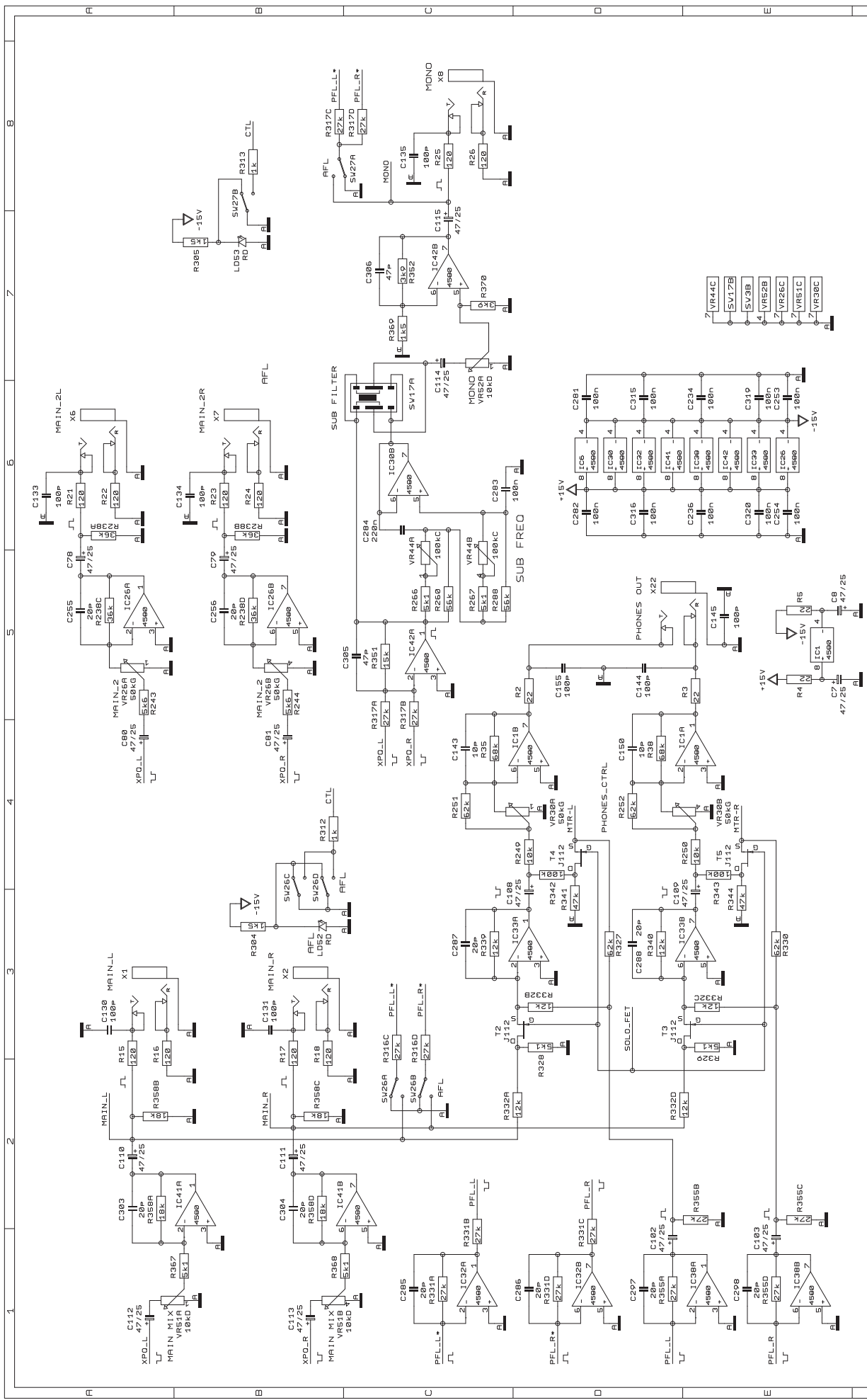
<p>BEHRINGER</p>	<p>PROJECT P0567 EUROPOWER ST SUBS / MON, FX OUTS</p>	<p>SHEET 2 OF 8 SHEETS TOTAL</p>
<p>REVISIONS F</p>	<p>CHECKED</p>	<p>DATE 11.11.9</p>
<p>DRAWN BB</p>	<p>13:24</p>	

THIS DOCUMENT CONTAINS PROPRIETARY INFORMATION WHICH IS THE PROPERTY OF BEHRINGER. EXPRESS OR IMPLIED WARRANTIES ARE DISCLAIMED.



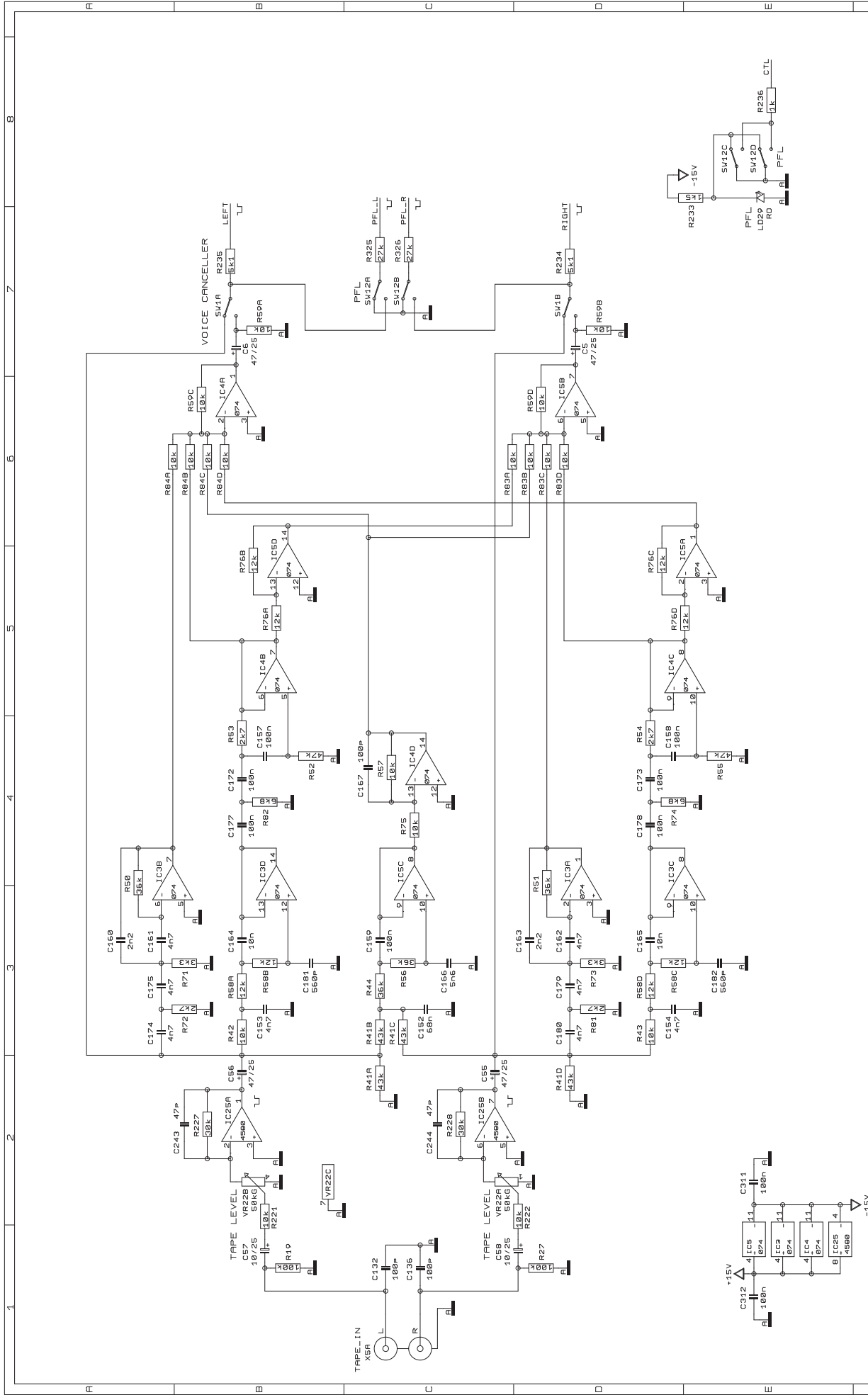
PROJECT P0567 EUROPOWER GRAPHIC EQ / FBO / XPO		SHEET 3 OF 8 SHEETS TOTAL	
<h1 style="text-align: center;">BEHRINGER</h1>		DATE 11.11.9	
		13:24	
REVISIONS		SA	CHECKED
DRAWN		SA	CHECKED

THIS DOCUMENT CONTAINS PROPRIETARY INFORMATION WHICH IS THE PROPERTY OF BEHRINGER. IT IS TO BE KEPT CONFIDENTIAL AND NOT PRODUCED OR USED IN ANY MANNER WITHOUT THE WRITTEN CONSENT OF BEHRINGER.



<p>THIS DOCUMENT CONTAINS PROPRIETARY INFORMATION WHICH IS THE PROPERTY OF BEHRINGER. IT IS TO BE KEPT CONFIDENTIAL AND NOT REPRODUCED OR USED IN ANY MANNER WITHOUT THE WRITTEN CONSENT OF BEHRINGER.</p>		<p>REVISIONS F</p>		<p>DATE 11.11.9</p>	
		<p>DRAWN SA</p>		<p>CHECKED</p>	
<p>PROJECT P0567 EUROPOWER MAIN SECTION</p>		<p>SHEET 4 OF 8 SHEETS TOTAL</p>		<p>8</p>	

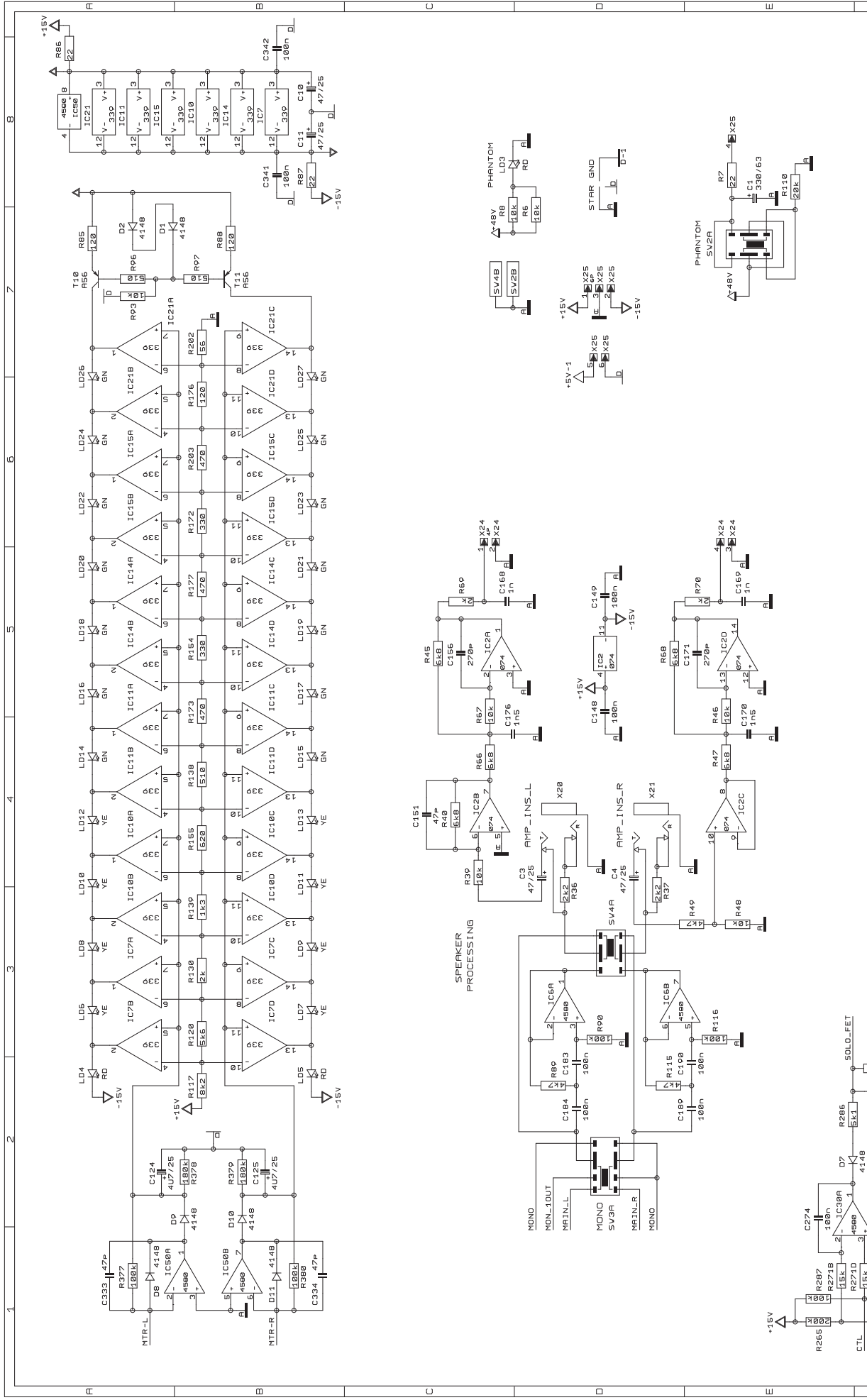
BEHRINGER



<p>PROJECT P0567 EUROPOWER VOICE CANCELLER</p>		<p>REVISIONS F</p>		<p>DATE 11.11.9</p>	
		<p>DRAWN SA</p>	<p>CHECKED</p>	<p>13:24</p>	<p>8</p>
<p>SHEET 5 OF 8 SHEETS TOTAL</p>			<p>8</p>		

BEHRINGER

THIS DOCUMENT CONTAINS PROPRIETARY INFORMATION WHICH IS THE PROPERTY OF BEHRINGER. EXPRESS WRITTEN CONSENT IS REQUIRED FOR USER TO REPRODUCE OR TRANSMIT THIS DOCUMENT.

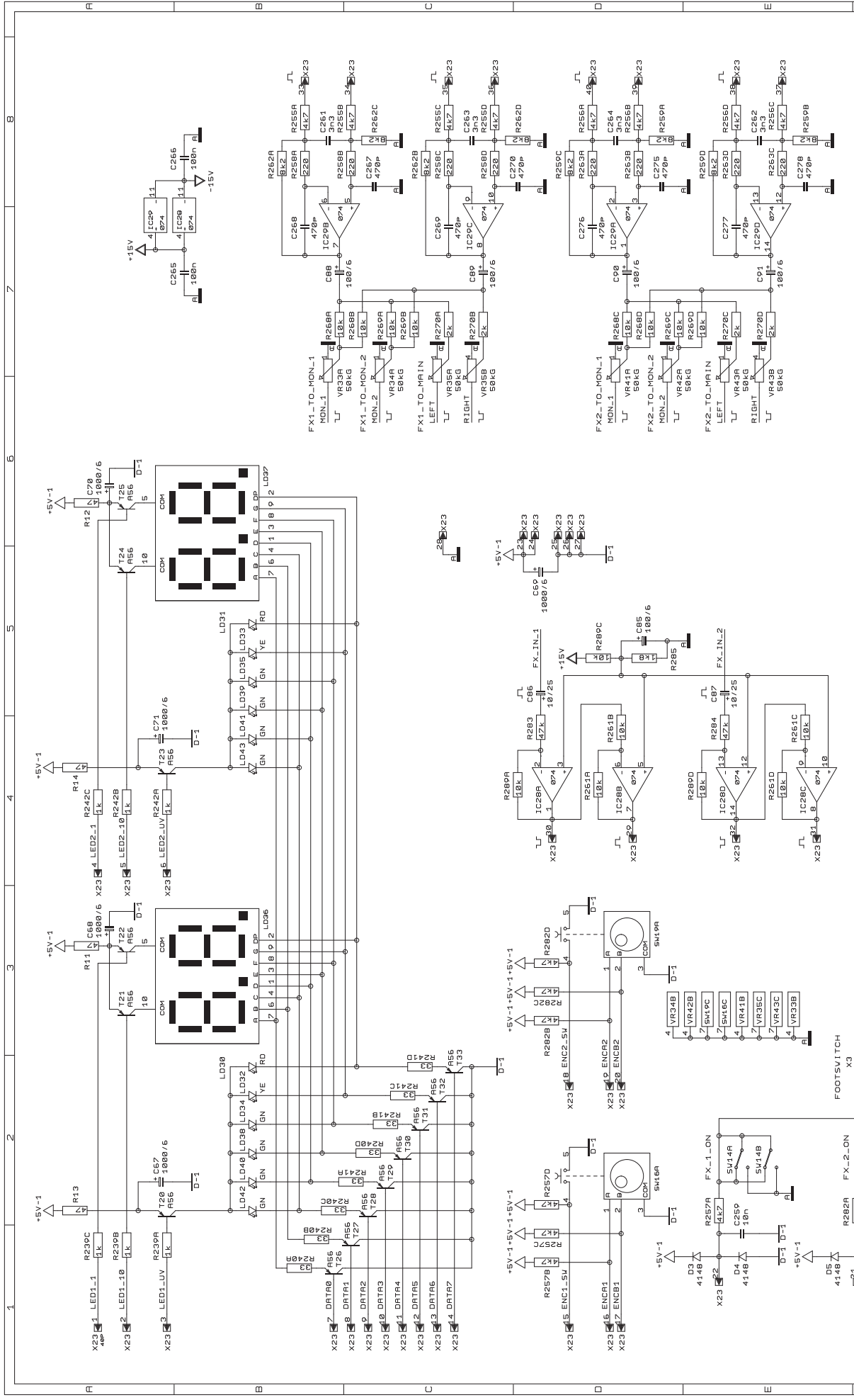


THIS DOCUMENT CONTAINS PROPRIETARY INFORMATION WHICH IS THE PROPERTY OF BEHRINGER. IT IS TO BE USED ONLY FOR THE EXPRESS AND LIMITED PURPOSES DESCRIBED HEREIN.	
REVISONS	F
DRAWN	SA
CHECKED	
DATE	11.11.9
	13:24

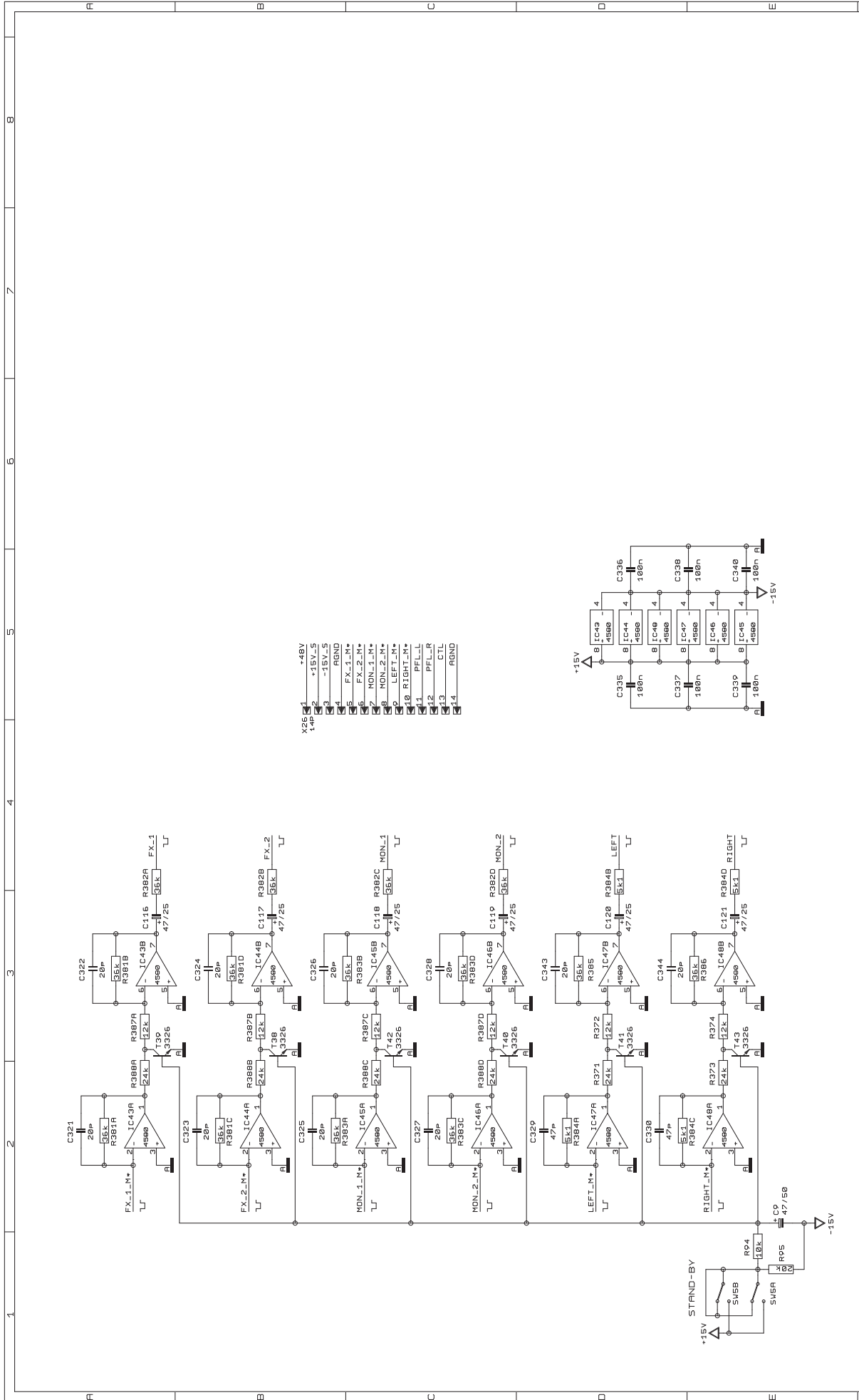
BEHRINGER

PROJECT P0567
EUROPOWER
LED METER & FX RETURN

SHEET 6 OF 8 SHEETS TOTAL



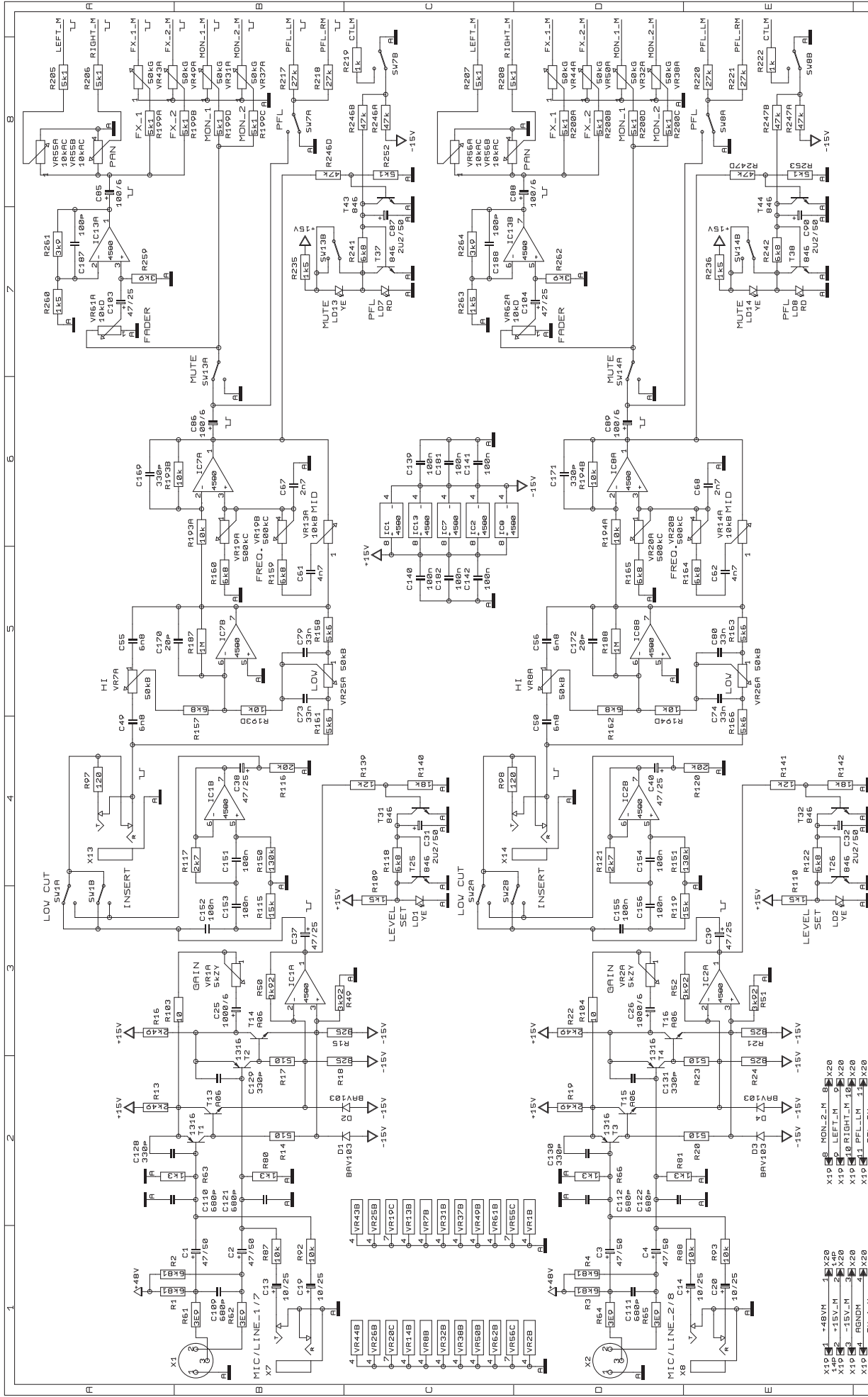
PROJECT P0567 EUROPOWER FX SECTION			SHEET 7 OF 8 SHEETS TOTAL	
<h1 style="text-align: center;">BEHRINGER</h1>			DATE 11.11.9	
			13:24	
REVISIONS F			CHECKED	DRAWN SA
THIS DOCUMENT CONTAINS PROPRIETARY INFORMATION WHICH IS THE PROPERTY OF BEHRINGER. EXPRESS OR IMPLIED, NO PART OF THIS DOCUMENT IS TO BE REPRODUCED OR USED IN ANY MANNER WITHOUT THE WRITTEN CONSENT OF BEHRINGER.				



Y26	1	+48V
14P	2	-15V_S
3	-15V_S	
4	RBND	
5	FX.1.M*	
6	FX.2.M*	
7	NON.1.M*	
8	NON.2.M*	
9	LEFT.M*	
10	RIGHT.M*	
11	PFL.L	
12	PFL.R	
13	CTL	
14	RBND	

BEHRINGER		PROJECT P0567 EUROPOWER MUTE GROUPS	
REVISONS	F	DATE	11.11.9
DRAWN	SA	CHECKED	13:24
SHEET 8	OF 8	SHEETS	TOTAL

THIS DOCUMENT CONTAINS PROPRIETARY INFORMATION WHICH IS THE PROPERTY OF BEHRINGER. IT IS TO BE KEPT STRICTLY CONFIDENTIAL AND NOT REPRODUCED OR USED IN ANY MANNER WITHOUT THE EXPRESS WRITTEN CONSENT OF BEHRINGER.



BEHRINGER

PROJECT P0567-02
EUROPOWER
MONO CHANNEL 1/7-2/8

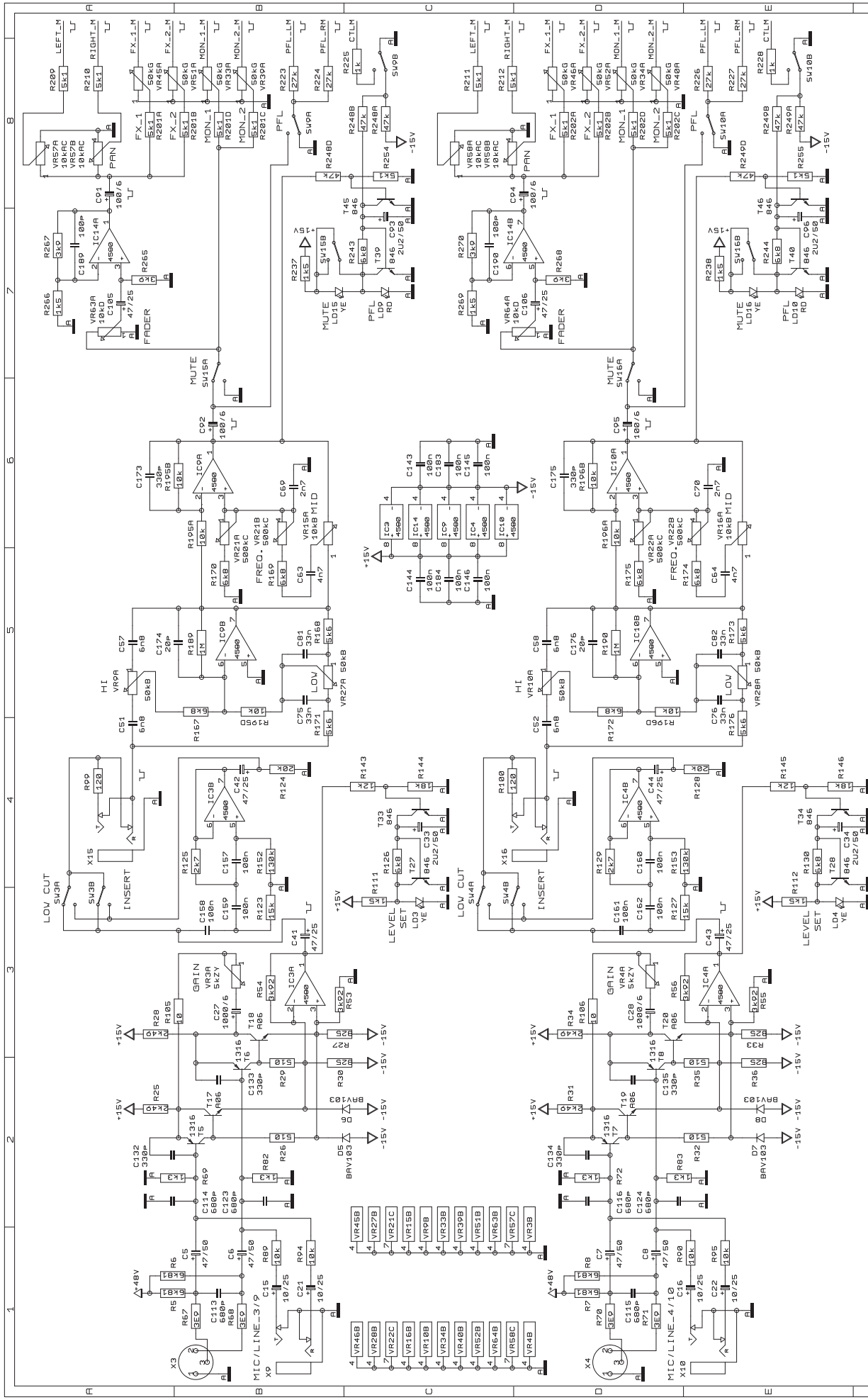
REVISIONS C (07/09/04)

DRAWN SA	CHECKED	DATE 11.11.9
3	4	14:03
7	6	5
8	7	8

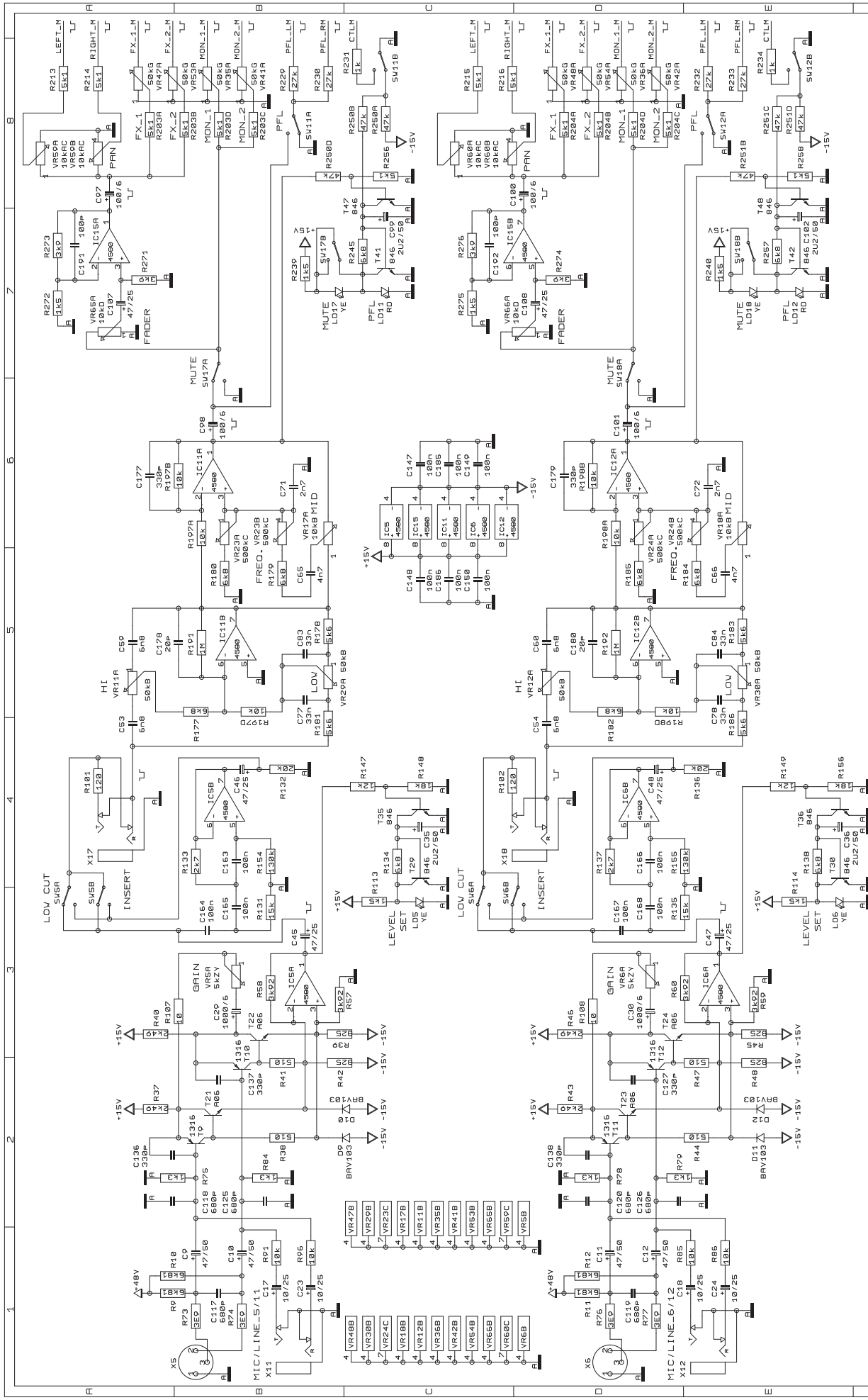
SHEET 1 OF 3 SHEETS TOTAL

THIS DOCUMENT CONTAINS PROPRIETARY INFORMATION WHICH IS THE PROPERTY OF BEHRINGER. IT IS TO BE KEPT CONFIDENTIAL AND NOT REPRODUCED OR USED IN ANY MANNER WITHOUT THE WRITTEN CONSENT OF BEHRINGER.

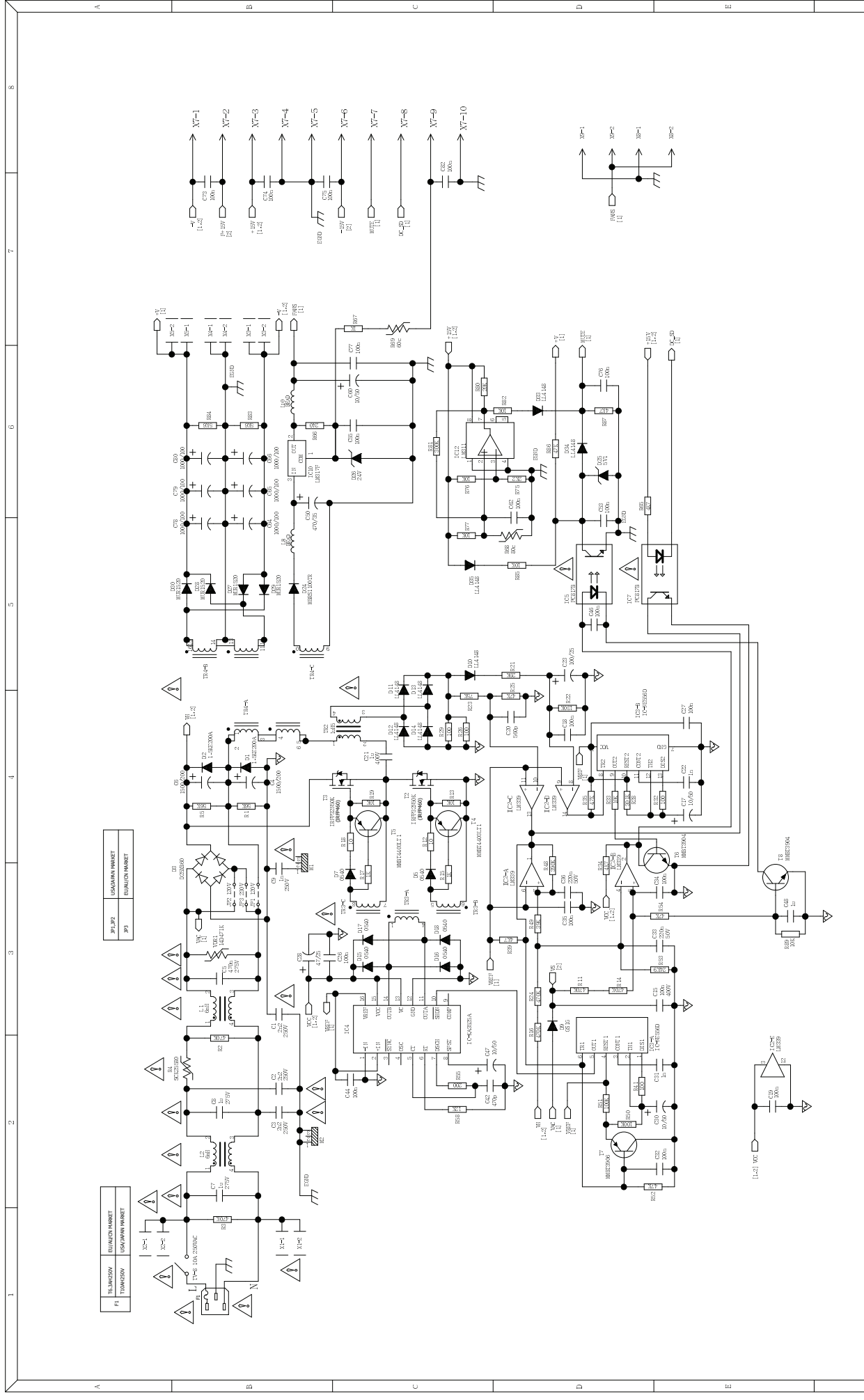
- X10 1 48V M 1 100 100K
- X10 2 15V M 2 100 100K
- X10 3 15V M 3 100 100K
- X10 4 RNDM 4 100 100K
- X10 5 PFL LM 5 100 100K
- X10 6 EX 1 M 6 100 100K
- X10 7 EX 2 M 7 100 100K
- X10 8 MON 1 M 8 100 100K
- X10 9 MON 2 M 9 100 100K



PROJECT		P0567-02	
EUROPOWER		MONO CHANNEL 3/9-4/10	
SHEET 2		OF 3 SHEETS TOTAL	
BEHRINGER			
REVISIONS		C	
DRAWN	SA	CHECKED	
DATE	11.11.9		
	14:03		
THIS DOCUMENT CONTAINS PROPRIETARY INFORMATION WHICH IS THE PROPERTY OF BEHRINGER. IT IS TO BE KEPT IN STRICTLY CONFIDENTIAL AND NOT REPRODUCED OR USED IN ANY MANNER WITHOUT THE WRITTEN CONSENT OF BEHRINGER.			



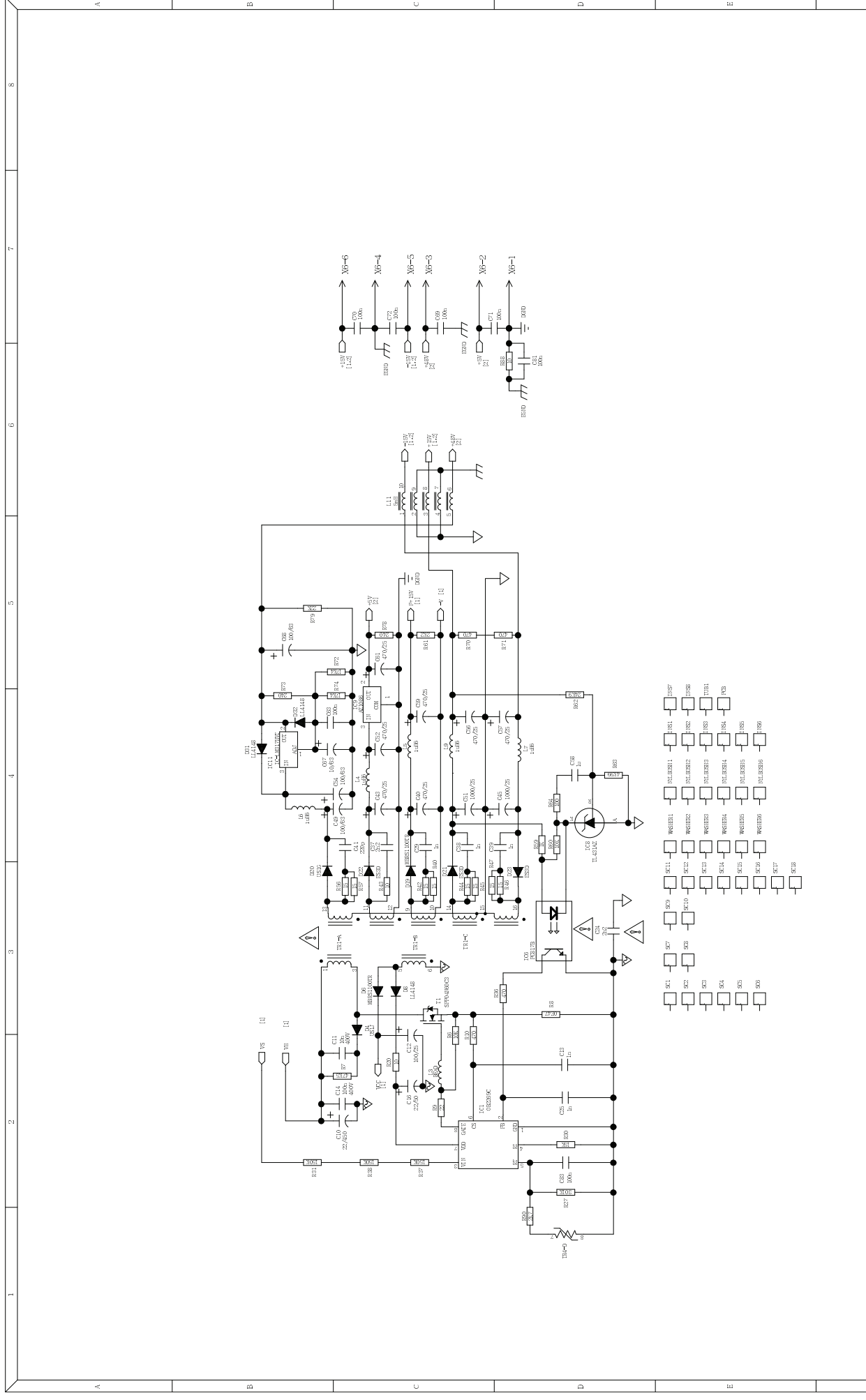
PROJECT		P0567-02	
EUROPOWER		MONO CHANNEL 5/11-6/12	
SHEET 3		OF 3 SHEETS TOTAL	
BEHRINGER			
REVISIONS		C	
DRAWN	SA	CHECKED	
DATE	11.11.9		
	14:03		
THIS DOCUMENT CONTAINS PROPRIETARY INFORMATION WHICH IS THE PROPERTY OF BEHRINGER. IT IS TO BE KEPT STRICTLY CONFIDENTIAL AND NOT TO BE REPRODUCED OR USED IN ANY MANNER WITHOUT THE WRITTEN CONSENT OF BEHRINGER.			



REV	DATE	INIT	FILE	NAME	DATE	NAME
A	07/07/09	YD	FILE - MAIN	BEHRINGER	2009-09-09	EVN1
B	09/09/09	YD		BEHRINGER		
E	09/09/09	YD		BEHRINGER		
B	19/10/09	QR		BEHRINGER		

PMP6000 (SMPSU29)	
PMP series power supply	
UPDATED PARTS	19/10/09
MODIFIED	09/09/09
MODIFIED	07/07/09
CHANGES	DATE
REV	INIT

ALL INFORMATION INCLUDING DRAWINGS AND DIAGRAMS CONTAINED IN THIS DOCUMENT IS THE PROPERTY OF BEHRINGER. ADDRESSES WITH THE INFORMATION IS CONFIDED TO SHALL MAINTAIN IN THE INFORMATION IN CONFIDENCE AND SHALL NOT RELEASE IT TO ANY UNAUTHORIZED THIRD PARTIES EXCEPT UNDER ATTORNEY CLIENT PRIVILEGE OR UNDER APPROPRIATE CONFIDENTIALITY AGREEMENTS. ANY UNAUTHORIZED DISCLOSURE, APPLICATION OR ANY OTHER DEALINGS IN THE INFORMATION SHALL RESULT IN CIVIL AND/OR WHERE APPLICABLE CRIMINAL LIABILITIES AND PENAL TIES.



REV	CHANGES	DATE	INIT	FILE	AUX
B	UPDATED BOARD	19/10/09	GR		
E	MODIFIED	09/06/09	YD		
A	MODIFIED	07/07/09	YD		

DATE	NAME	DATE	NAME
2009-09-09	DESIGN		
	APPR		

P0000(SMPSU29)
PMP series power supply

REV	CHANGES	DATE	INIT	FILE	AUX
B	UPDATED BOARD	19/10/09	GR		
E	MODIFIED	09/06/09	YD		
A	MODIFIED	07/07/09	YD		

BEHRINGER

BEHR

SHEET
 2 of 2

ALL INFORMATION INCLUDING DRAWINGS AND DIAGRAMS CONTAINED IN THIS DOCUMENT IS THE PROPERTY OF BEHRINGER. ADDRESSES WITH THE INFORMATION IS CONFIDED TO SHAL MAINTAIN IN THE INFORMATION IN CONFIDENCE AND SHALL NOT RELEASE IT TO ANY UNAUTHORIZED THIRD PARTIES EXCEPT UNDER ATTORNEY CLIENT PRIVILEGE OR UNDER APPROPRIATE CONFIDENTIALITY AGREEMENTS. ANY UNAUTHORIZED DISCLOSURE, REPLICATION OR ANY OTHER DEALINGS IN THE INFORMATION SHALL RESULT IN CIVIL AND/OR WHERE APPLICABLE CRIMINAL LIABILITIES AND PENAL TIES.

- R1
- R2
- R3
- R4
- R5
- R6
- R7
- R8
- R9
- R10
- R11
- R12
- R13
- R14
- R15
- R16
- R17
- R18
- R19
- R20
- R21
- R22
- R23
- R24
- R25
- R26
- R27
- R28
- R29
- R30
- R31
- R32
- R33
- R34
- R35
- R36
- R37
- R38
- R39
- R40
- R41
- R42
- R43
- R44
- R45
- R46
- R47
- R48
- R49
- R50
- R51
- R52
- R53
- R54
- R55
- R56
- R57
- R58
- R59
- R60
- R61
- R62
- R63
- R64
- R65
- R66
- R67
- R68
- R69
- R70
- R71
- R72
- R73
- R74
- R75
- R76
- R77
- R78
- R79
- R80
- R81
- R82
- R83
- R84
- R85
- R86
- R87
- R88
- R89
- R90
- R91
- R92
- R93
- R94
- R95
- R96
- R97
- R98
- R99
- R100