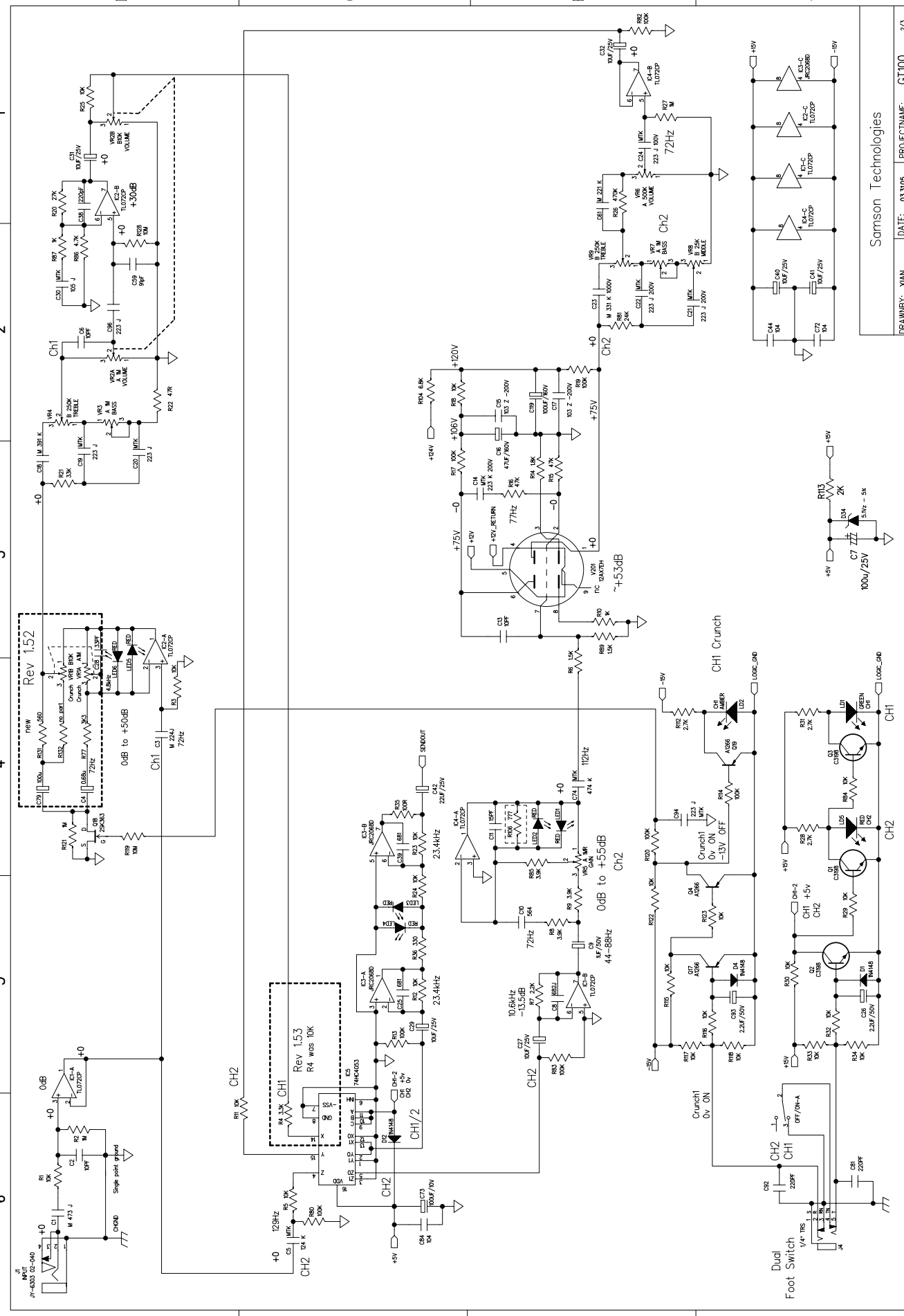


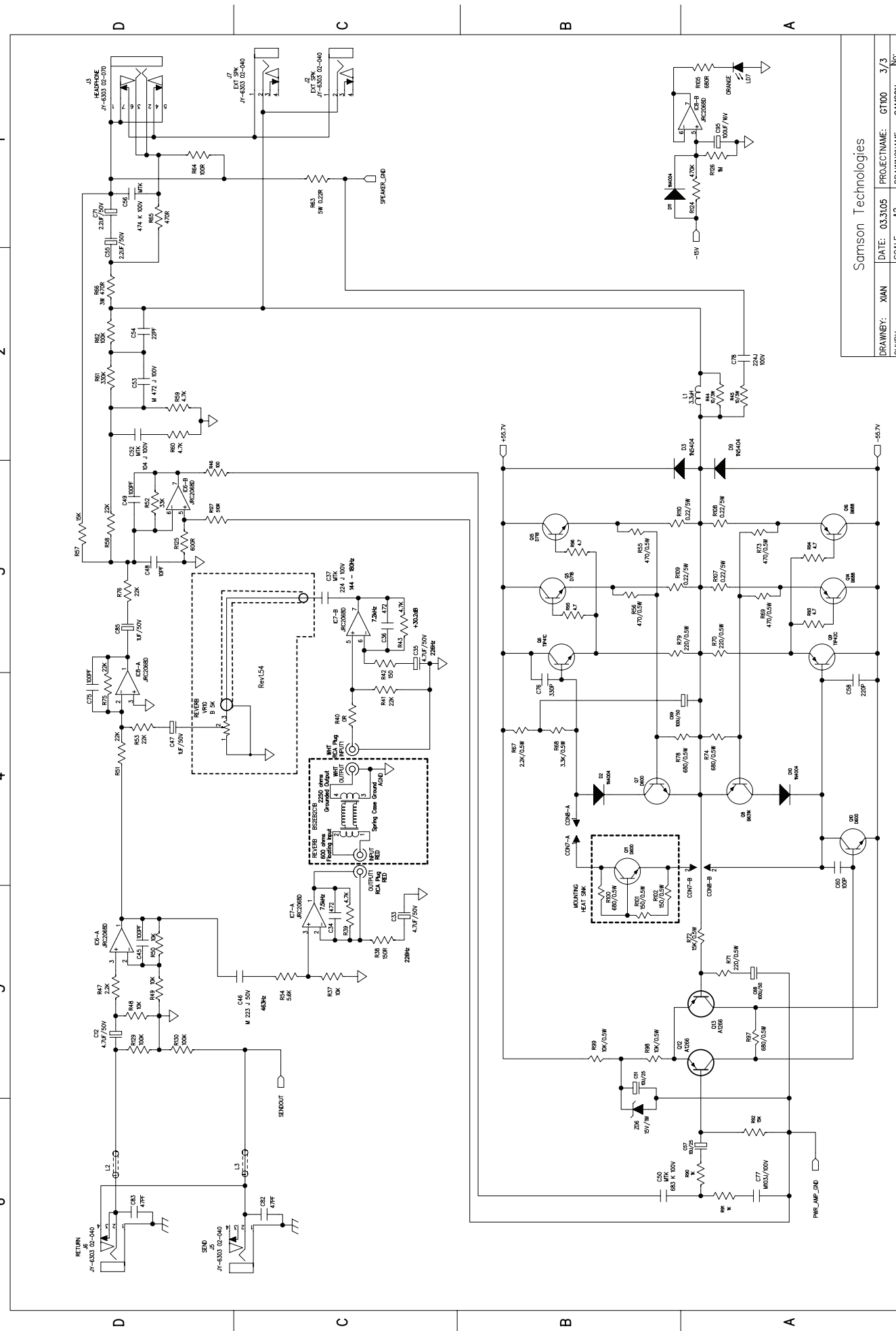
1 2 3 4 5 6



Samson Technologies

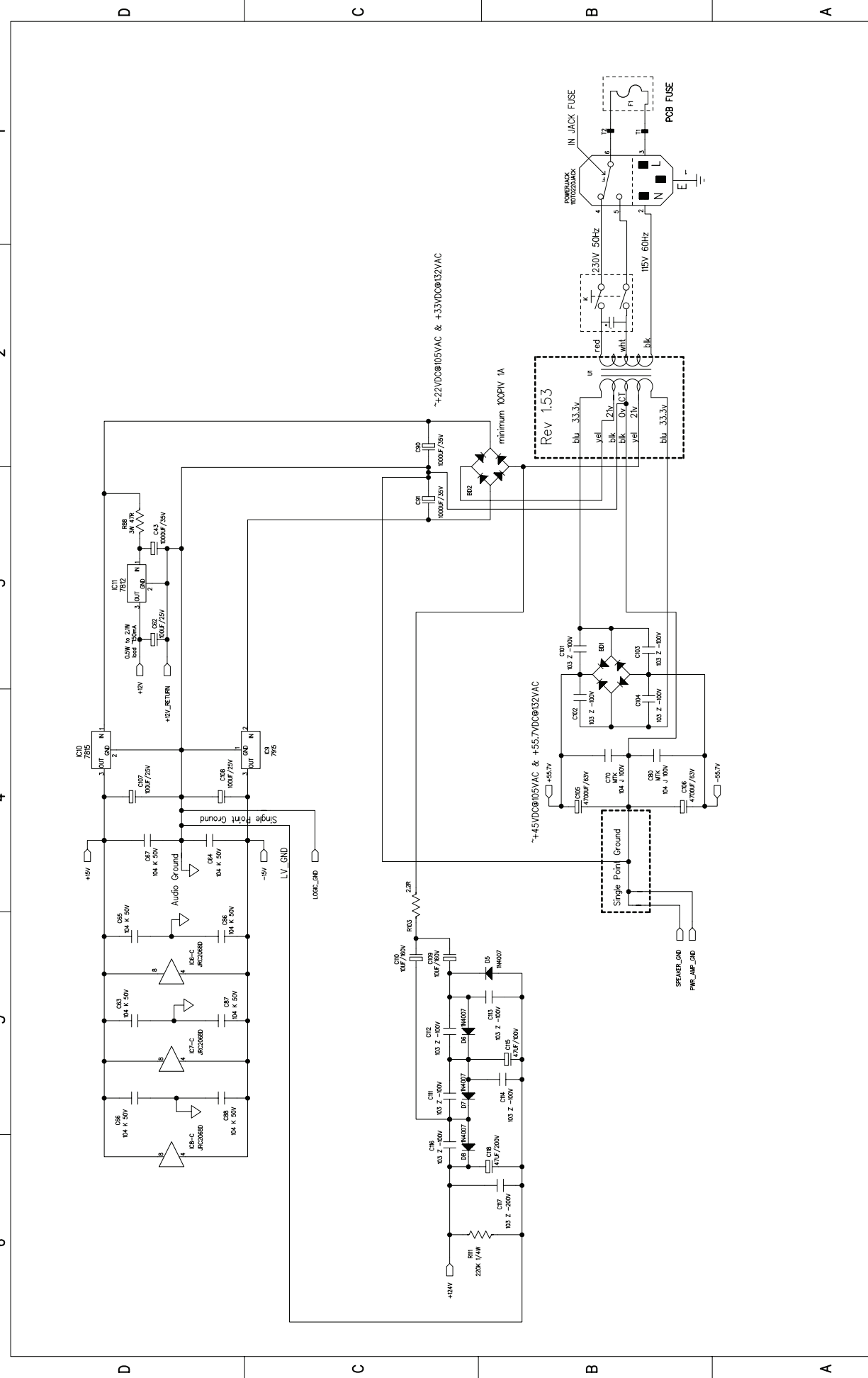
DRAWNBY: XIAN	DATE: 03.30.05	PROJECTNAME: GT100	2/3
CHKBY: A2	SCALE: A2	DRAWINGNAME: SAMSON	No. V1.54

1 2 3 4 5 6



Samson Technologies
DRAWNBY: XIAN DATE: 03.31.05 PROJECTNAME: GT100 3/3
CHECKY: SCALE: A2 DRAWINGNAME: SAMSON No: V1.54

1 2 3 4 5 6



Samson Technologies
 DRAWNBY: XIAN DATE: 03.31.05 PROJECTNAME: GT100 1/3
 CHECKY: SAMSON SCALE: A2 DRAWINGNAME: No: V154