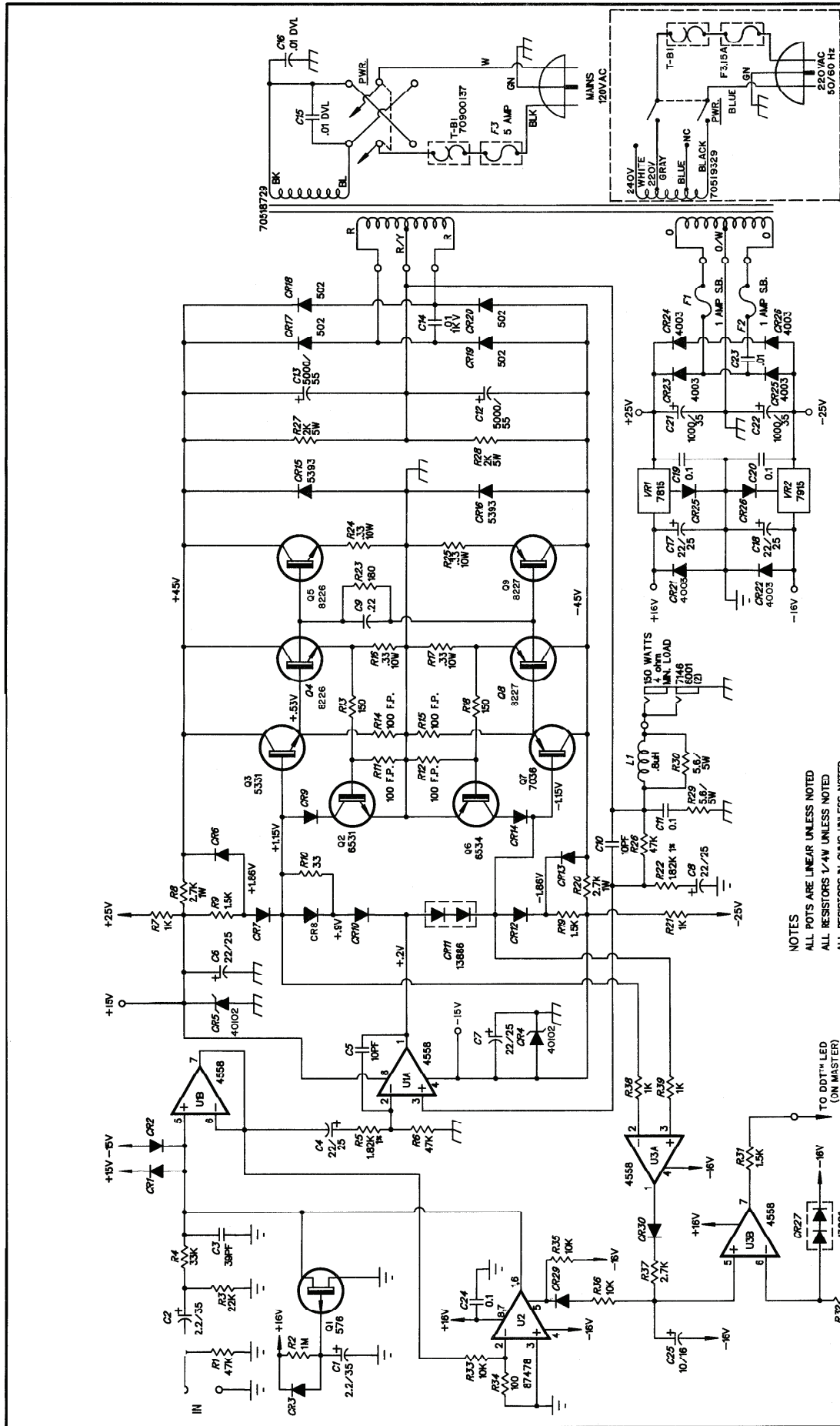


KB 300
 PEAVEY ELECTRONICS CORP.
 1000 W. 100th ST., WYOMING, NEB.
 OUTPUT NO. 448851140 (8-22-80)

PEAVEY ELECTRONICS CORP.
 DRAWN BY: *[Signature]*
 C.E. BY: *[Signature]*
 DATE: 12-11-81
 APPR. BY: *[Signature]*

P.N. 81811400

COPYRIGHT 1989 PEAVEY ELECTRONICS CORP. PRINTED IN U.S.A.



300 CH™ MODULE
 BD.# 98830040 (4/10/65)

- NOTES**
- ALL POTS ARE LINEAR UNLESS NOTED
 - ALL RESISTORS 1/4W UNLESS NOTED
 - ALL RESISTORS IN OHMS UNLESS NOTED
 - ALL CAPACITORS IN MFD UNLESS NOTED
 - ALL DIODES 1N4148 UNLESS NOTED
 - LAST REF. DESIGNATOR USED:
 - R32 CR26 C21 Q9 F3 L1

BUILT UNDER U.S. PATENT NO. 3,318,053

© 1986 PEAVEY ELECTRONICS CORP. PRINTED IN U.S.A.

| |
|--|
| PEAVEY ELECTRONICS CORP. |
| MERIDIAN, MS |
| DRAWN BY <i>[Signature]</i> DATE 9/17/64 |
| C.B. CK <i>[Signature]</i> |
| APPR BY <i>[Signature]</i> |

P/N 81505175

