

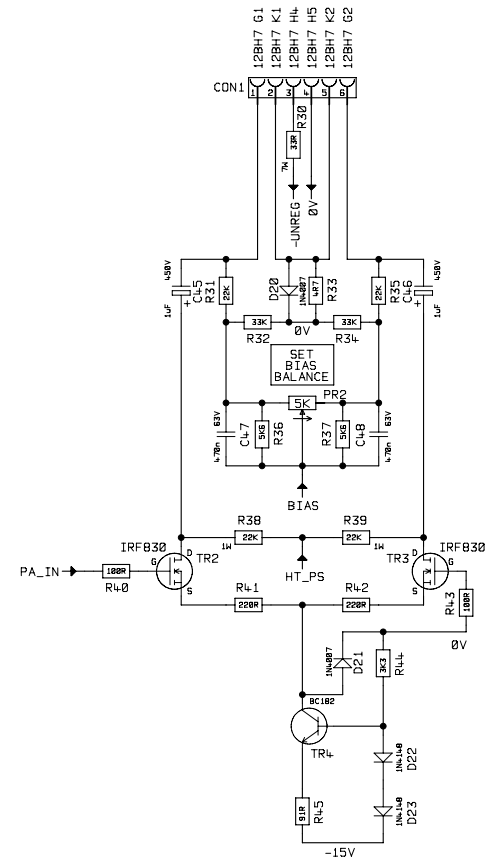
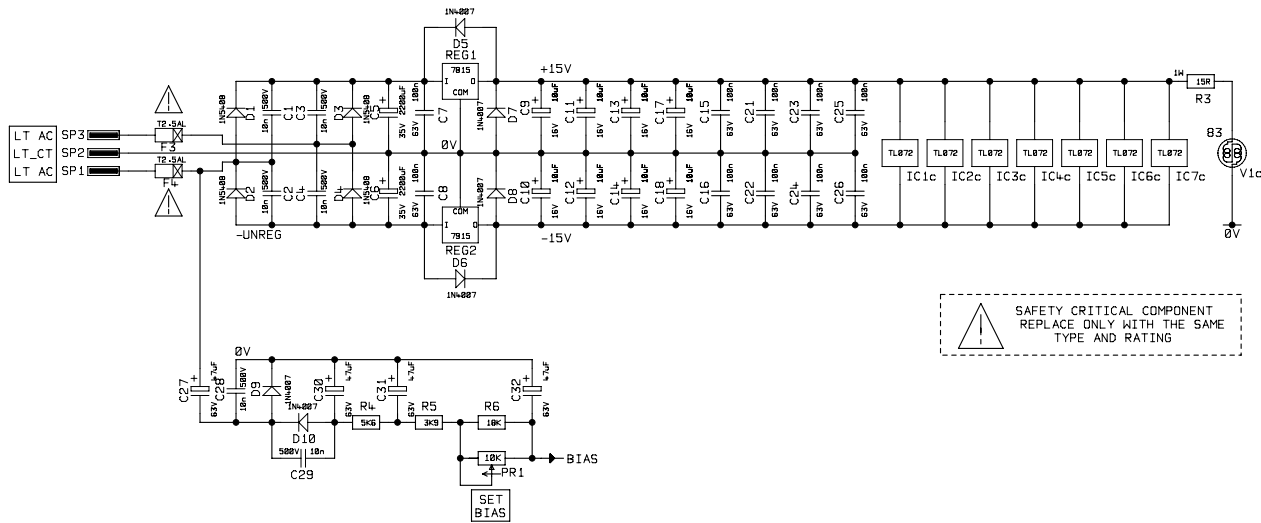
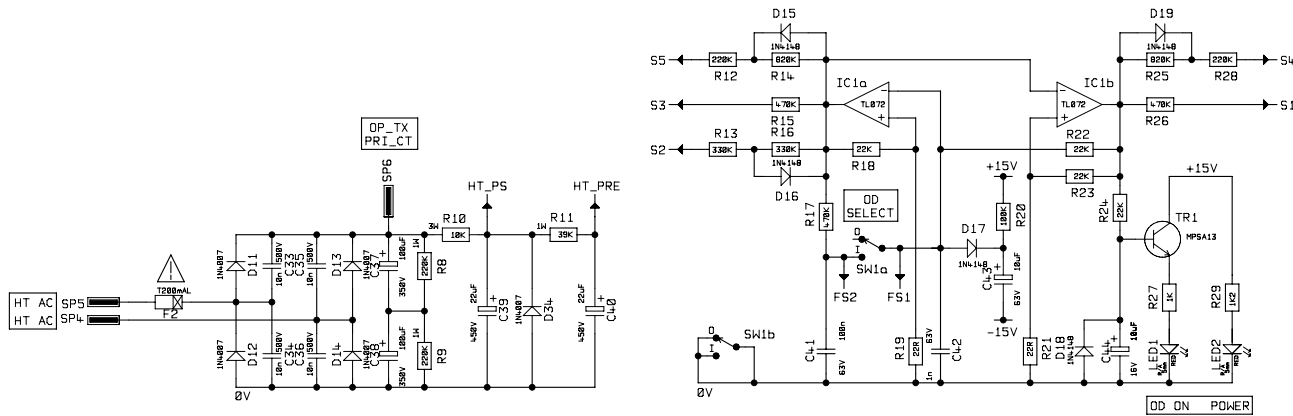
OPEN/CLOSED
EMULATION

3	R93 CHANGE TO 2K2	10.12.08
2	R69 CHANGE TO 47K	22.10.08
ISS	ECO NUMBER	DATE

FBM PRODUCTS
 COPYRIGHT EXISTS ON THIS DOCUMENT.
 IT MUST NOT BE USED FOR ANY PURPOSE
 OTHER THAN THAT FOR WHICH IS HAS SUPPLIED
 AND MUST NOT BE COPIED OR DISCLOSED
 IN WHOLE OR IN PART WITHOUT
 THE WRITTEN PERMISSION OF FBM PRODUCTS.

DWG No:	HT-5_ELEC_SCHE_00.DWG	ISS:	3
DRAWN BY:	B. KEIR	DATE:	10.12.2008
CHECKED BY:		DATE:	
APPROVED BY:		DATE:	

TITLE:	HT-5 FRONT PCB.
MODEL:	



SAFETY CRITICAL COMPONENT
REPLACE ONLY WITH THE SAME
TYPE AND RATING

3	R93 CHANGE TO 2K2	10.12.08
2	R69 CHANGE TO 47K	22.10.08
ISS	ECO NUMBER	DATE

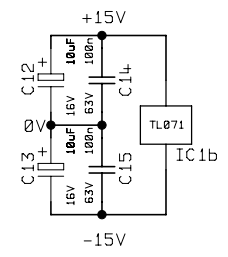
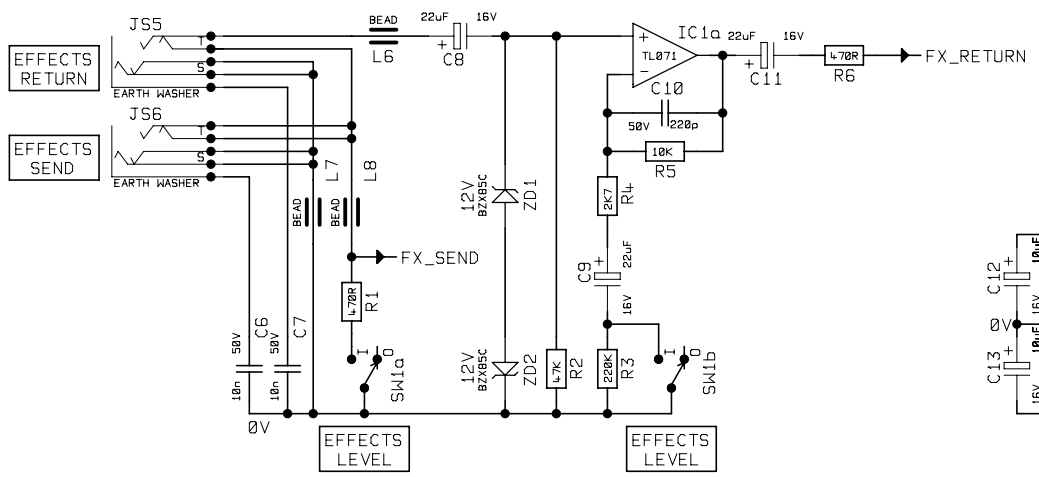
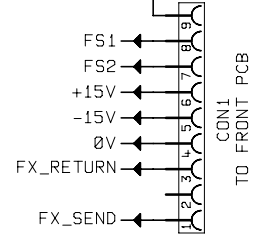
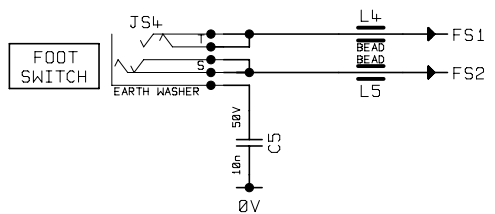
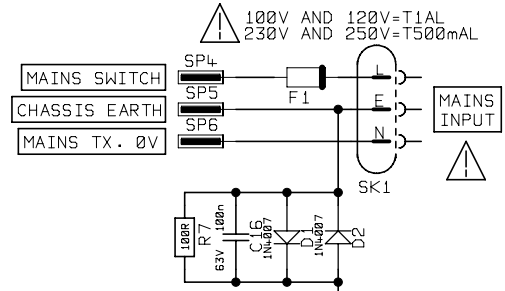
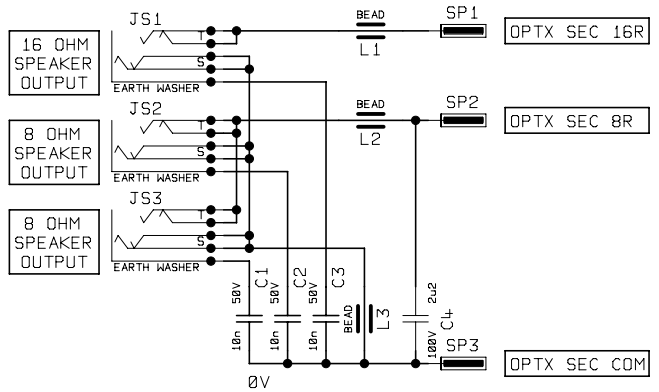
FBM PRODUCTS

COPYRIGHT EXISTS ON THIS DOCUMENT.
IT MUST NOT BE USED FOR ANY PURPOSE
OTHER THAN THAT FOR WHICH IT WAS SUPPLIED
AND MUST NOT BE COPIED OR DISCLOSED
IN WHOLE OR IN PART WITHOUT
THE WRITTEN PERMISSION OF FBM PRODUCTS.

DWG No:	HT-5_ELEC_SCHE_00.DGM
DRAWN BY:	B. KEIR
CHECKED BY:	
APPROVED BY:	

ISS:	3
DATE:	10.12.2008
DATE:	
DATE:	

TITLE:	HT-5 FRONT PCB.
MODEL:	



SAFETY CRITICAL COMPONENT
 REPLACE ONLY WITH THE SAME
 TYPE AND RATING

ISS	ECD NUMBER	DATE

FBM PRODUCTS
COPYRIGHT EXISTS ON THIS DOCUMENT
 IT MUST NOT BE USED FOR ANY PURPOSE
 OTHER THAN THAT FOR WHICH IS HAS SUPPLIED
 AND MUST NOT BE COPIED OR DISCLOSED
 IN WHOLE OR IN PART WITHOUT
 THE WRITTEN PERMISSION OF FBM PRODUCTS

DWG No:	HT-5_ELEC_SCHE_01.dgm
DRAWN BY:	B. KEIR
CHECKED BY:	
APPROVED BY:	

ISS: 1	TITLE:
DATE: 10.04.2008	HT-5 BACK PCB.
DATE:	MODEL:
DATE:	