

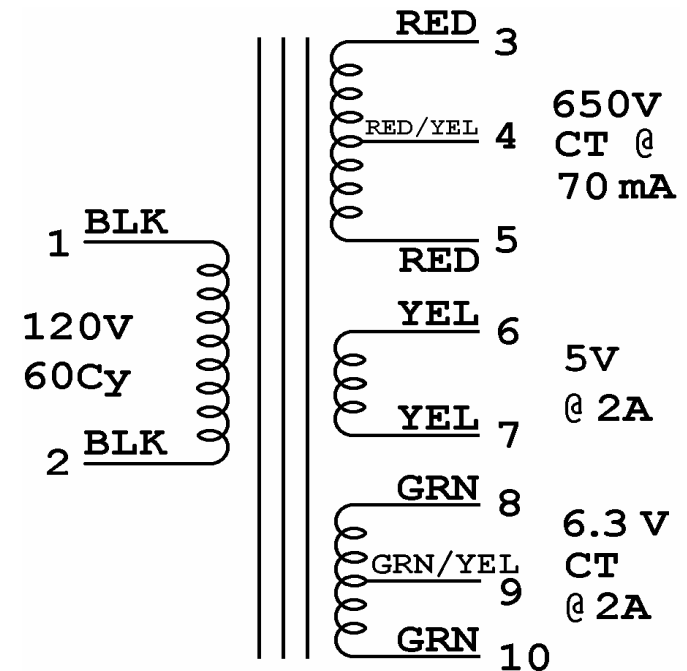
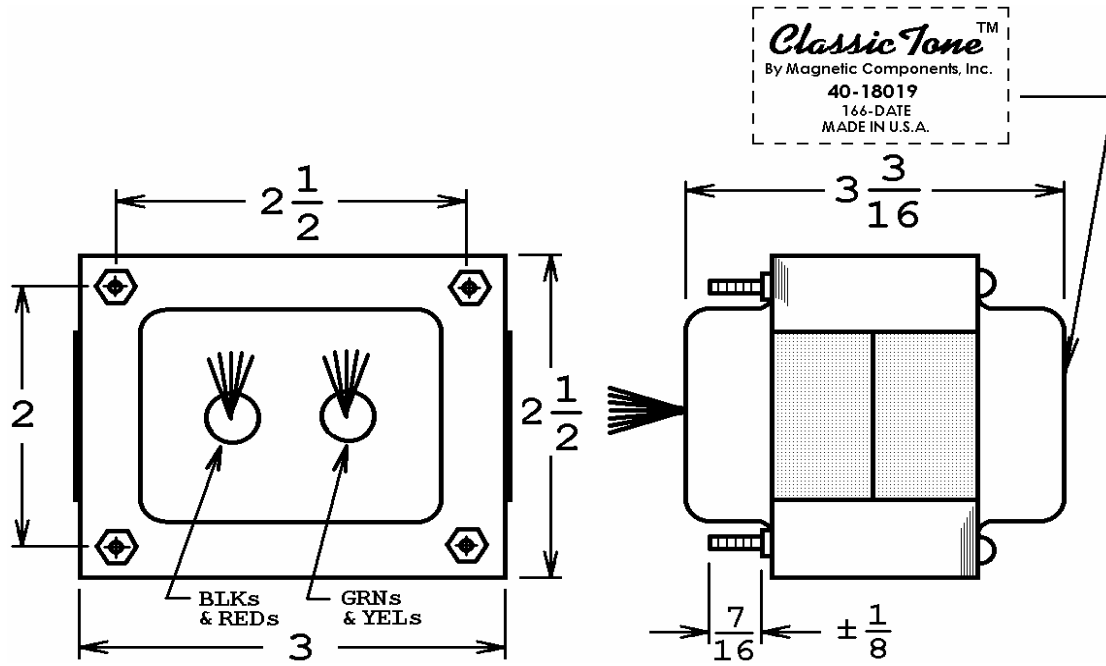
40-18019

This drawing is the property of Magnetic Components, Inc. and shall not be reproduced, in whole or in part, without the written permission of Magnetic Components, Inc.

REVISIONS			
LTR	DESCRIPTION	DATE	APPROVED
A	ADD MOUNTING HARDWARE NOTE, B+ VOLTAGES	10/27/11	M. Sacketti

MEASURED B+ VOLTAGES @ 70mA DC

RECTIFIER	B+
5Y3GT	383V DC
5AR4/GZ34	392V DC



USE FOUR # 8-32 HEX NUTS (NOT SUPPLIED) FOR CHASSIS MOUNTING. PLEASE DO NOT REMOVE EXISTING HEX NUTS.

CHAMP
BRONCO
VIBRO-CHAMP
PRINCETON
PRINCETON REVERB

UNLESS OTHERWISE SPECIFIED		SIGNATURES		DATE		MAGNETIC COMPONENTS, INC.		DIV :		
ALL DIMENSIONS IN INCHES DO NOT SCALE DRAWING		DRAWN : <i>M.S.</i>		05 NOV 10		TITLE		LOC : SCHILLER PK		
FRACTIONS +/-		CHECK :				CHAMP POWER TRANSFORMER				
.X = +/-		APPR : <i>M. Sacketti</i>		05 NOV 10		CAGE	50508	SIZE	PART No.	REV
.XX = +/-						SCALE	NONE	A	40-18019	A
.XXX = +/-								SHEET :		
ANGLES = +/-										