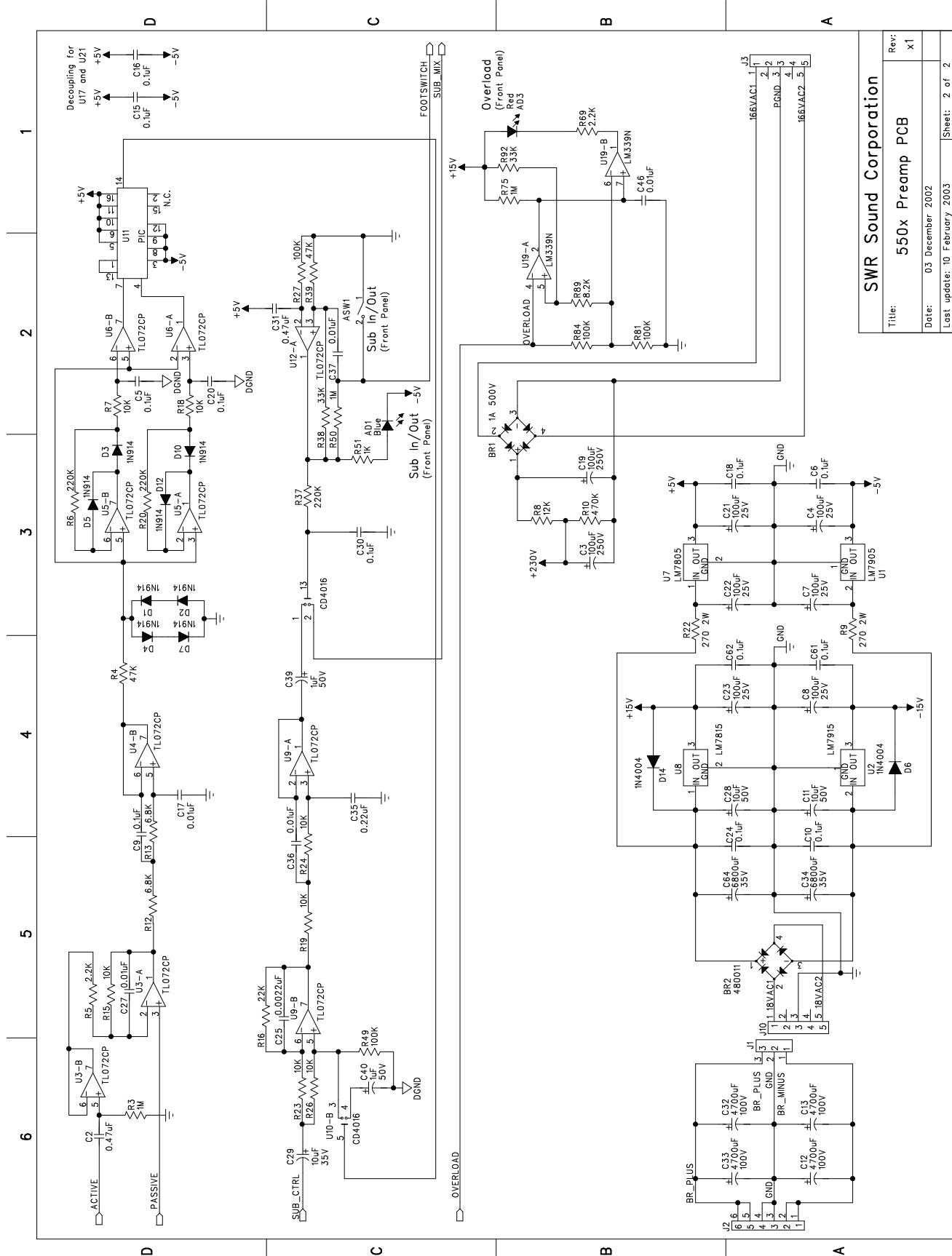


Please note:
 1-> Unless otherwise noted, all resistors are 1/4 Watt, 5%
 2-> A "A" reference designator prefix denotes a location other than on the PCB.

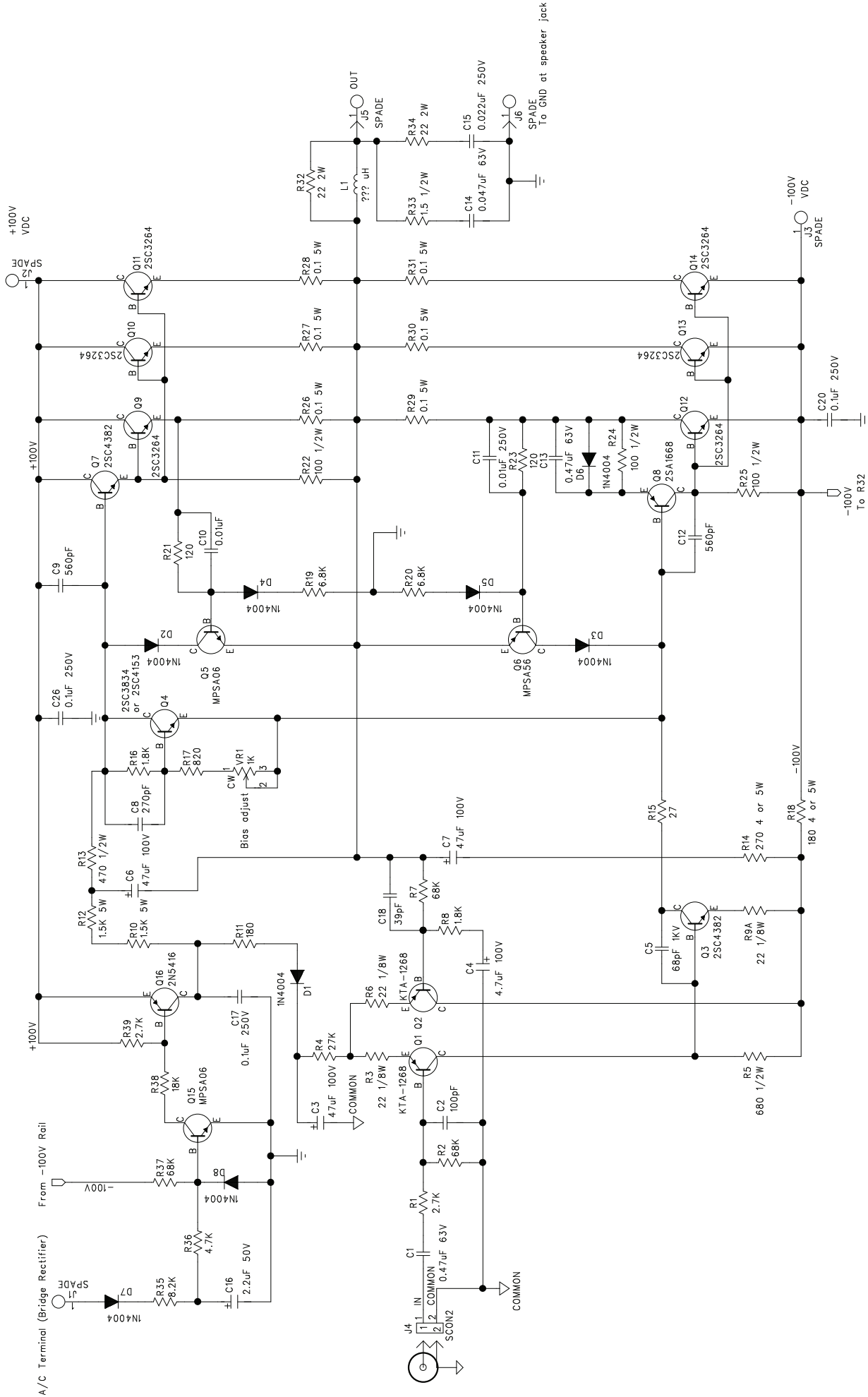
- Spare parts:
- 10. U10-D CD4016
 - 11. U10-D CD4016
 - 8. U10-C CD4016
 - 9. U10-C CD4016
 - U19-D LM339N
 - U19-C LM339N
 - U19-B LM339N
 - U19-A LM339N

SWR Sound Corporation	
Title:	550x Preamp PCB
Rev:	x1
Date:	03 December 2002
Last update:	10 February 2003
Sheet: 1 of 2	

PCB - 170063-x1 Production release Assembly - 700076



SWR Sound Corporation	
Title:	550x Preamp PCB
Rev:	x1
Date:	03 December 2002
Last update:	10 February 2003
Sheet:	2 of 2



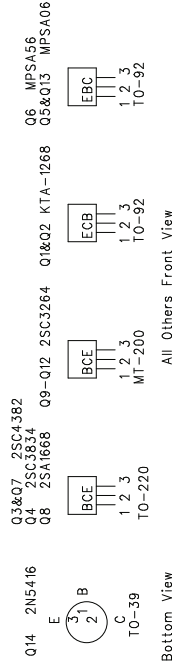
SWR Sound Corp.

SWR750 – Power Amp Module

June 2002 Revision E Page 1 of 1

NOTES (Unless otherwise specified):

1. All resistor in ohms, 1/4 watt, 5%
2. PCB part # for all units is 170033B
Module is 700051



Bottom View